



US00D504404S

(12) **United States Design Patent**
Ishida

(10) **Patent No.:** **US D504,404 S**
(45) **Date of Patent:** **** Apr. 26, 2005**

(54) **LIGHT EMITTING DIODE**
(75) **Inventor:** **Masashi Ishida, Naka-gun (JP)**
(73) **Assignee:** **Nichia Corporation, Anan-shi (JP)**
(**) **Term:** **14 Years**
(21) **Appl. No.:** **29/183,011**
(22) **Filed:** **Jun. 5, 2003**

JP D1077515 S 7/2000
JP D1170087 S 4/2003
JP D1170881 S 4/2003
JP D1171193 S 4/2003
JP D1171195 S 4/2003
JP D1171196 S 4/2003
JP D1171707 S 4/2003
JP D1171709 S 4/2003
JP D1171710 S 4/2003
KR 30-0294490 S 3/2002
KR 30-0294490-1 S 3/2002

(30) **Foreign Application Priority Data**

Apr. 7, 2003 (JP) 2003-009700

(51) **LOC (7) Cl.** **13-03**
(52) **U.S. Cl.** **D13/180**
(58) **Field of Search** D13/180, 182;
257/76, 79, 88, 89, 93-99, 434, 676, 678,
687, 690, 698, 787; 313/498, 499, 500;
362/760, 820, 226, 241, 249, 250, 307,
555, 800

* cited by examiner

Primary Examiner—Stella Reid
Assistant Examiner—Selina Sikder
(74) *Attorney, Agent, or Firm*—Smith Patent Office

(56) **References Cited**

U.S. PATENT DOCUMENTS

D482,337 S * 11/2003 Kamada D13/182
D489,677 S * 5/2004 Ishida D13/100
D489,690 S * 5/2004 Ishida D13/180
D489,691 S * 5/2004 Ishida D13/180
D489,692 S * 5/2004 Ishida D13/180
D489,693 S * 5/2004 Ishida D13/180
D490,062 S * 5/2004 Ishida D13/180
D490,384 S * 5/2004 Ishida D13/180
D490,385 S * 5/2004 Ishida D13/180
D490,386 S * 5/2004 Ishida D13/180
D490,783 S * 6/2004 Ishida D13/180
D490,784 S * 6/2004 Ishida D13/180
D491,538 S * 6/2004 Ishida D13/182
2002/0149314 A1 * 10/2002 Takahashi et al. 313/500

FOREIGN PATENT DOCUMENTS

JP D984224-1 S 10/1997

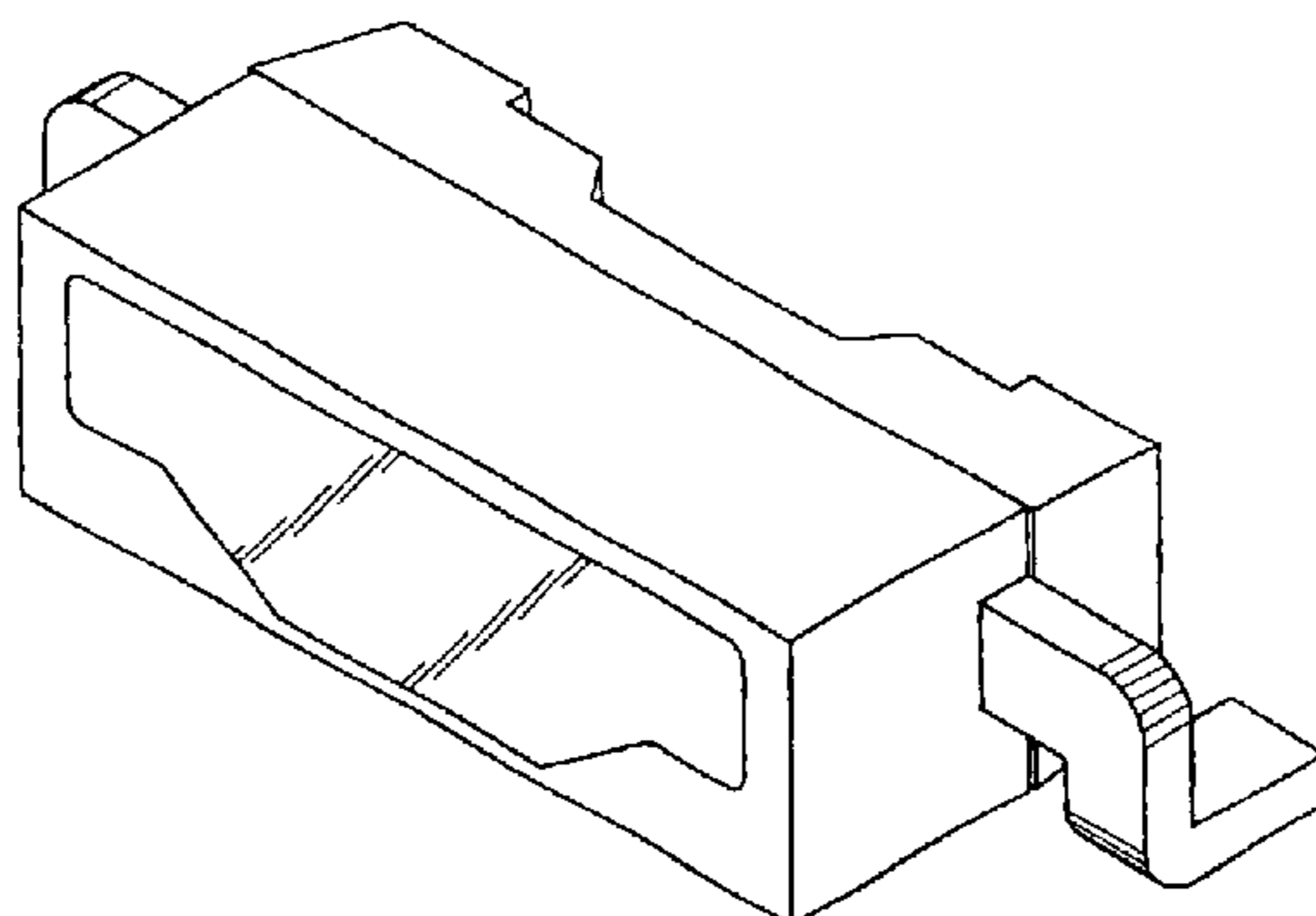
(57) **CLAIM**

I claim the ornamental design for the light emitting diode, as shown and described.

DESCRIPTION

FIG. 1 is a perspective view of a light emitting diode showing my new design;
FIG. 2 is a top plan view of the light emitting diode according to the embodiment of FIG. 1;
FIG. 3 is a left view of the light emitting diode according to the embodiment of FIG. 1;
FIG. 4 is a front elevational view of the light emitting diode according to the embodiment of FIG. 1;
FIG. 5 is a right view of the light emitting diode according to the embodiment of FIG. 1;
FIG. 6 is a bottom plan of the light emitting diode according to the embodiment of FIG. 1; and,
FIG. 7 is a rear elevational view of the light emitting diode according to the embodiment of FIG. 1.

1 Claim, 2 Drawing Sheets



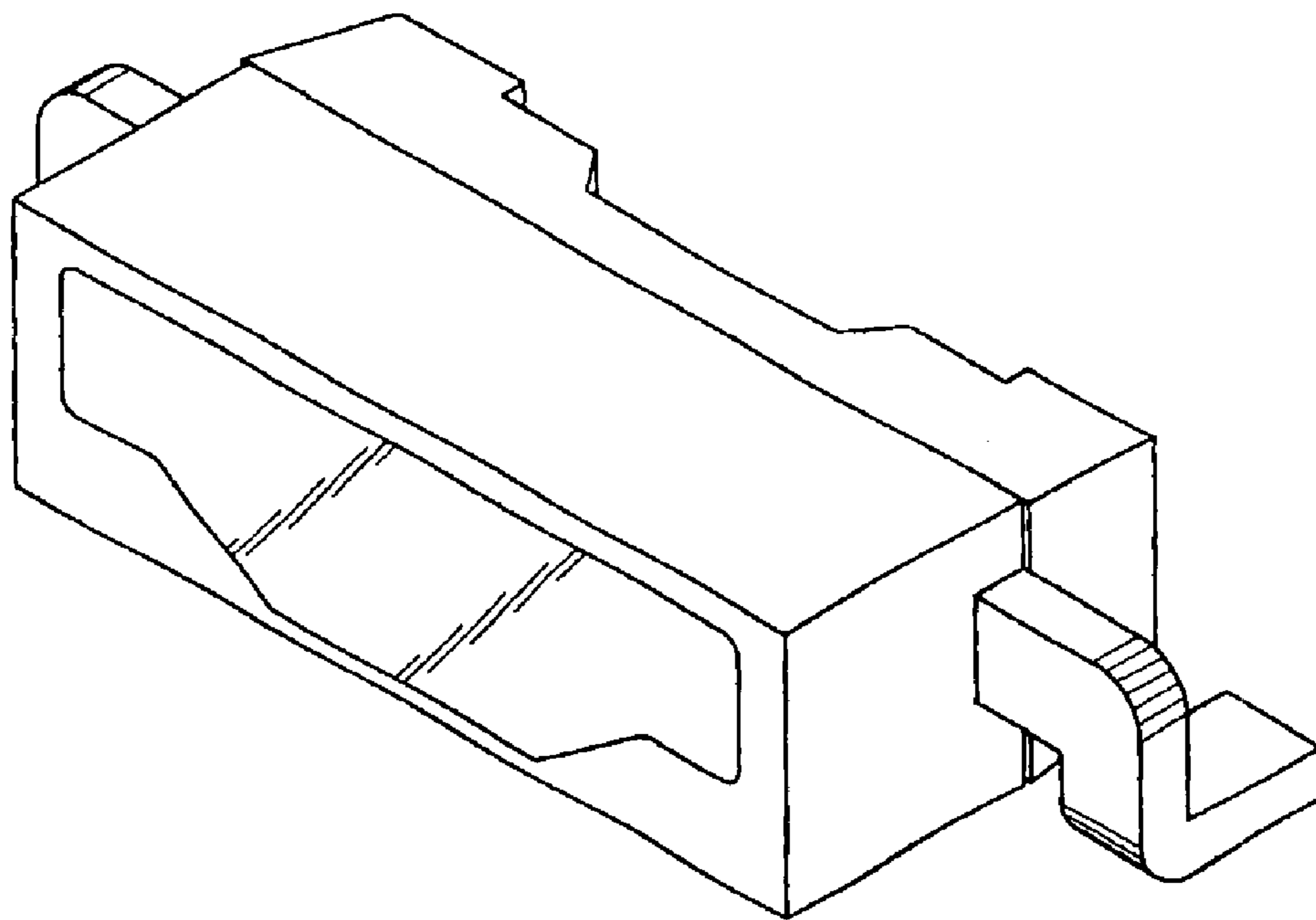


FIG. 1



FIG. 2

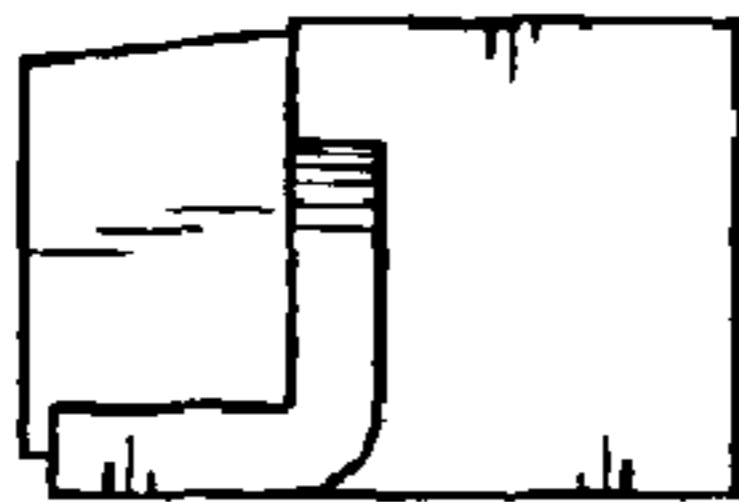


FIG. 3

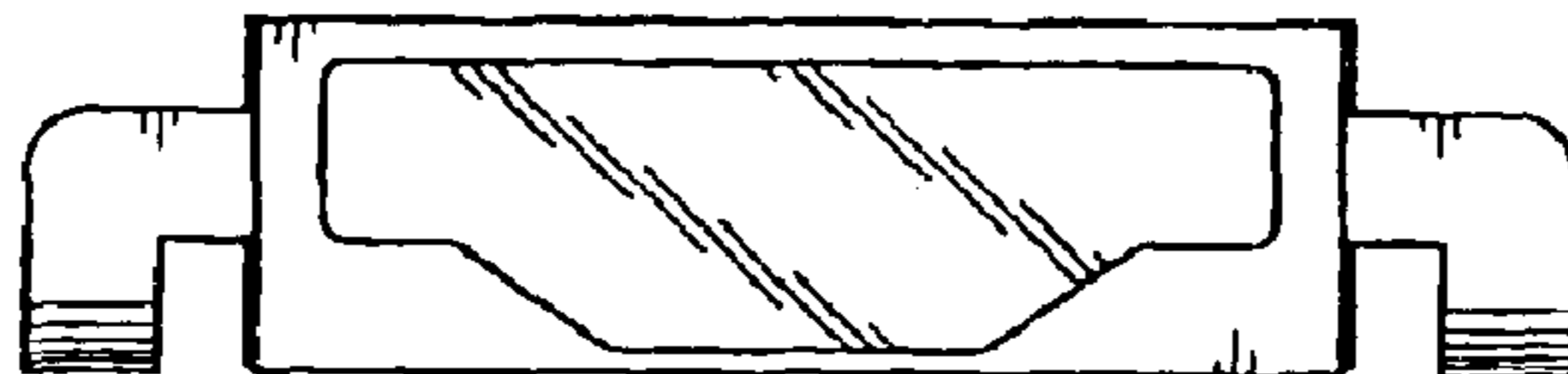


FIG. 4

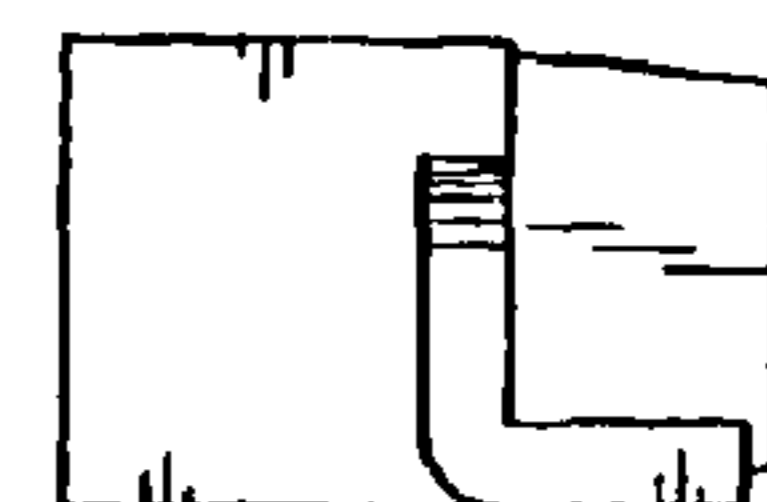


FIG. 5

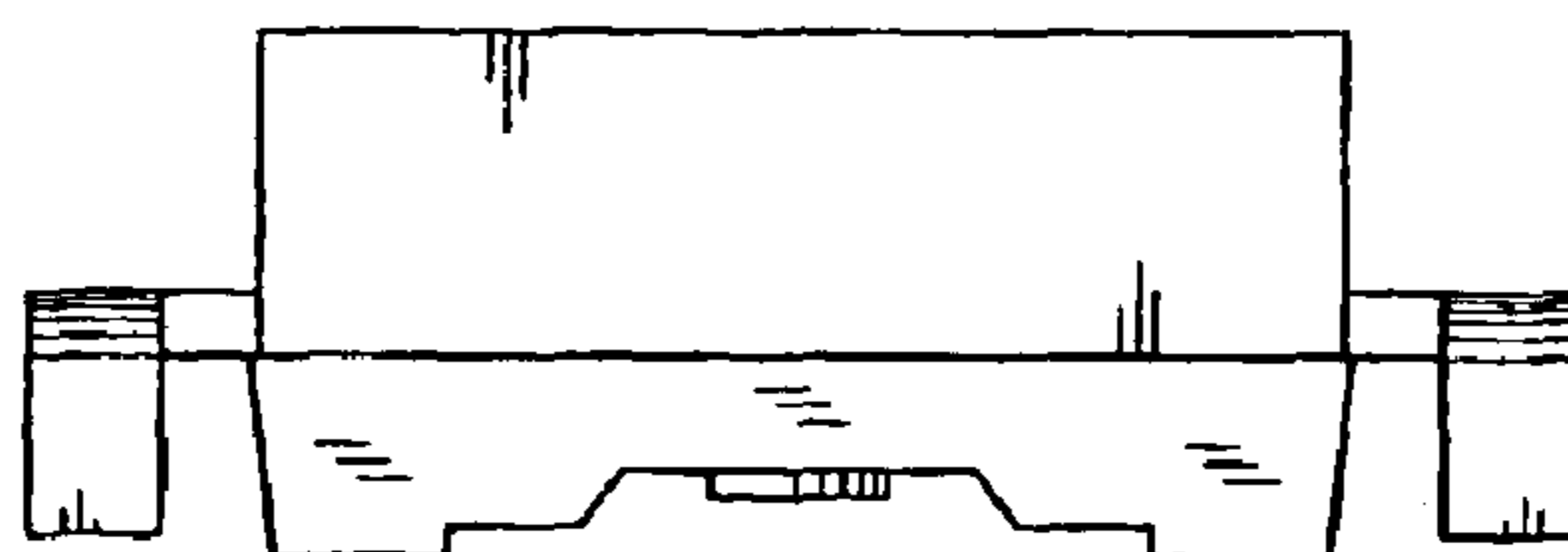


FIG. 6

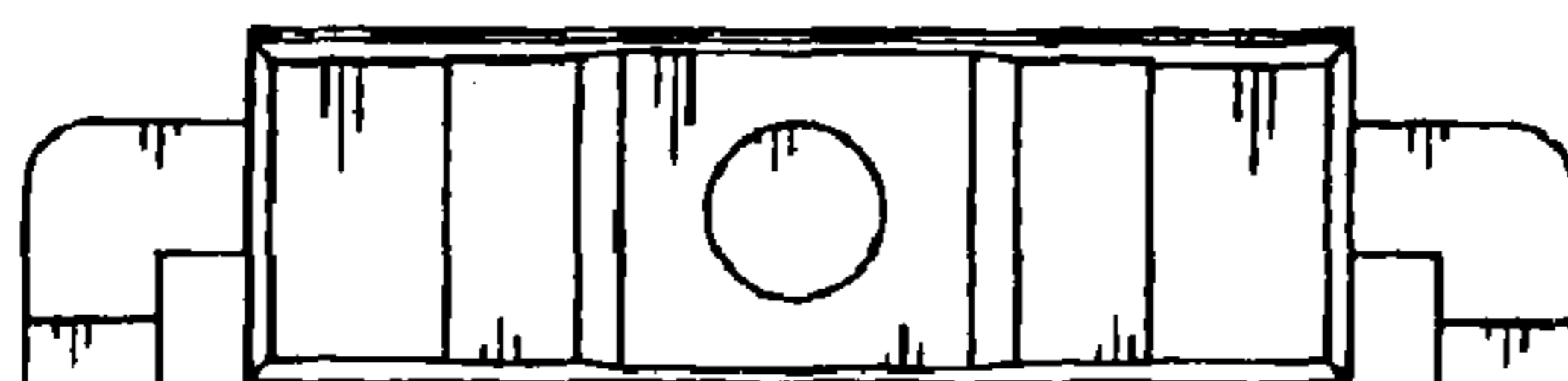


FIG. 7