

US00D504403S

(12) **United States Design Patent**
Savicki, Jr. et al.

(10) **Patent No.: US D504,403 S**
(45) **Date of Patent: ** Apr. 26, 2005**

(54) **ELECTRICAL DEVICE**
(75) **Inventors: Gerald R. Savicki, Jr., Canastota, NY (US); Kenneth D. Vought, Syracuse, NY (US); Yann Kulp, Liverpool, NY (US)**
(73) **Assignee: Pass & Seymar, Inc., Syracuse, NY (US)**
(**) **Term: 14 Years**

3,432,611 A	*	3/1969	Gaines et al.	174/66
4,221,941 A	*	9/1980	Genovese	200/457
4,242,551 A	*	12/1980	Sorenson	200/302.3
D302,546 S	*	8/1989	Ellis, Jr.	D13/164
D331,742 S	*	12/1992	Fujiyoshi	D13/169
5,414,231 A	*	5/1995	Sato et al.	200/1 R
D394,042 S	*	5/1998	Hwang	D13/171
5,783,787 A	*	7/1998	Data	200/5 R
5,895,888 A	*	4/1999	Arenas et al.	174/66
6,309,248 B1	*	10/2001	King	439/535
D472,525 S	*	4/2003	Barone	D13/169
6,586,694 B2	*	7/2003	Shotey et al.	200/333

(21) **Appl. No.: 29/213,075**
(22) **Filed: Sep. 13, 2004**

Related U.S. Application Data

(60) Division of application No. 29/198,262, filed on Jan. 27, 2004, and a continuation-in-part of application No. 10/729,566, filed on Dec. 5, 2003, and a continuation-in-part of application No. 10/726,173, filed on Dec. 2, 2003.

(51) **LOC (7) Cl. 13-03**
(52) **U.S. Cl. D13/169**
(58) **Field of Search D13/169, 170, D13/171, 174, 177, 164, 139.1, 139; D8/350, 353, 1 R, 6 R, 5 A, 5 R, 296, 302.3, 315, 330, 334, 339, 341, 520, 525, 553; 335/205; 439/491, 535**

(56) **References Cited**
U.S. PATENT DOCUMENTS

D210,590 S * 3/1968 Edmisson D8/353

* cited by examiner

Primary Examiner—Stella Reid
Assistant Examiner—Selina Sikder
(74) *Attorney, Agent, or Firm*—William Greener; Bond, Schoeneck & King PLLC

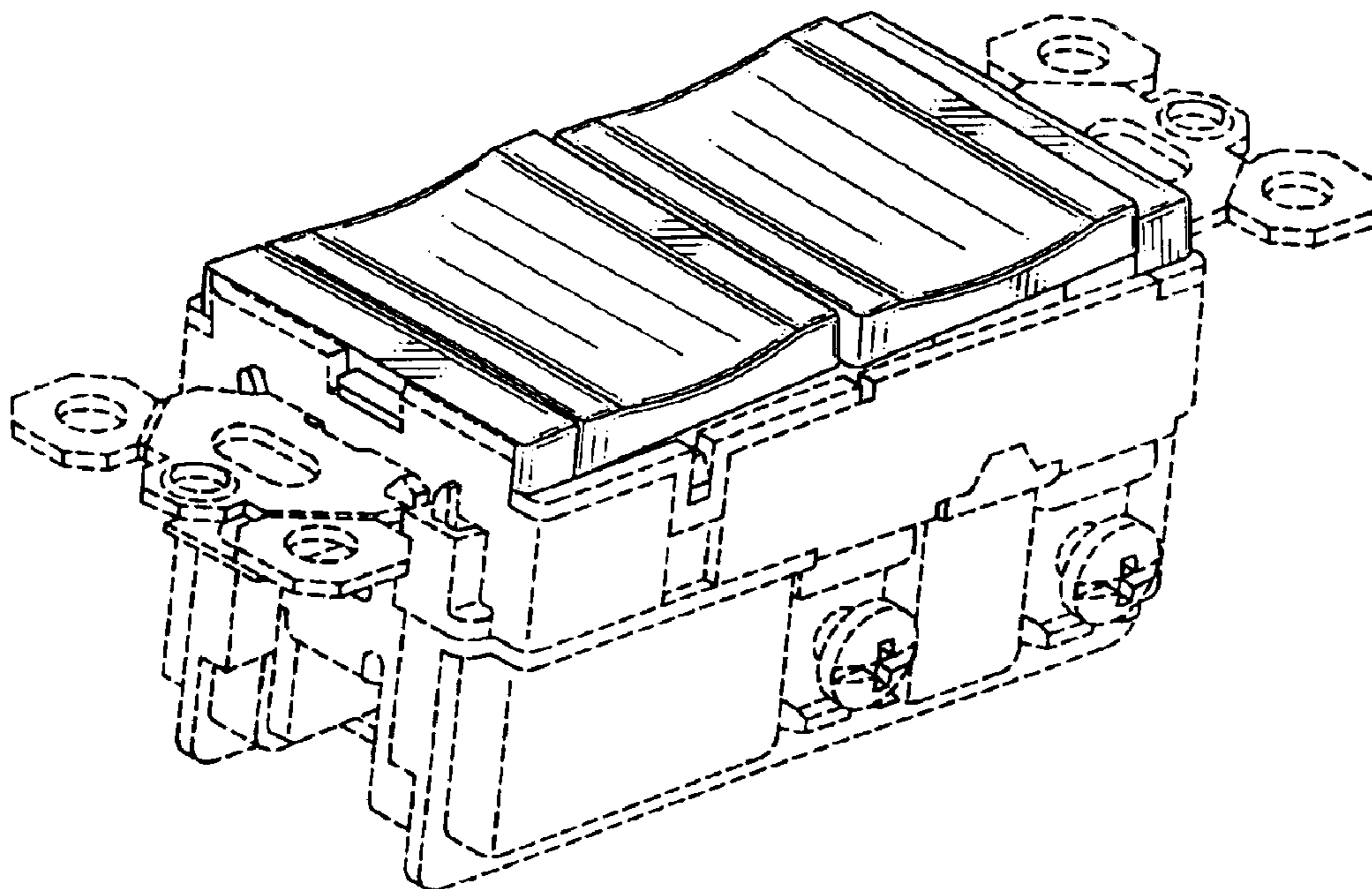
(57) **CLAIM**

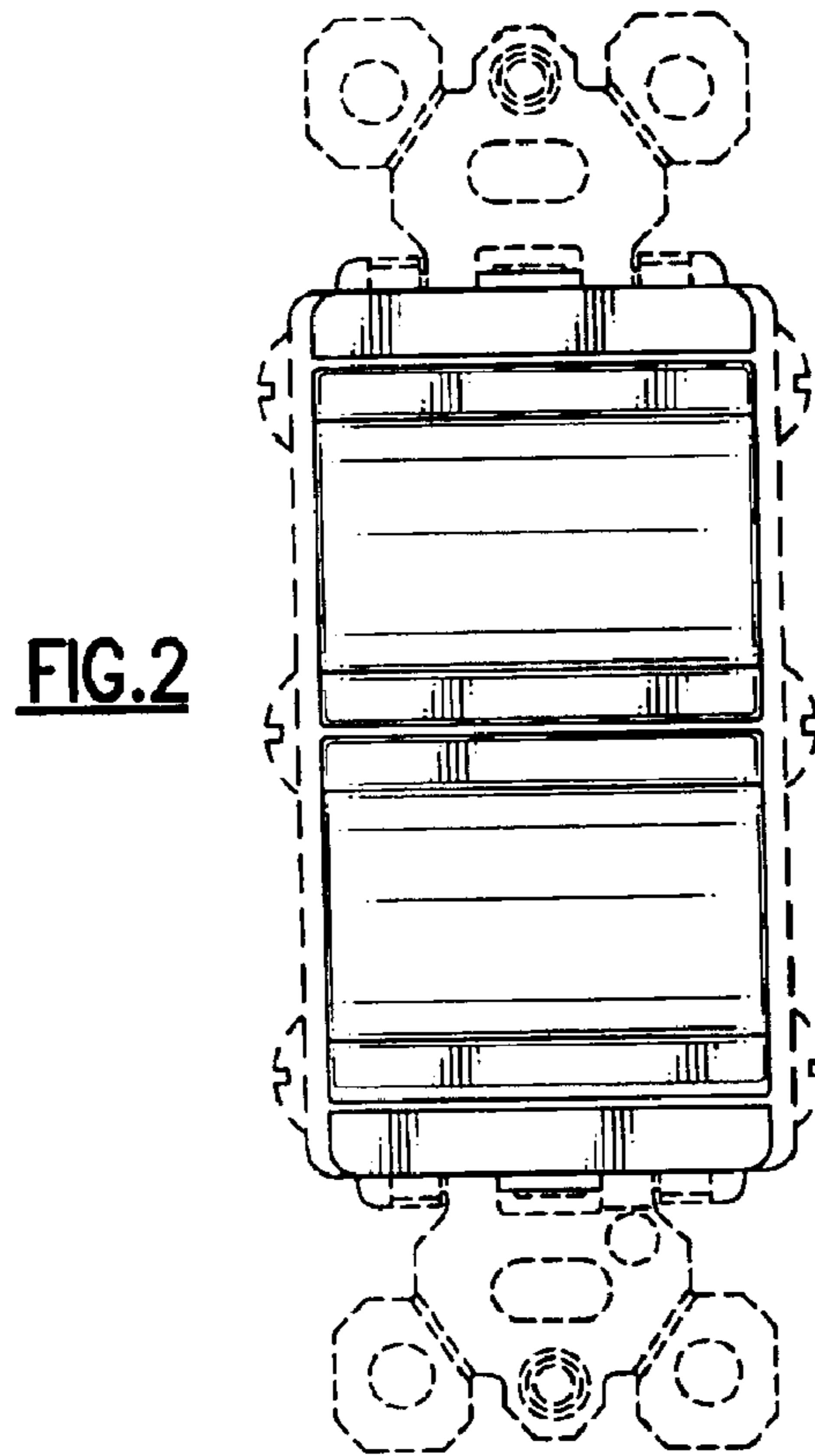
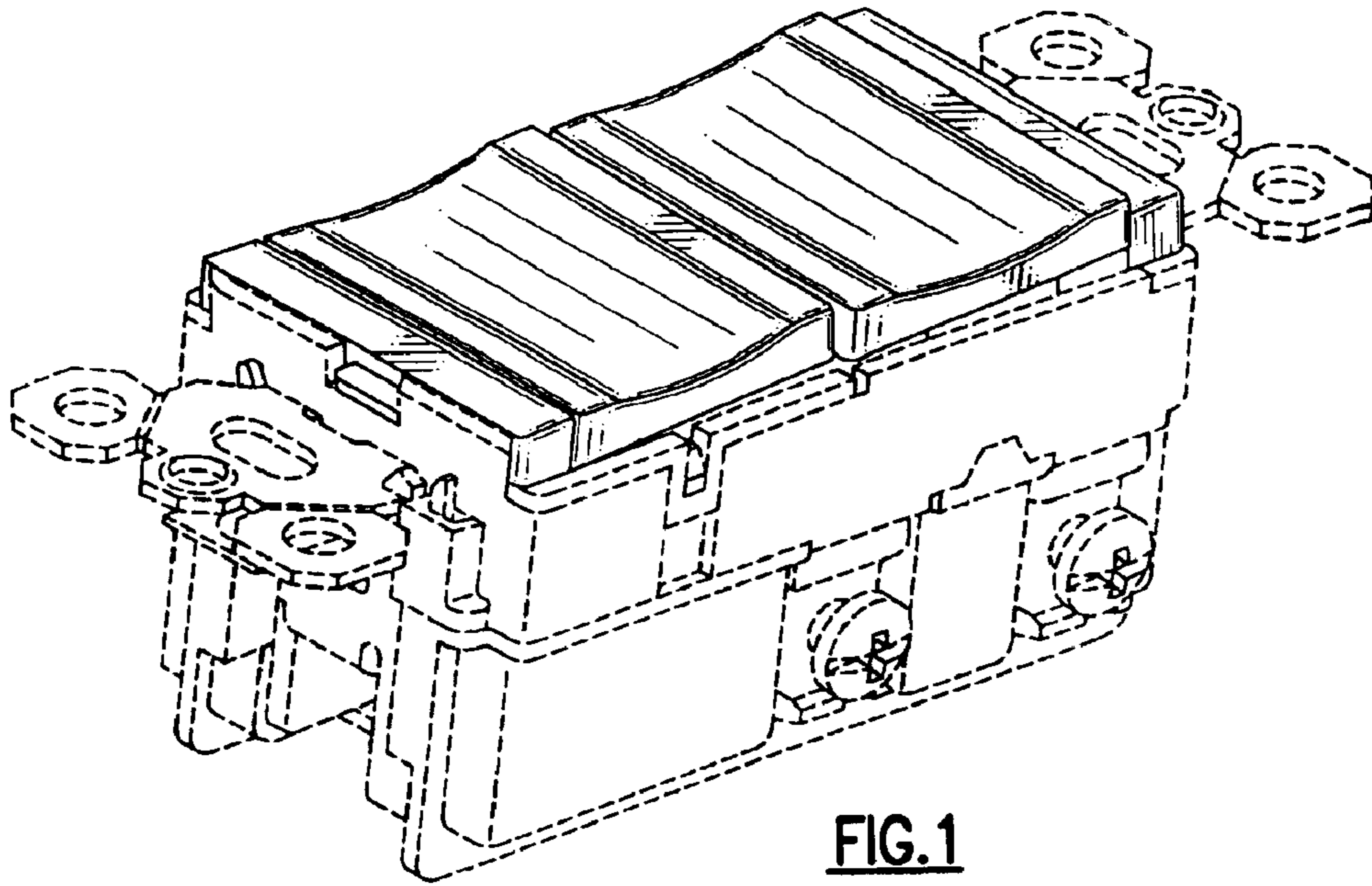
The ornamental design for an electrical device, as shown and described.

DESCRIPTION

FIG. 1 is a perspective view of an electrical device showing our new design; and, FIG. 2 is a front elevation view of the electrical device. In FIGS. 1 and 2, the broken line illustrations of the environmental structure form no part of the claimed invention.

1 Claim, 1 Drawing Sheet





UNITED STATES PATENT AND TRADEMARK OFFICE
CERTIFICATE OF CORRECTION

PATENT NO. : Des. 504,403 S
DATED : April 26, 2005
INVENTOR(S) : Gerald R. Savicki, Jr., Kenneth D. Vought and Yann Kulp

Page 1 of 1

It is certified that error appears in the above-identified patent and that said Letters Patent is hereby corrected as shown below:

Title page.

Item [73], Assignee, should read -- **Pass & Seymour, Inc.**, Syracuse, NY (US) --.

Signed and Sealed this

Sixth Day of September, 2005

A handwritten signature in black ink on a light gray dotted background. The signature reads "Jon W. Dudas" in a cursive style.

JON W. DUDAS

Director of the United States Patent and Trademark Office