



US00D504400S

(12) **United States Design Patent**
Lai et al.

(10) **Patent No.: US D504,400 S**

(45) **Date of Patent: ** Apr. 26, 2005**

(54) **RECEPTACLE CONNECTOR ASSEMBLY**

(75) Inventors: **Ming Chun Lai**, Tucheng (TW); **Jizu Luo**, Dong-Guan (CN); **Yu Li**, Dong-Guan (CN); **Li Jun Xu**, Dong-Guan (CN)

(73) Assignee: **Cheng Uei Precision Industry Co., Ltd.**, Taipei (TW)

(**) Term: **14 Years**

(21) Appl. No.: **29/204,528**

(22) Filed: **Apr. 30, 2004**

(51) **LOC (7) Cl.** **13-03**

(52) **U.S. Cl.** **D13/147**

(58) **Field of Search** D13/147; 200/51.1;
439/607-610, 637, 638, 660

(56) **References Cited**

U.S. PATENT DOCUMENTS

- 5,387,134 A * 2/1995 Bryce et al. 439/660
- 5,454,734 A * 10/1995 Eggert et al. 439/578
- 5,601,451 A * 2/1997 Driones et al. 439/490
- 5,693,924 A * 12/1997 Fetterolf et al. 200/51.1

- 6,290,540 B1 * 9/2001 Nishio et al. 439/607
- D457,859 S * 5/2002 Wu D13/146
- D458,902 S * 6/2002 Suzuki D13/147
- D476,952 S * 7/2003 Masaki D13/147
- D478,551 S * 8/2003 Zhang et al. D13/147
- D490,234 S * 5/2004 Masaki D13/133

* cited by examiner

Primary Examiner—Stella Reid

Assistant Examiner—Selina Sikder

(74) *Attorney, Agent, or Firm*—Rosenberg, Klein & Lee

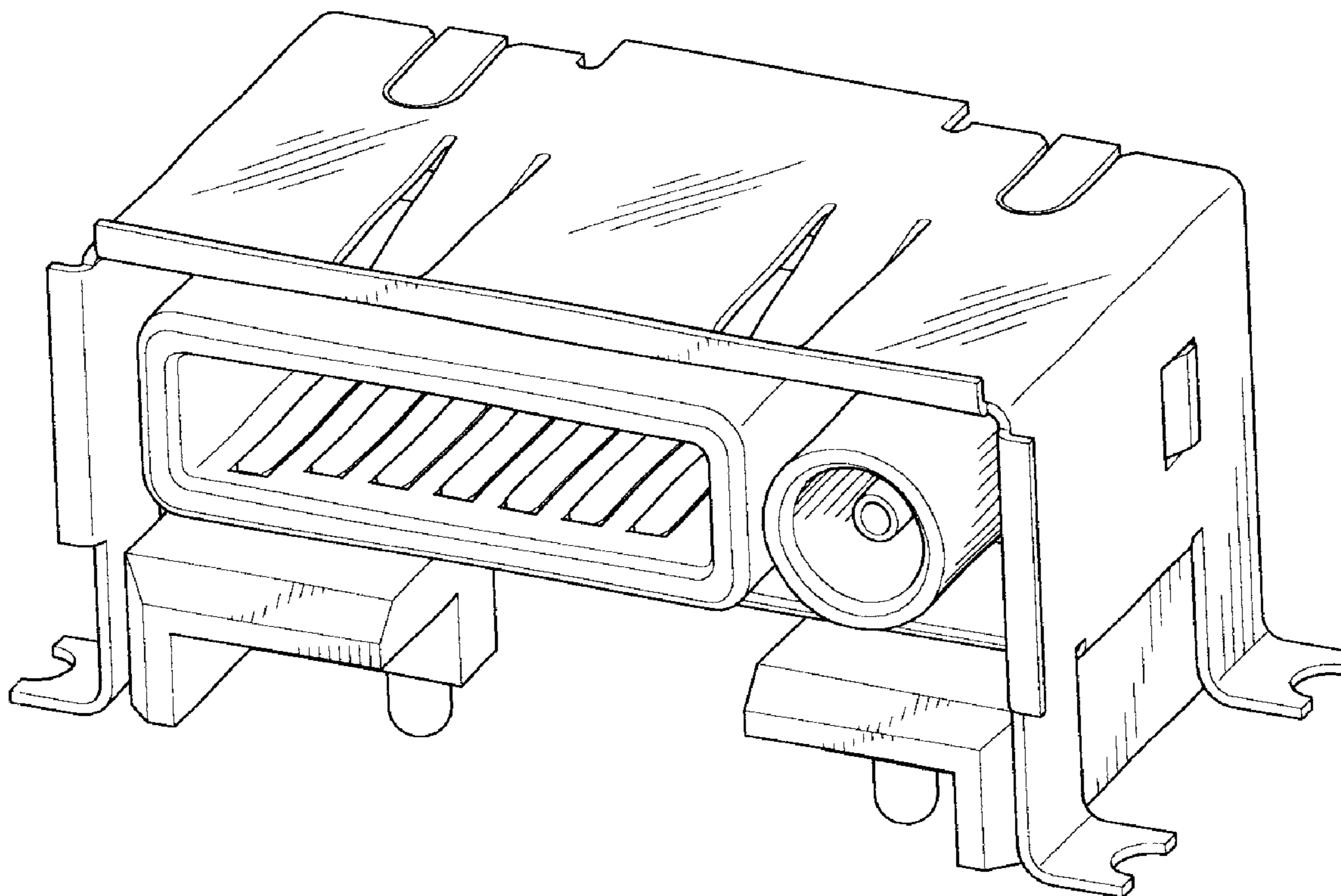
(57) **CLAIM**

The ornamental design for a receptacle connector assembly, as shown and described.

DESCRIPTION

FIG. 1 is a perspective view of a receptacle connector assembly showing the new design; FIG. 2 is a front elevational view thereof; FIG. 3 is a rear elevational view thereof; FIG. 4 is a left side elevational view thereof; FIG. 5 is a right side elevational view thereof; FIG. 6 is a top plan view thereof; and, FIG. 7 is a bottom plan view thereof.

1 Claim, 4 Drawing Sheets



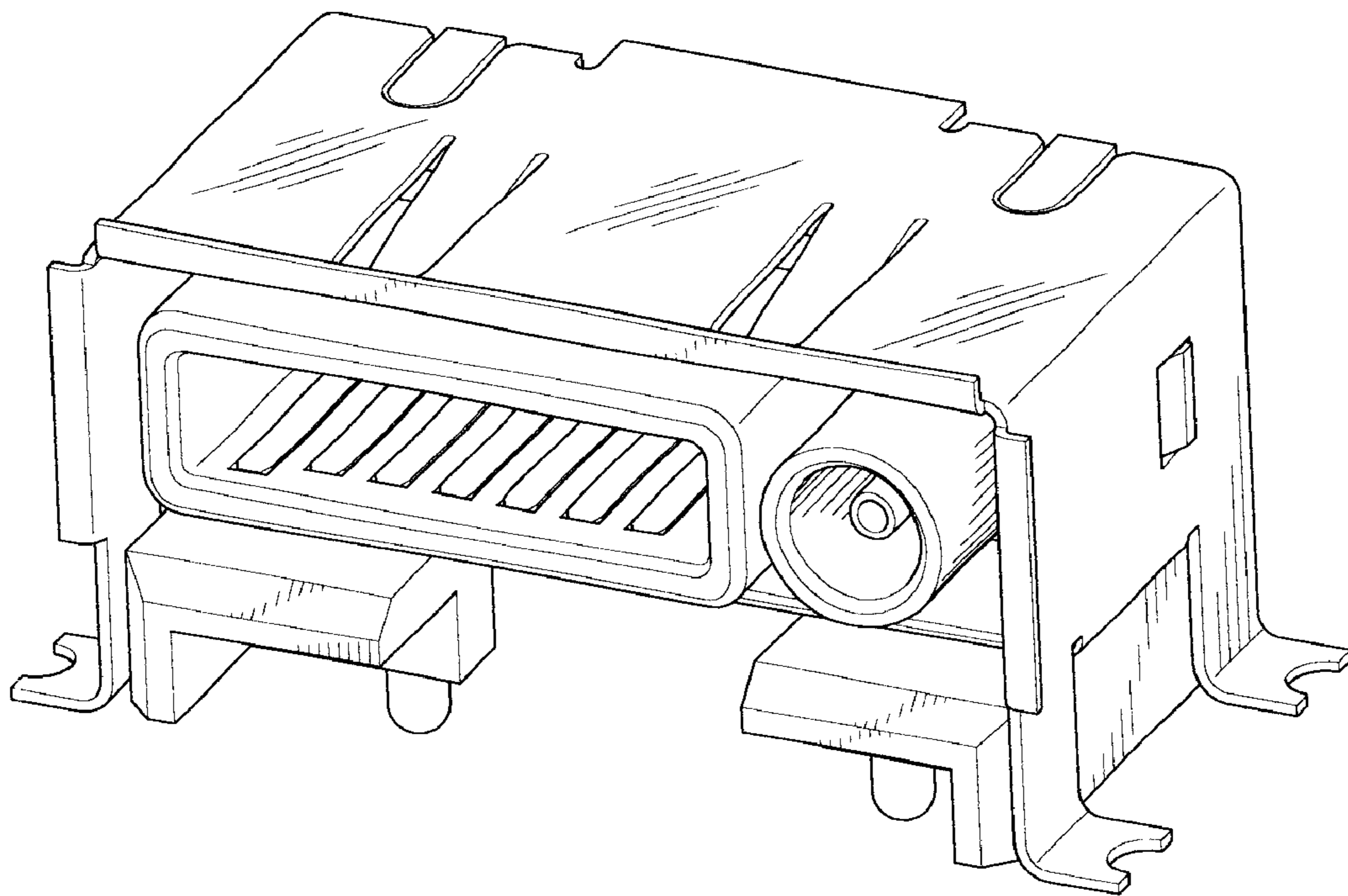


FIG. 1

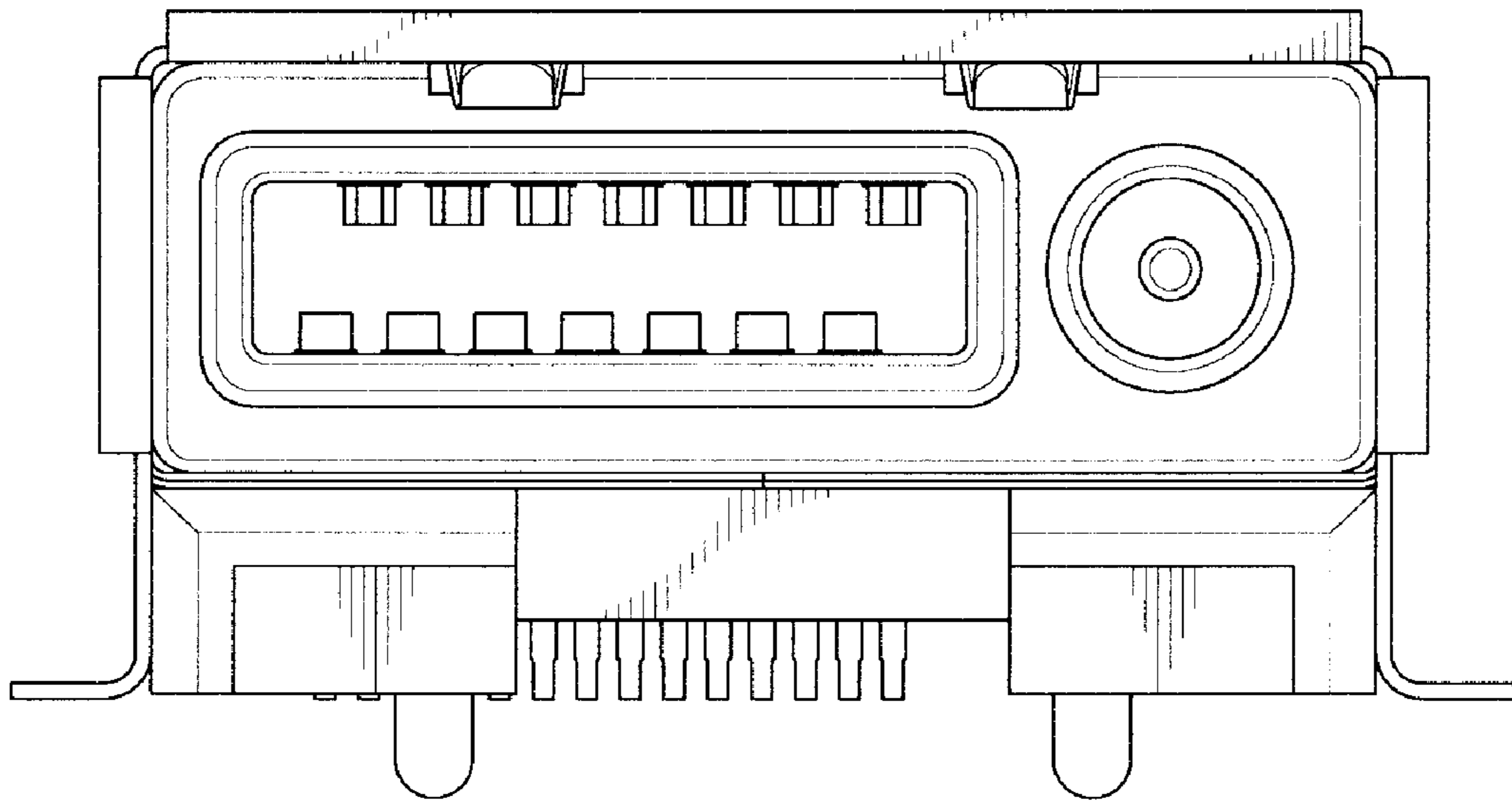


FIG. 2

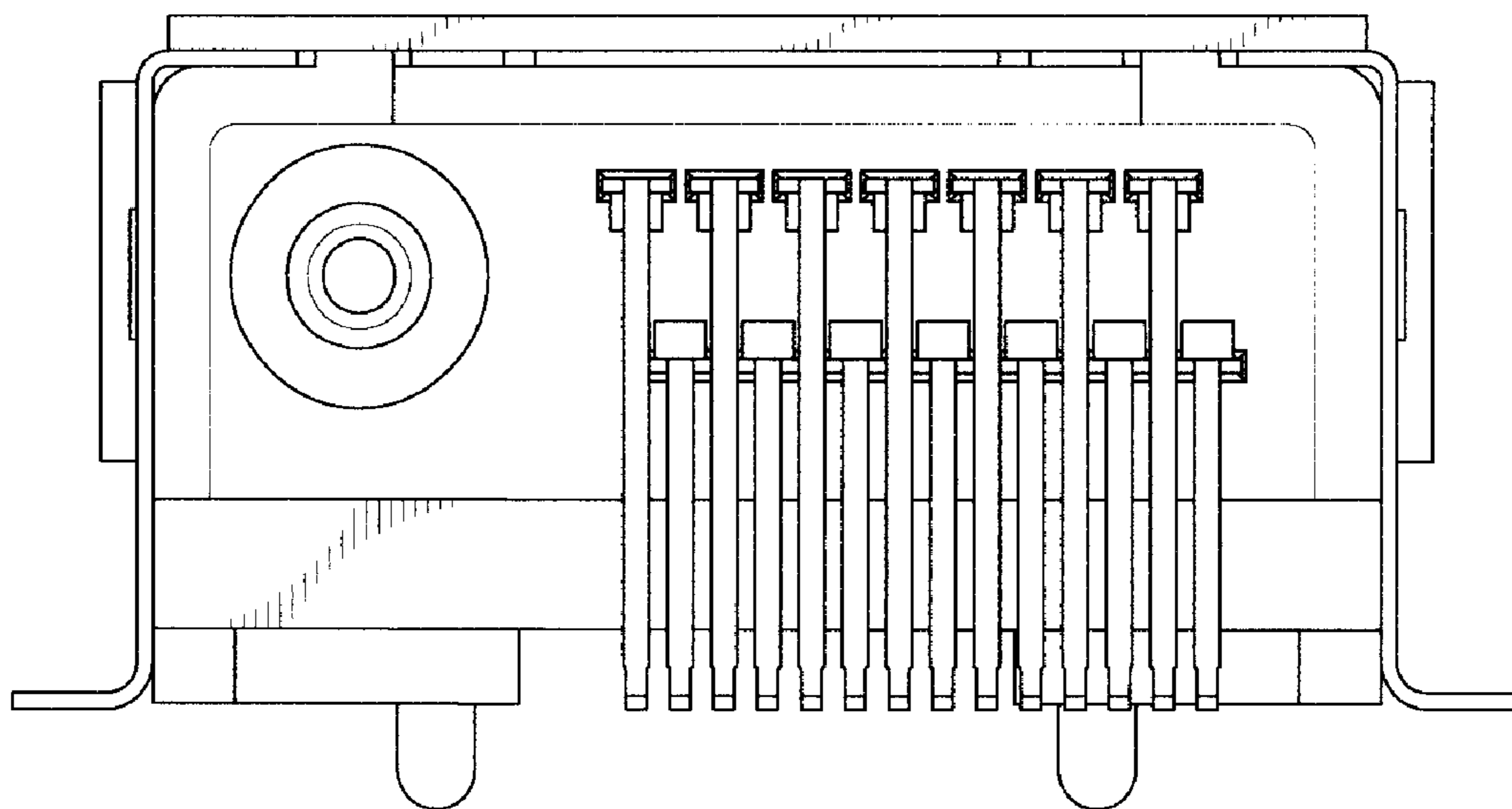


FIG. 3

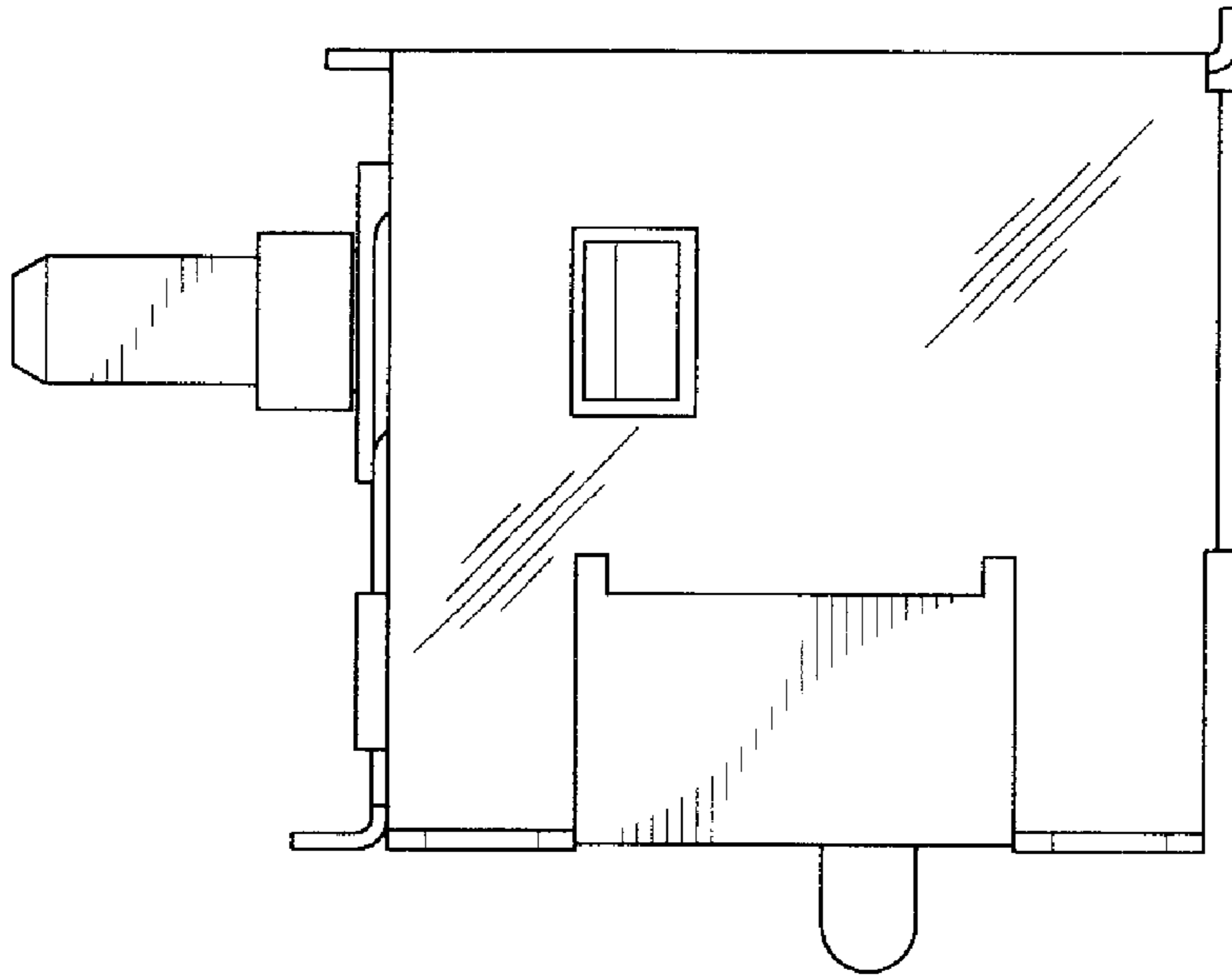


FIG. 4

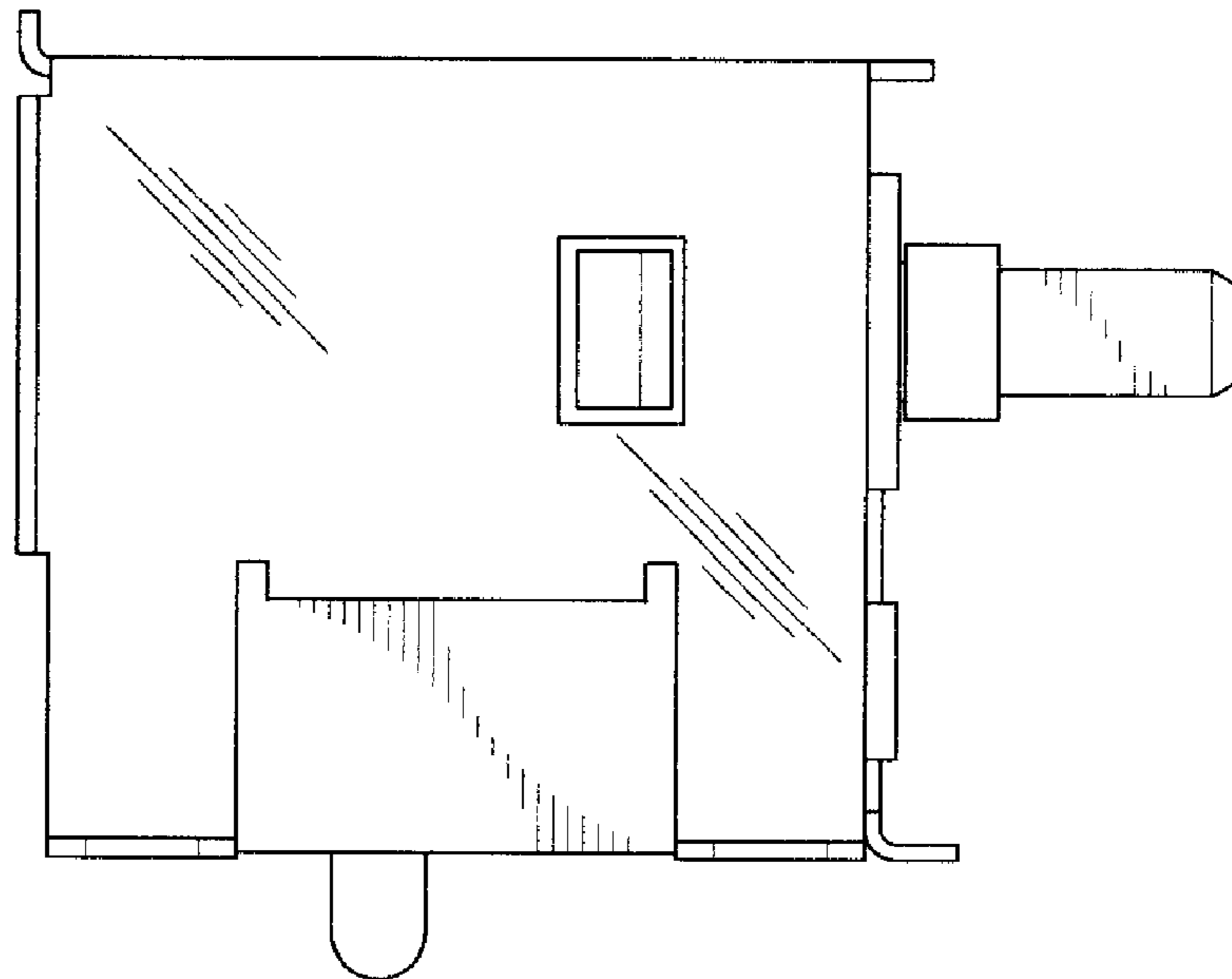


FIG. 5

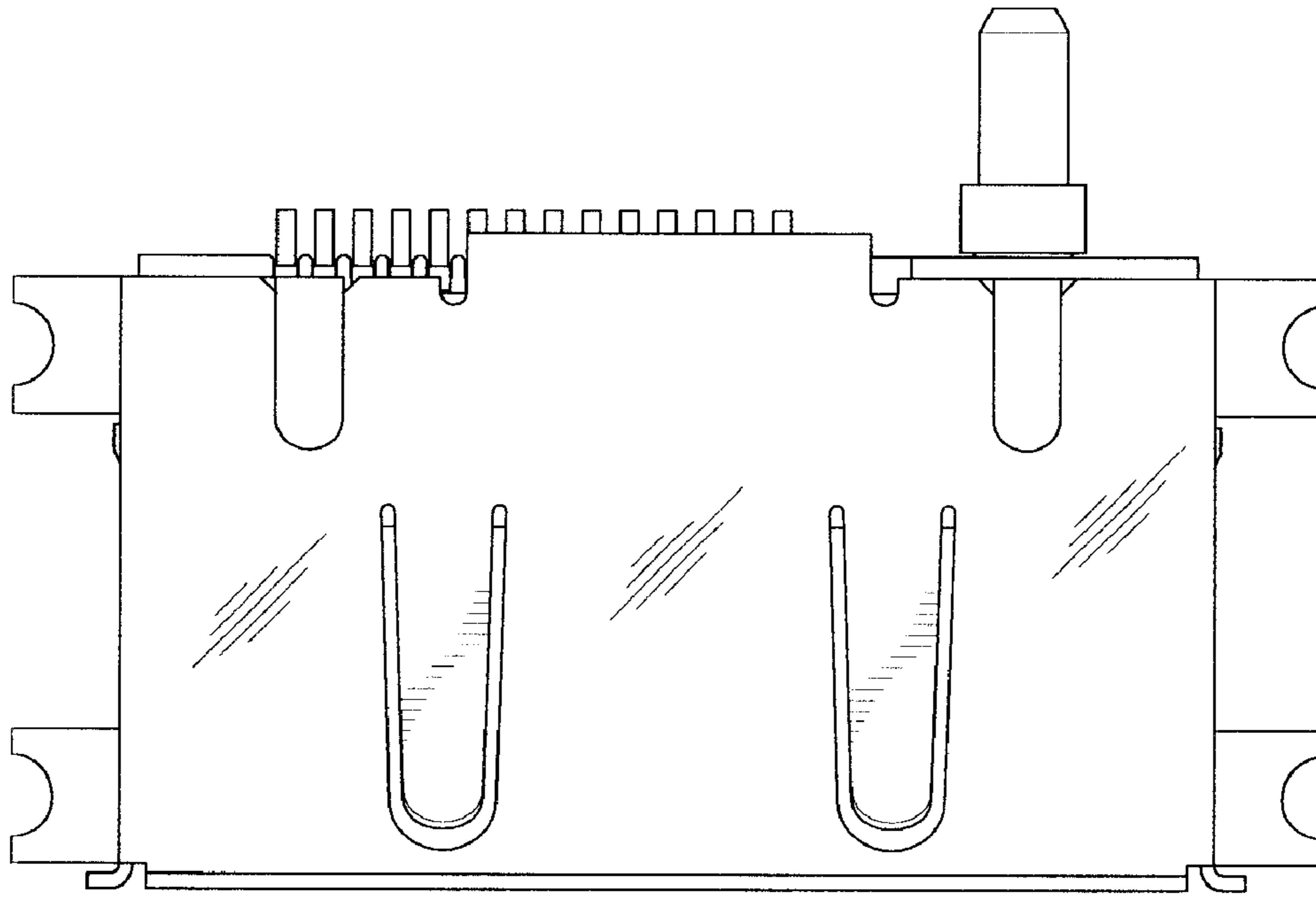


FIG. 6

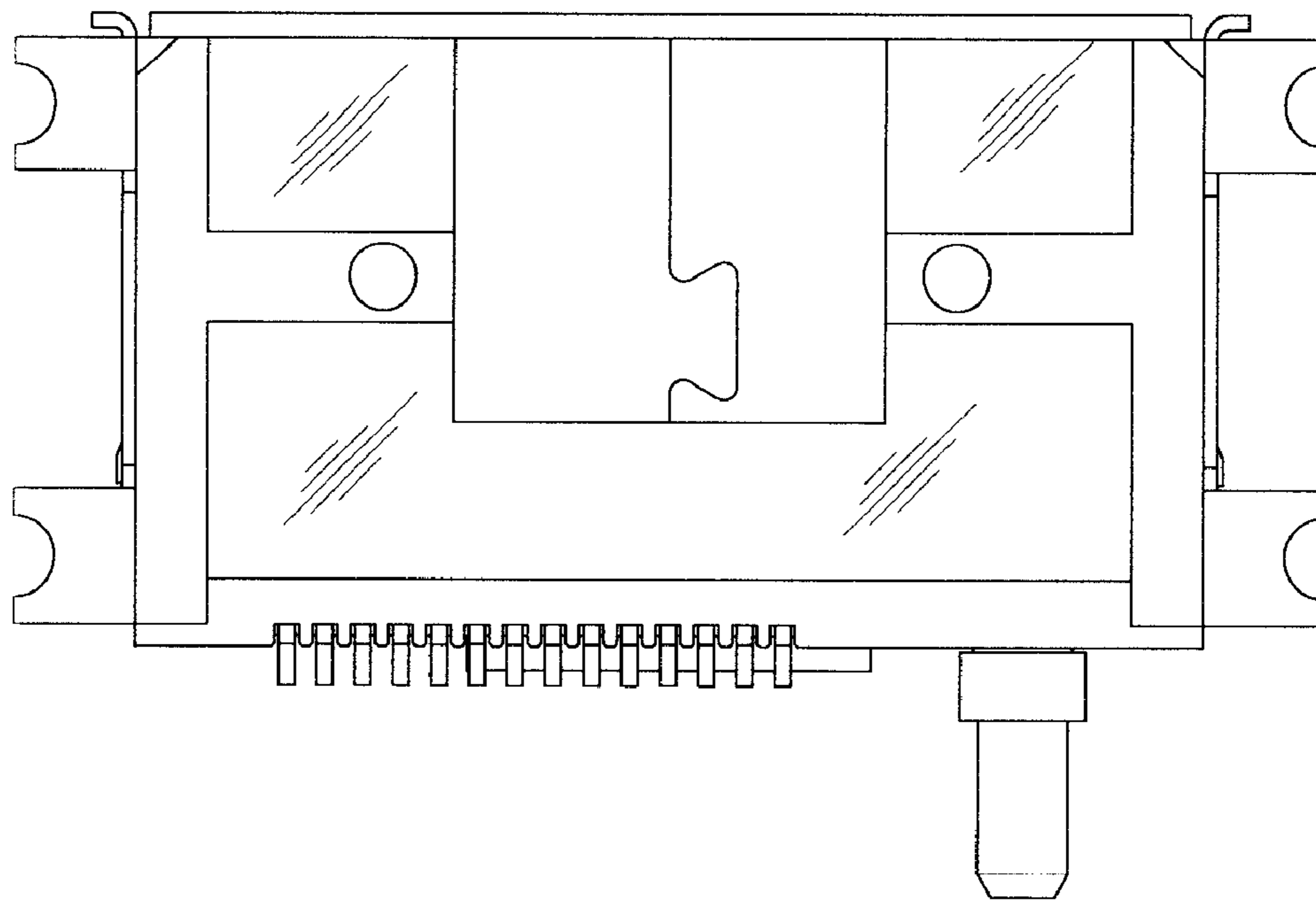


FIG. 7