

US00D504399S

(12) **United States Design Patent**
Peled et al.

(10) **Patent No.:** **US D504,399 S**
(45) **Date of Patent:** **** Apr. 26, 2005**

(54) **POWER SUPPLY**

(75) Inventors: **Doron Peled**, Tel Aviv (IL); **George Recareana**, Tel Aviv (IL)

(73) Assignee: **Lambda Americas Inc.**, Neptune, NJ (US)

(**) Term: **14 Years**

(21) Appl. No.: **29/200,035**

(22) Filed: **Feb. 20, 2004**

(30) **Foreign Application Priority Data**

Nov. 15, 2002 (JP) 2002-031525

(51) **LOC (7) Cl.** **13-02**

(52) **U.S. Cl.** **D13/110**

(58) **Field of Search** D13/101, 110,
D13/112, 118, 162, 164, 184, 199; 307/72,
85-87, 150-151; 361/643, 728

(56) **References Cited**

U.S. PATENT DOCUMENTS

D356,297 S * 3/1995 Carl et al. D13/160
D366,248 S * 1/1996 Owens D13/184
5,589,718 A * 12/1996 Lee 307/72
5,649,839 A * 7/1997 Yu 439/650

D392,615 S * 3/1998 Basile D13/123
D405,092 S * 2/1999 Ohshima et al. D14/239
D451,883 S * 12/2001 Reynolds D13/110
D452,475 S * 12/2001 Reynolds D13/110
D458,218 S * 6/2002 Reynolds D13/110
D462,658 S * 9/2002 Reynolds D13/110
D464,617 S * 10/2002 Reynolds D13/110

* cited by examiner

Primary Examiner—Stella Reid
Assistant Examiner—Daniel Bui

(74) *Attorney, Agent, or Firm*—Foley Hoag LLP

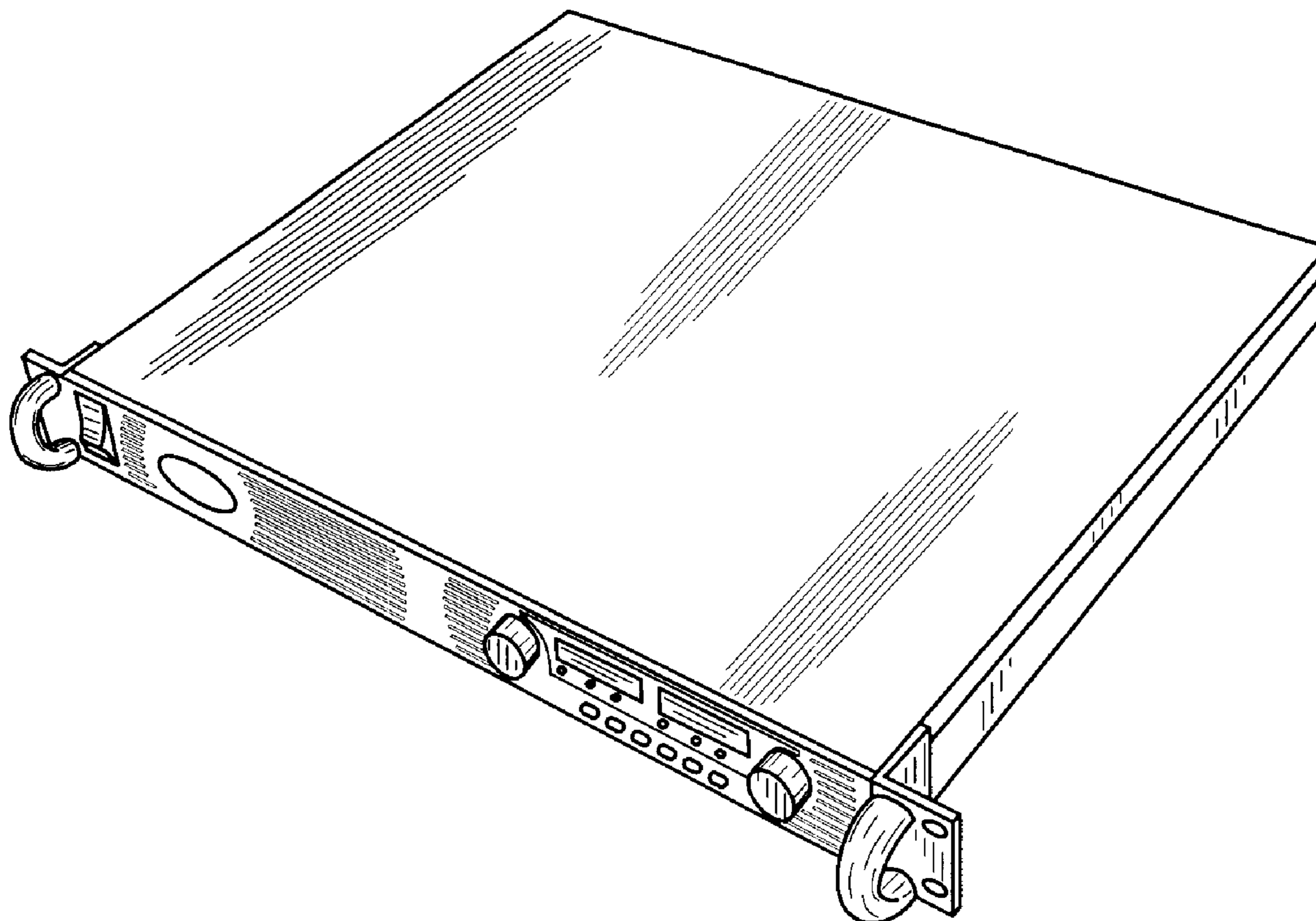
(57) **CLAIM**

The ornamental design for a power supply, as shown and described.

DESCRIPTION

FIG. 1 is an enlarged front elevational view of the power supply according to our new design.
FIG. 2 is a rear elevational view thereof.
FIG. 3 is a left side elevational view thereof.
FIG. 4 is a right side elevational view thereof.
FIG. 5 is a top plan view thereof.
FIG. 6 is a bottom plan view thereof; and,
FIG. 7 is a perspective view thereof, looking toward the front right corner.

1 Claim, 3 Drawing Sheets



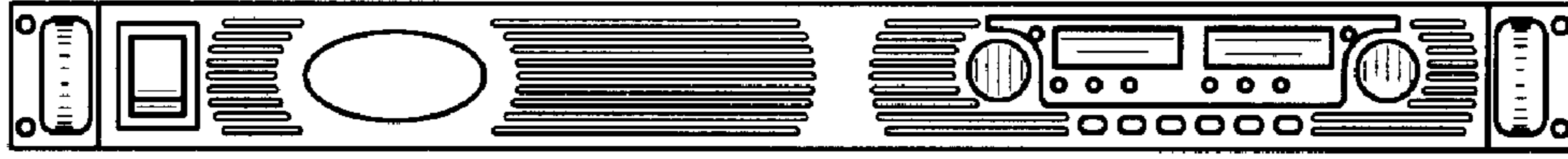


FIG. 1



FIG. 2

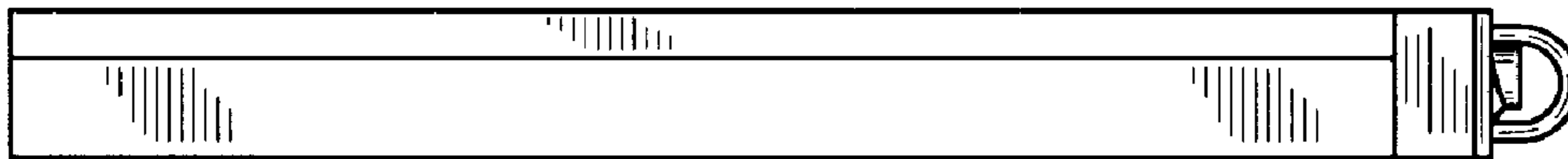


FIG. 3

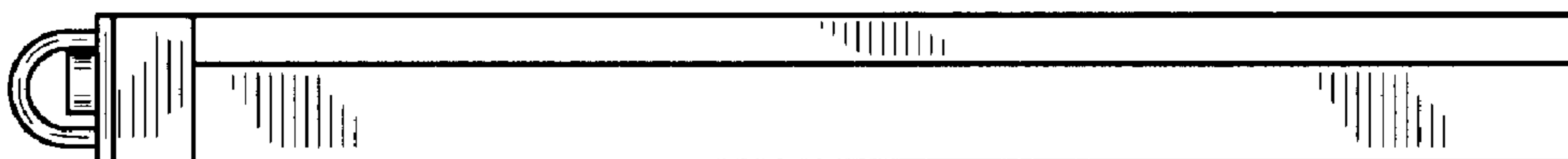


FIG. 4

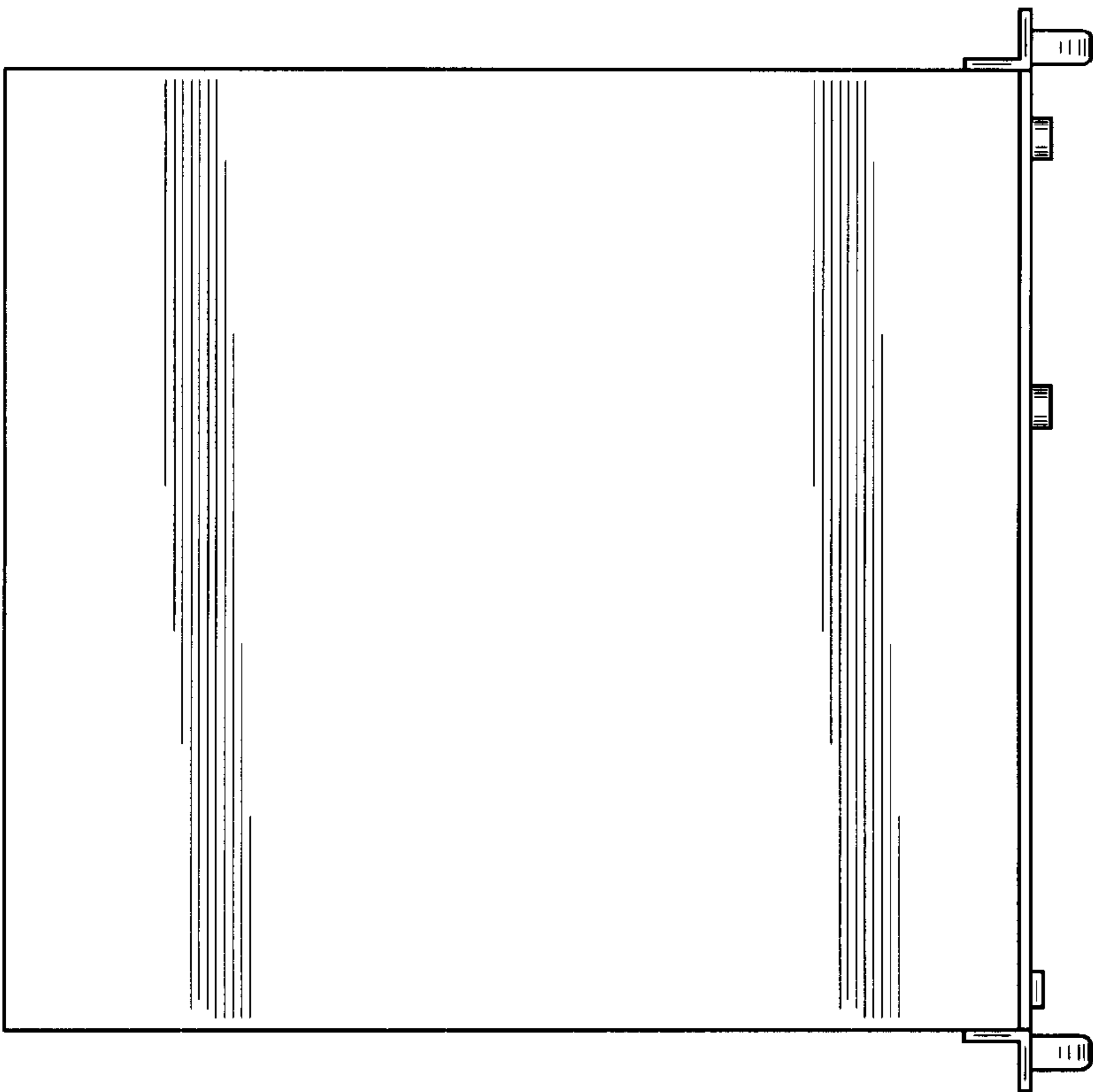


FIG. 5

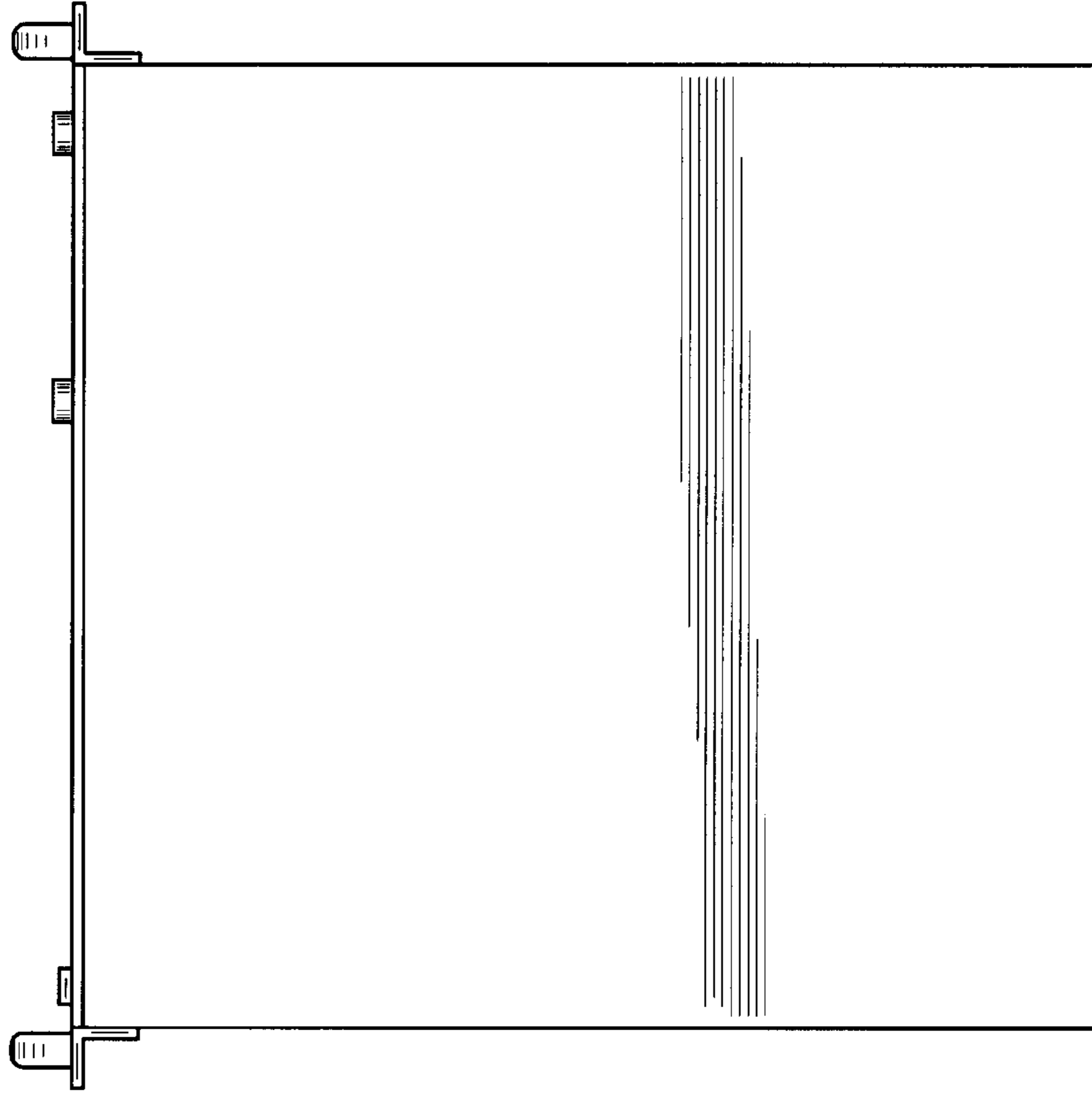


FIG. 6

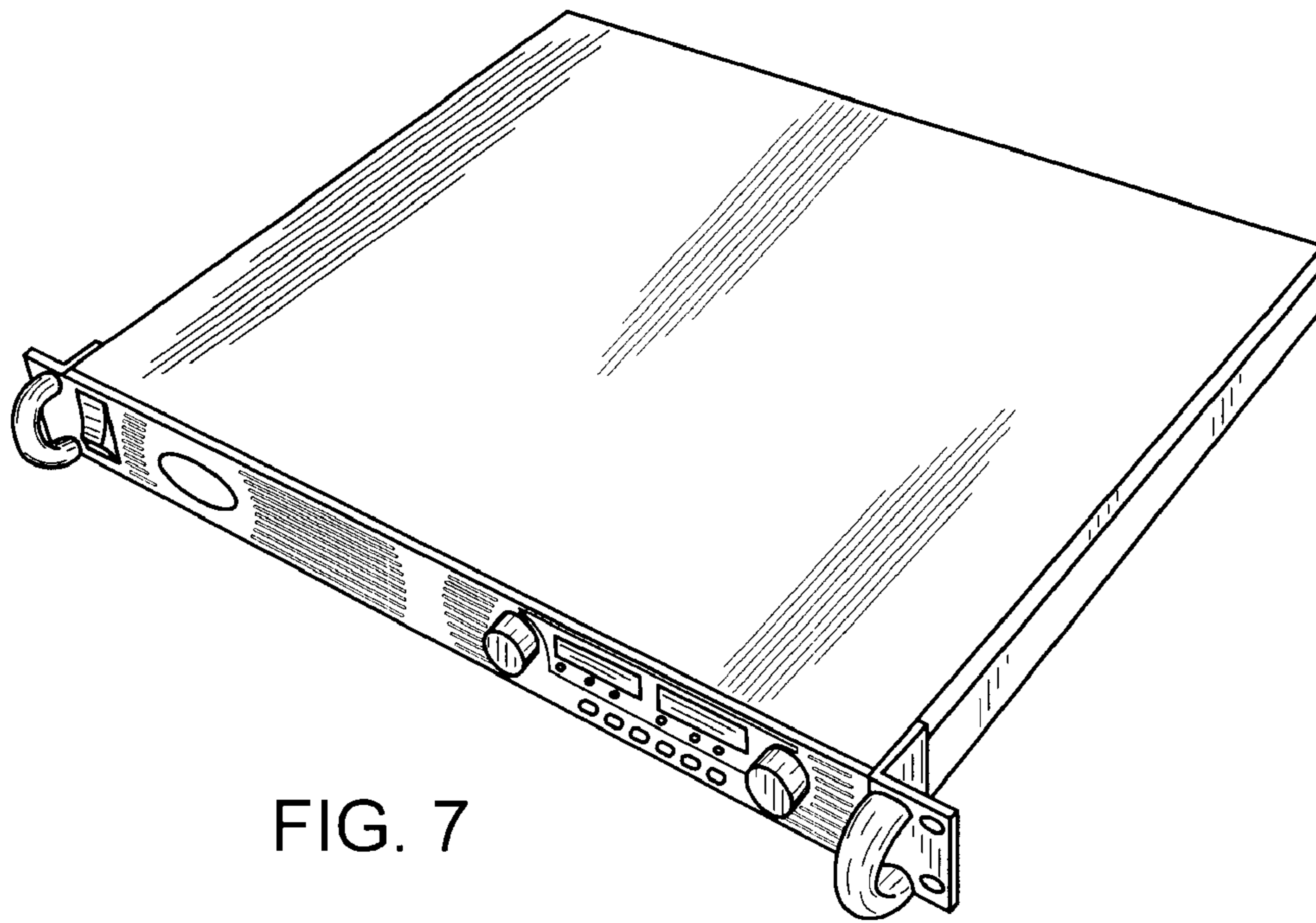


FIG. 7