

US00D504398S

(12) **United States Design Patent**
Krieger et al.

(10) **Patent No.:** **US D504,398 S**

(45) **Date of Patent:** **** Apr. 26, 2005**

(54) **BATTERY CHARGER**

(75) Inventors: **Michael Krieger**, Miami Beach, FL
(US); **Kevin Ellsworth**, Hollywood, FL
(US)

(73) Assignee: **Vector Products, Inc.**, Ft. Lauderdale,
FL (US)

(**) Term: **14 Years**

(21) Appl. No.: **29/208,496**

(22) Filed: **Jun. 30, 2004**

Related U.S. Application Data

(63) Continuation of application No. 29/182,599, filed on May
30, 2003, now Pat. No. Des. 494,537, which is a continua-
tion of application No. 29/158,156, filed on Apr. 1, 2002,
now Pat. No. Des. 475,680.

(51) **LOC (7) Cl.** **13-02**

(52) **U.S. Cl.** **D13/109**

(58) **Field of Search** D13/106-110,
D13/118; D14/188, 251, 253, 265; 320/104-105,
107-116; 439/501, 504

(56) **References Cited**

U.S. PATENT DOCUMENTS

D277,954 S	*	3/1985	Mizushima	D13/114
5,077,513 A	*	12/1991	Dea et al.	320/115
5,083,076 A	*	1/1992	Scott	320/105
D327,468 S	*	6/1992	Dea et al.	D13/104
5,781,853 A	*	7/1998	Johnson	455/351

6,008,621 A	*	12/1999	Madison et al.	320/107
D423,451 S	*	4/2000	Heckenast et al.	D13/110
D425,018 S	*	5/2000	Madura et al.	D13/110
D427,969 S	*	7/2000	Wei	D13/110
D450,061 S		11/2001	Graber et al.	D15/9
D455,398 S	*	4/2002	Frank et al.	D13/110
D464,935 S	*	10/2002	Krieger et al.	D13/110

* cited by examiner

Primary Examiner—Alan P. Douglas

Assistant Examiner—Rosemary K. Tarcza

(74) *Attorney, Agent, or Firm*—Venable LLP; Robert
Kinberg

(57) **CLAIM**

The ornamental design for a battery charger, as shown and
described.

DESCRIPTION

FIG. 1 is a perspective view from the front-top-left side of
the battery charger showing our new design;

FIG. 2 is a front view of the design shown in FIG. 1;

FIG. 3 is a rear view of the design shown in FIG. 1;

FIG. 4 is a right side view of the design shown in FIG. 1;

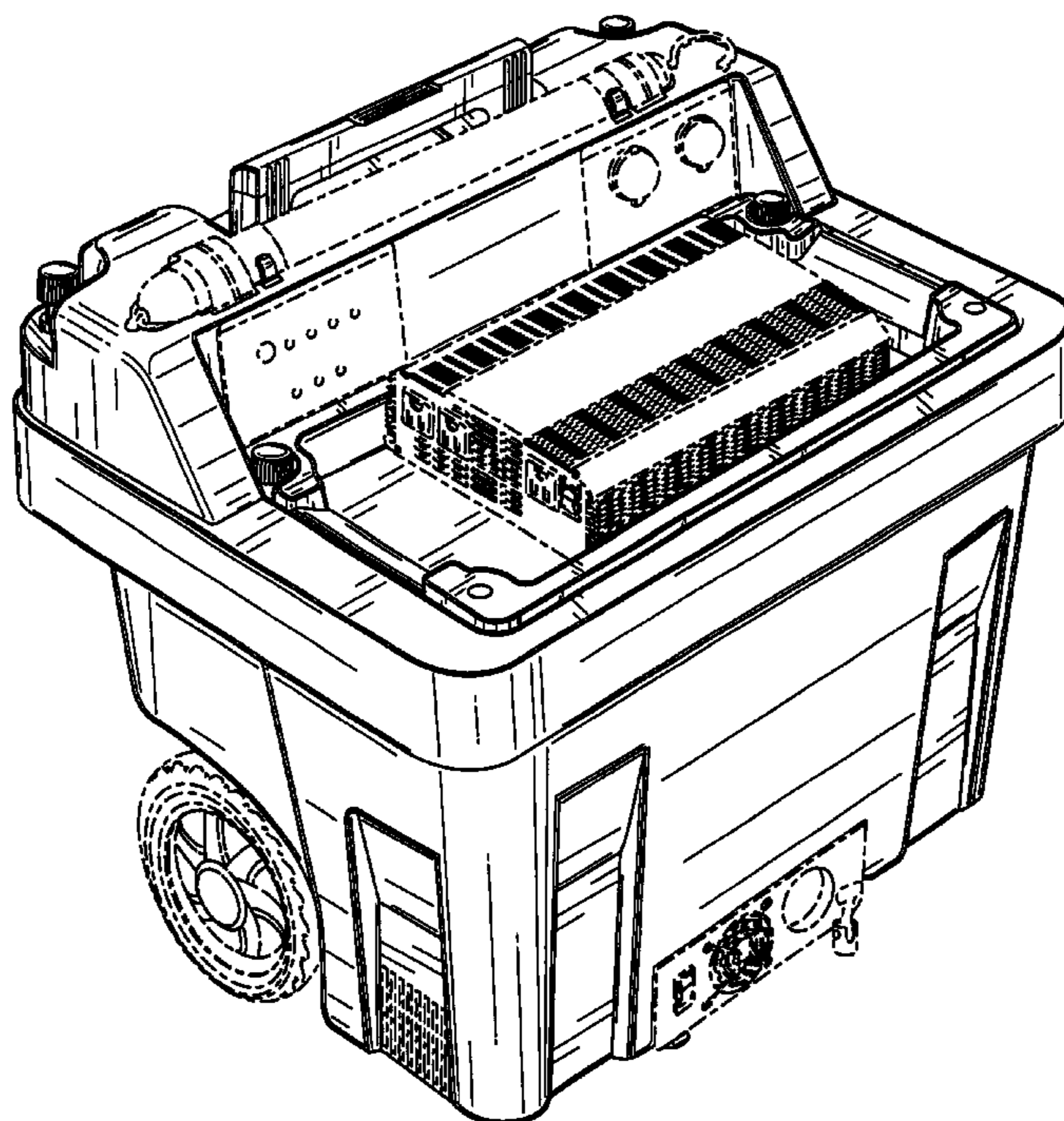
FIG. 5 is a left side view of the design shown in FIG. 1;

FIG. 6 is a top view of the design shown in FIG. 1; and,

FIG. 7 is a bottom view of the design shown in FIG. 1.

The broken lines immediately adjacent the shaded areas
represent the bounds of the claimed design while all other
broken lines are for illustrative purposes only; the broken
lines form no part of the claimed design.

1 Claim, 7 Drawing Sheets



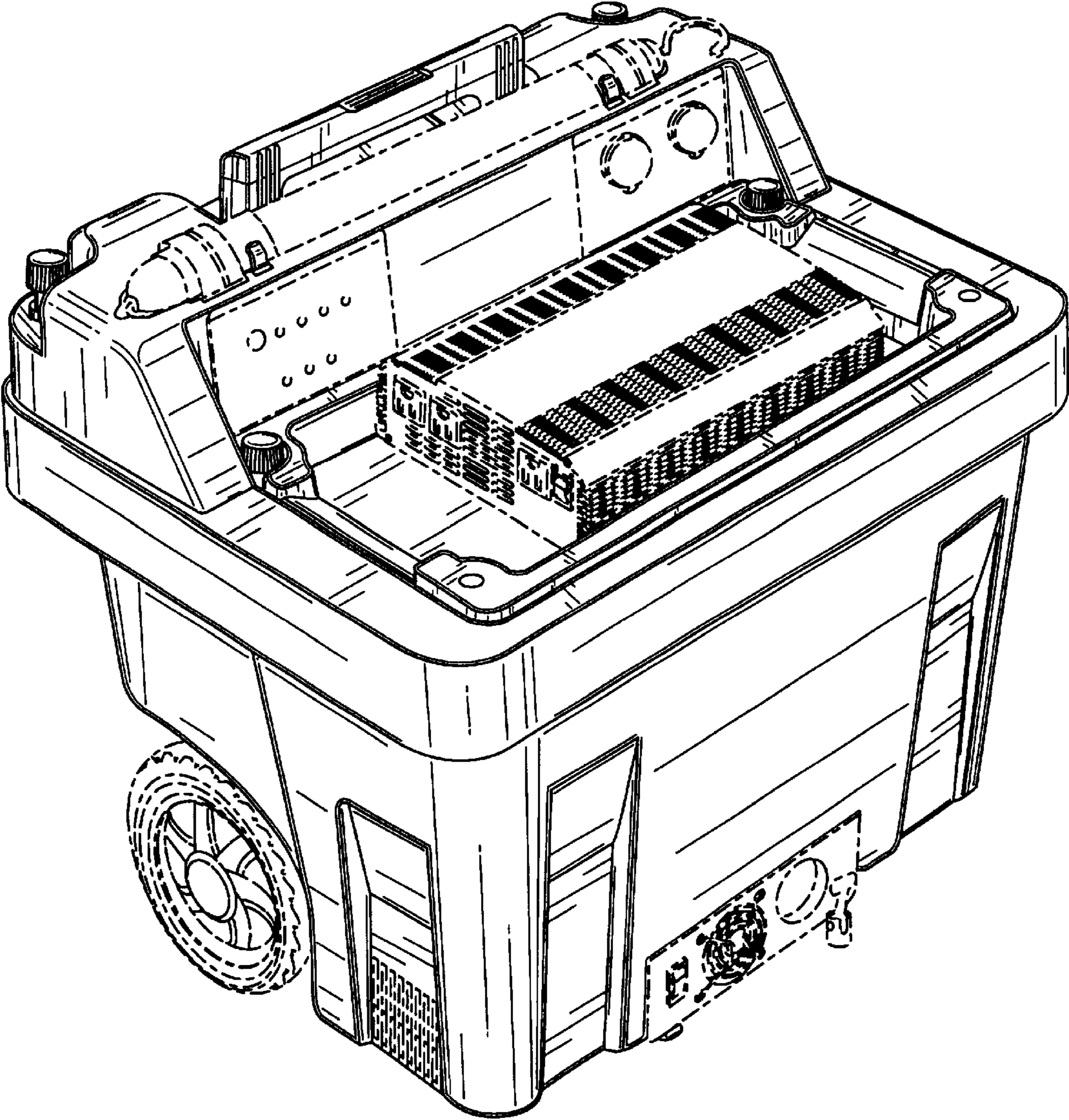


FIG. 1

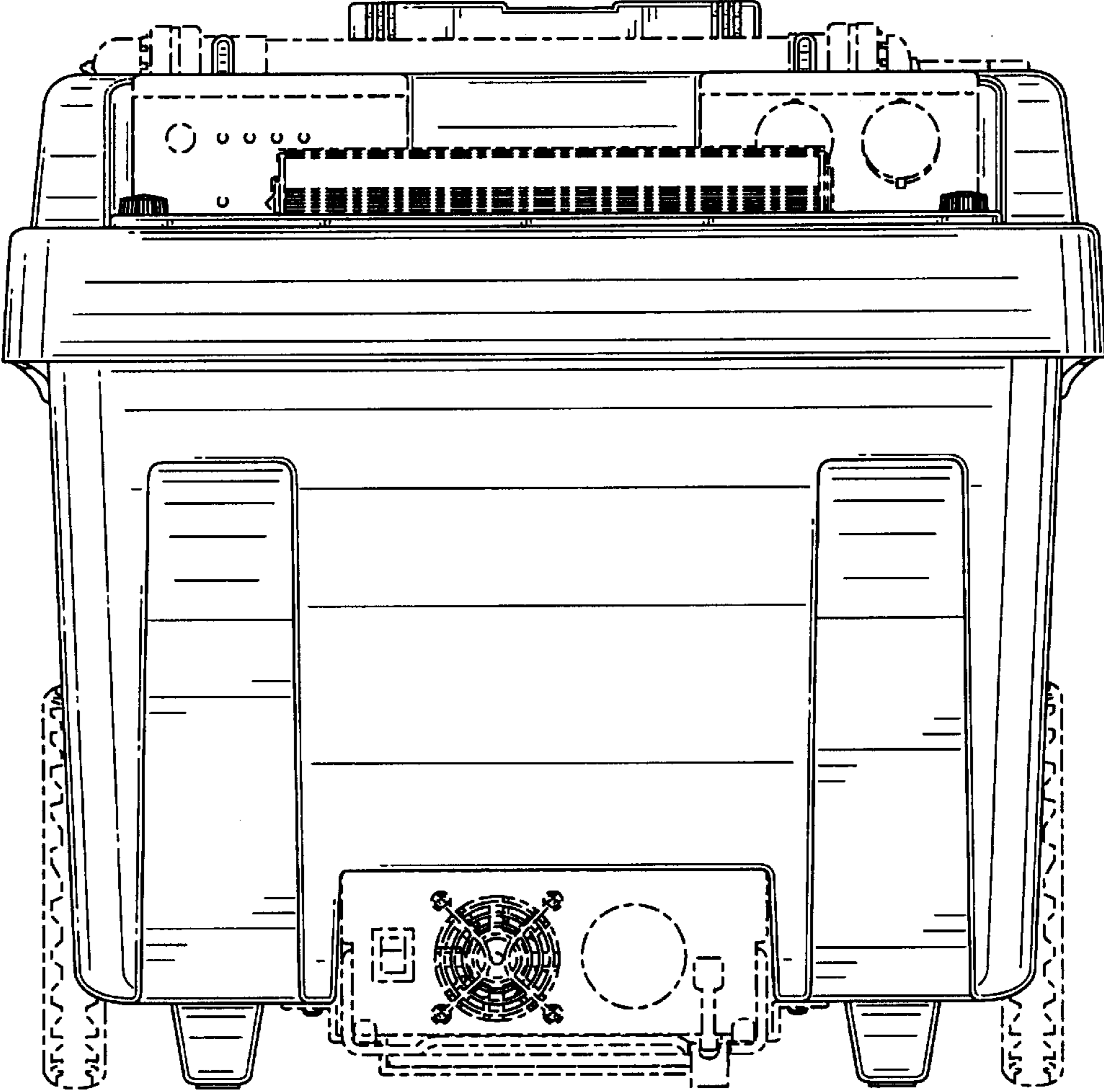


FIG. 2

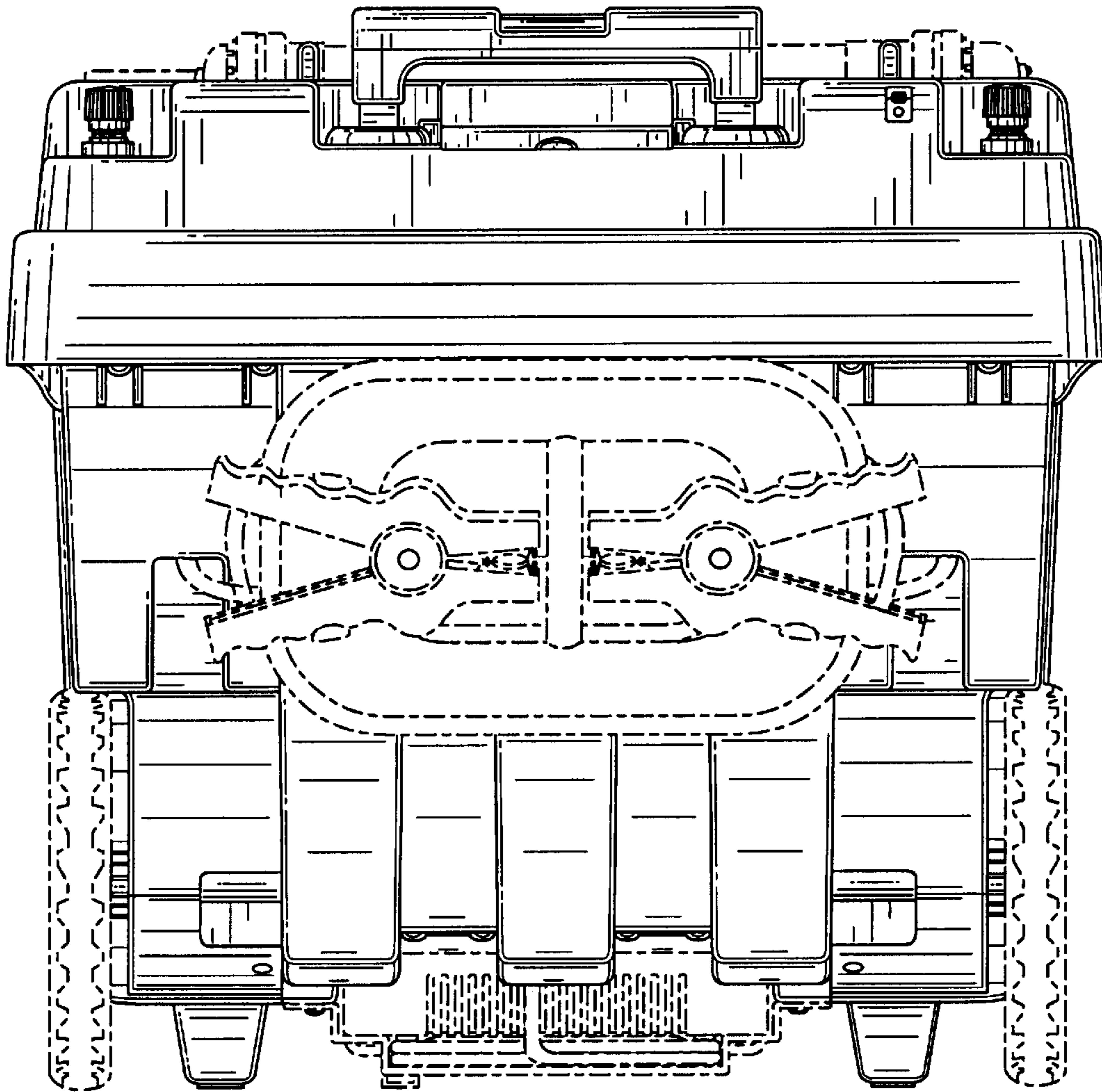


FIG. 3

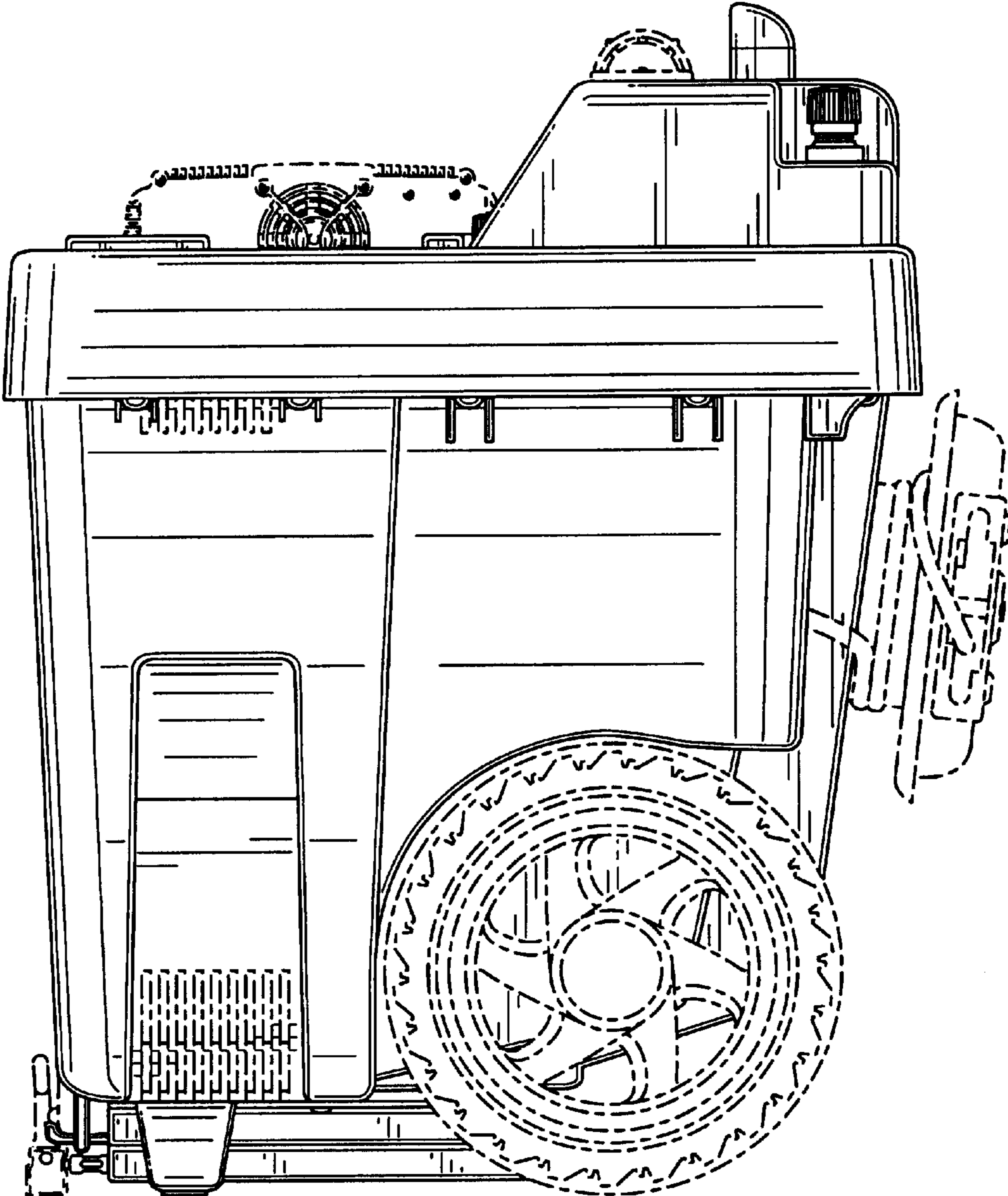


FIG. 4

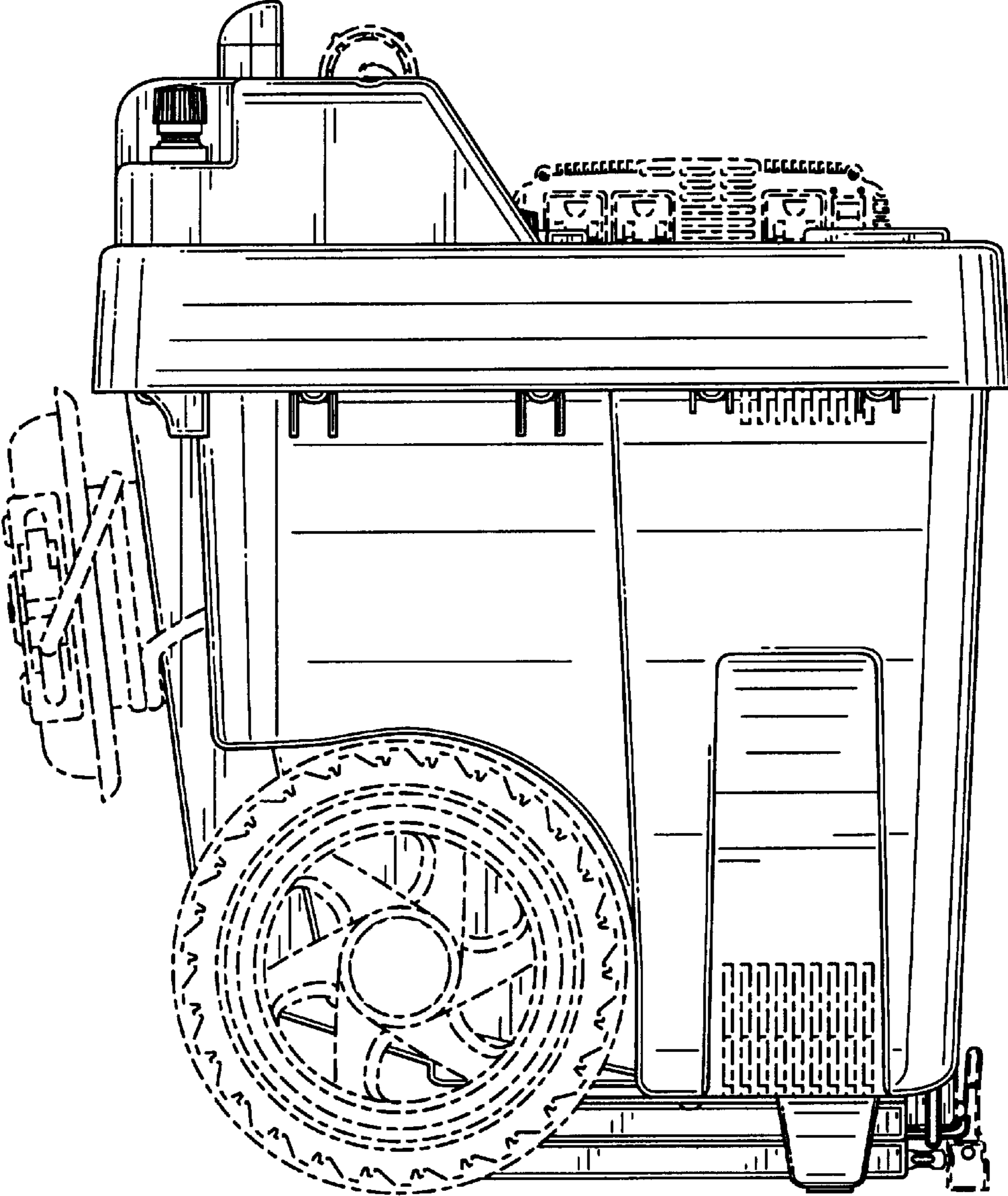


FIG. 5

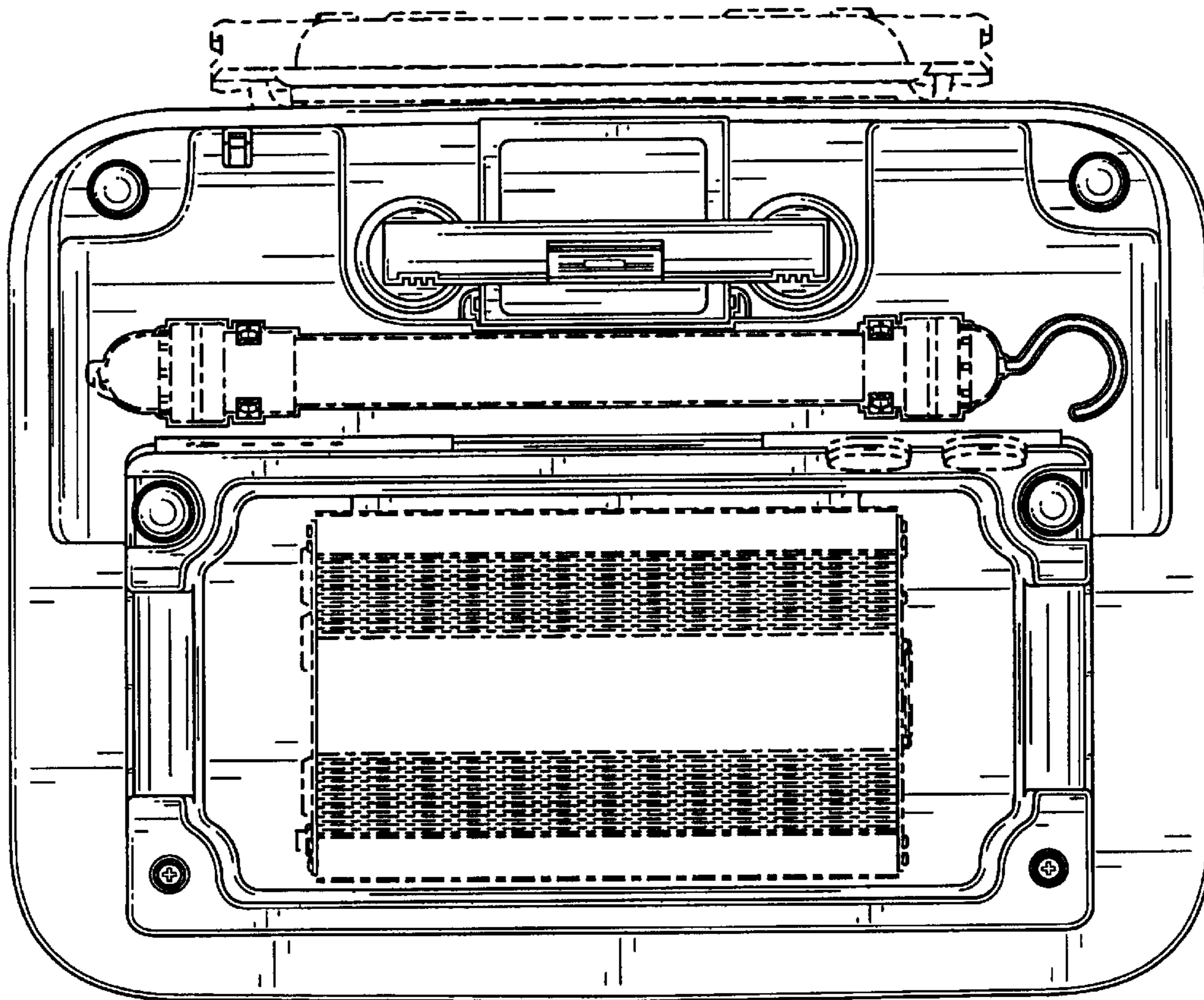


FIG. 6

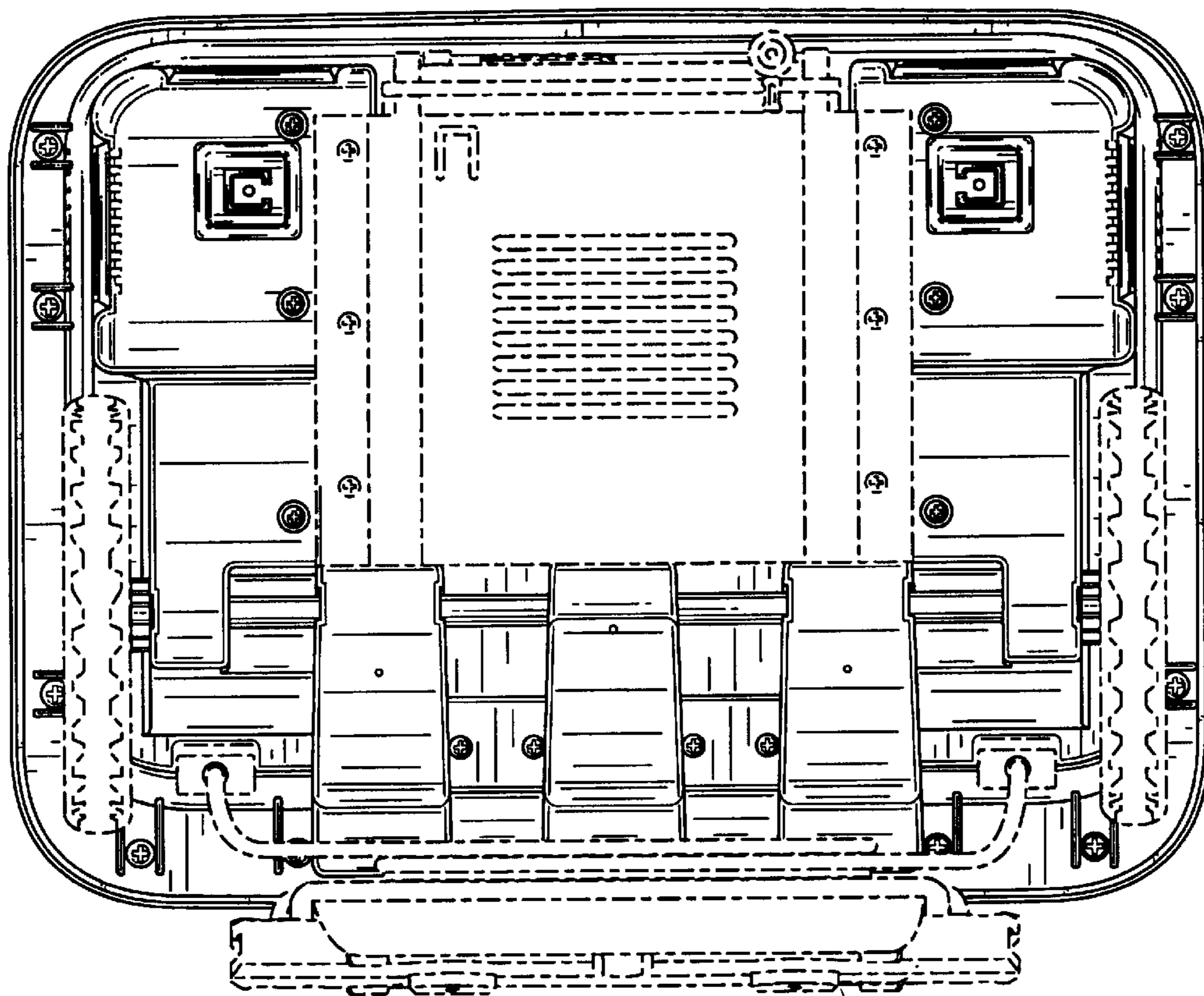


FIG. 7