

US00D504394S

(12) **United States Design Patent** (10) **Patent No.:** **US D504,394 S**  
**Cheung et al.** (45) **Date of Patent:** **\*\* Apr. 26, 2005**

(54) **BATTERY PACK**

(75) Inventors: **Benson Chun Kit Cheung**, Kowloon (HK); **Daniel Alex Chunn**, Kowloon (HK)

(73) Assignee: **One World Technologies Limited**, Hamilton (BM)

(\*\*) Term: **14 Years**

(21) Appl. No.: **29/203,941**

(22) Filed: **Apr. 20, 2004**

(51) **LOC (7) Cl.** ..... **13-02**

(52) **U.S. Cl.** ..... **D13/103**

(58) **Field of Search** ..... D13/103-104, D13/106-108, 110, 119, 184; D14/188; 429/96-100, 163, 178

(56) **References Cited**

**U.S. PATENT DOCUMENTS**

D304,822 S	*	11/1989	Fushiya et al.	.....	D13/103
D321,338 S		11/1991	Sakamoto et al.		
D334,012 S	*	3/1993	Chen	.....	D13/103
D342,479 S	*	12/1993	Kimata	.....	D13/103
D368,067 S		3/1996	Okumura		
D384,639 S	*	10/1997	Kawakami et al.	.....	D13/103
D387,728 S	*	12/1997	Kawakami et al.	.....	D13/103
D397,991 S	*	9/1998	Kawakami et al.	.....	D13/103
D412,485 S	*	8/1999	Kato et al.	.....	D13/103
D413,566 S		9/1999	McCombs		
D417,648 S	*	12/1999	Clowers et al.	.....	D13/103
6,007,939 A	*	12/1999	Clowers	.....	429/99
6,075,341 A		6/2000	White et al.		
D432,077 S	*	10/2000	Zurwelle et al.	.....	D13/103
6,326,101 B1	*	12/2001	White et al.	.....	429/99
D466,863 S	*	12/2002	Zurwelle et al.	.....	D13/119
D474,445 S	*	5/2003	Matsuoka et al.	.....	D13/103
6,562,509 B1		5/2003	Eggert		

\* cited by examiner

*Primary Examiner*—Alan P. Douglas

*Assistant Examiner*—Rosemary Tarcza

(74) *Attorney, Agent, or Firm*—Brinks Hofer Gilson & Lione

(57) **CLAIM**

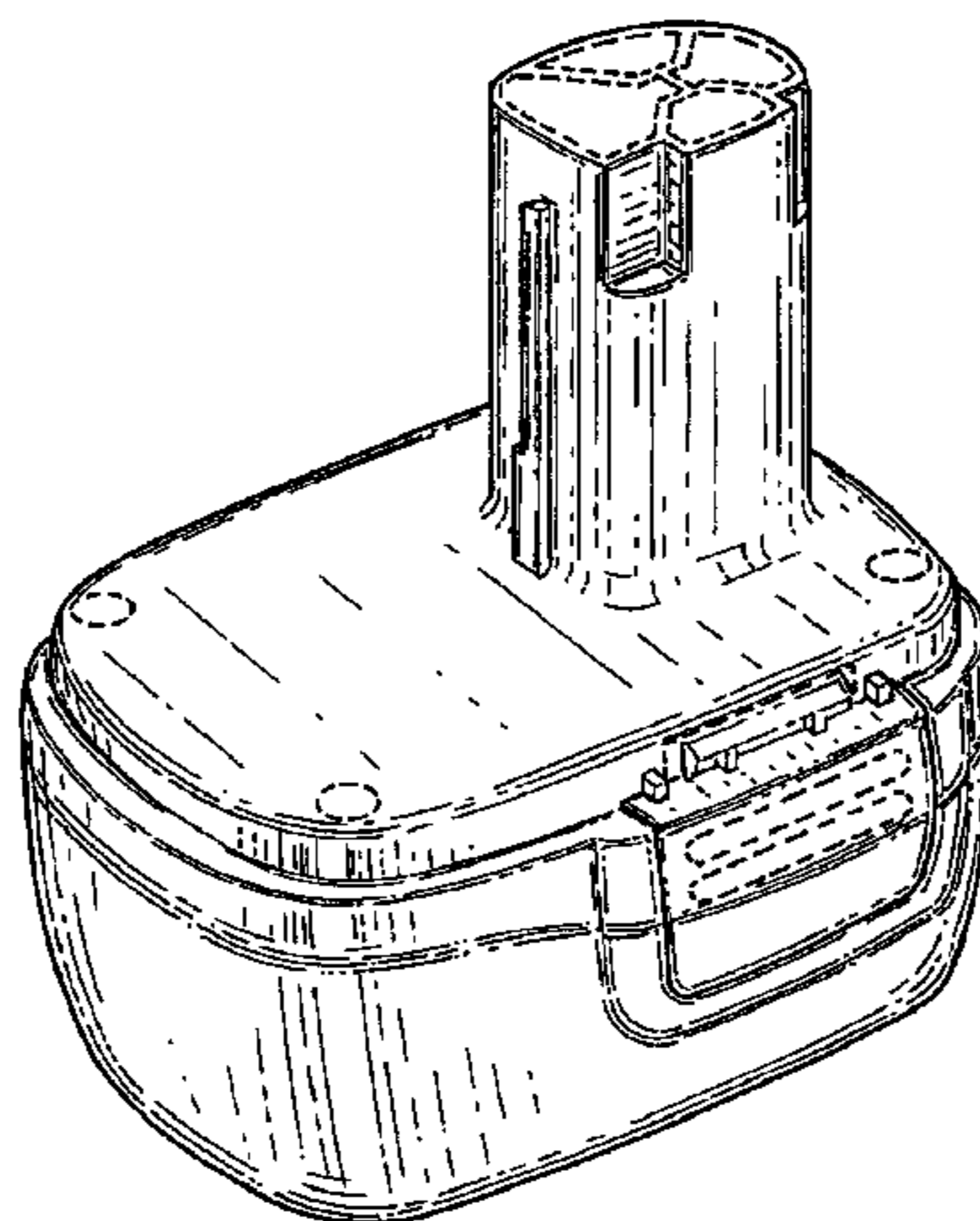
The ornamental design for a battery pack, as shown and described.

**DESCRIPTION**

FIG. 1 is a top front perspective view of a first embodiment of a battery pack of the present invention;  
 FIG. 2 is a bottom view thereof;  
 FIG. 3 is a top view thereof;  
 FIG. 4 is a first side view thereof;  
 FIG. 5 is a second side view thereof;  
 FIG. 6 is a rear view thereof;  
 FIG. 7 is a front view thereof;  
 FIG. 8 is a top front perspective view of a second embodiment of a battery pack of the present invention;  
 FIG. 9 is a bottom view thereof;  
 FIG. 10 is a top view thereof;  
 FIG. 11 is a first side view thereof;  
 FIG. 12 is a second side view thereof;  
 FIG. 13 is a rear view thereof;  
 FIG. 14 is a front view thereof;  
 FIG. 15 is a top front perspective view of a third embodiment of a battery pack of the present invention;  
 FIG. 16 is a bottom view thereof;  
 FIG. 17 is a top view thereof;  
 FIG. 18 is a first side view thereof;  
 FIG. 19 is a second side view thereof;  
 FIG. 20 is a rear view thereof; and,  
 FIG. 21 is a front view thereof.

The ornamental design which is claimed is shown in solid lines in the drawings. Any broken lines in the drawings are for illustrative purposes only and form no part of the claimed design.

**1 Claim, 12 Drawing Sheets**



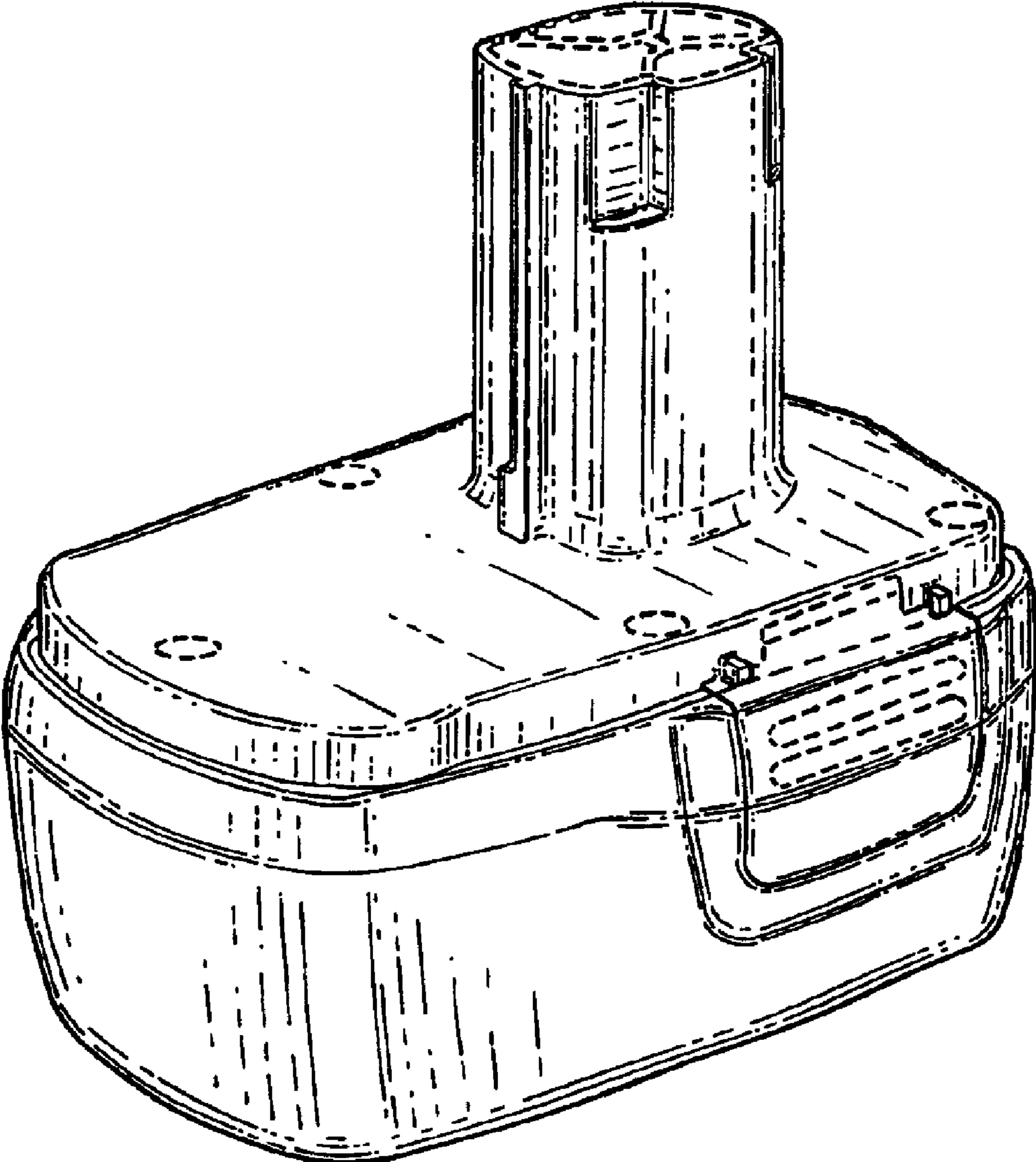


Fig. 1

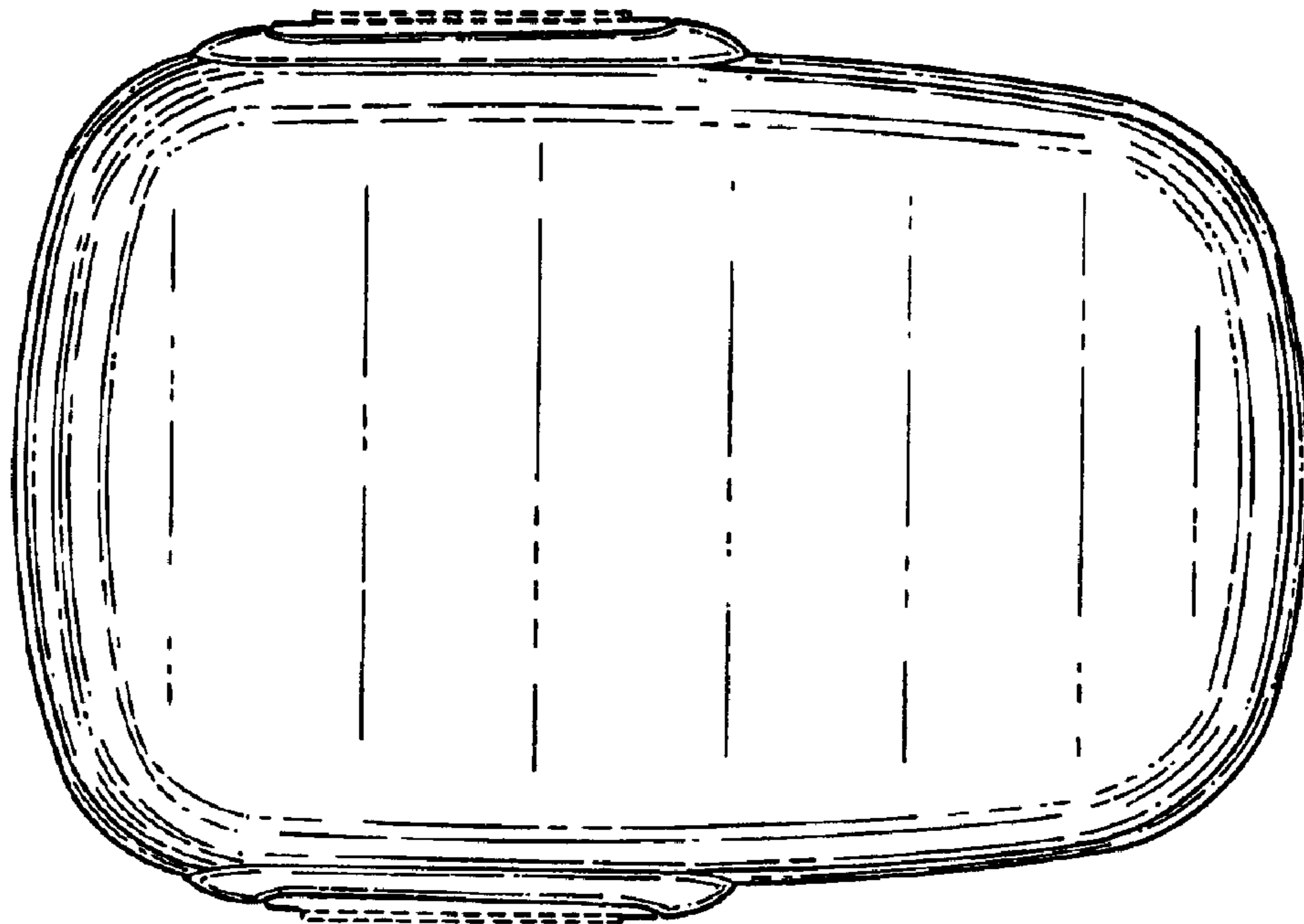


Fig. 2

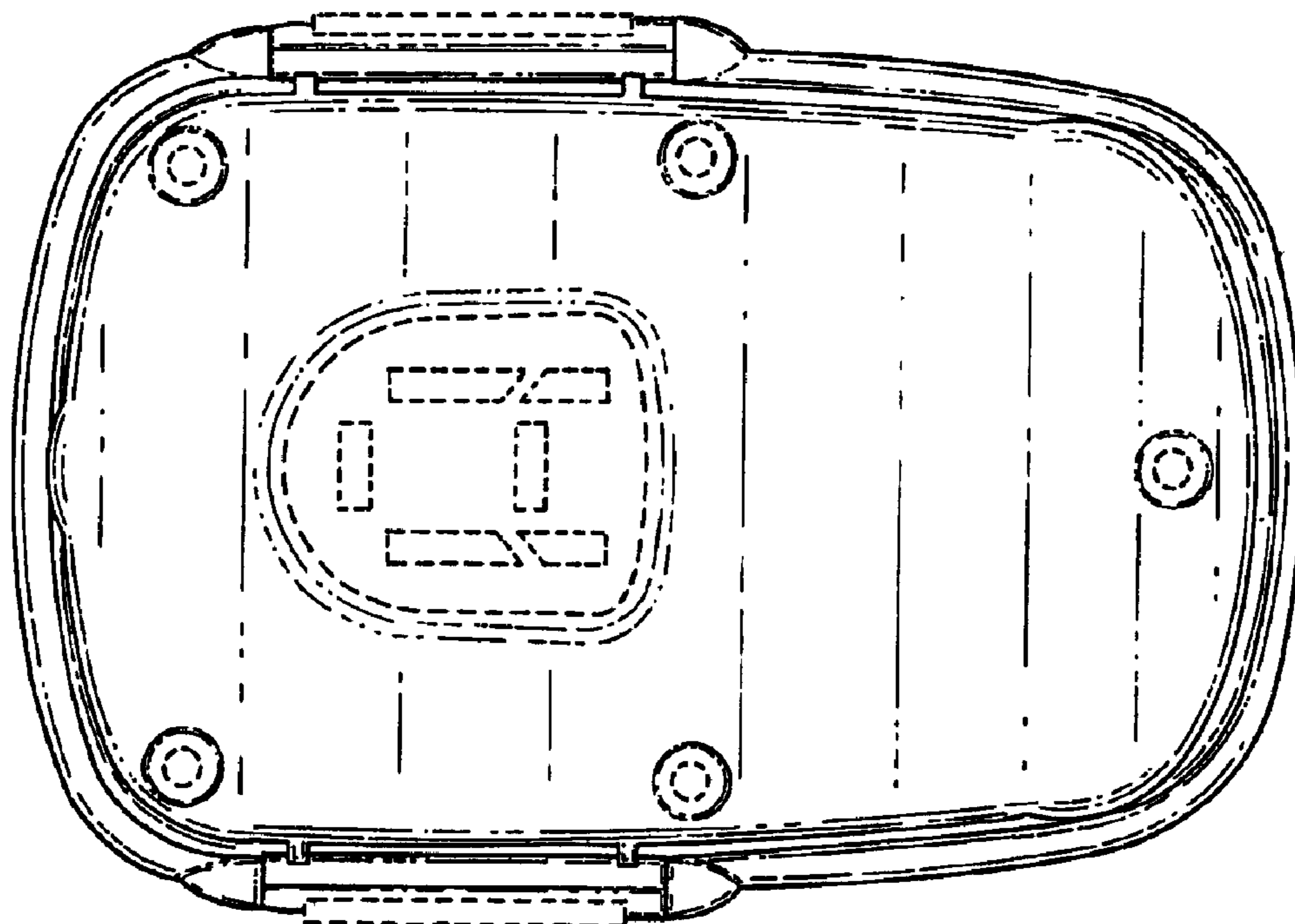


Fig. 3

Fig. 4

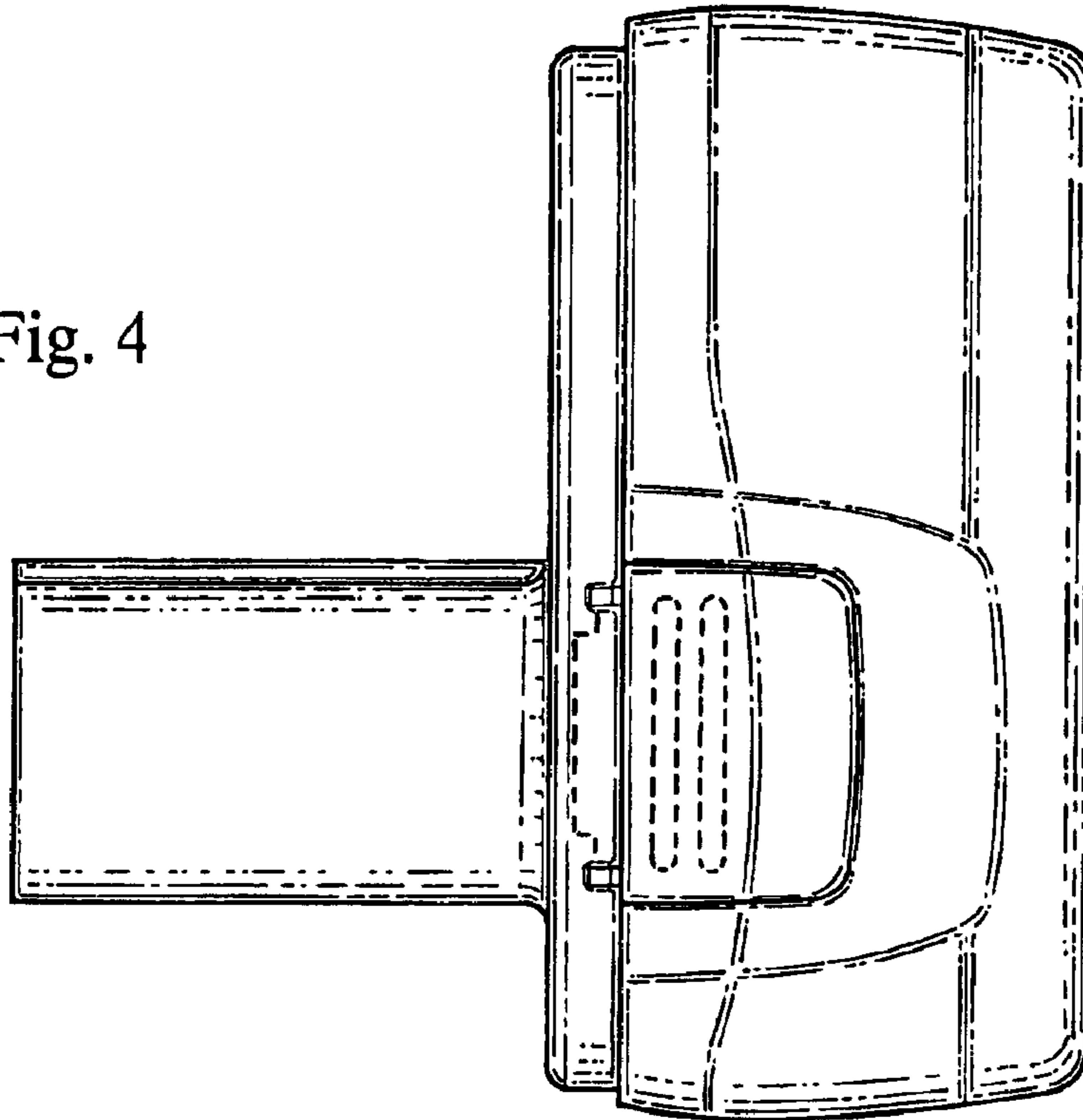


Fig. 5

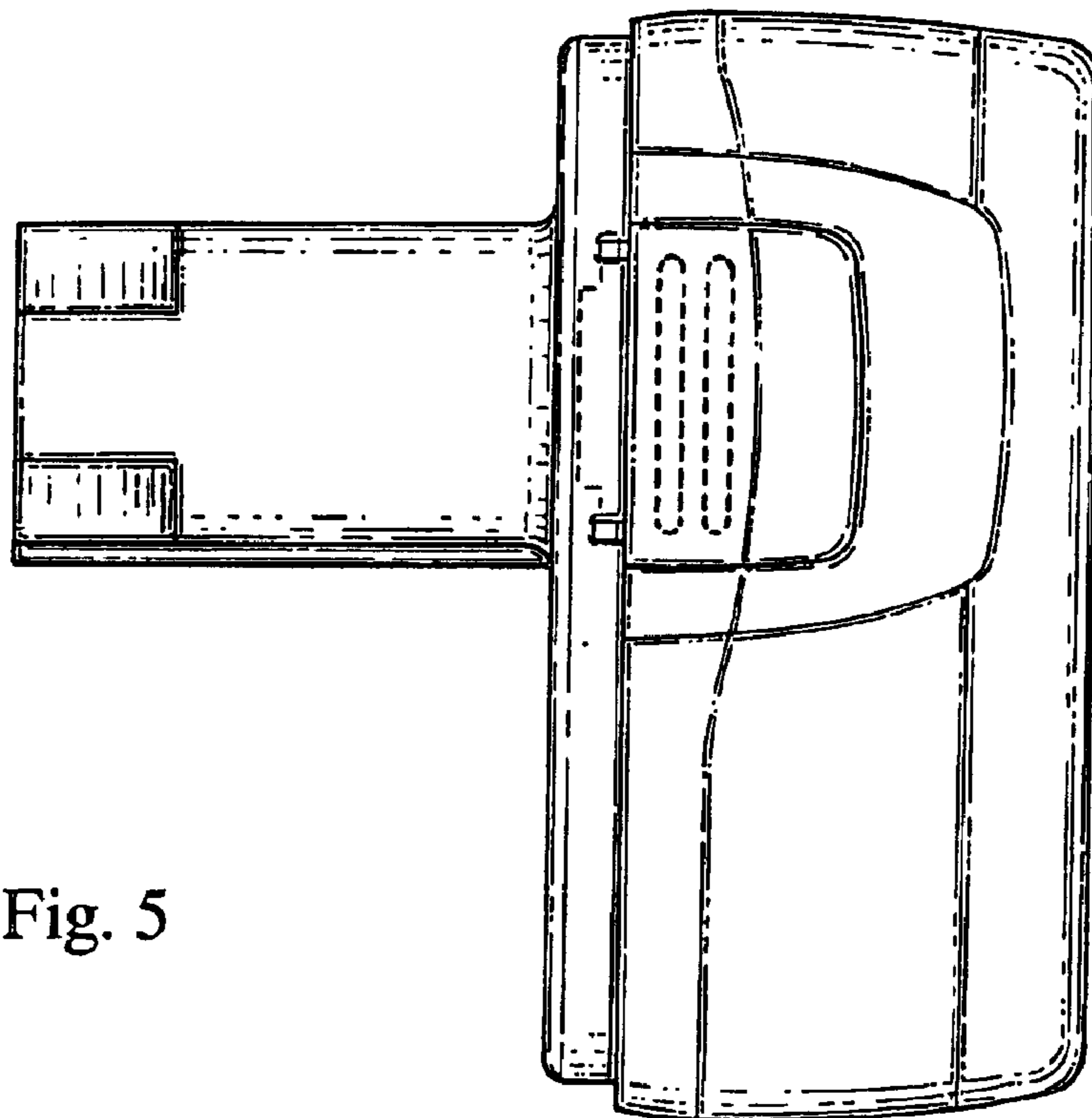


Fig. 6

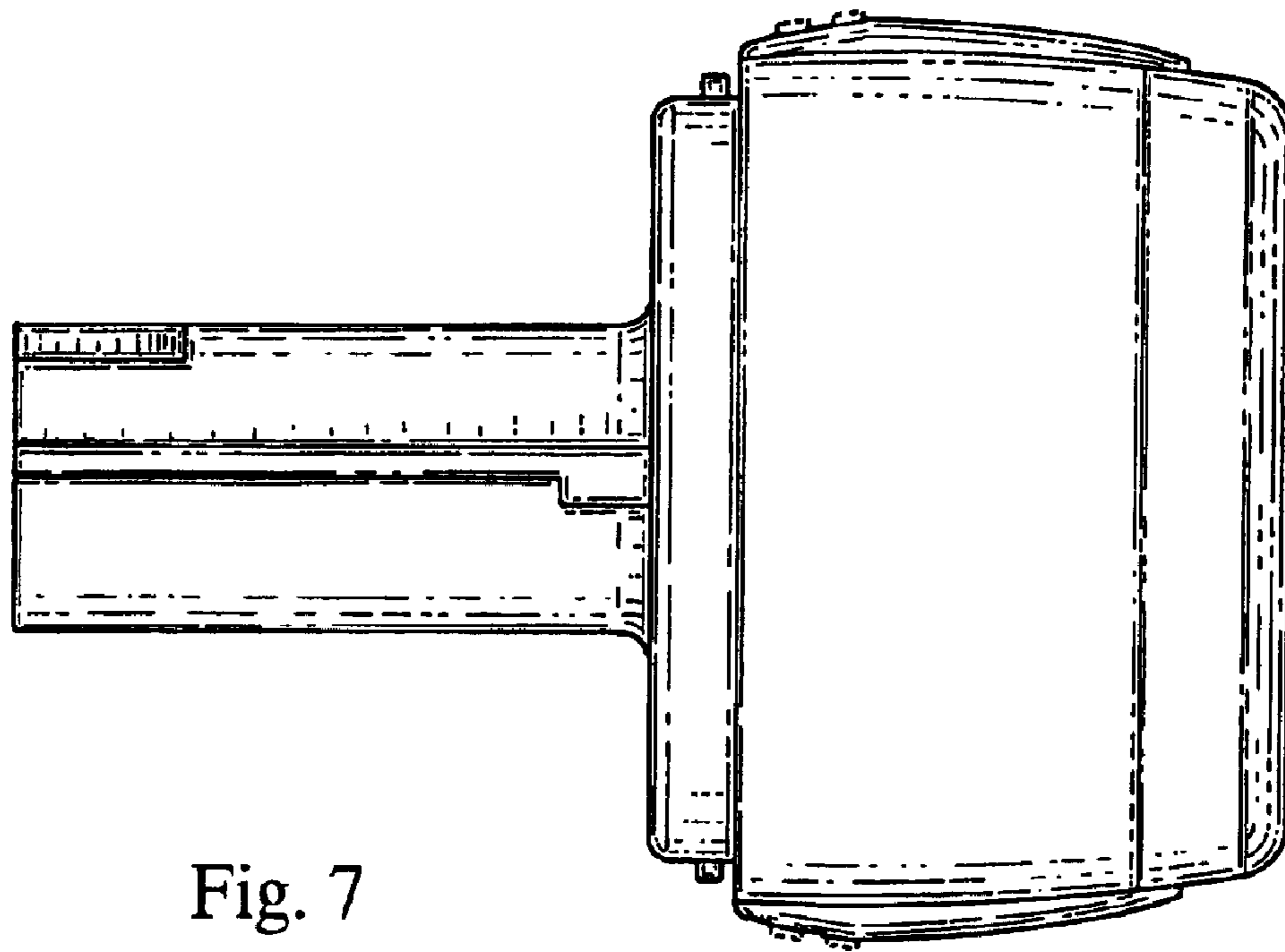
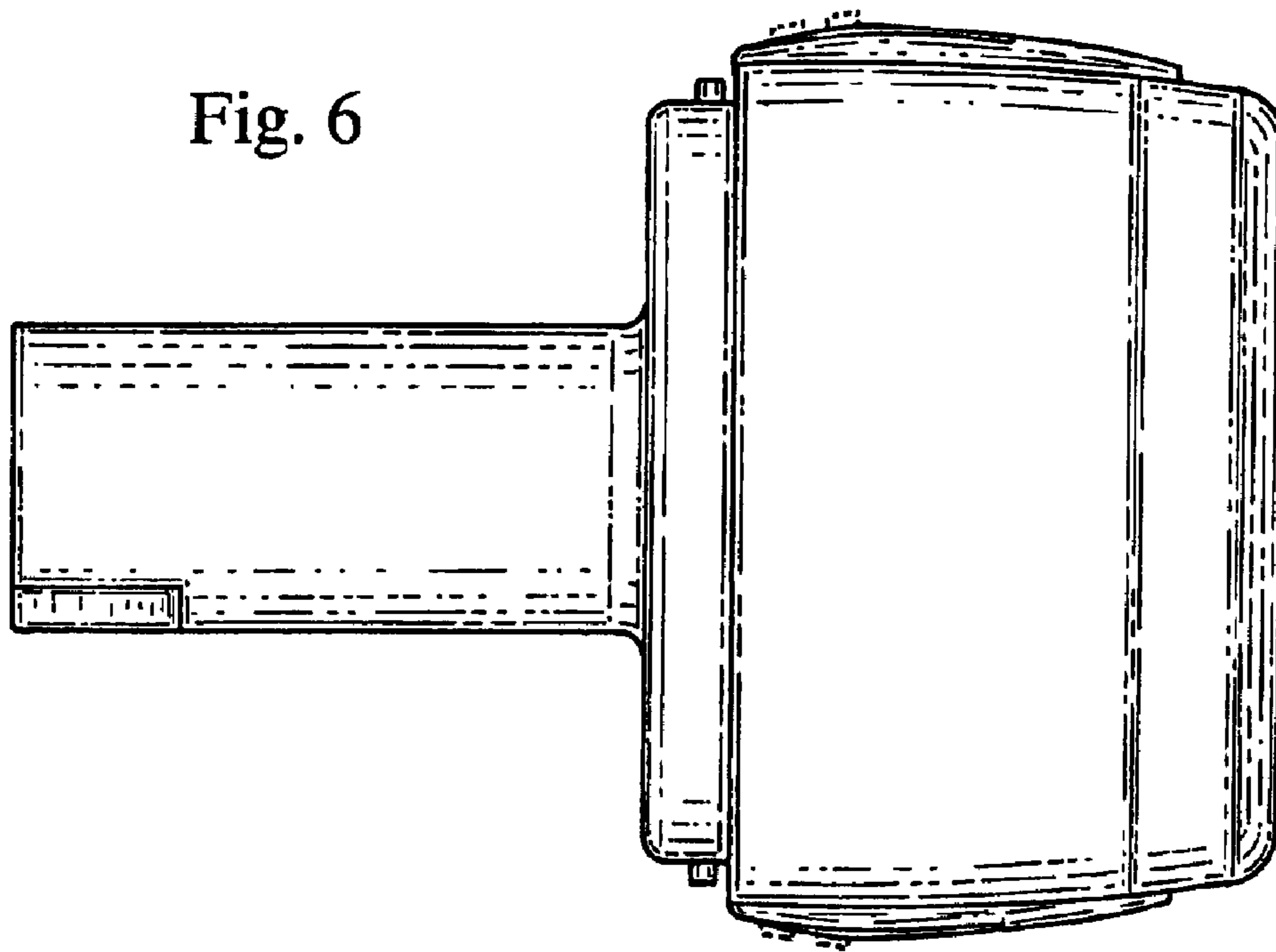


Fig. 7

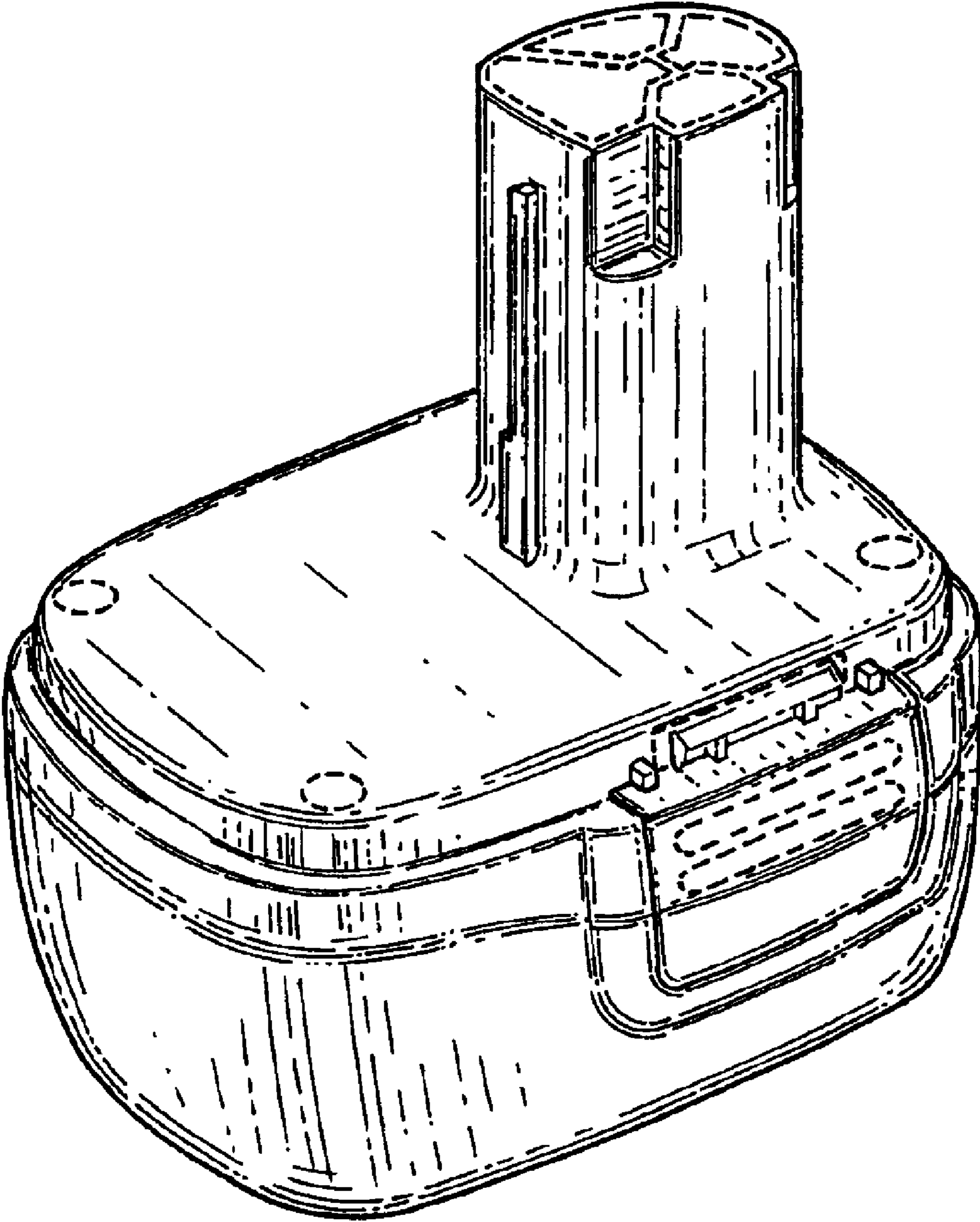


Fig. 8

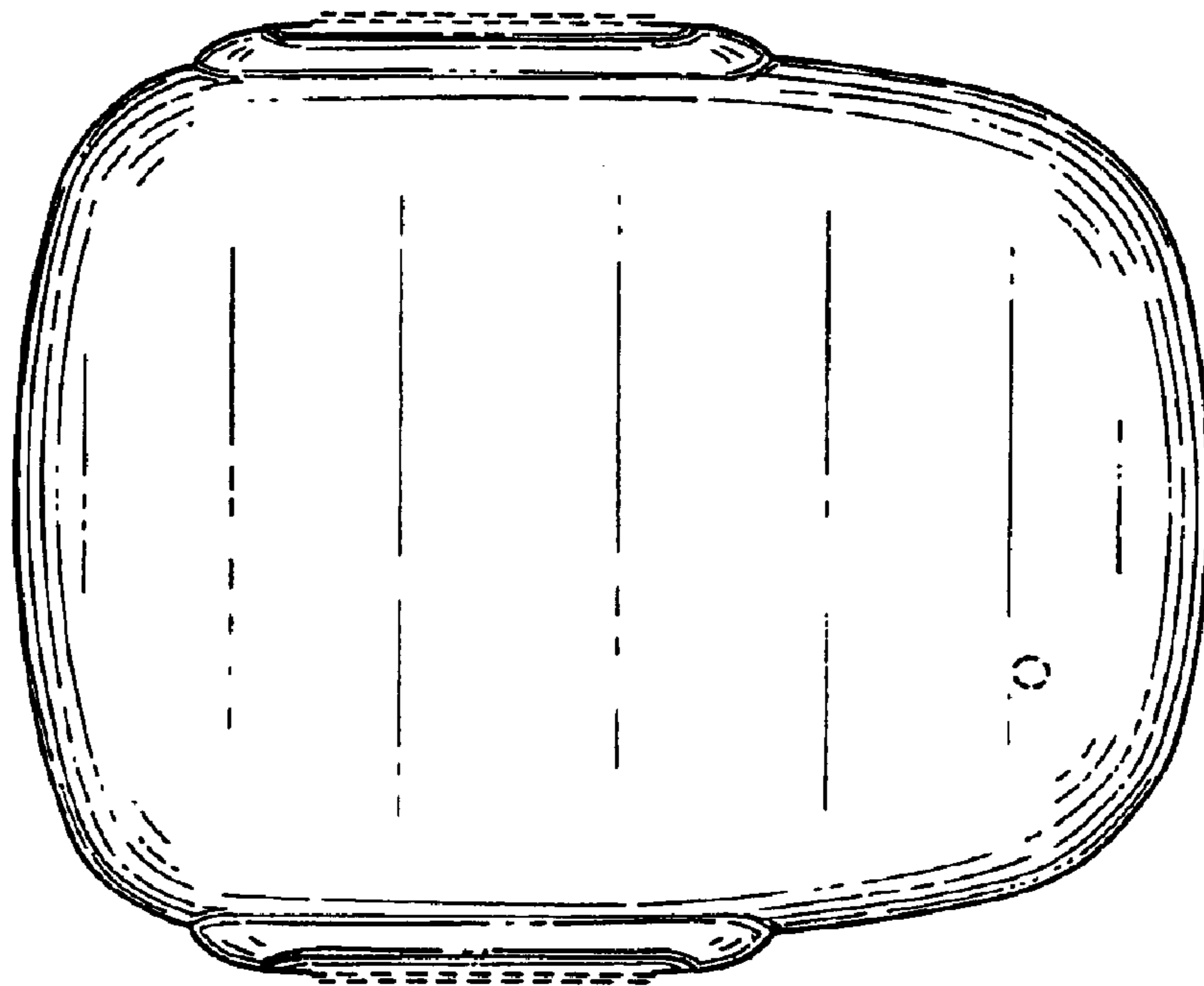


Fig. 9

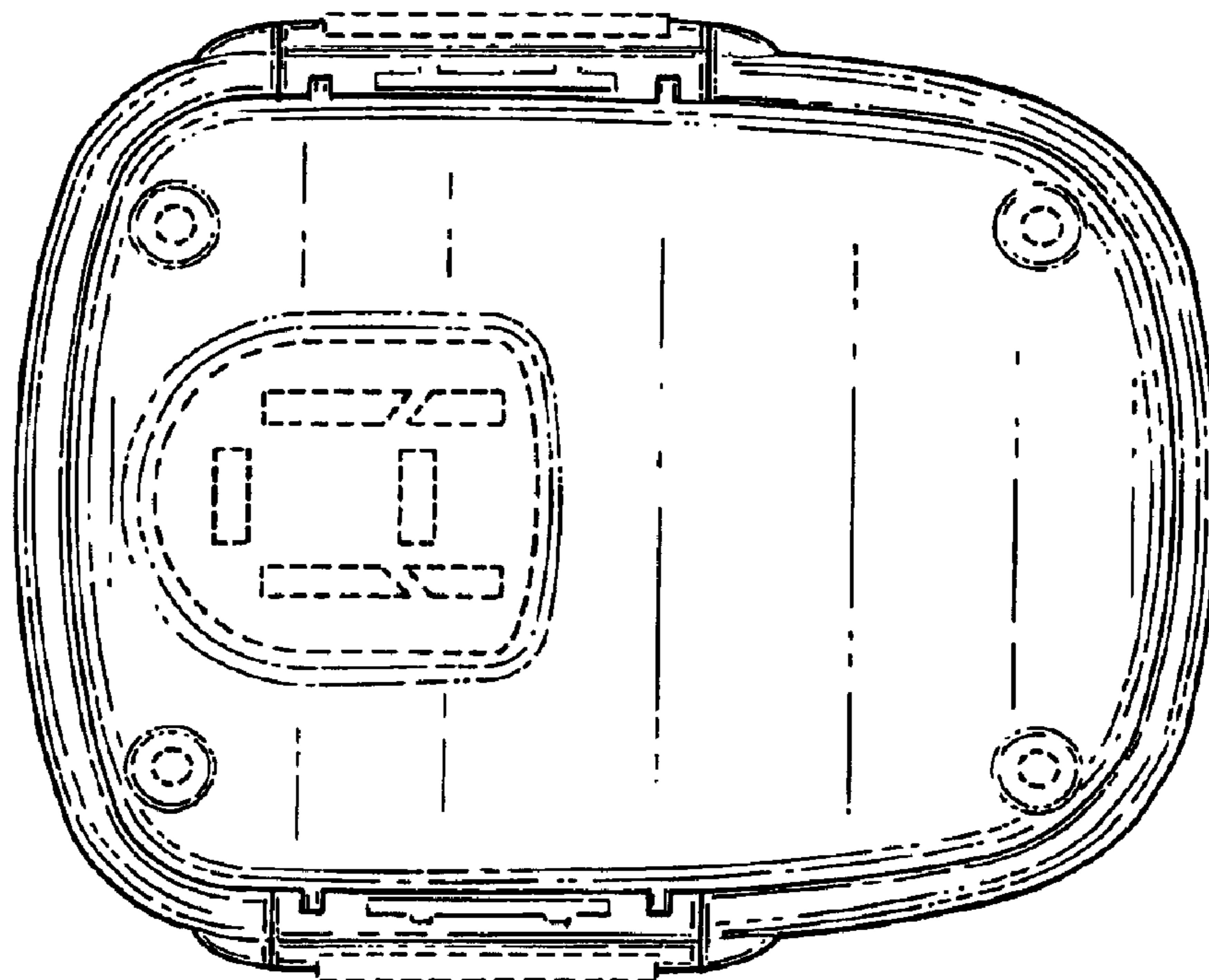


Fig. 10

Fig. 11

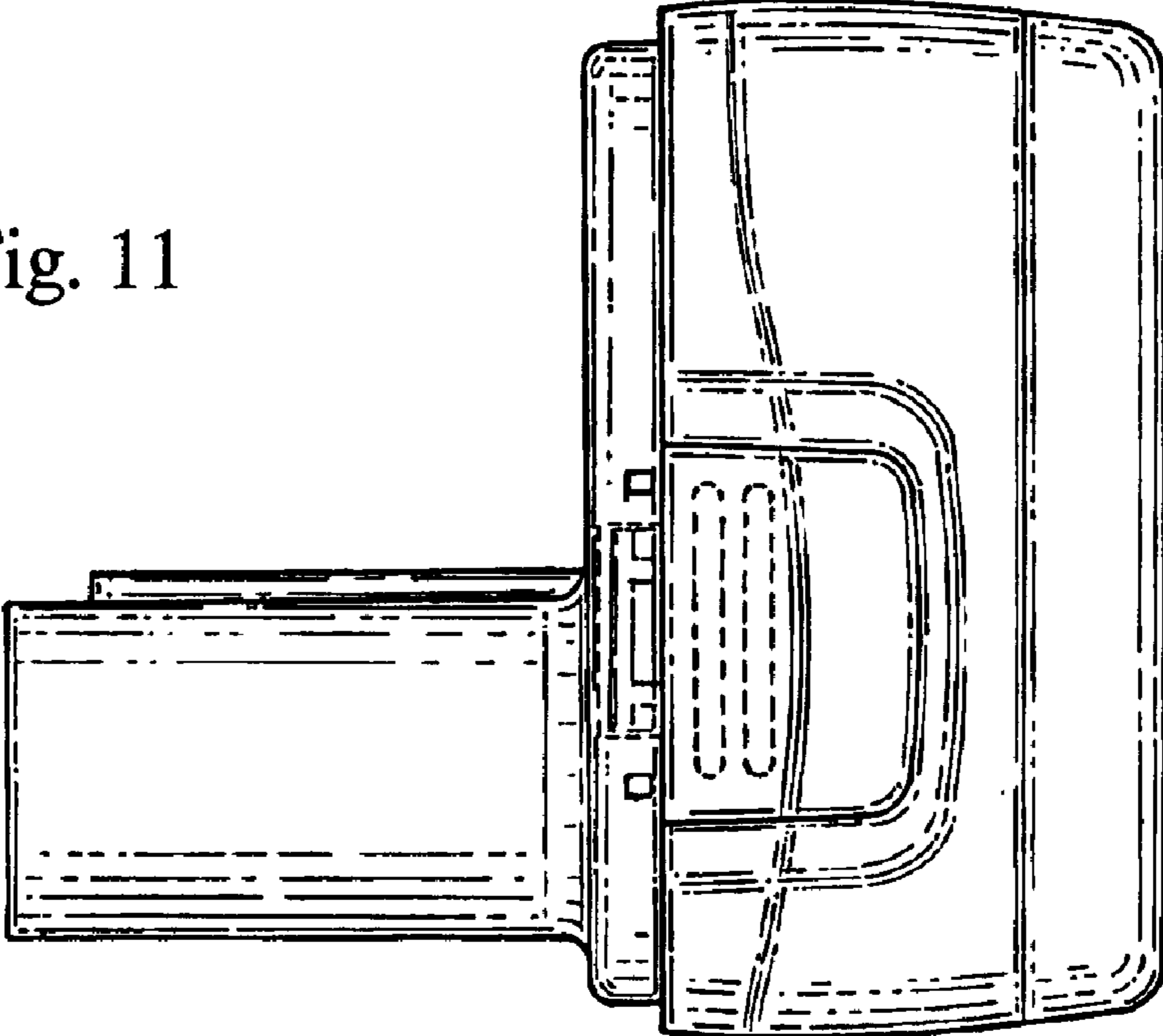


Fig. 12

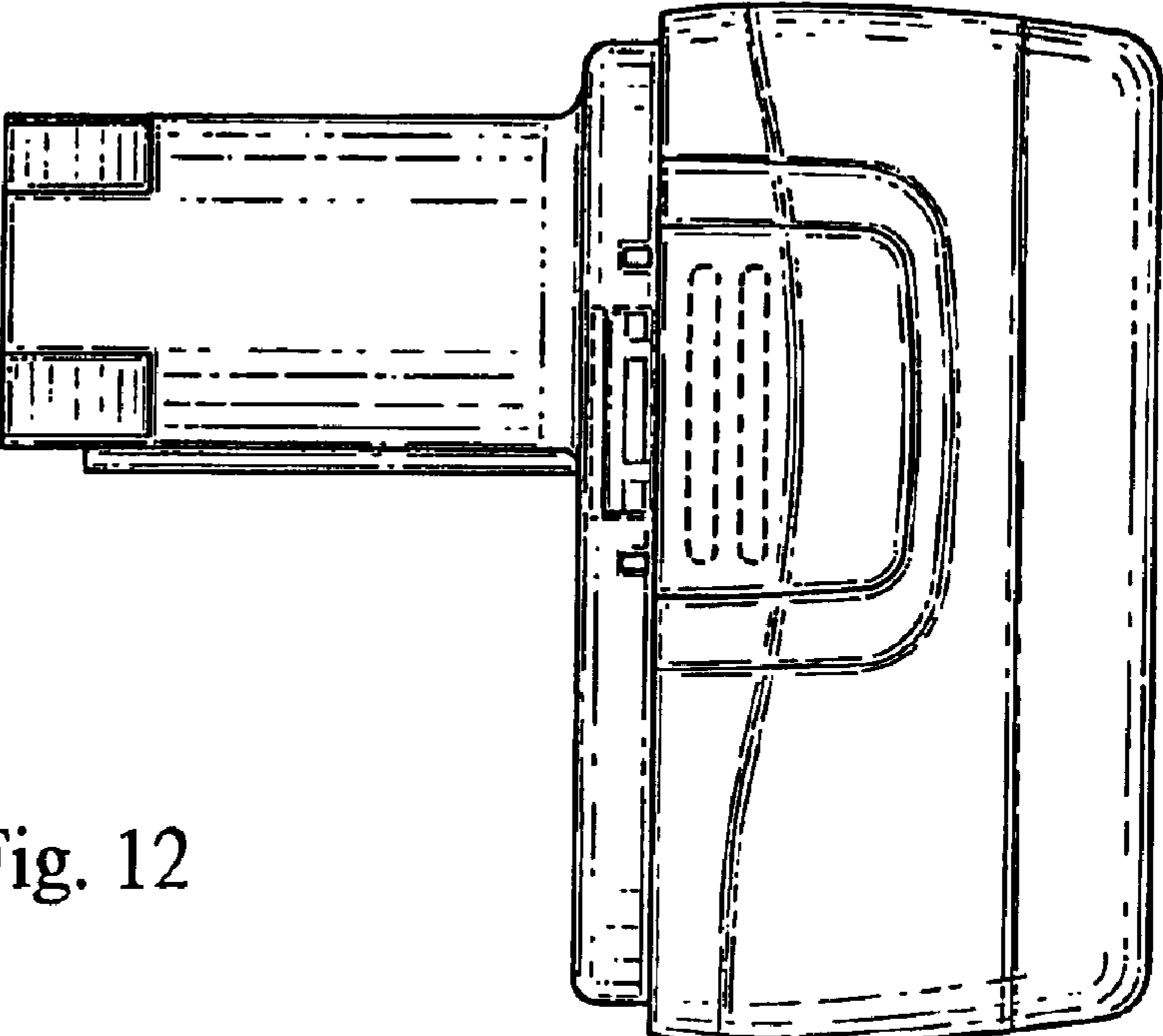




Fig. 13

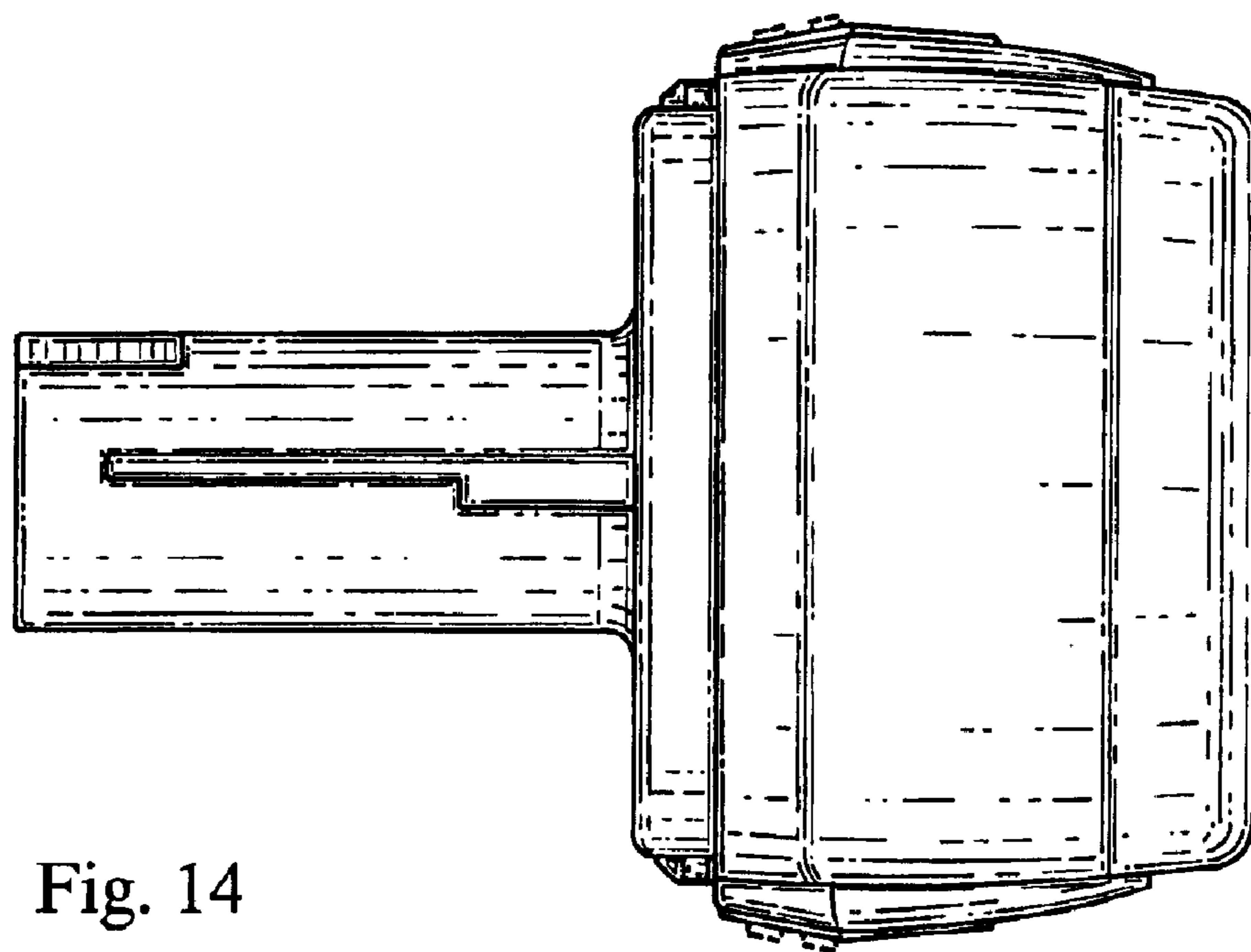
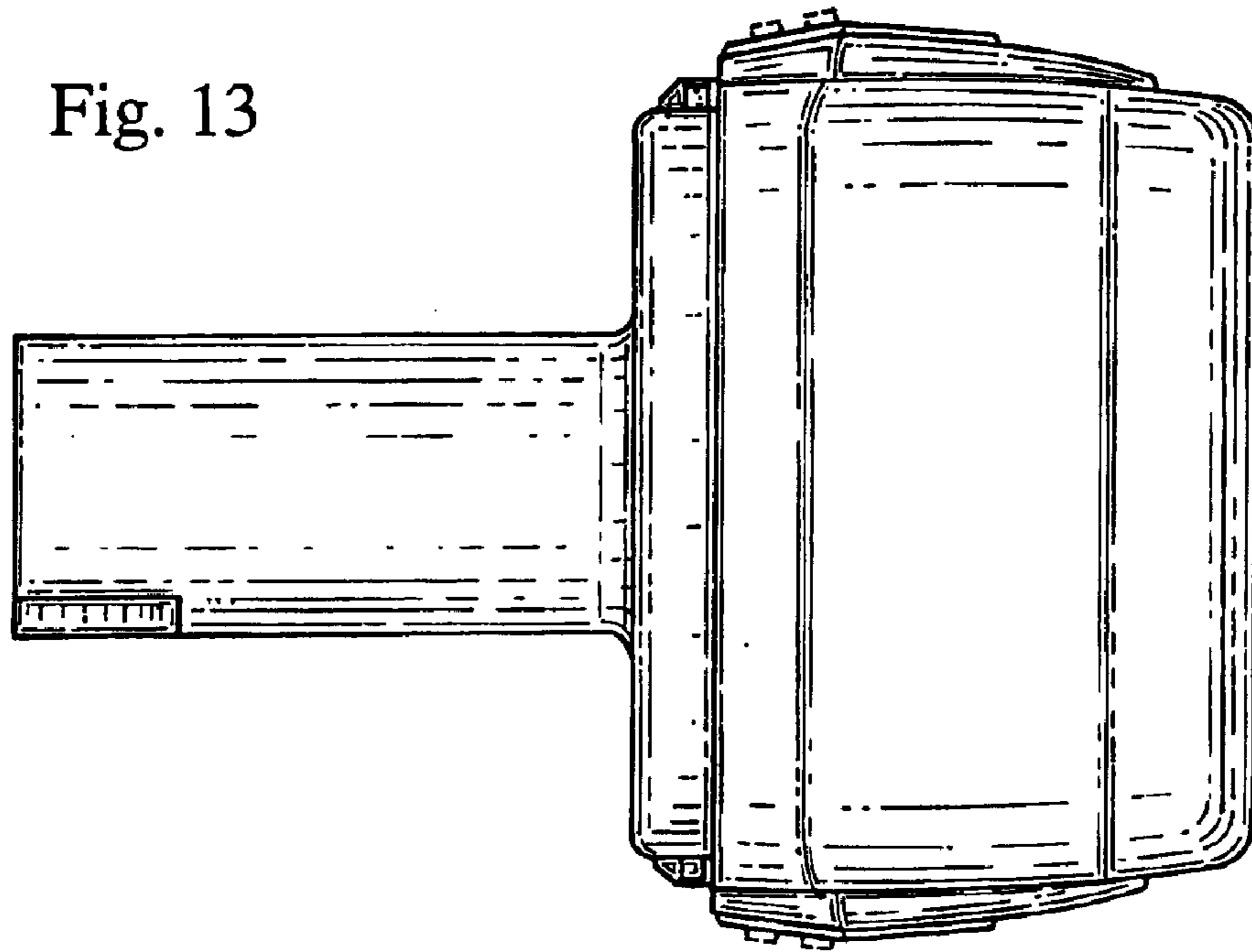


Fig. 14

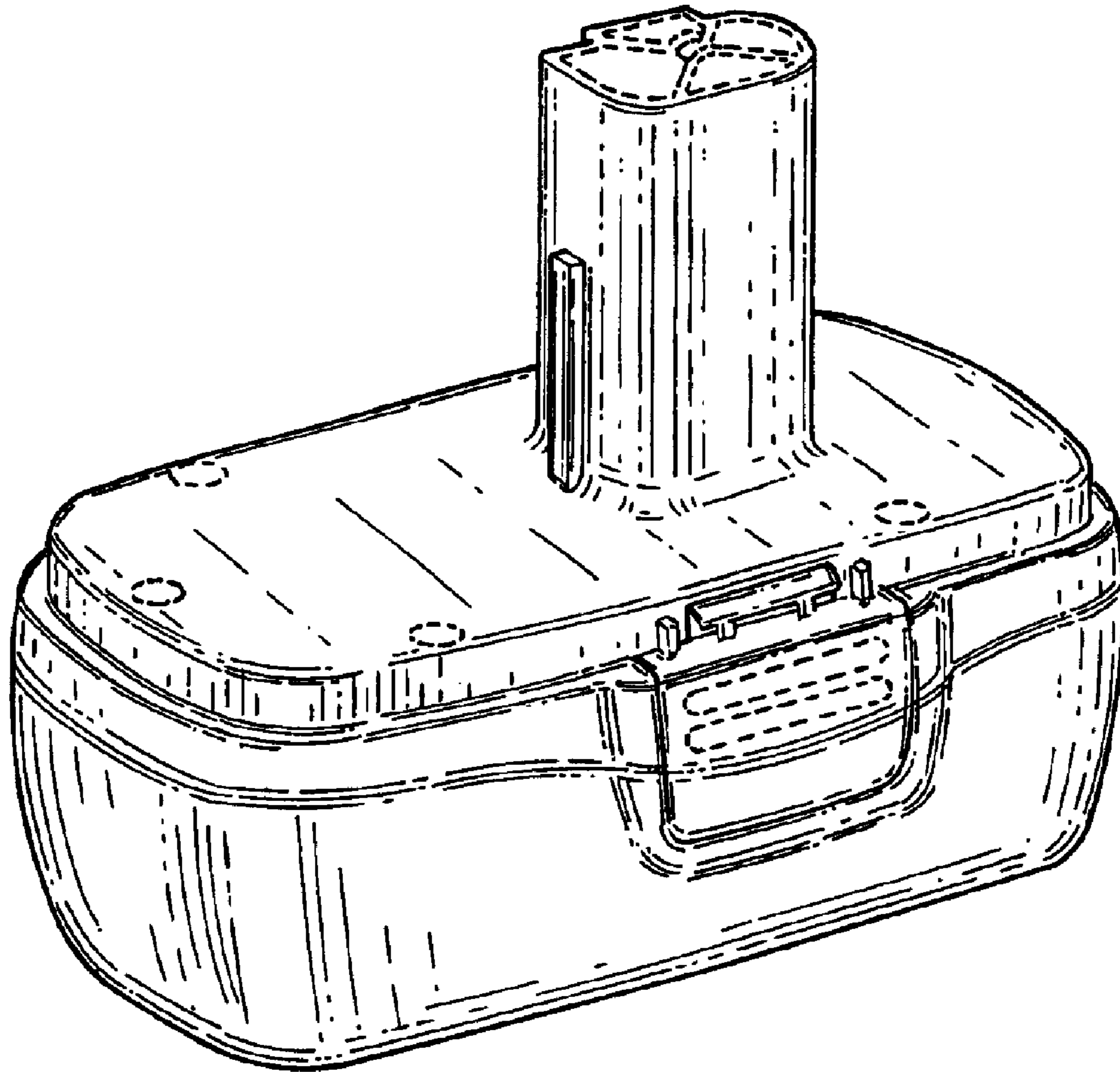


Fig. 15

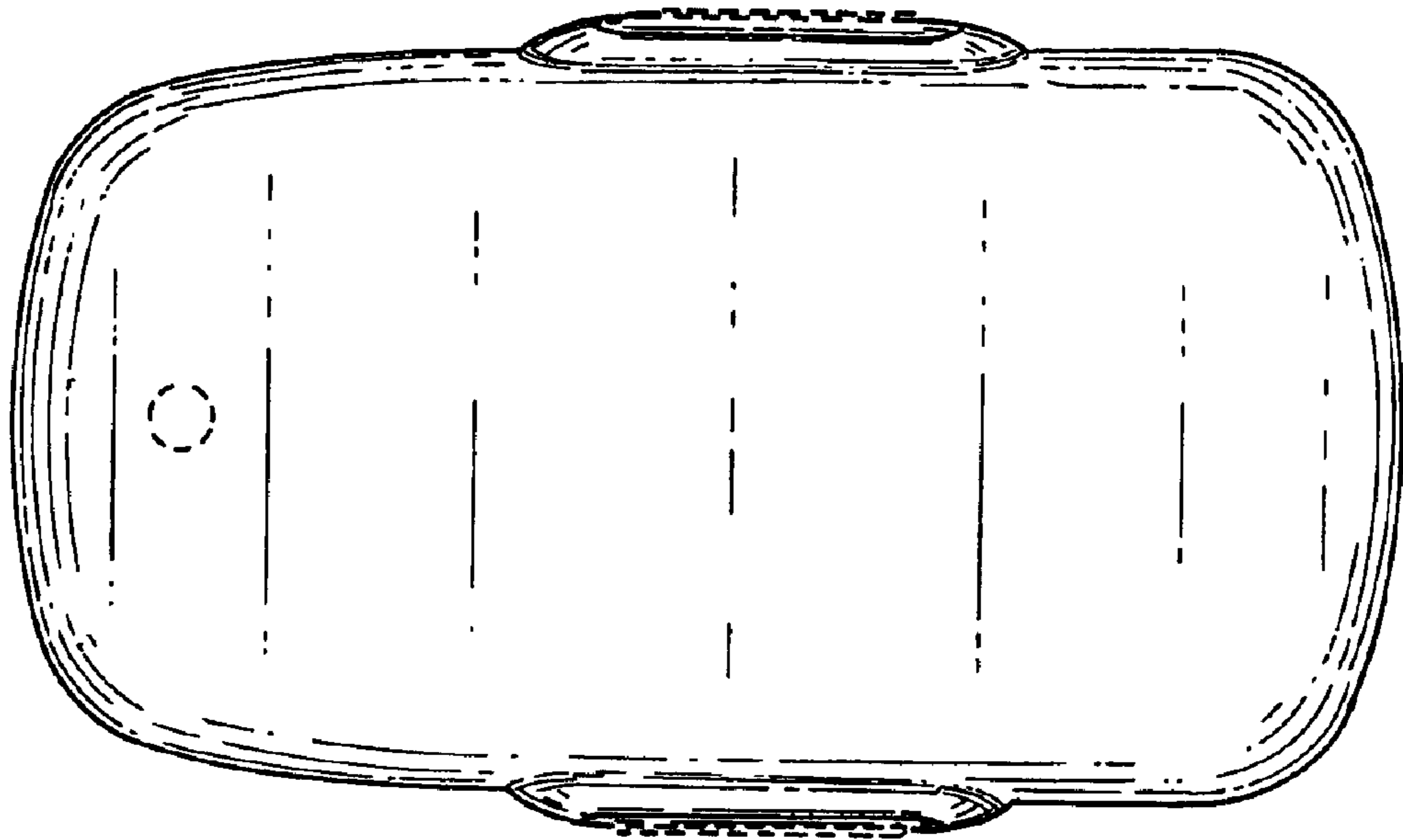


Fig. 16

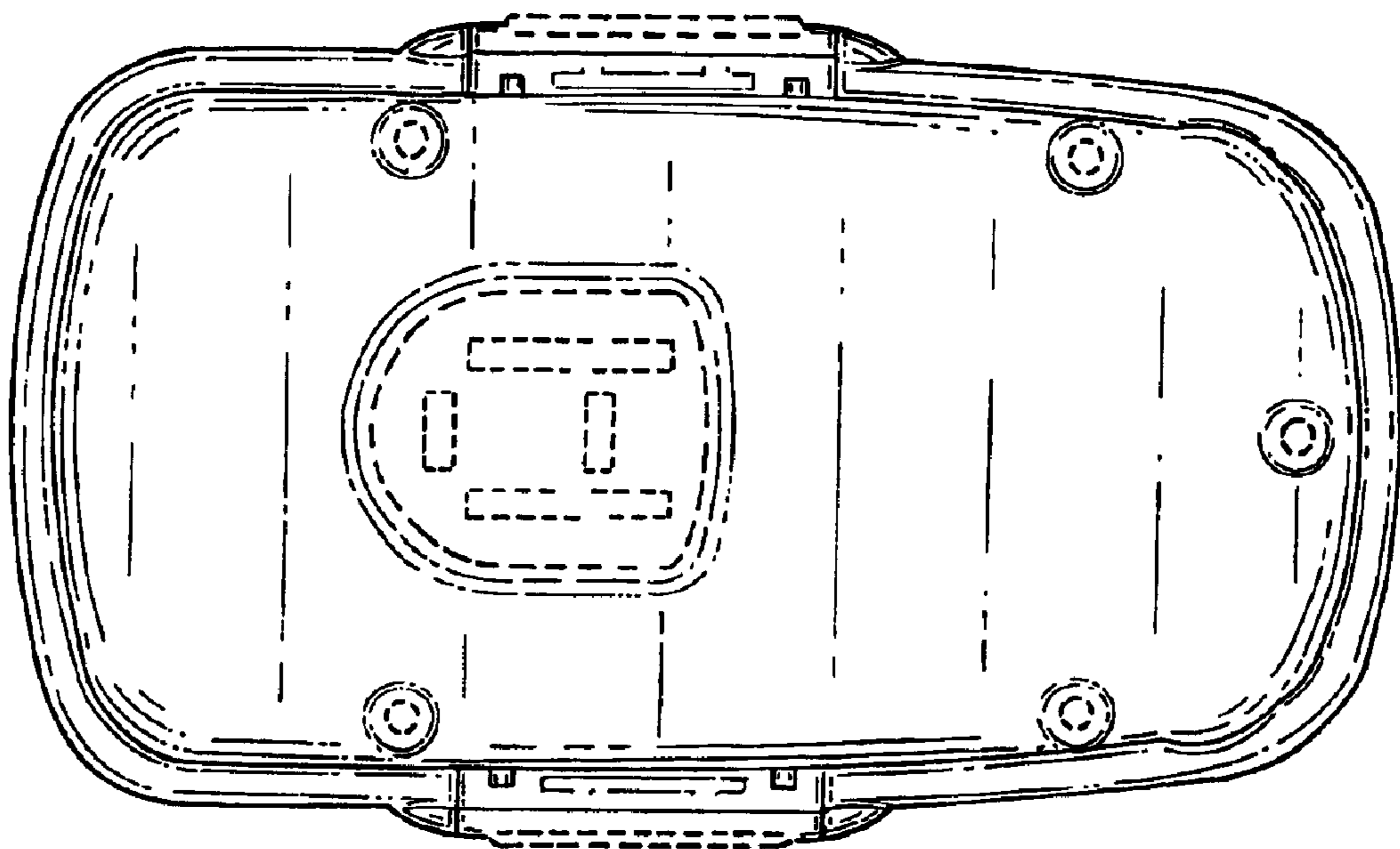


Fig. 17

Fig. 18

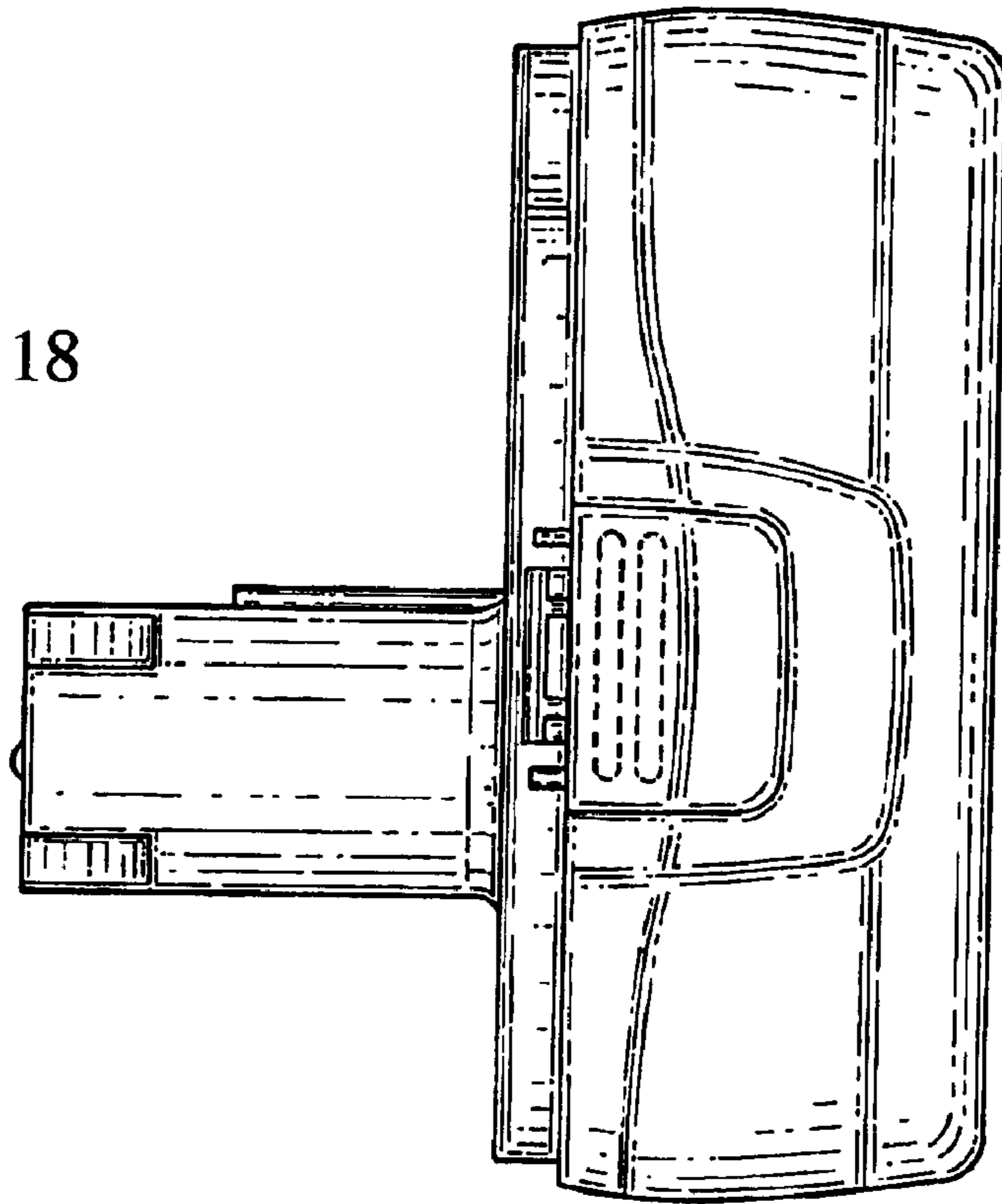


Fig. 19

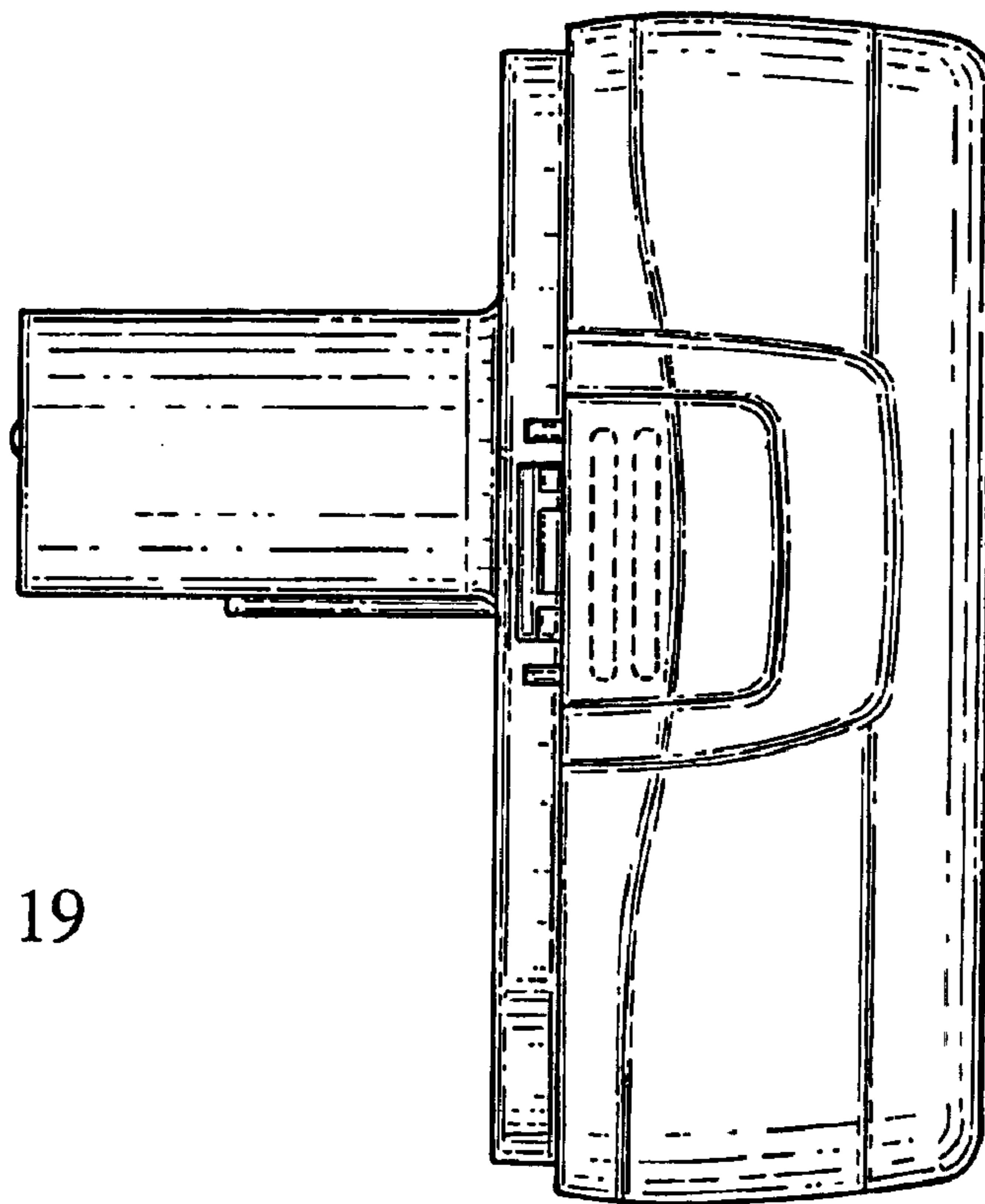


Fig. 20

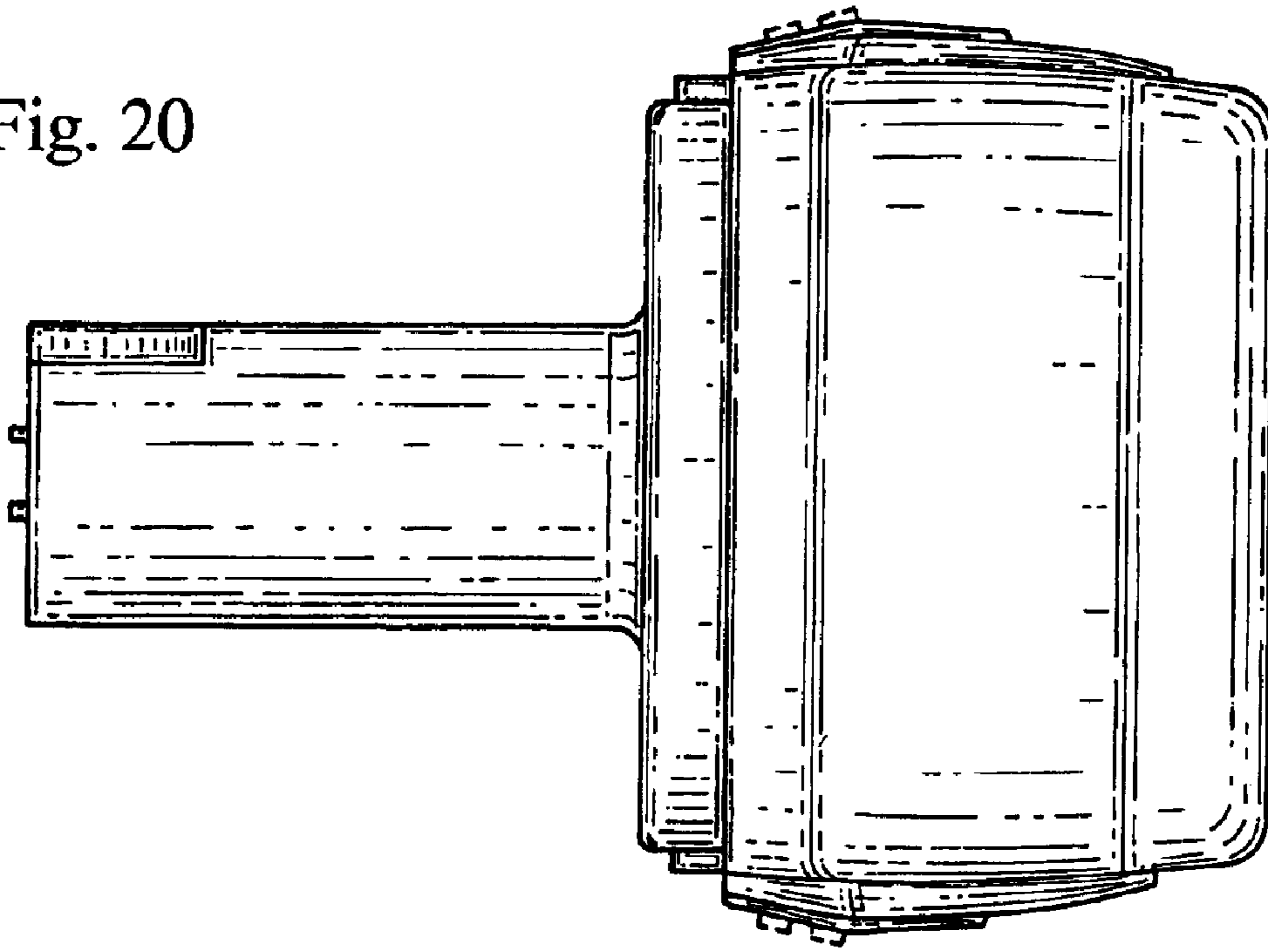


Fig. 21

