

US00D504382S

(12) **United States Design Patent**  
**Elmitt**

(10) **Patent No.: US D504,382 S**  
(45) **Date of Patent: \*\* Apr. 26, 2005**

(54) **FRONT FACE OF A VEHICLE WHEEL**

(75) **Inventor: Karl John Elmitt, Eching (DE)**

(73) **Assignee: Bayerische Motoren Werke  
Aktiengesellschaft, Munich (DE)**

(\*\*) **Term: 14 Years**

(21) **Appl. No.: 29/202,528**

(22) **Filed: Apr. 1, 2004**

(30) **Foreign Application Priority Data**

Oct. 2, 2003 (DE) ..... 40306561

(51) **LOC (7) Cl. .... 12-16**

(52) **U.S. Cl. .... D12/211**

(58) **Field of Search ..... D12/204-213;  
301/37.101, 64.101, 65**

(56) **References Cited**

**U.S. PATENT DOCUMENTS**

D414,454 S \* 9/1999 Chung ..... D12/211  
D451,467 S \* 12/2001 Chung ..... D12/211

D457,119 S \* 5/2002 Braun et al. .... D12/211  
D473,836 S \* 4/2003 Laengerer ..... D12/211  
D486,115 S \* 2/2004 Chung ..... D12/211  
D487,420 S \* 3/2004 Kang ..... D12/211  
D490,760 S \* 6/2004 Sands ..... D12/209  
D497,870 S \* 11/2004 Cahyono ..... D12/211

\* cited by examiner

*Primary Examiner*—Stacia Cadmus

(74) *Attorney, Agent, or Firm*—Crowell & Moring LLP

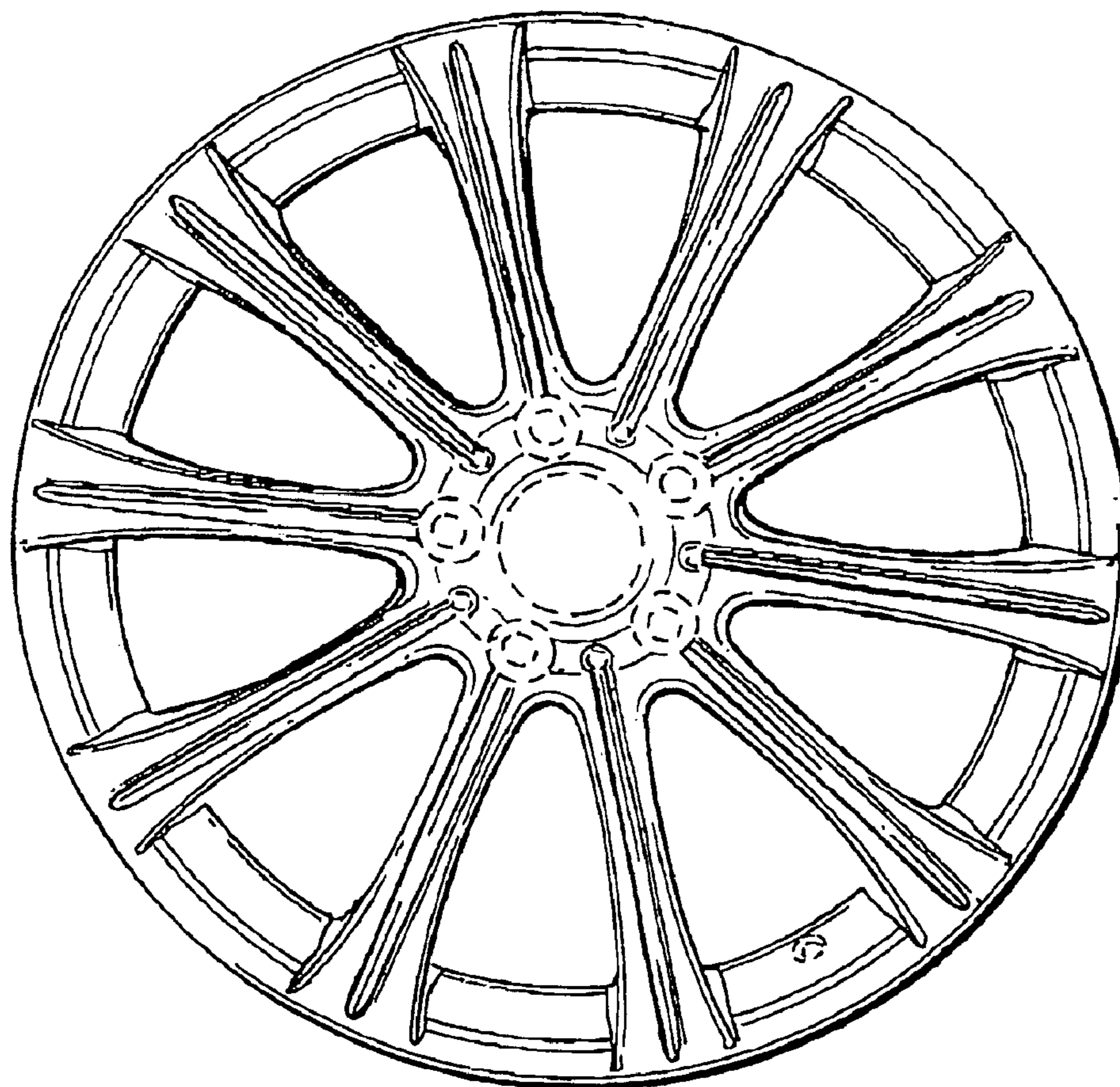
(57) **CLAIM**

The ornamental design for a front face of a vehicle wheel, as shown and described.

**DESCRIPTION**

FIG. 1 is a front view of a front face of a vehicle wheel according to my novel design; and, FIG. 2 is a perspective view of the front face of a vehicle wheel according to my novel design. The broken lines are for illustrative purposes only and form no part of the claimed design.

**1 Claim, 1 Drawing Sheet**



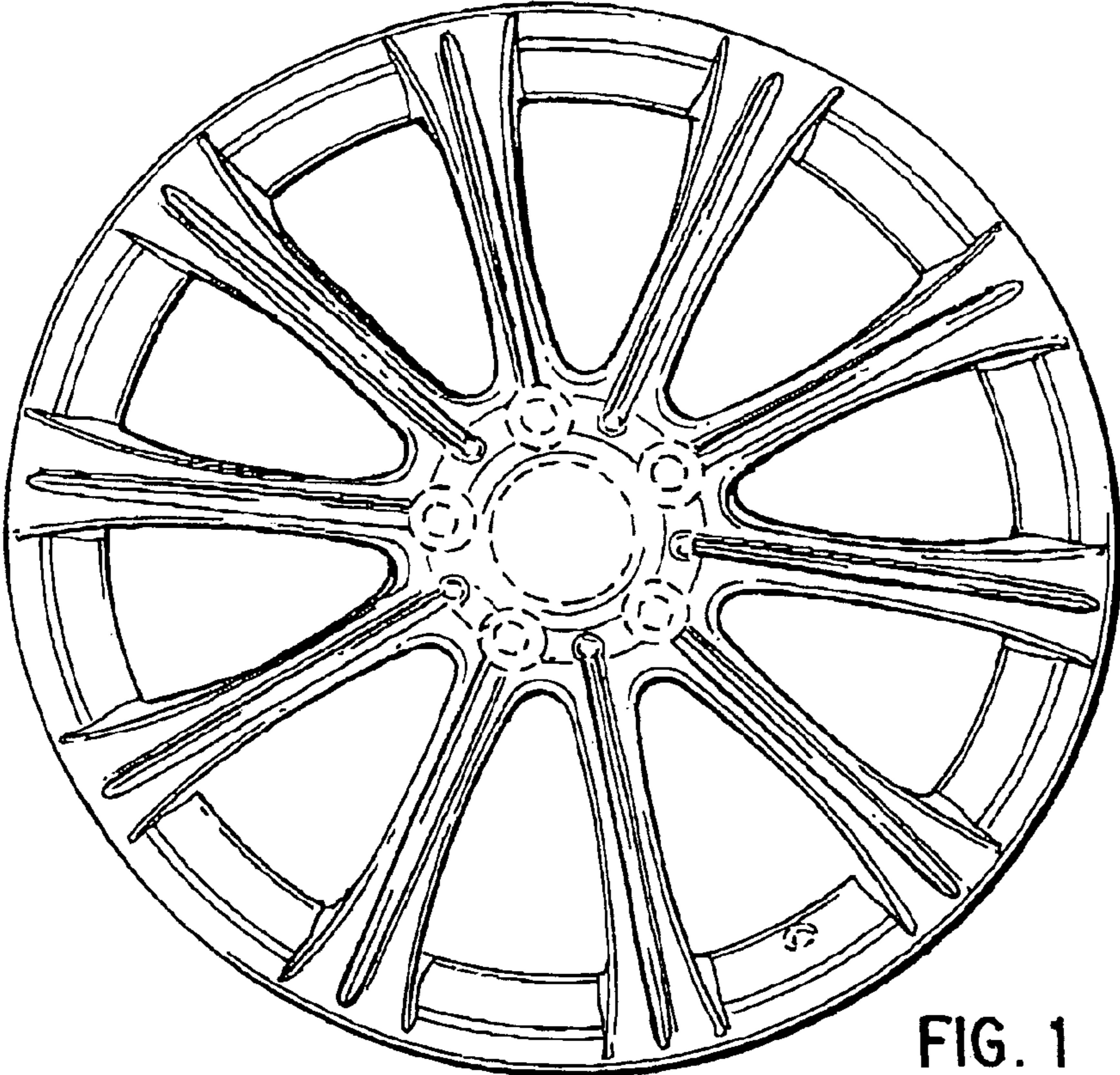


FIG. 1

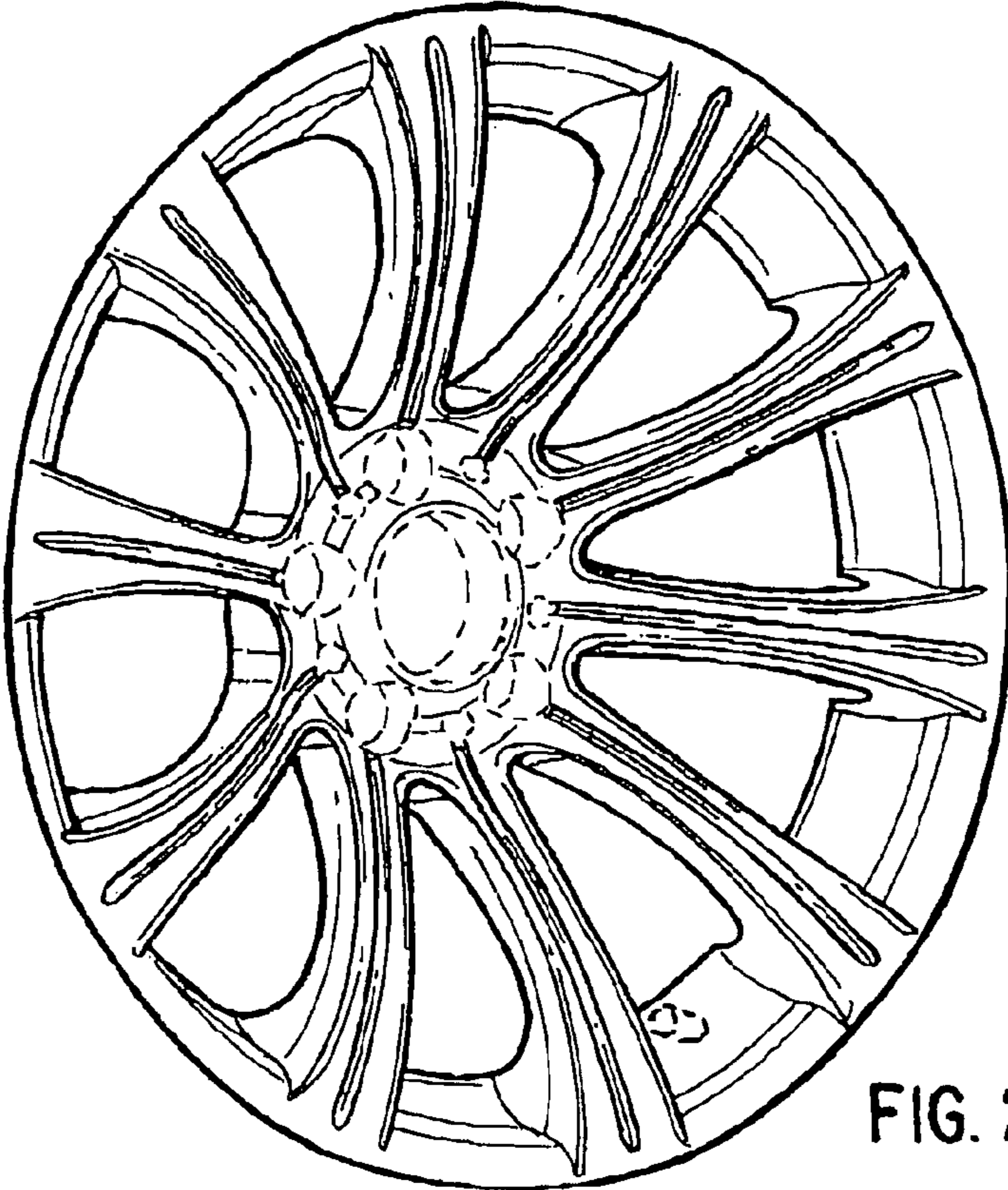


FIG. 2