

US00D504381S

(12) **United States Design Patent**
Rice

(10) **Patent No.:** **US D504,381 S**
(45) **Date of Patent:** **** Apr. 26, 2005**

(54) **FRONT FACE OF A VEHICLE WHEEL**

(75) Inventor: **Kevin Rice**, Feldkirchen (DE)

(73) Assignee: **Bayerische Motoren Werke Aktiengesellschaft**, Munich (DE)

(**) Term: **14 Years**

(21) Appl. No.: **29/194,468**

(22) Filed: **Nov. 26, 2003**

(30) **Foreign Application Priority Data**

May 28, 2003 (DE) 4 03 03 911

(51) **LOC (7) Cl.** **12-16**

(52) **U.S. Cl.** **D12/211**

(58) **Field of Search** D12/204-213;
301/37.101, 64.101, 65

(56) **References Cited**

U.S. PATENT DOCUMENTS

- D384,634 S * 10/1997 Cullen D12/211
- D428,846 S * 8/2000 Yoshida et al. D12/211
- D432,974 S * 10/2000 Jablonski D12/211
- D438,505 S * 3/2001 McMath D12/211

- D450,647 S * 11/2001 Pfeiffer D12/211
- D458,571 S * 6/2002 Maifrini D12/209
- D460,942 S * 7/2002 Lee D12/211
- D463,769 S * 10/2002 Chung D12/211
- D469,048 S * 1/2003 van Hooydonk D12/209
- D480,343 S * 10/2003 Oh D12/209
- D492,235 S * 6/2004 Nordmann D12/211
- D493,762 S * 8/2004 Kang D12/211

* cited by examiner

Primary Examiner—Stacia Cadmus

(74) *Attorney, Agent, or Firm*—Crowell & Moring LLP

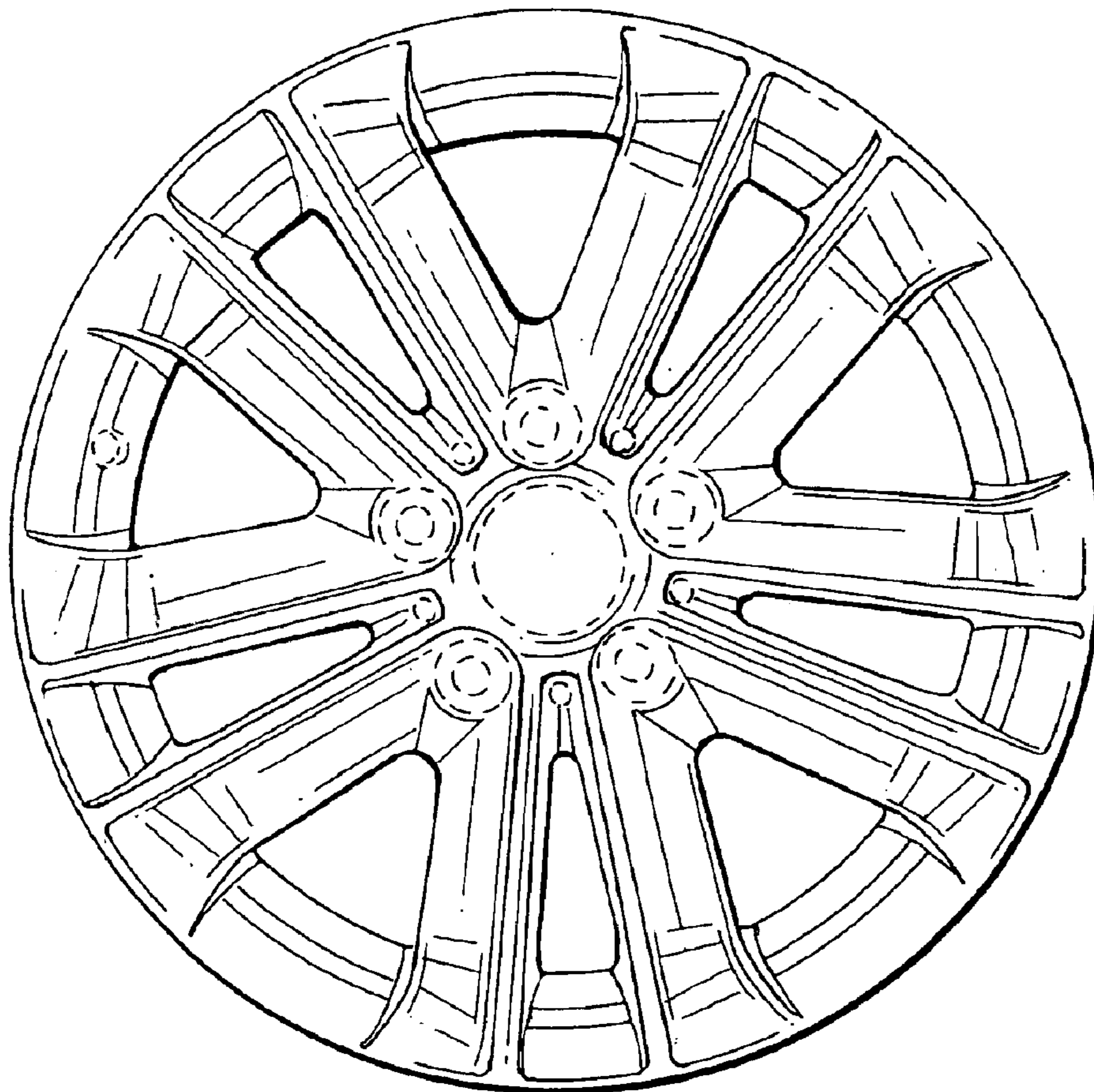
(57) **CLAIM**

The ornamental design for a front face of a vehicle wheel, as shown and described.

DESCRIPTION

FIG. 1 is a front view of a front face of a vehicle wheel according to my novel design; and, FIG. 2 is a perspective view of the front face of a vehicle wheel according to my novel design. The broken lines are for illustrative purposes only and form no part of the claimed design.

1 Claim, 1 Drawing Sheet



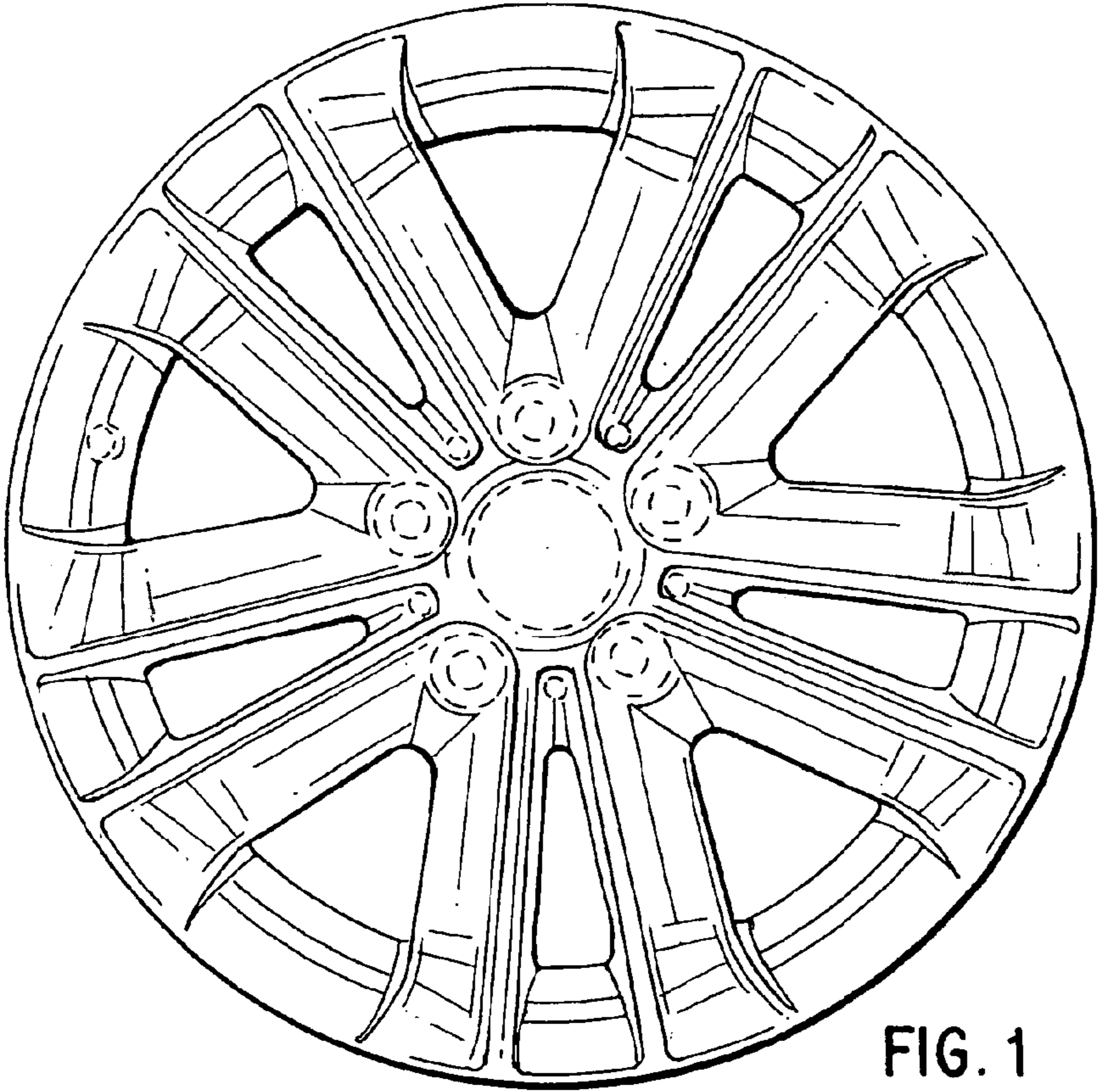


FIG. 1

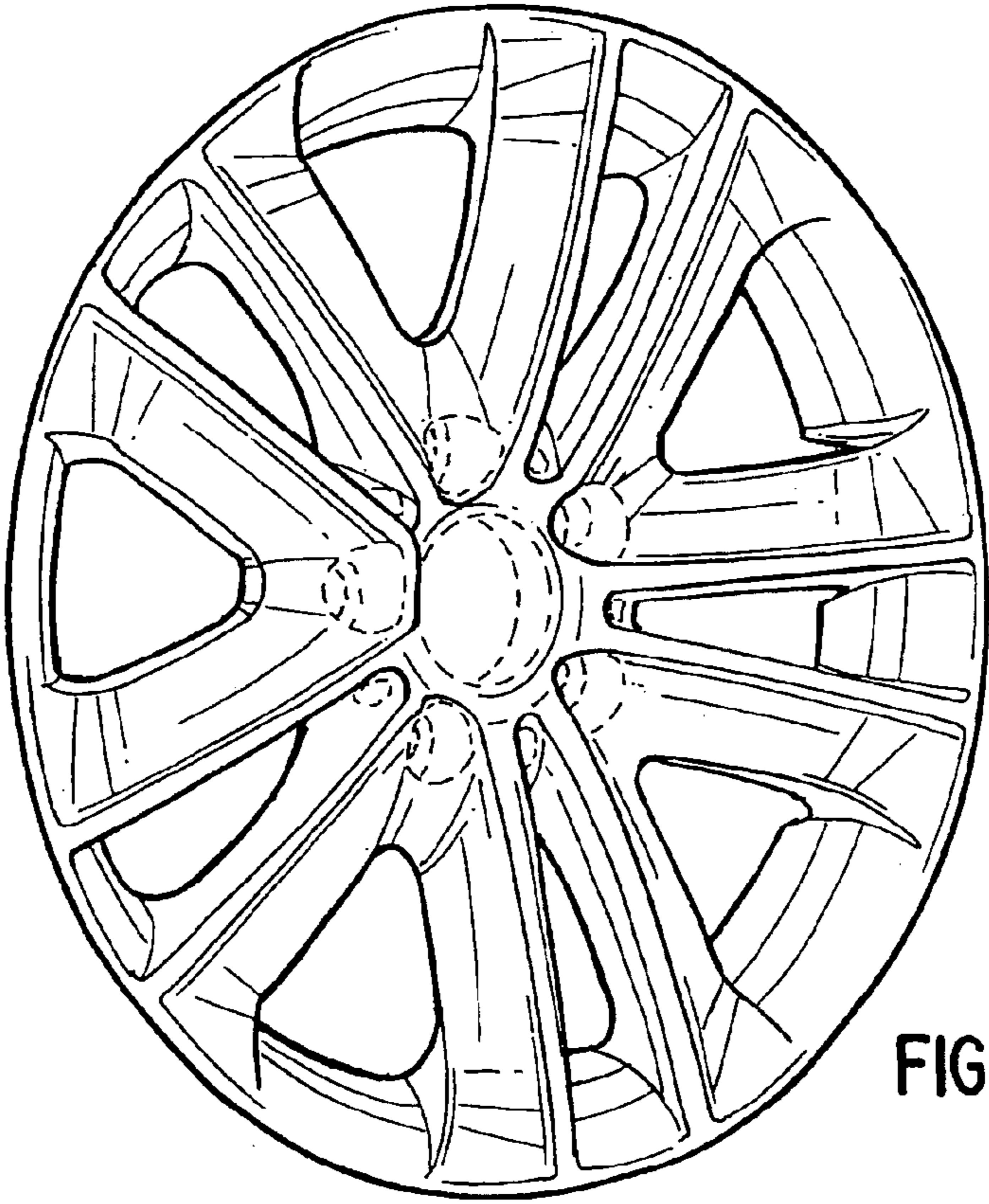


FIG. 2