

US00D504379S

(12) **United States Design Patent**
Kern

(10) **Patent No.:** **US D504,379 S**
(45) **Date of Patent:** **** Apr. 26, 2005**

(54) **WHEEL**

(75) **Inventor:** **Steven J. Kern**, Playa del Rey, CA
(US)

(73) **Assignee:** **GB Automotive Products, Inc.**,
Hawthorne, CA (US)

(**) **Term:** **14 Years**

(21) **Appl. No.:** **29/210,641**

(22) **Filed:** **Aug. 4, 2004**

(51) **LOC (7) Cl.** **12-16**

(52) **U.S. Cl.** **D12/209**

(58) **Field of Search** D12/204-213;
301/37.101, 64.101, 65

(56) **References Cited**

U.S. PATENT DOCUMENTS

- D381,950 S * 8/1997 Clement D12/211
- D396,838 S * 8/1998 Mills D12/209
- D441,705 S * 5/2001 Brintouch D12/204

- D442,531 S * 5/2001 Brintouch D12/204
- D449,810 S * 10/2001 Hussaini et al. D12/209
- D466,851 S * 12/2002 Pfeiffer et al. D12/211
- D478,539 S * 8/2003 Brown et al. D12/209
- D481,346 S * 10/2003 Vian D12/211
- D493,407 S * 7/2004 Yu D12/211

* cited by examiner

Primary Examiner—Stacia Cadmus

(74) *Attorney, Agent, or Firm*—Stetina Brunda Garred &
Brucker; William J. Brucker

(57) **CLAIM**

The ornamental design for a wheel, as shown and described.

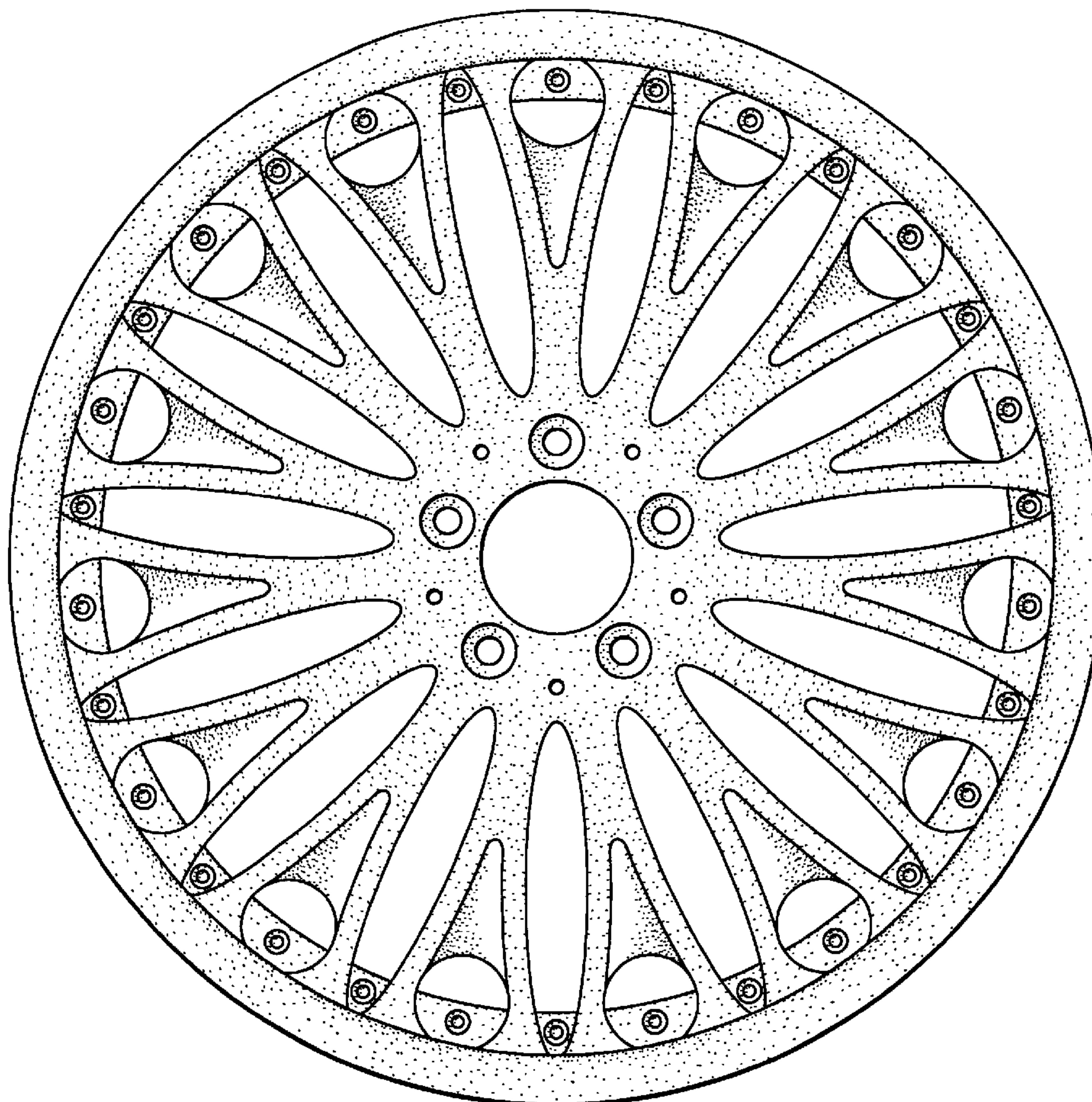
DESCRIPTION

FIG. 1 is a front perspective view of the wheel showing my new design;

FIG. 2 is a front elevational view of the wheel showing my new design; and,

FIG. 3 is a side elevational view thereof.

1 Claim, 2 Drawing Sheets



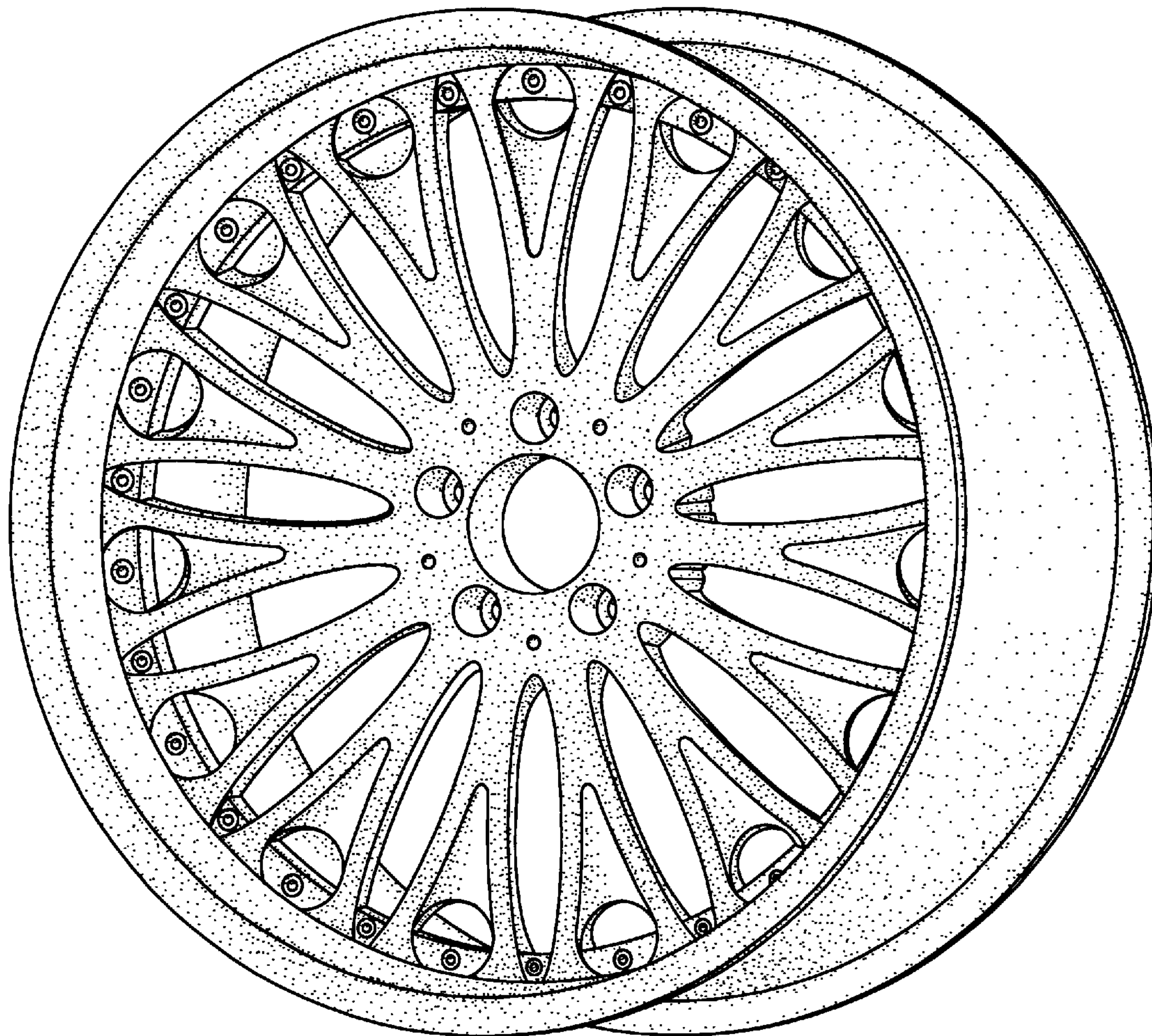


Fig. 1

Fig. 2

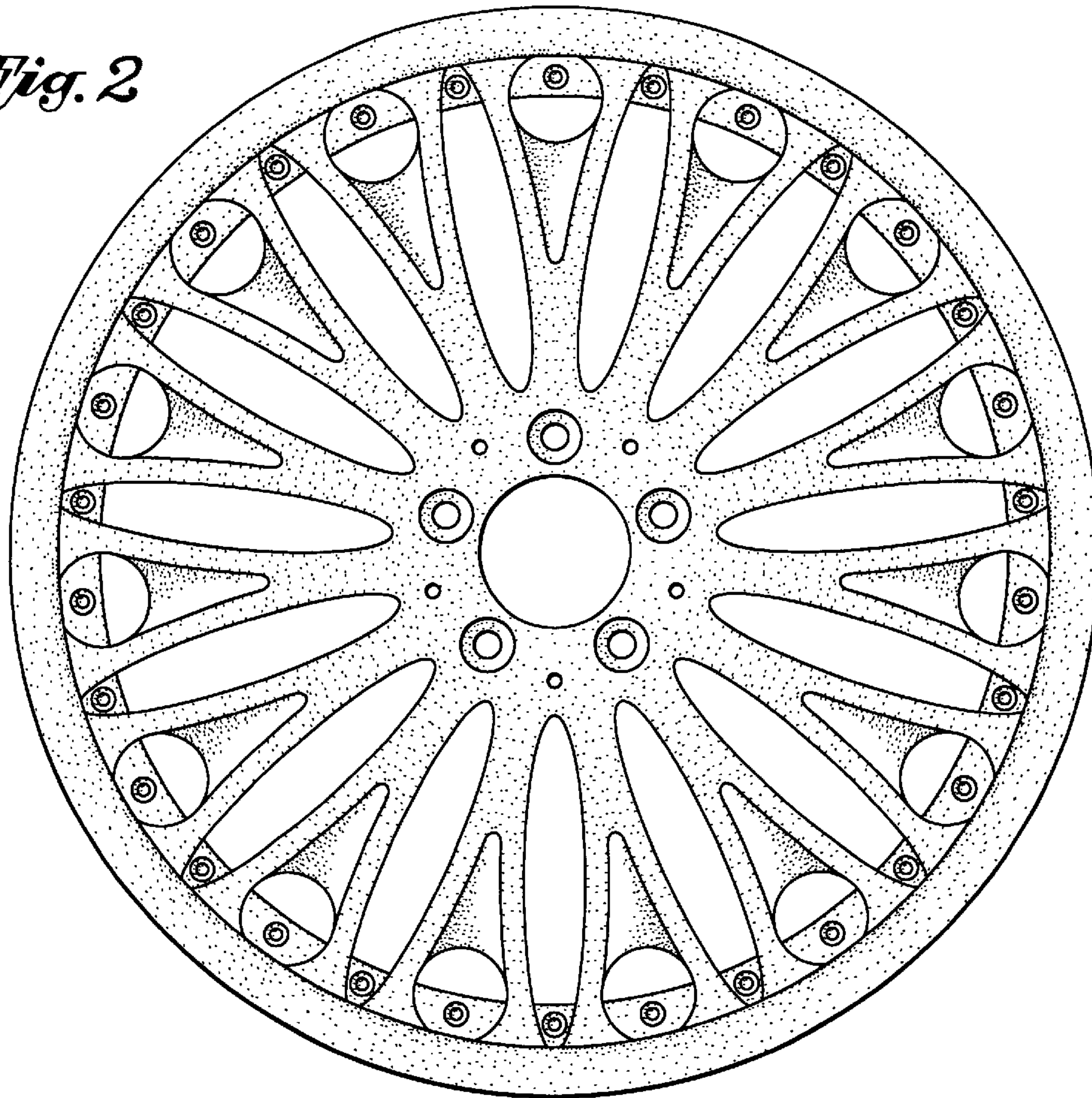


Fig. 3

