

US00D504378S

(12) **United States Design Patent**  
**Grossenbacher et al.**

(10) **Patent No.:** **US D504,378 S**  
(45) **Date of Patent:** **\*\* Apr. 26, 2005**

(54) **VEHICLE WHEEL**

(75) Inventors: **John L. Grossenbacher**, Cuyahoga Falls, OH (US); **Donald A. Hohman**, Akron, OH (US); **Steven F. Spiegel**, Edinboro, PA (US)

(73) Assignee: **Accuride Corporation**, Evansville, IN (US)

(\*\*) Term: **14 Years**

(21) Appl. No.: **29/177,546**

(22) Filed: **Mar. 11, 2003**

(51) **LOC (7) Cl.** ..... **12-16**

(52) **U.S. Cl.** ..... **D12/209**

(58) **Field of Search** ..... D12/204-213;  
301/37.101, 64.101, 65

(56) **References Cited**  
U.S. PATENT DOCUMENTS

D97,554 S \* 11/1935 Hunt ..... D12/209

D99,805 S \* 5/1936 Horn ..... D12/209  
D103,778 S \* 3/1937 Hunt ..... D12/209  
D103,779 S \* 3/1937 Hunt ..... D12/209  
D232,930 S \* 9/1974 Edwards ..... D12/209  
D356,538 S \* 3/1995 Botterman ..... D12/209  
D358,797 S \* 5/1995 Botterman ..... D12/209  
D361,052 S \* 8/1995 Clements et al. .... D12/209  
D388,760 S \* 1/1998 Sacco et al. .... D12/209  
D397,662 S \* 9/1998 LeJuerne ..... D12/209  
D408,776 S \* 4/1999 Sacco et al. .... D12/209  
D445,751 S \* 7/2001 Pfeiffer et al. .... D12/209

\* cited by examiner

*Primary Examiner*—Stacia Cadmus

(74) *Attorney, Agent, or Firm*—Kilgannon & Steidl

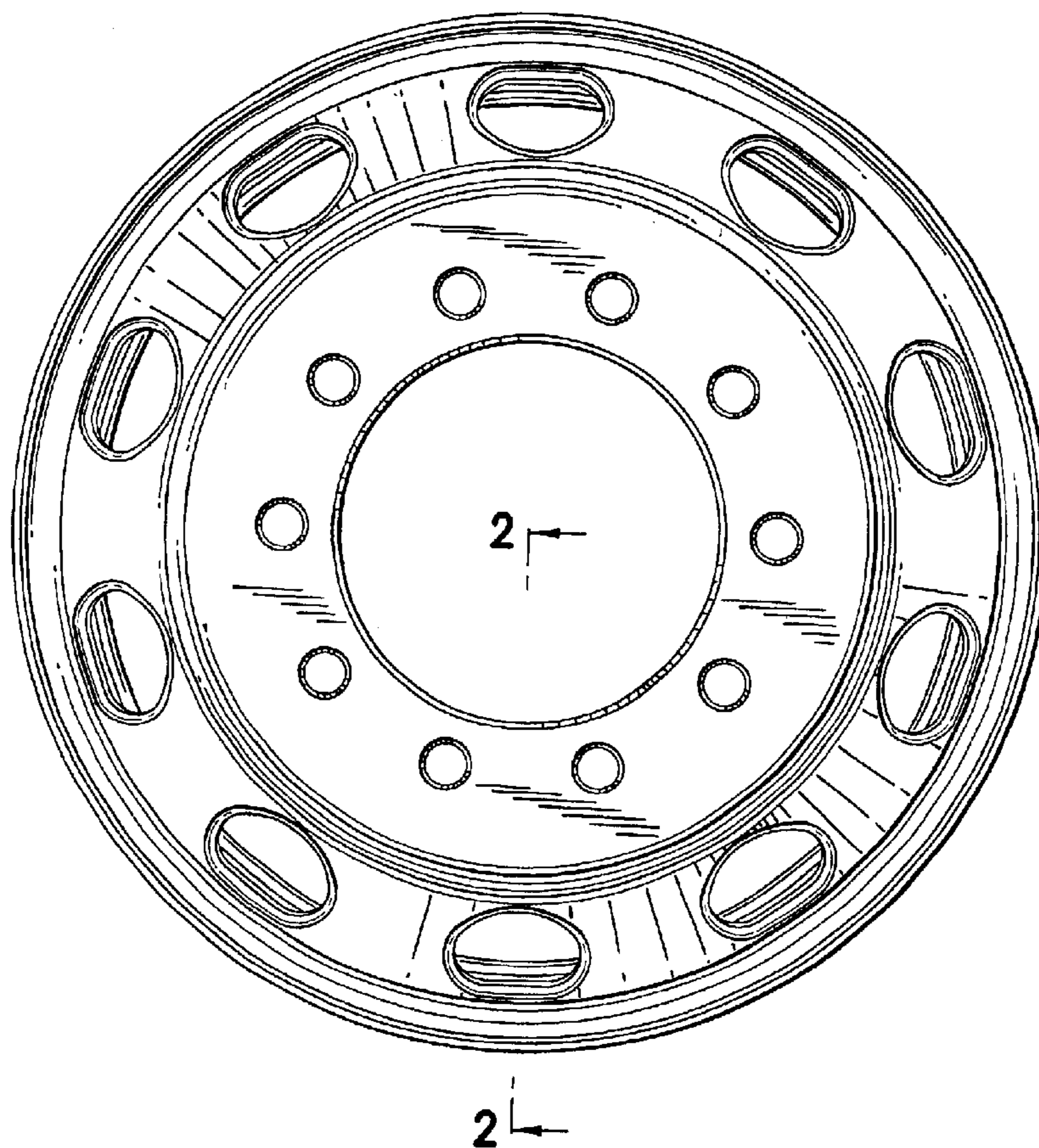
(57) **CLAIM**

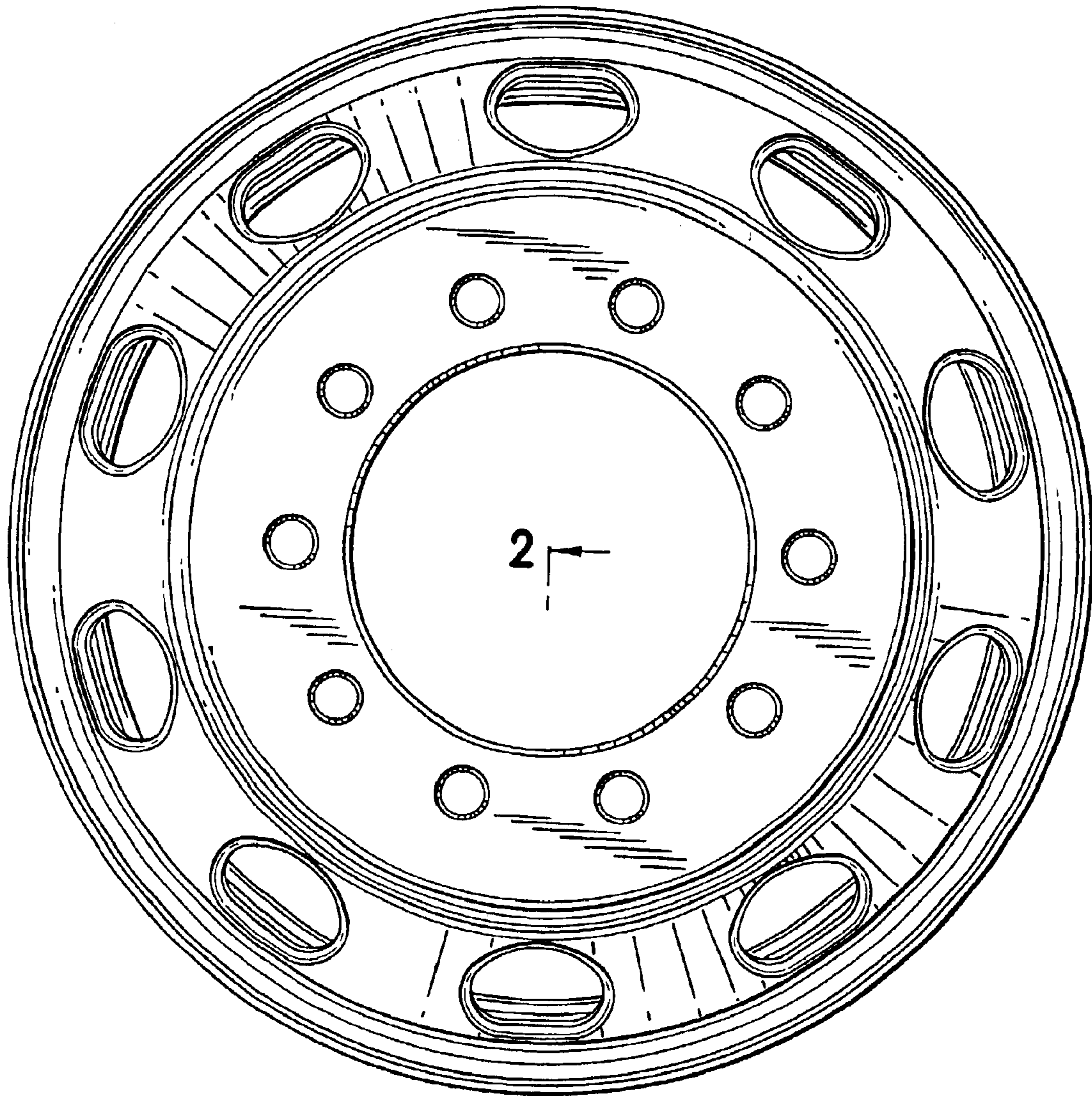
We claim the ornamental design for vehicle wheel, as shown.

**DESCRIPTION**

FIG. 1 is a front elevation of a vehicle wheel; and, FIG. 2 is a sectional view through lines 2—2 of FIG. 1.

**1 Claim, 2 Drawing Sheets**





2

FIG. 1

FIG.2

