

US00D504377S

(12) **United States Design Patent**
Caudill

(10) **Patent No.:** **US D504,377 S**

(45) **Date of Patent:** **** Apr. 26, 2005**

(54) **BANDED VEHICLE HUB**

(76) **Inventor:** **Wesley Caudill**, 7285 S. Raccoon,
Canfield, OH (US) 44406

(**) **Term:** **14 Years**

(21) **Appl. No.:** **29/207,920**

(22) **Filed:** **Jun. 22, 2004**

(51) **LOC (7) Cl.** **12-16**

(52) **U.S. Cl.** **D12/207**

(58) **Field of Search** D12/204, 207,
D12/213; 301/63.1, 64.1, 65, 108.1, 108.5,
105.1, 37.29, 110.5, 111, 35.54, 35.58,
36.1, 35.62

(56) **References Cited**

U.S. PATENT DOCUMENTS

- D292,200 S * 10/1987 Carmichael D12/207
- D333,647 S * 3/1993 Carmichael D12/207
- D359,021 S * 6/1995 Snook D12/207

- D445,077 S * 7/2001 Lovitt, Jr. D12/207
- 6,409,280 B1 * 6/2002 Mair 301/105.1
- D470,447 S * 2/2003 Orey D12/207
- 6,612,657 B1 * 9/2003 Fakhoury et al. 301/105.1

* cited by examiner

Primary Examiner—Stacia Cadmus

(74) *Attorney, Agent, or Firm*—Harpman & Harpman

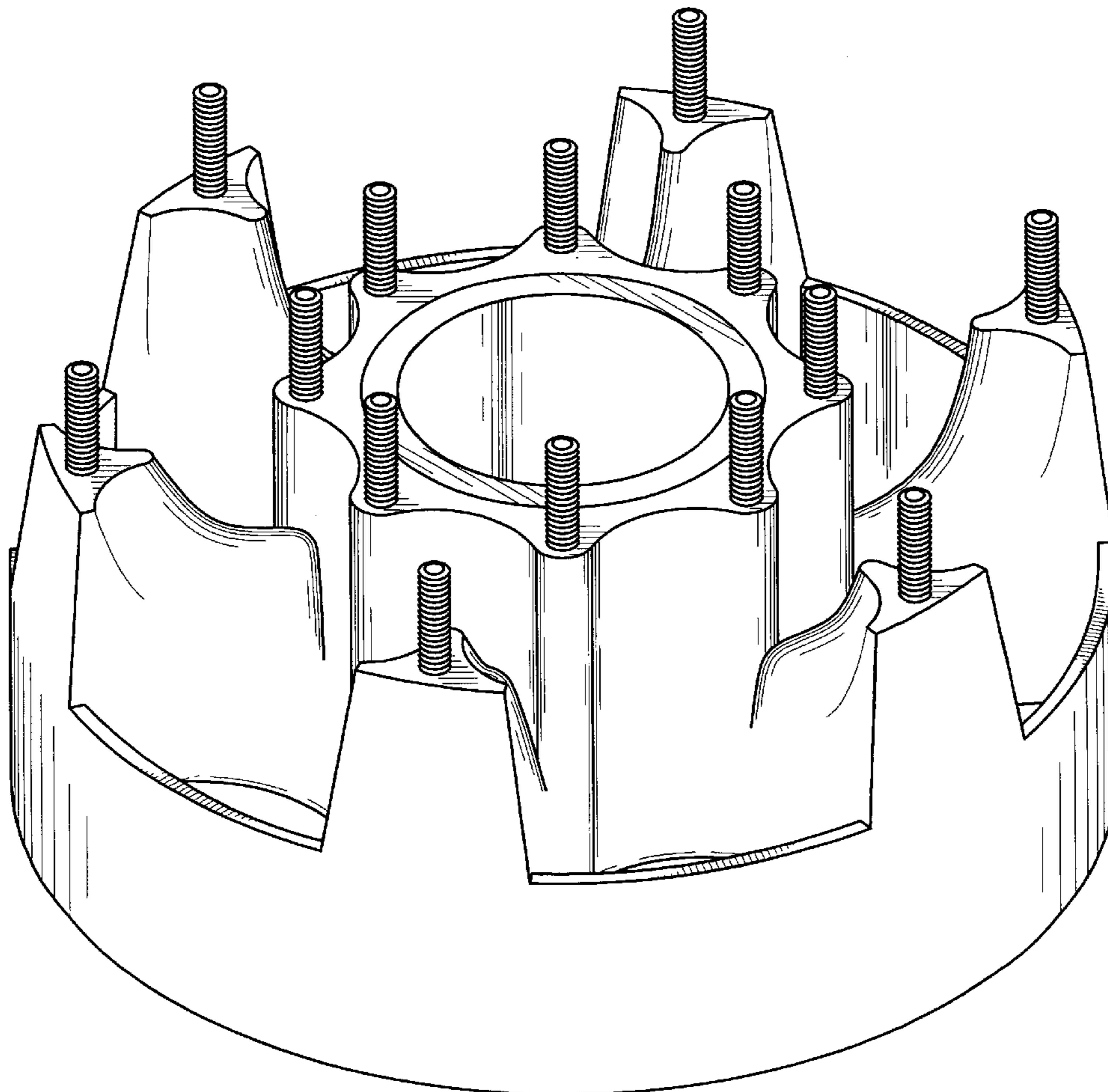
(57) **CLAIM**

The ornamental design for a banded vehicle hub, as shown and described.

DESCRIPTION

FIG. 1 is a perspective view thereof;
 FIG. 2 is a top plan view thereof;
 FIG. 3 is a bottom plan view thereof; and,
 FIG. 4 is a front elevational view thereof, the rear elevation being a mirror image thereof.
 FIGS. 2–3 are shown on a reduced scale as compared to FIG. 1.

1 Claim, 4 Drawing Sheets



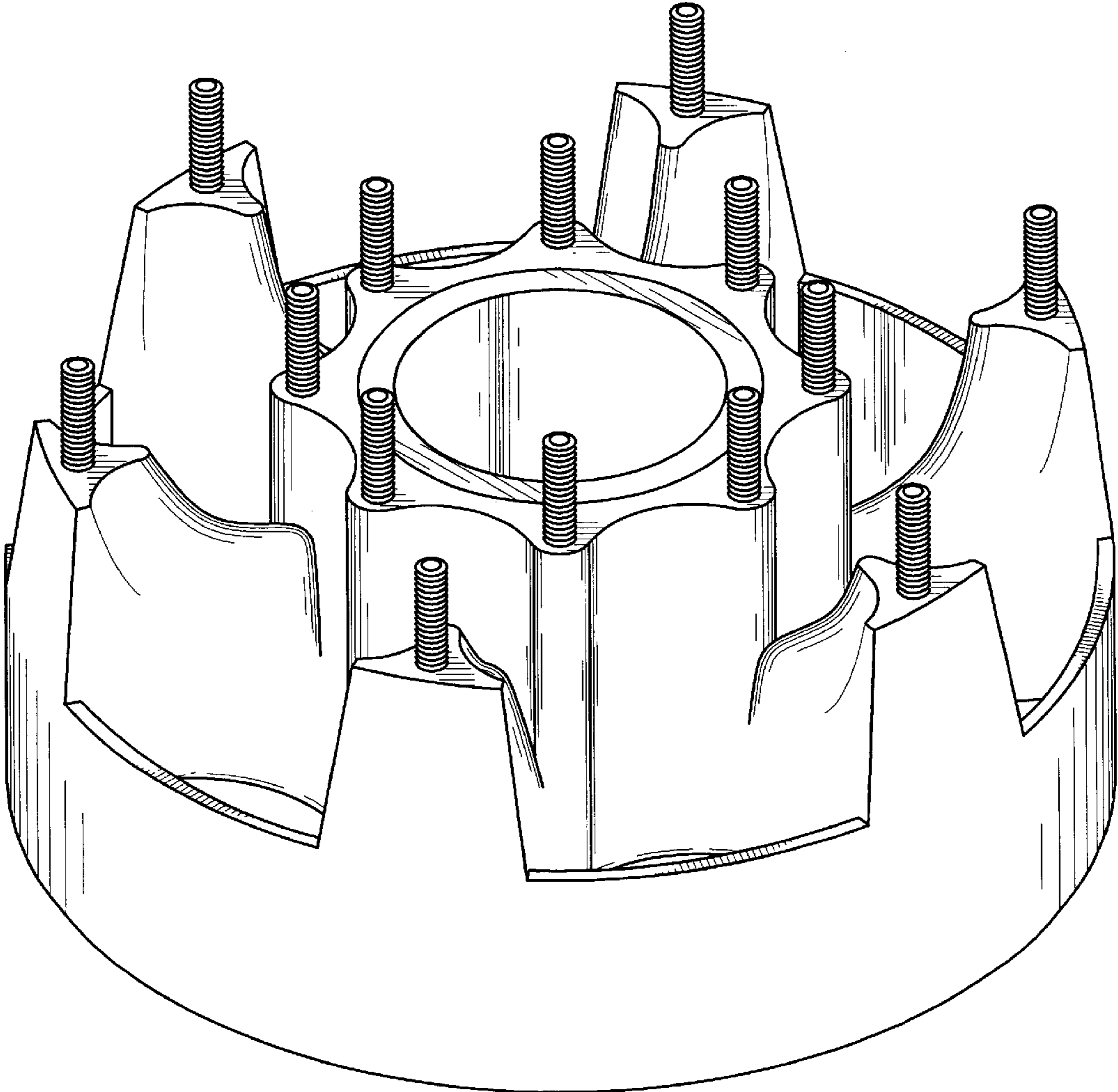


Fig. 1

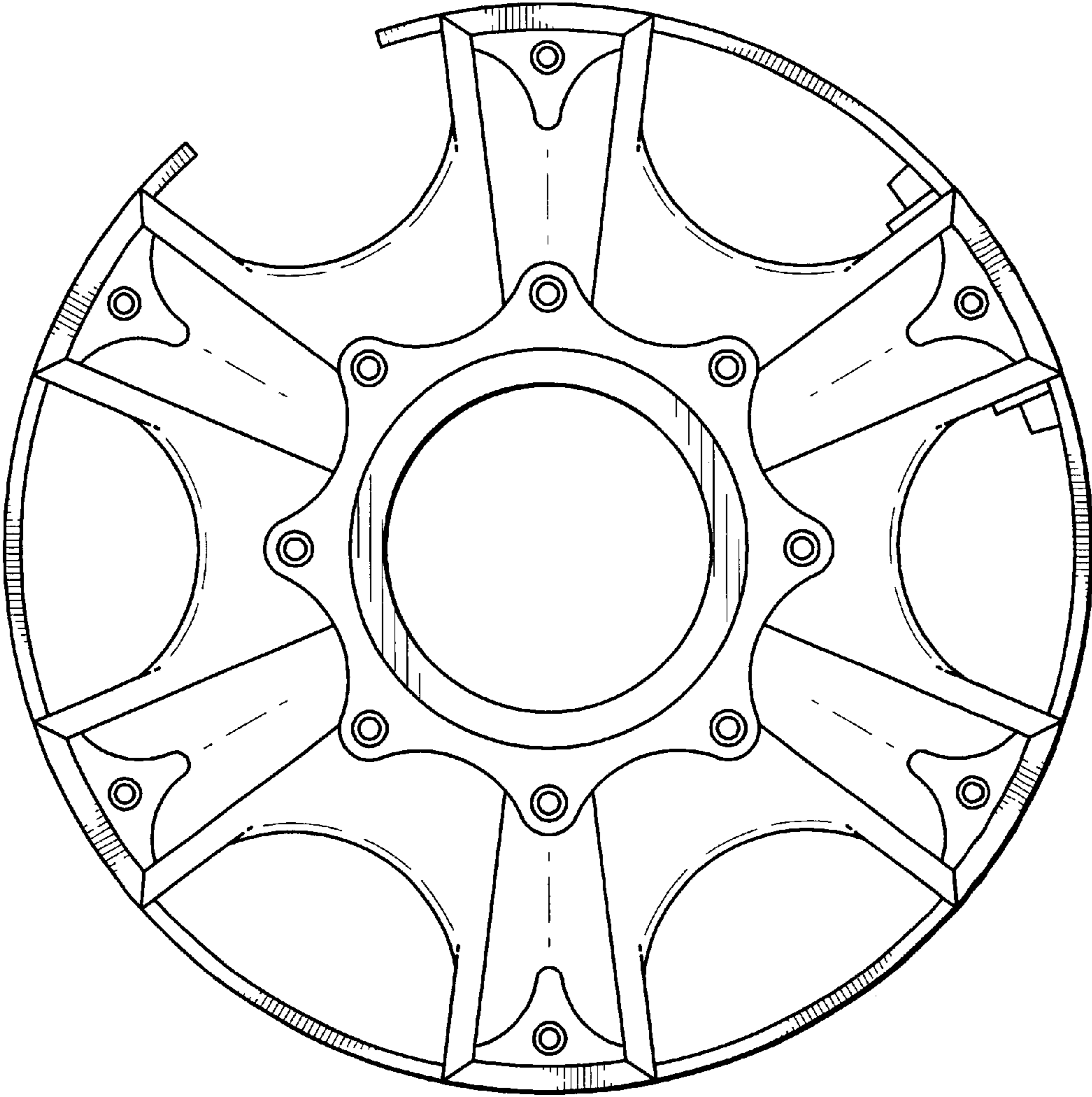


Fig. 2

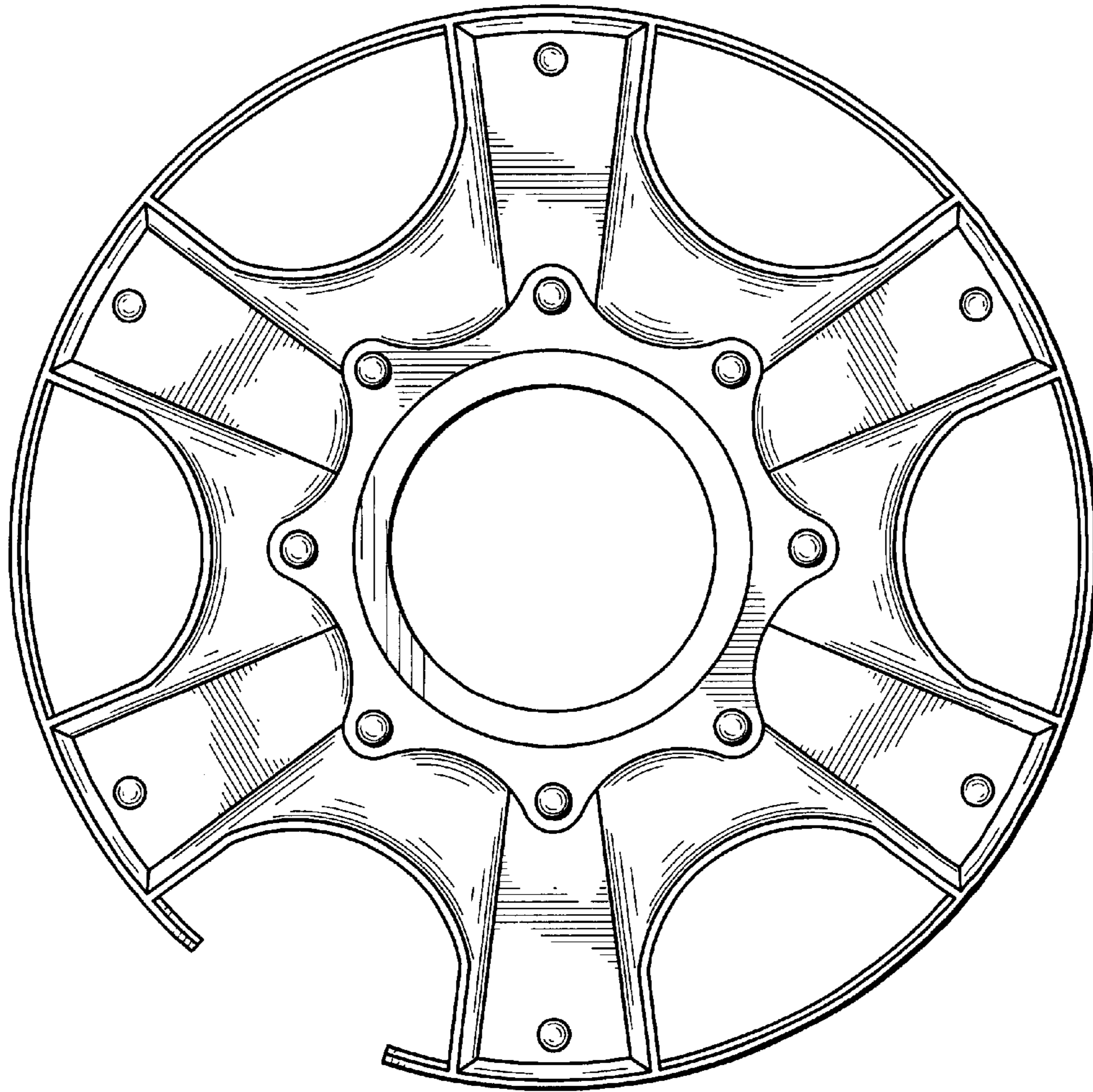


Fig. 3

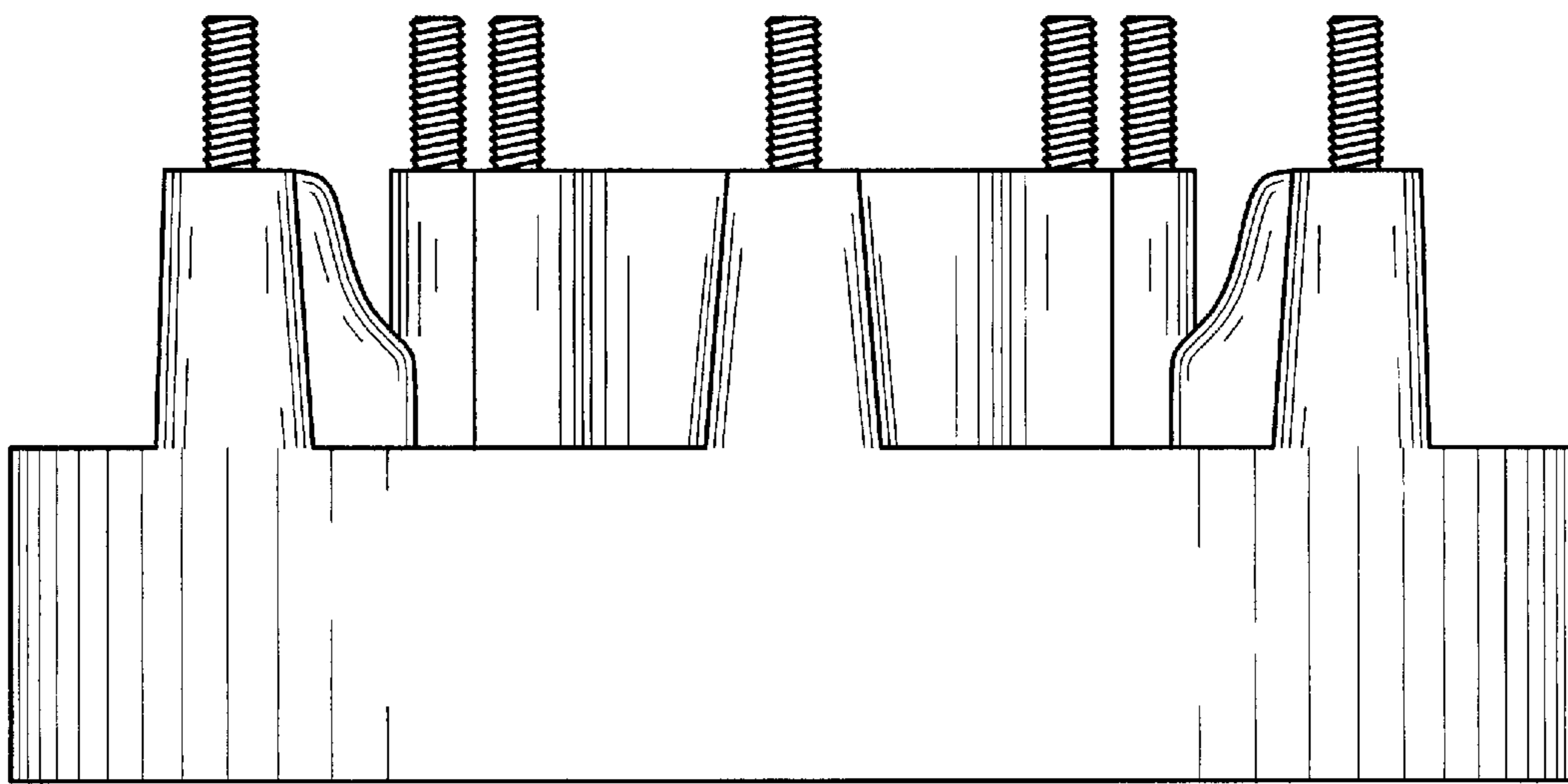


Fig. 4