

US00D504374S

(12) **United States Design Patent**
Hendrix

(10) **Patent No.:** **US D504,374 S**
(45) **Date of Patent:** **** Apr. 26, 2005**

(54) **END CAP FOR VEHICLE RUNNING BOARD**

(76) **Inventor:** **Theron V. Hendrix**, 4901 Verde Vista Dr., Prescott Valley, AZ (US) 86314

(**) **Term:** **14 Years**

(21) **Appl. No.:** **29/186,285**

(22) **Filed:** **Jul. 14, 2003**

(51) **LOC (7) Cl.** **12-16**

(52) **U.S. Cl.** **D12/203**

(58) **Field of Search** D12/106, 203,
D12/400; 182/90; 280/163, 164.1, 166,
169

(56) **References Cited**

U.S. PATENT DOCUMENTS

5,193,829 A * 3/1993 Holloway et al. 280/163

6,203,040 B1 * 3/2001 Hutchins 280/169
6,513,821 B1 * 2/2003 Heil 280/169
6,588,781 B2 * 7/2003 Pohill et al. 280/163
6,592,135 B2 * 7/2003 Hendrix 280/164.1

* cited by examiner

Primary Examiner—Robert M. Spear

(57) **CLAIM**

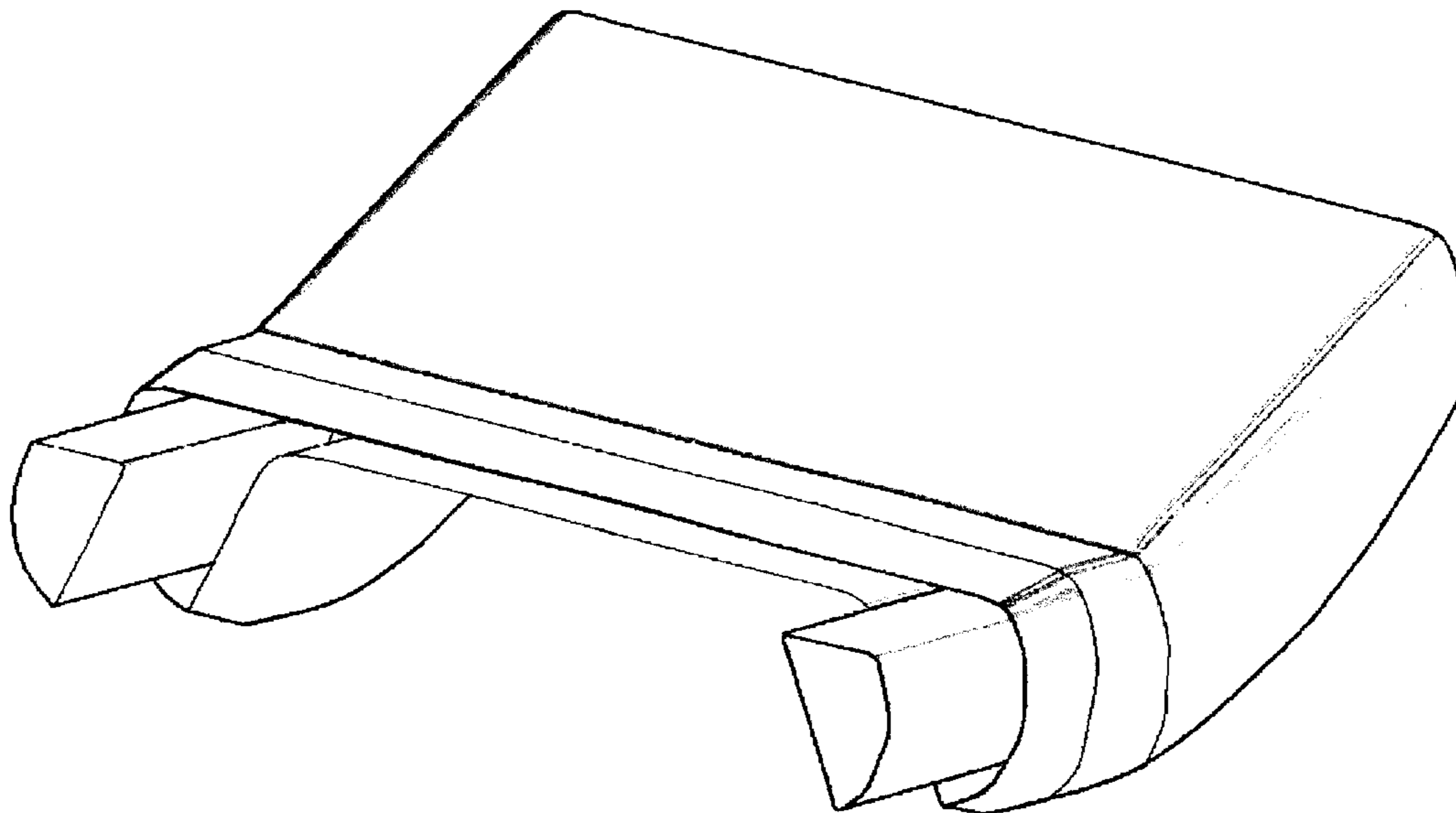
The ornamental design for an end cap for vehicle running board, as shown and described.

DESCRIPTION

FIG. 1 is a top rear perspective view of an end cap for vehicle running board, showing my new design; and, FIG. 2 is a bottom front perspective view thereof.

1 Claim, 1 Drawing Sheet

Top rear perspective view of an end cap for vehicle running board



Top rear perspective view of an end cap for vehicle running board

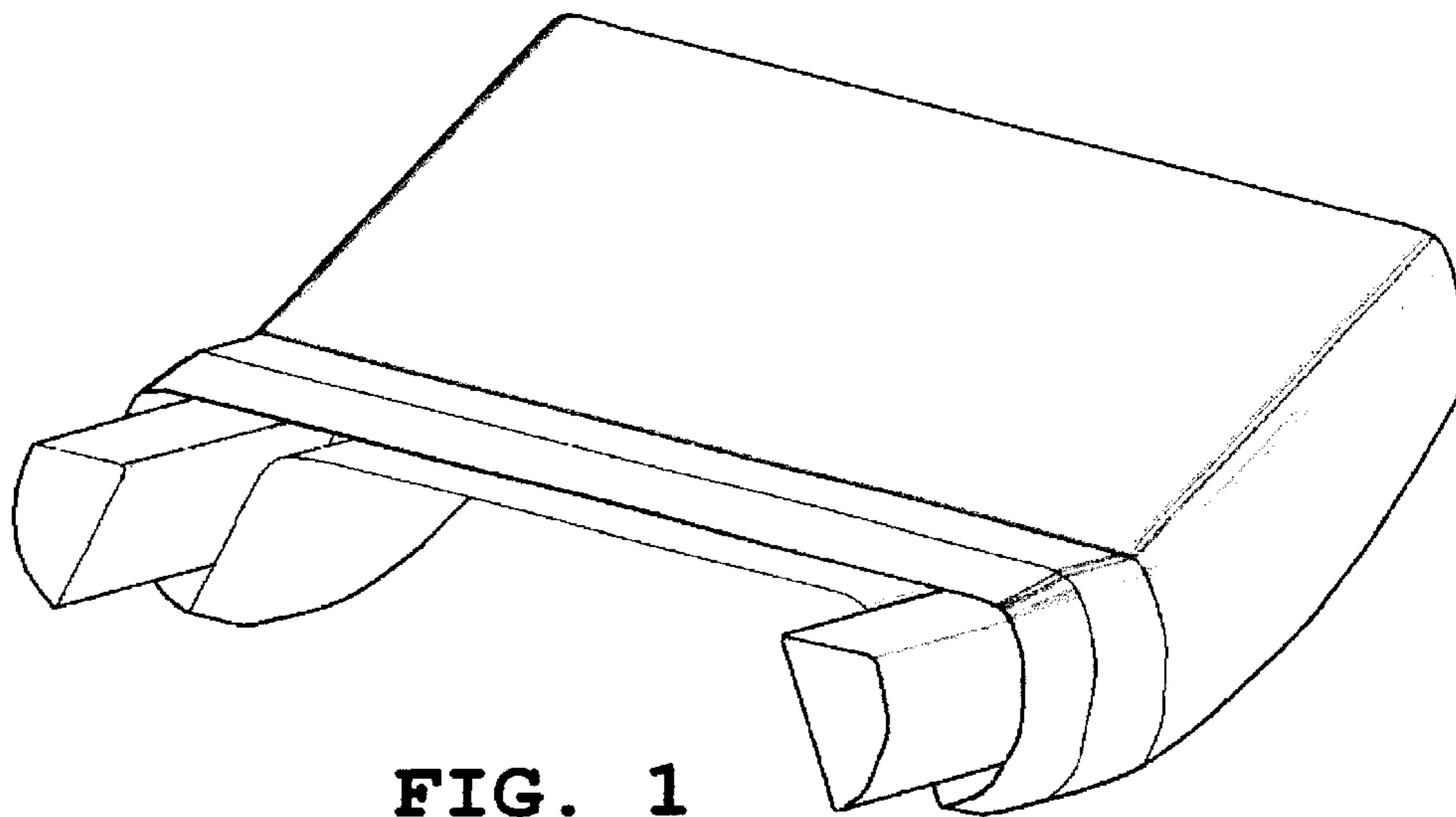
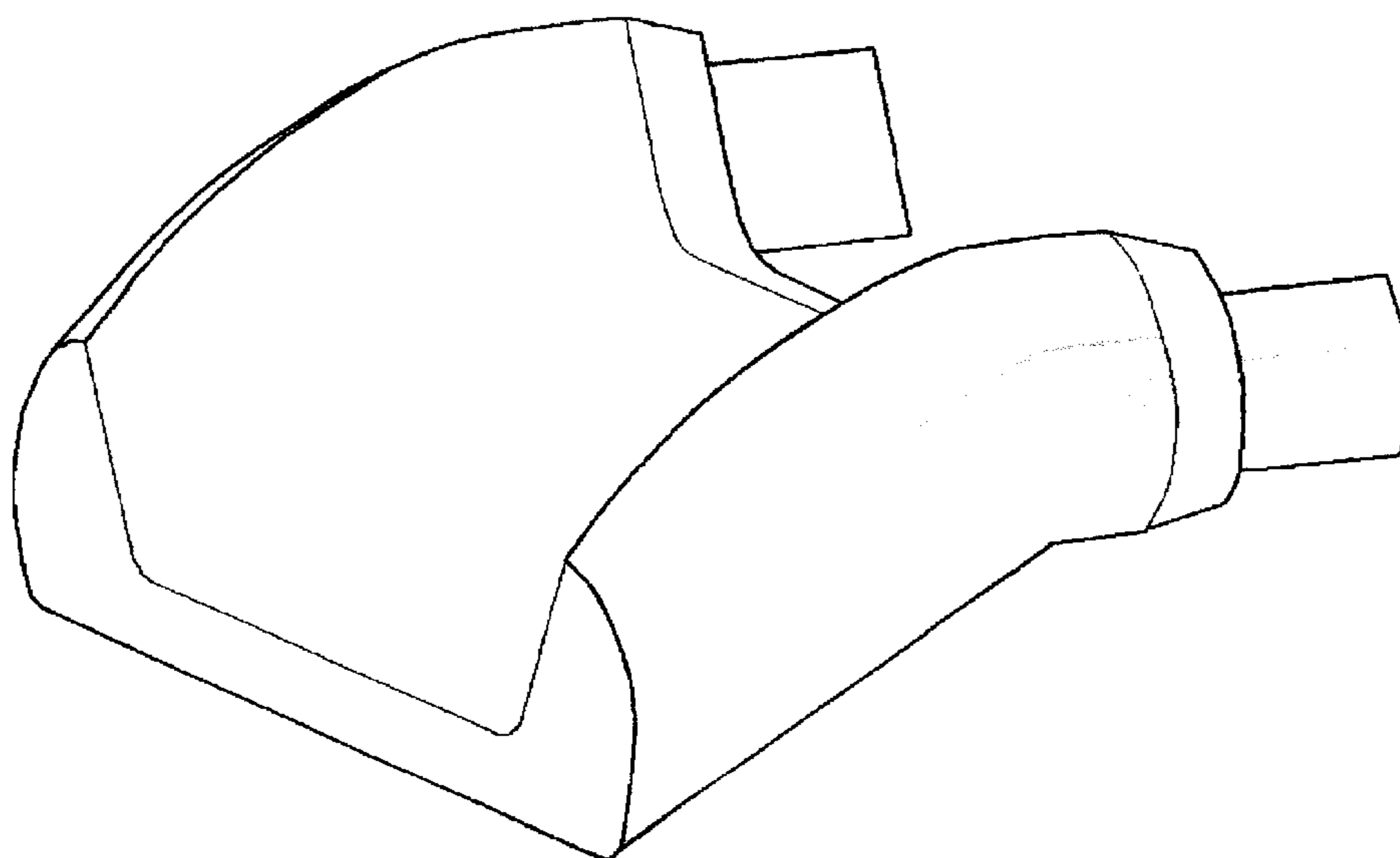


FIG. 1

FIG. 2



Bottom front perspective view thereof.