

US00D504370S

(12) **United States Design Patent**
Kraus

(10) **Patent No.: US D504,370 S**

(45) **Date of Patent: ** Apr. 26, 2005**

(54) **INSTRUMENT CLUSTER**

(75) Inventor: **Ulrich Kraus**, Villingen-Schwenningen
(DE)

(73) Assignee: **Siemens Aktiengesellschaft**, München

(**) Term: **14 Years**

(21) Appl. No.: **29/211,151**

(22) Filed: **Aug. 12, 2004**

(30) **Foreign Application Priority Data**

Mar. 18, 2004 (DE) 40401861

(51) **LOC (7) Cl.** **12-16**

(52) **U.S. Cl.** **D12/192**

(58) **Field of Search** D12/192; 180/90;
280/750-752; 296/190-191, 70; D10/46,
102, 98, 122-127

(56) **References Cited**

U.S. PATENT DOCUMENTS

- D54,139 S * 11/1919 Smith D12/192
- D77,236 S * 12/1928 Jacobi D12/192
- D244,183 S * 5/1977 Gordon D12/192
- D410,608 S * 6/1999 Kraus D12/192

- D470,090 S * 2/2003 Sawabe D12/192
- D489,302 S * 5/2004 Tuzar D12/192
- D490,759 S * 6/2004 Iohara D12/192
- D492,630 S * 7/2004 Kraus et al. D12/192
- D493,397 S * 7/2004 Tuzar et al. D12/192
- D494,518 S * 8/2004 Kraus et al. D12/192
- D494,905 S * 8/2004 Kraus et al. D12/192

* cited by examiner

Primary Examiner—Stacia Cadmus

(74) *Attorney, Agent, or Firm*—Jacob Eisenberg; Siemens AG

(57) **CLAIM**

The ornamental design for an instrument cluster, as shown and described.

DESCRIPTION

FIG. 1 is a front view of the instrument cluster;
FIG. 2 is a back view thereof;
FIG. 3 is a top view thereof;
FIG. 4 is a bottom view thereof;
FIG. 5 is a right side view thereof;
FIG. 6 is a left side view thereof; and,
FIG. 7 is a perspective view thereof.

1 Claim, 7 Drawing Sheets

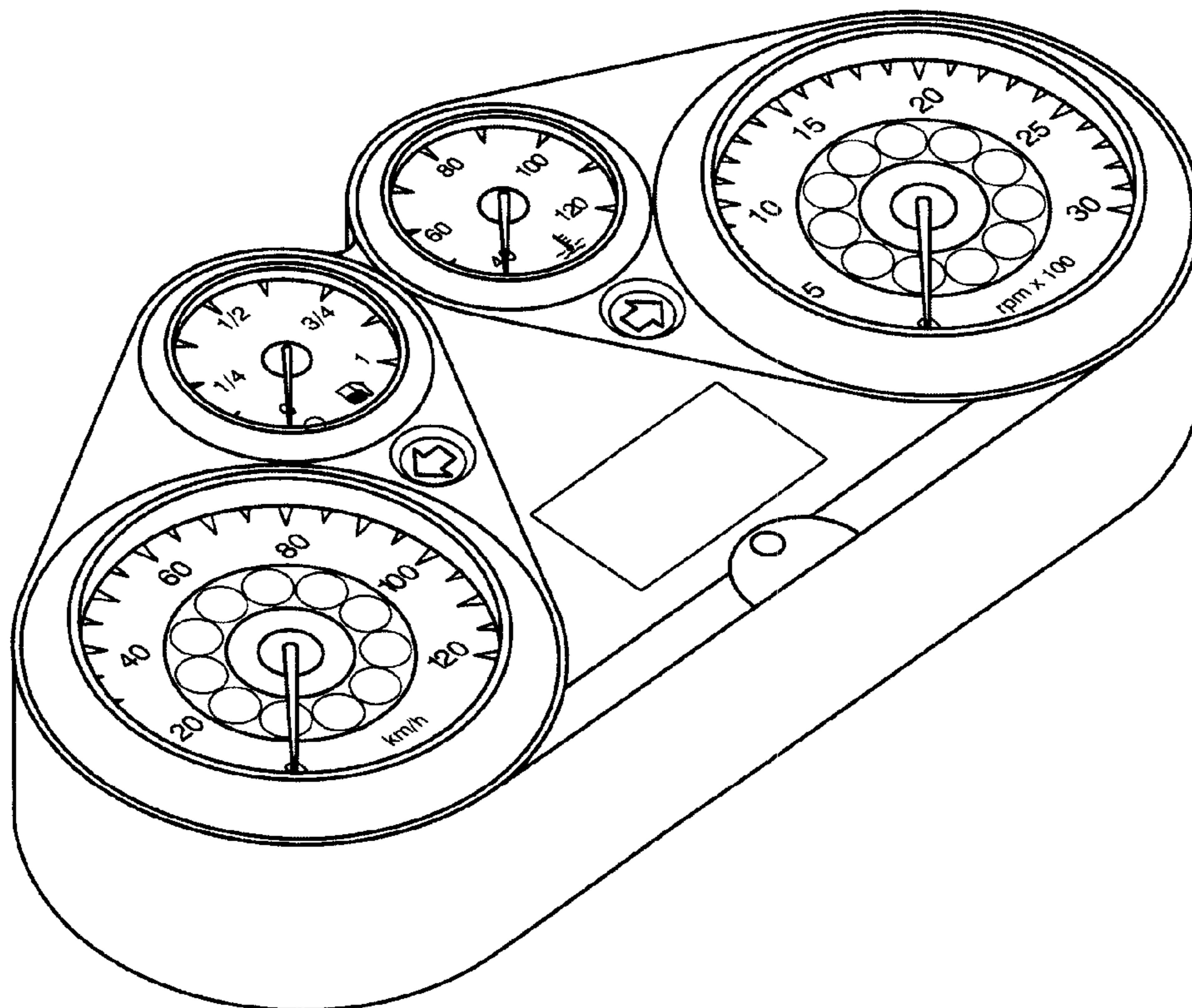


FIGURE 1

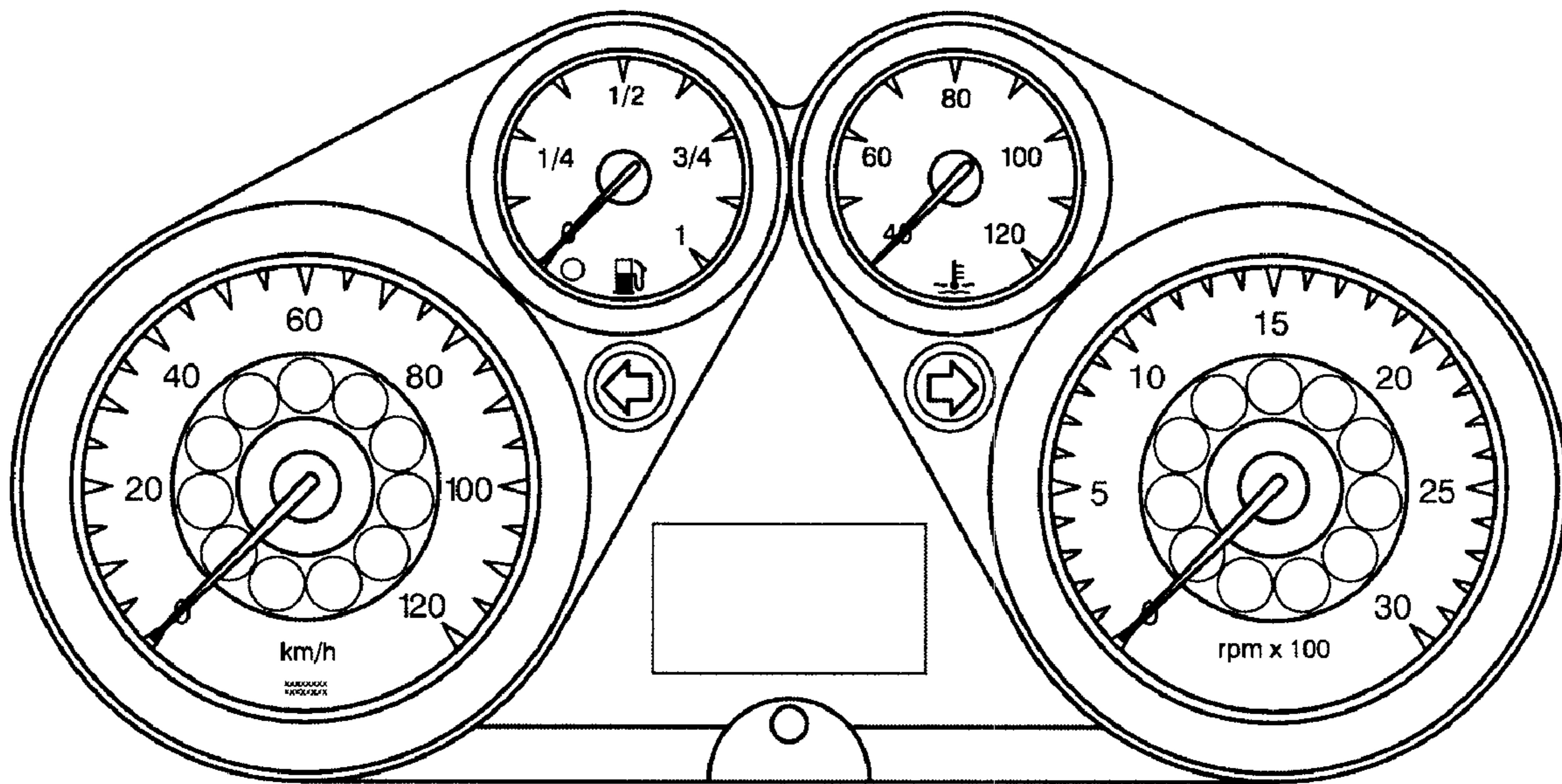


FIGURE 2

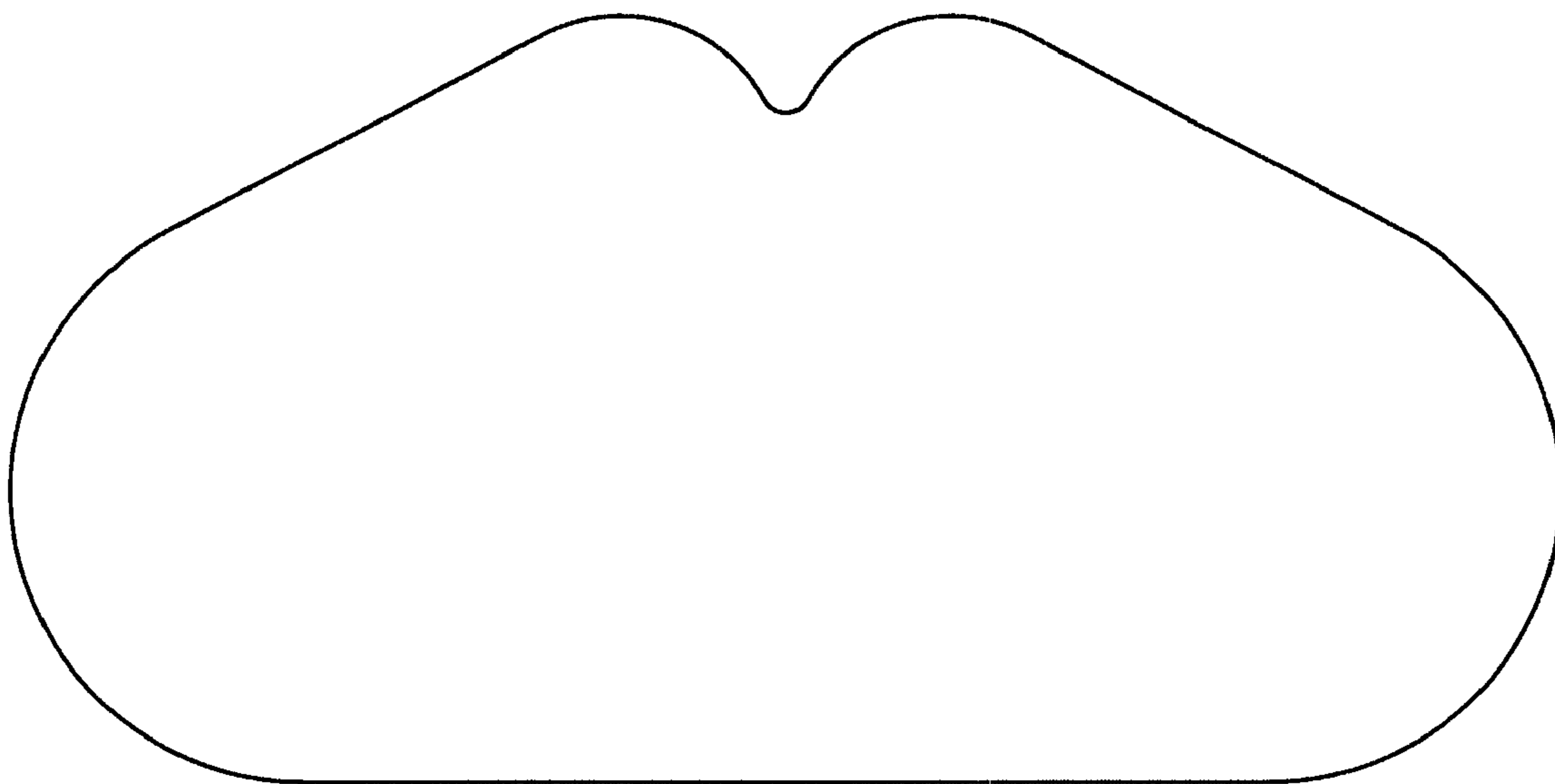


FIGURE 3

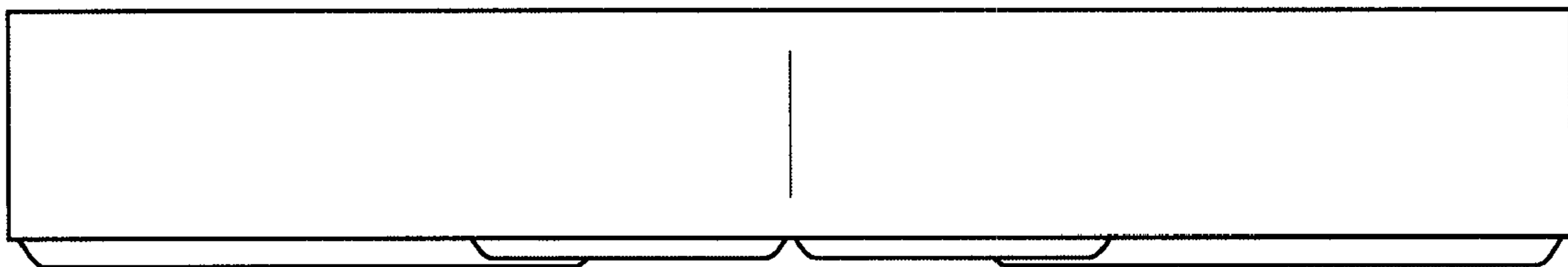


FIGURE 4

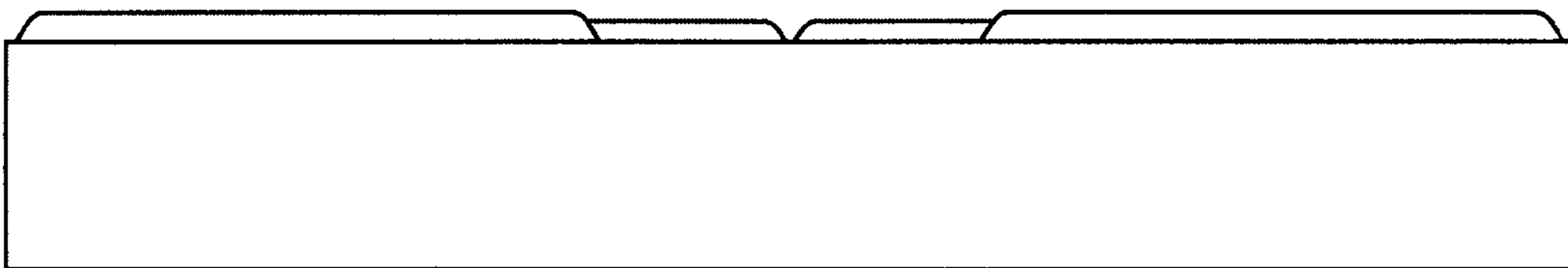


FIGURE 5

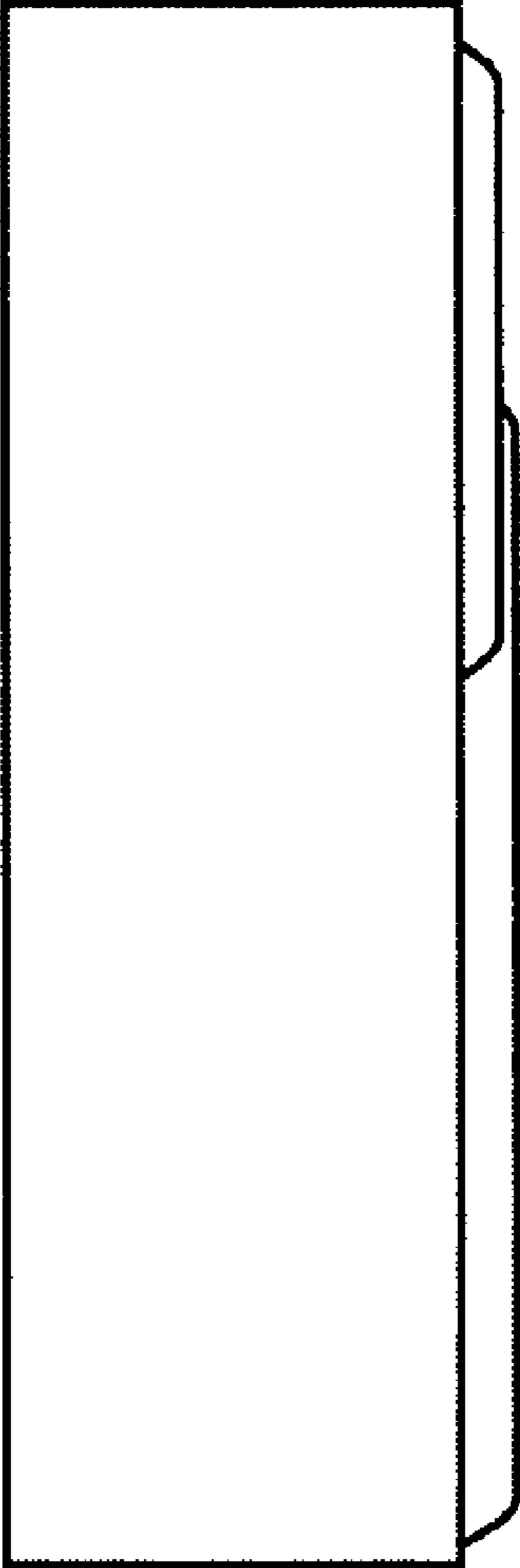


FIGURE 6

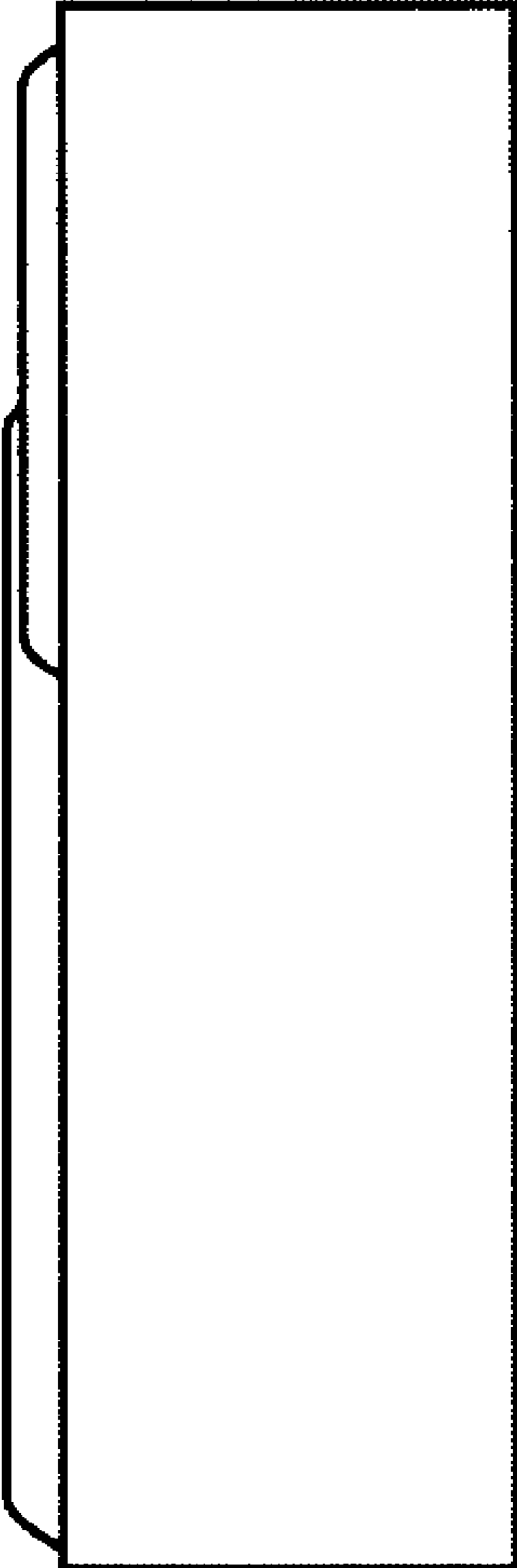


FIGURE 7

