

US00D504368S

(12) **United States Design Patent**  
**Hayashi**

(10) **Patent No.: US D504,368 S**

(45) **Date of Patent: \*\* Apr. 26, 2005**

(54) **METER FOR AUTOMOBILES**

(75) **Inventor: Akio Hayashi, Wako (JP)**

(73) **Assignee: Honda Giken Kogyo Kabushiki Kaisha, Tokyo (JP)**

(\*\*) **Term: 14 Years**

(21) **Appl. No.: 29/176,586**

(22) **Filed: Feb. 26, 2003**

(30) **Foreign Application Priority Data**

Aug. 29, 2002 (JP) ..... 2002-023275

(51) **LOC (7) Cl. .... 12-16**

(52) **U.S. Cl. .... D12/192**

(58) **Field of Search** ..... D12/192; 180/90;  
280/750-752; 296/190-191, 70; D10/46,  
102, 98, 122-127

(56) **References Cited**

**U.S. PATENT DOCUMENTS**

D276,715 S	*	12/1984	Morioka et al. ....	D12/192
D277,176 S	*	1/1985	Komuro ..... ..	D12/192
D413,294 S	*	8/1999	Lagaay ..... ..	D12/192
D440,925 S	*	4/2001	Pfeiffer ..... ..	D12/192
D466,062 S	*	11/2002	Tsay et al. .... ..	D12/192

D470,090 S	*	2/2003	Sawabe ..... ..	D12/192
D489,302 S	*	5/2004	Tuzar ..... ..	D12/192
D489,661 S	*	5/2004	McPeck et al. ....	D12/192
D490,759 S	*	6/2004	Iohara ..... ..	D12/192
D492,630 S	*	7/2004	Kraus et al. ....	D12/192

\* cited by examiner

*Primary Examiner*—Stacia Cadmus

(74) *Attorney, Agent, or Firm*—Arent Fox, PLLC

(57) **CLAIM**

The ornamental design for a meter for automobiles, as shown and described.

**DESCRIPTION**

FIG. 1 is a front view of a meter showing my new design.

FIG. 2 is a rear view thereof.

FIG. 3 is a top plan view thereof.

FIG. 4 is a bottom view thereof.

FIG. 5 is a right side view thereof.

FIG. 6 is a left side view thereof.

FIG. 7 is a sectional view without internal mechanisms in a sectioned area taken along a line 7—7 in FIG. 1; and,

FIG. 8 is a sectional view without internal mechanisms in a sectioned area taken along a line 8—8 in FIG. 1.

The broken line showing of environment is for illustrative purposes only and forms no part of the claimed design.

**1 Claim, 4 Drawing Sheets**

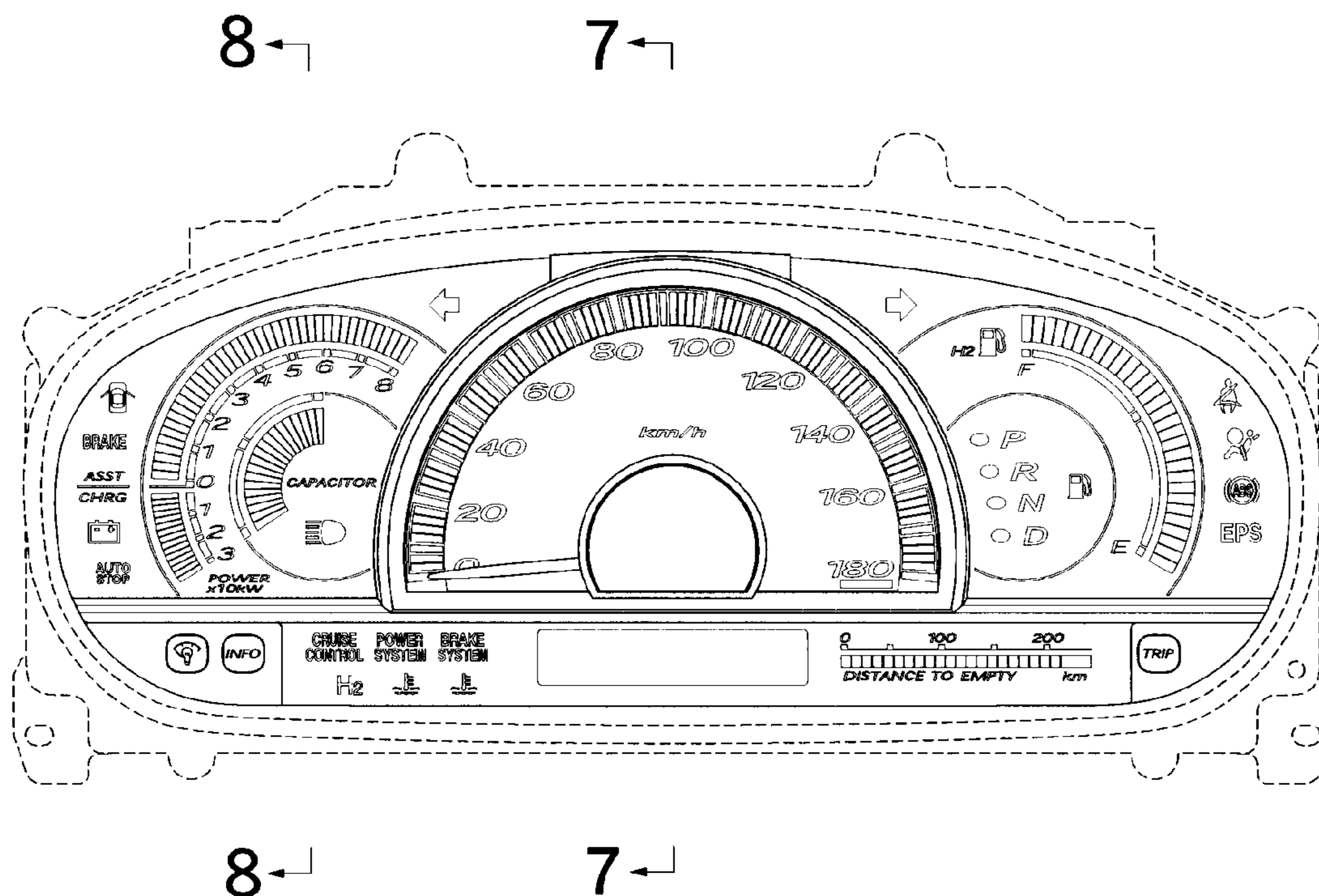


FIG.1

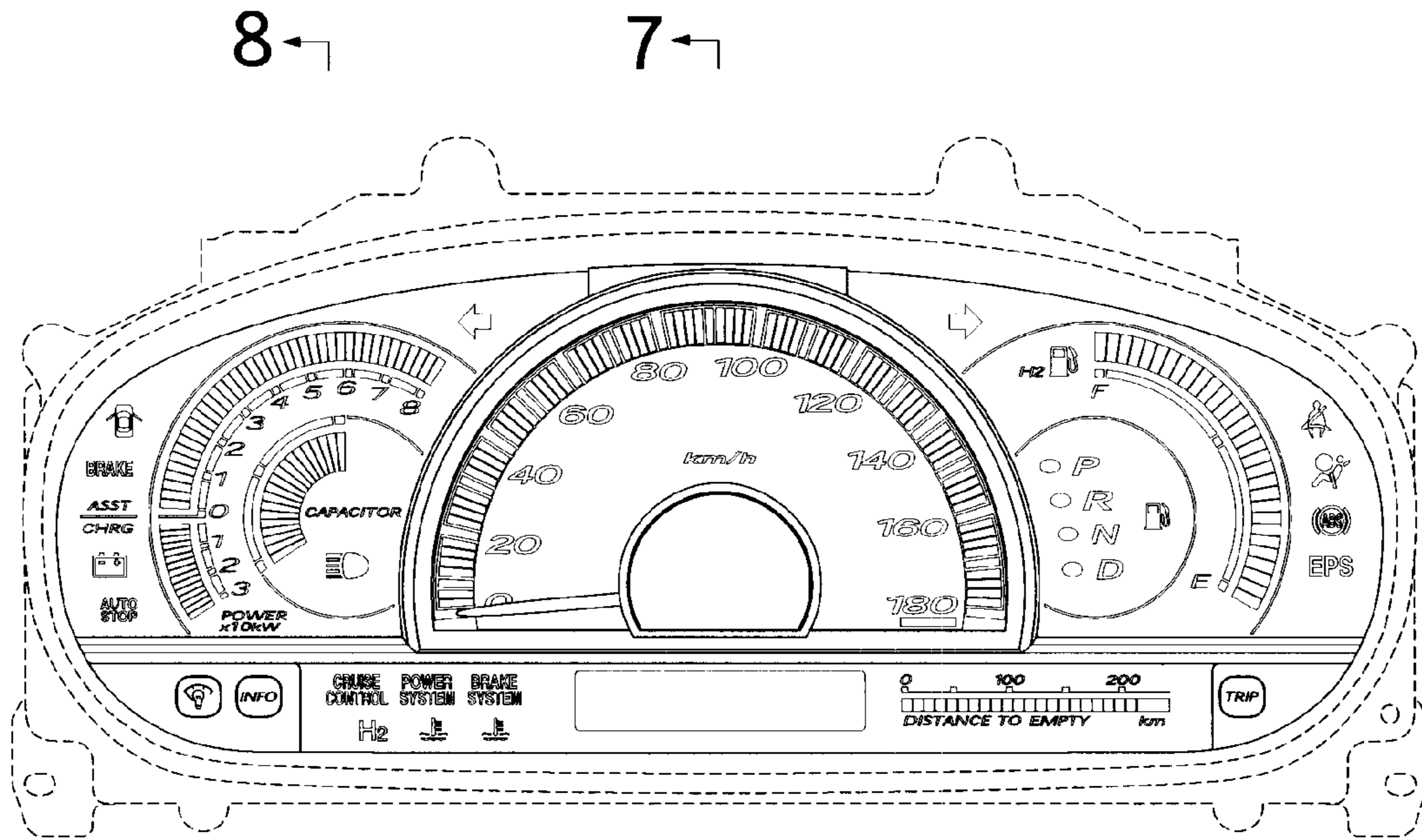


FIG.2

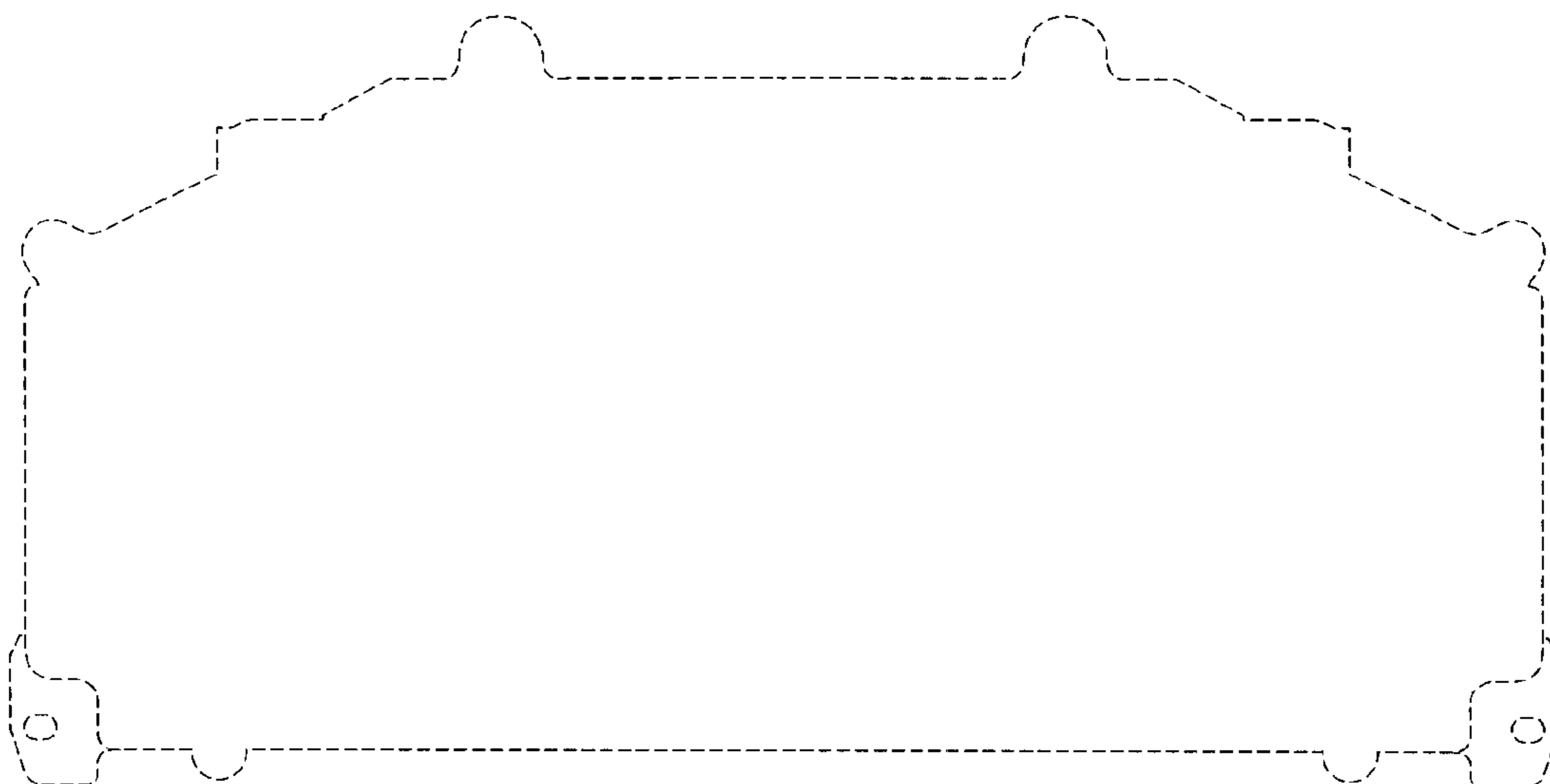


FIG.3

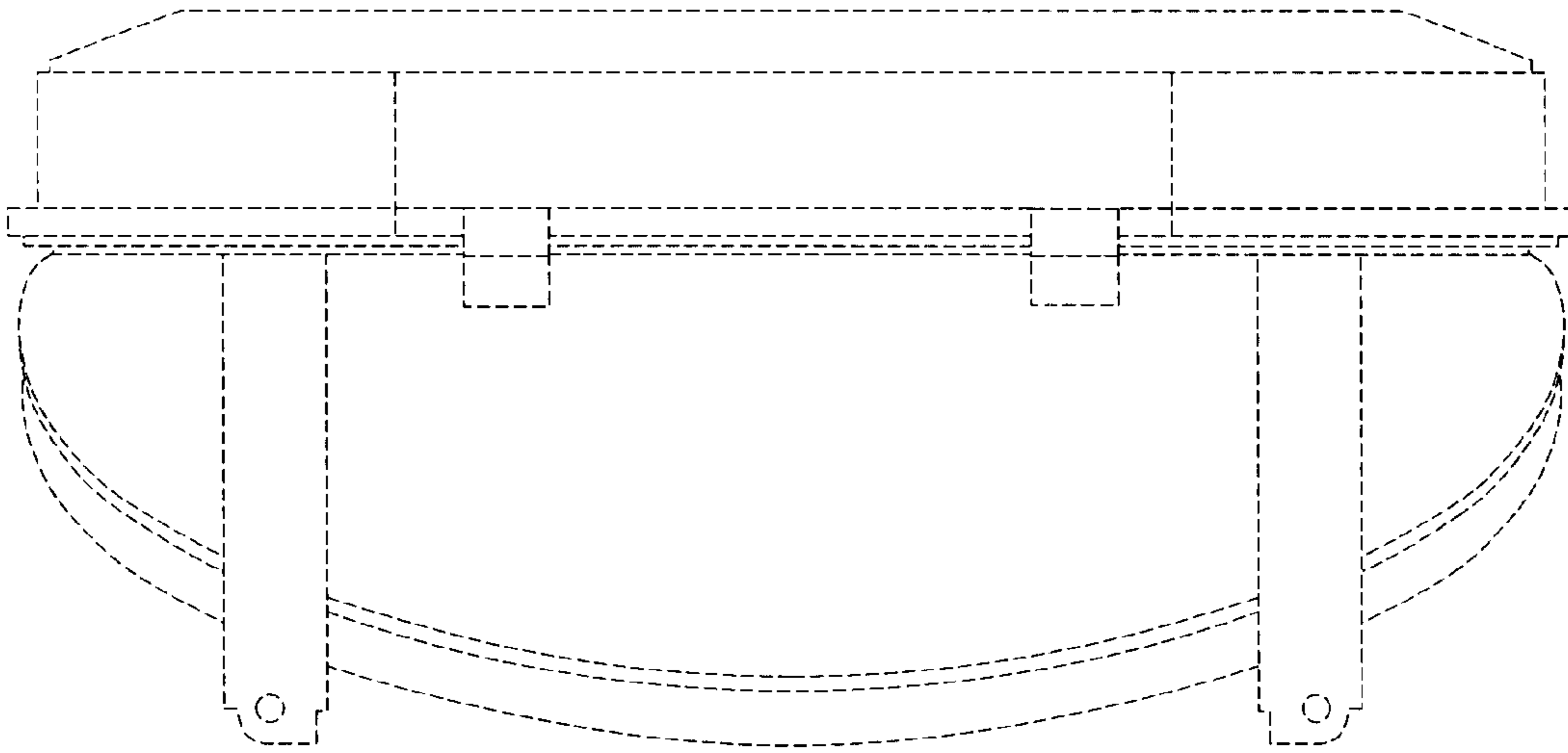


FIG.4

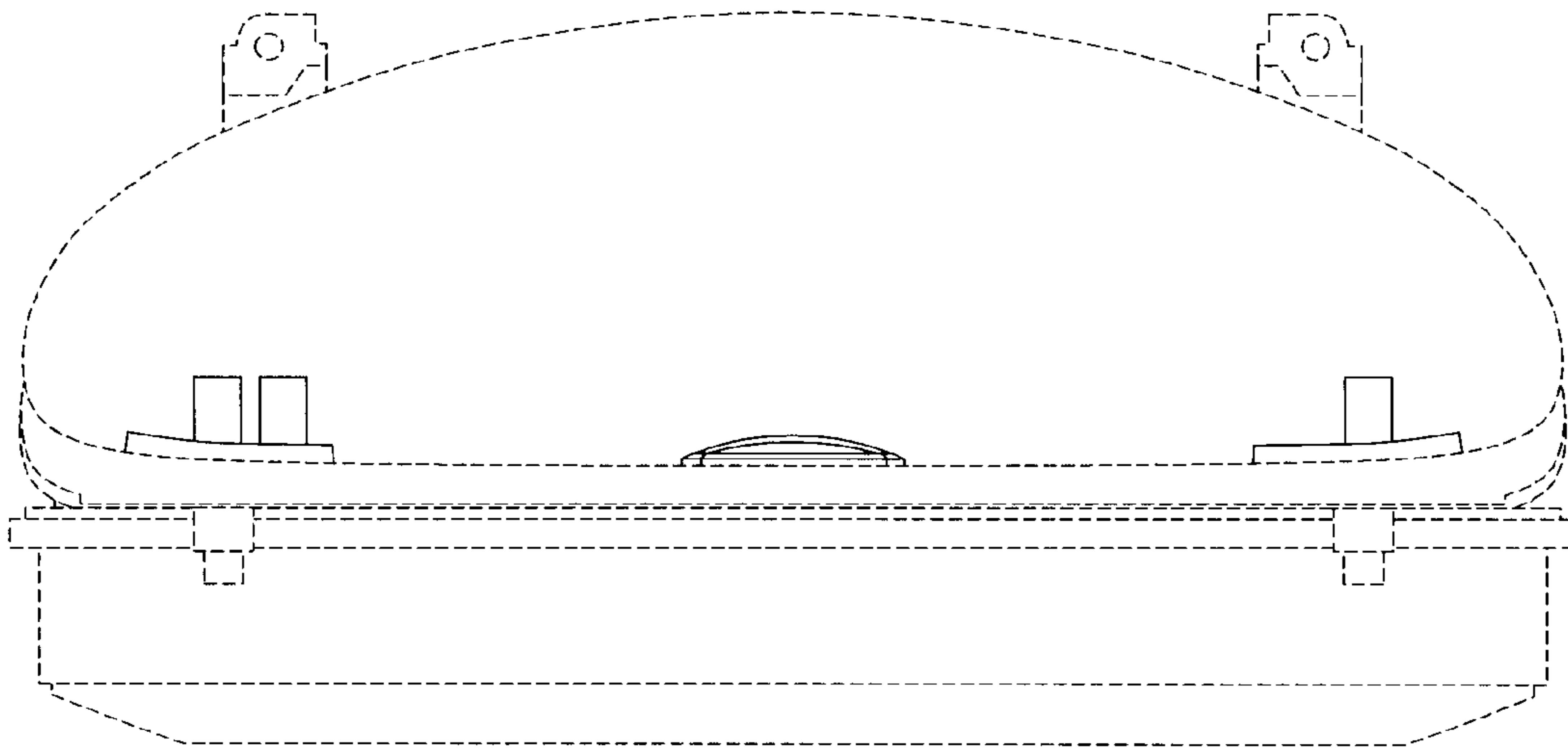


FIG.5

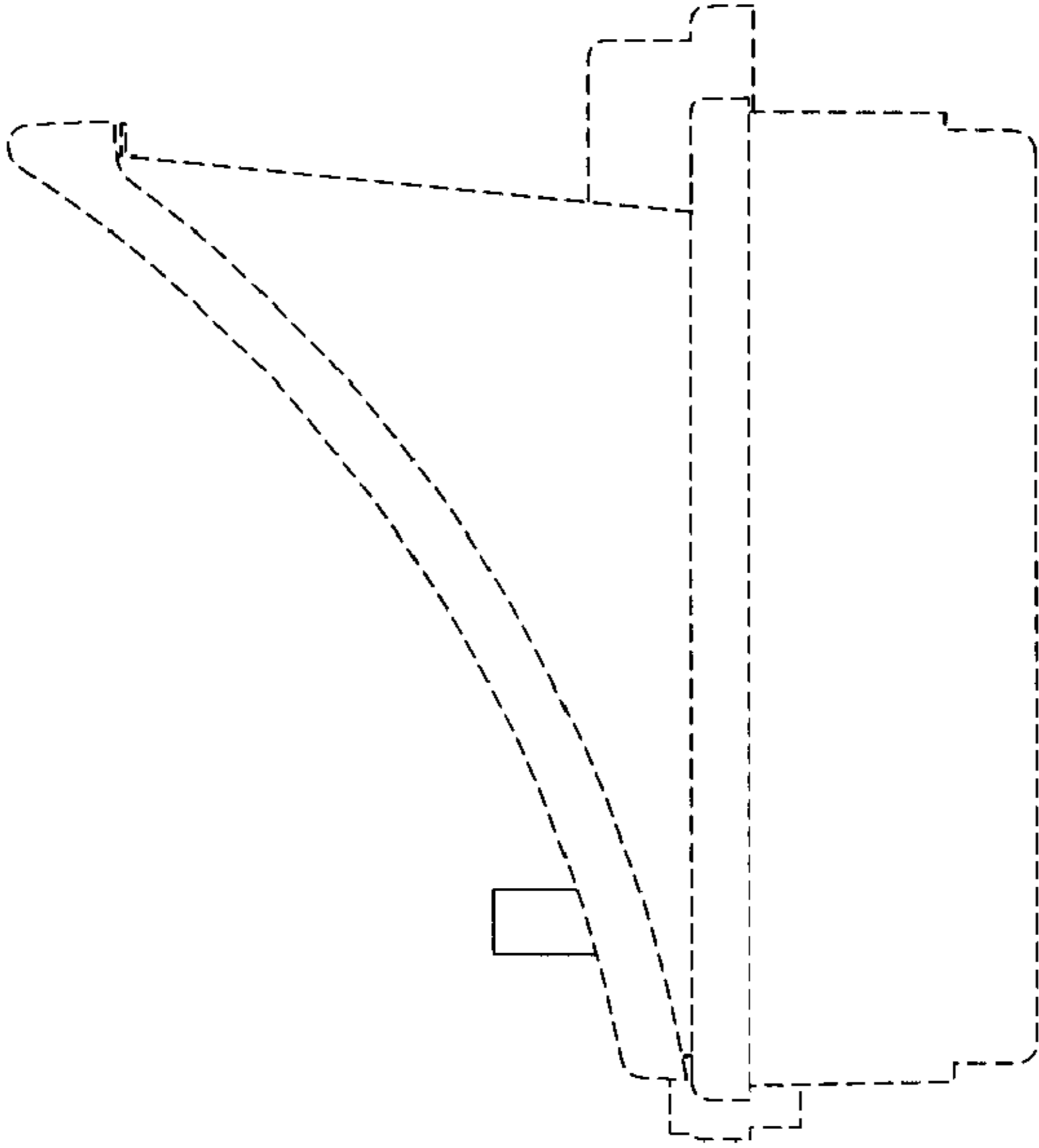


FIG.6

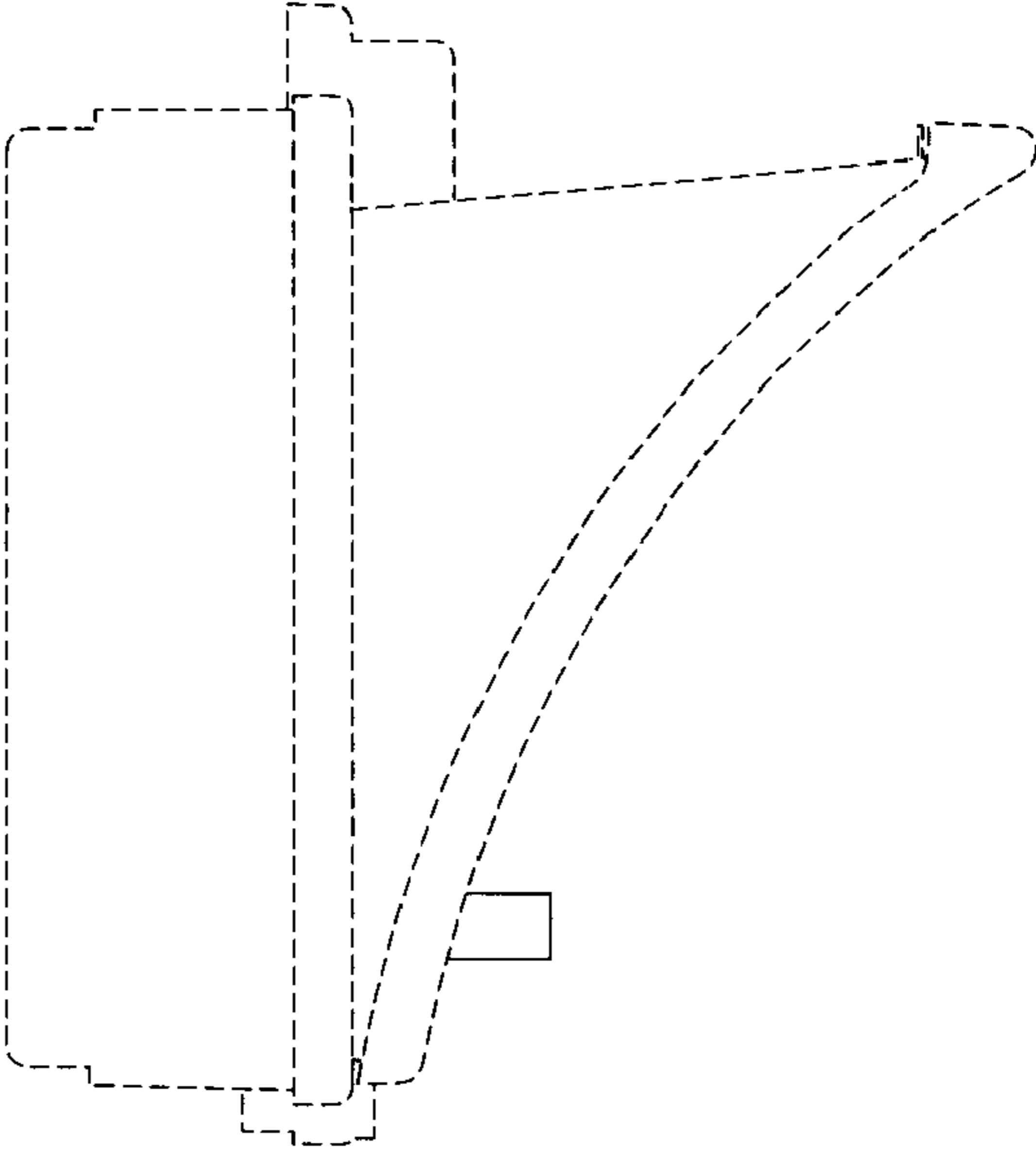


FIG.7

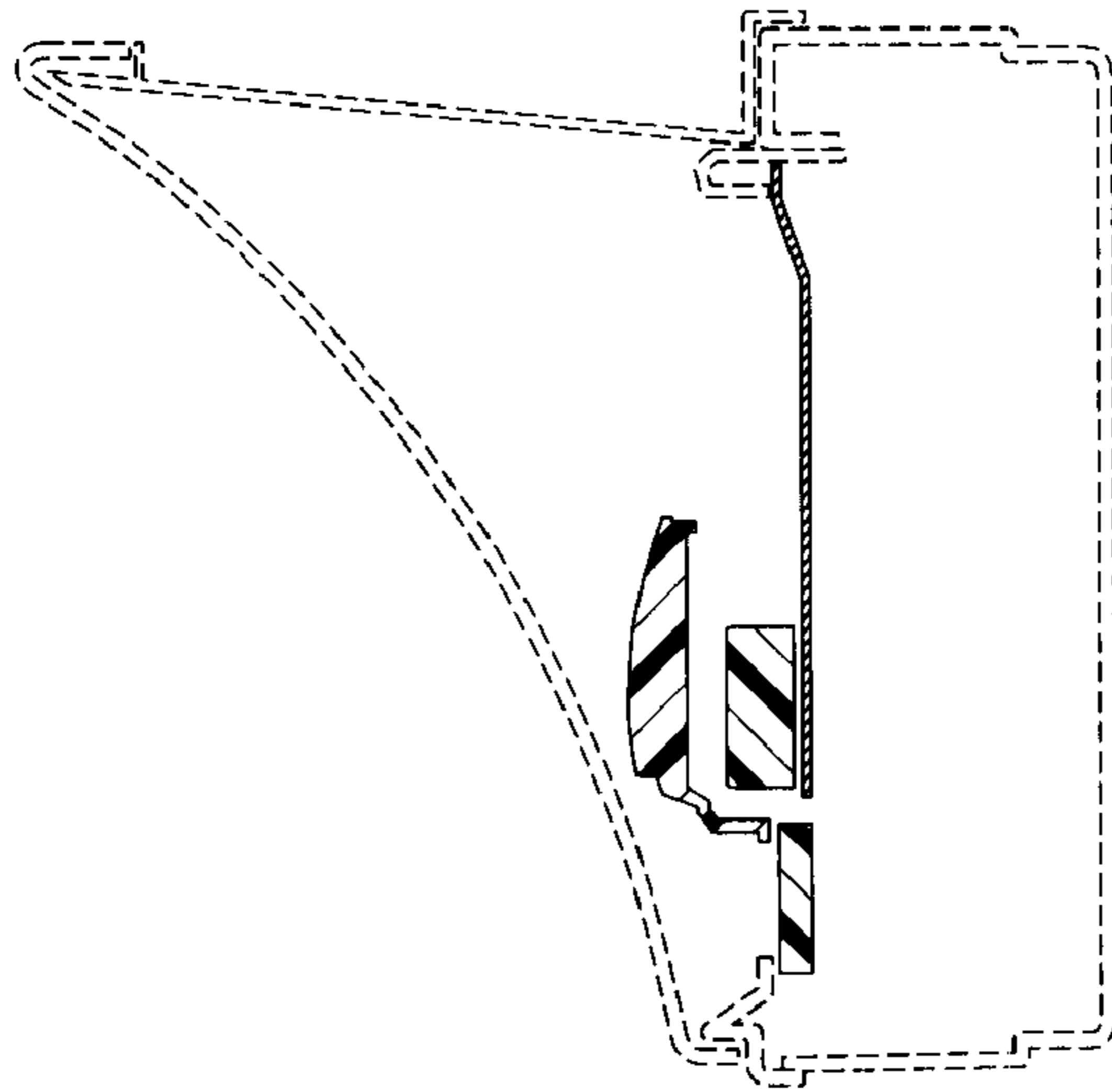


FIG.8

