

US00D504366S

(12) **United States Design Patent**
Ishibashi et al.

(10) **Patent No.: US D504,366 S**
(45) **Date of Patent: ** Apr. 26, 2005**

(54) **FRONT BUMPER FOR AN AUTOMOBILE**

D483,706 S * 12/2003 Kato D12/169
D484,443 S * 12/2003 Hattori D12/169
D486,432 S * 2/2004 Chan D12/169

(75) Inventors: **Hiroshi Ishibashi**, Saitama (JP);
Yoshiyasu Takehara, Saitama (JP)

FOREIGN PATENT DOCUMENTS

(73) Assignee: **Honda Giken Kogyo Kabushiki**
Kaisha, Tokyo (JP)

JP 1112305 6/2001
JP 1170265 4/2003
JP 1193034 12/2003

(**) Term: **14 Years**

* cited by examiner

(21) Appl. No.: **29/188,134**

Primary Examiner—Melody N. Brown

(22) Filed: **Aug. 14, 2003**

(74) *Attorney, Agent, or Firm*—Westerman, Hattori,
Daniels & Adrian, LLP

(30) **Foreign Application Priority Data**

(57) **CLAIM**

Feb. 20, 2003 (JP) 2003-004147

The ornamental design for a, front bumper for an automo-
bile, as shown and described.

(51) **LOC (7) Cl.** **12-16**

DESCRIPTION

(52) **U.S. Cl.** **D12/169**

(58) **Field of Search** D12/169, 196,
D12/90-92; 293/102, 113, 115, 117, 120;
296/180.1, 180.2

FIG. 1 is a front elevation view of a front bumper for an
automobile, showing our new design;
FIG. 2 is a rear elevation view thereof;
FIG. 3 is a top plan view thereof;
FIG. 4 is a bottom plan view thereof;
FIG. 5 is a right side elevation view thereof;
FIG. 6 is a left side elevation view thereof;
FIG. 7 is a perspective view thereof; and,
FIG. 8 is a second perspective view thereof.

(56) **References Cited**

U.S. PATENT DOCUMENTS

D462,640 S * 9/2002 Sakae D12/169
D463,334 S * 9/2002 Koman D12/169
D473,500 S * 4/2003 Okumoto et al. D12/169
D474,720 S * 5/2003 Tachibana et al. D12/169
D479,699 S * 9/2003 Boyer D12/169

1 Claim, 8 Drawing Sheets

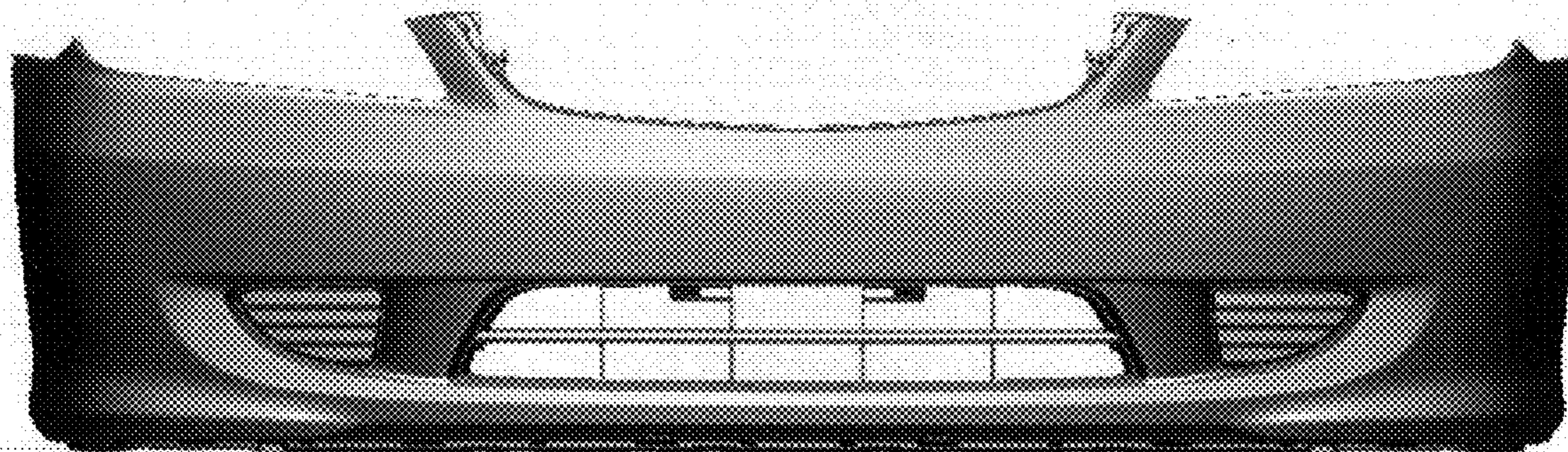


FIG. 1

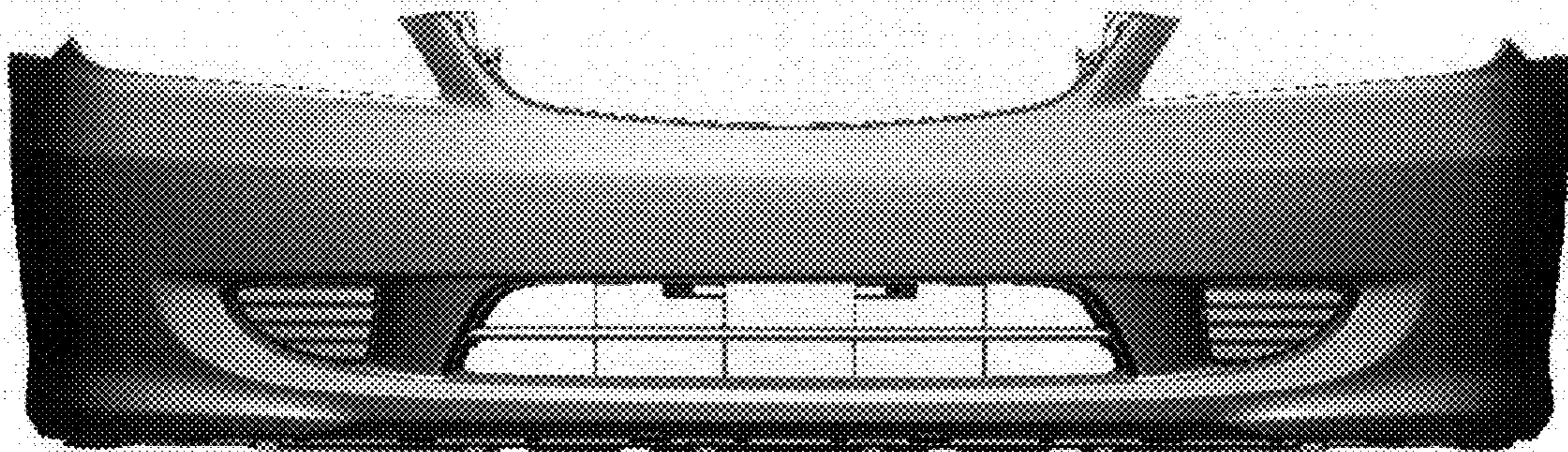


FIG. 2

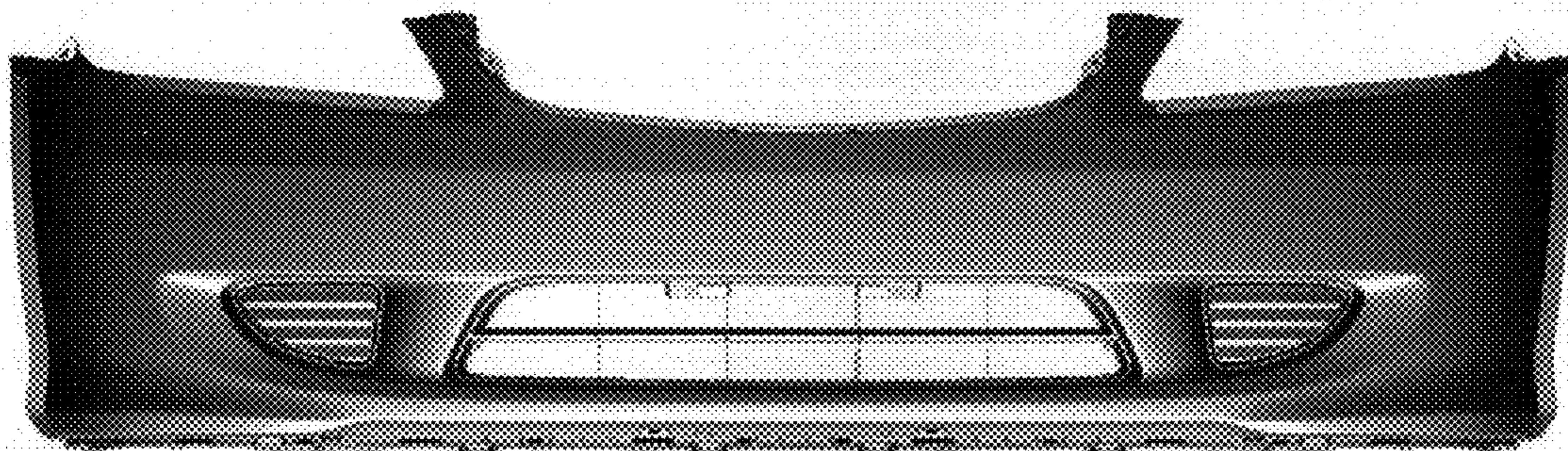


FIG. 3

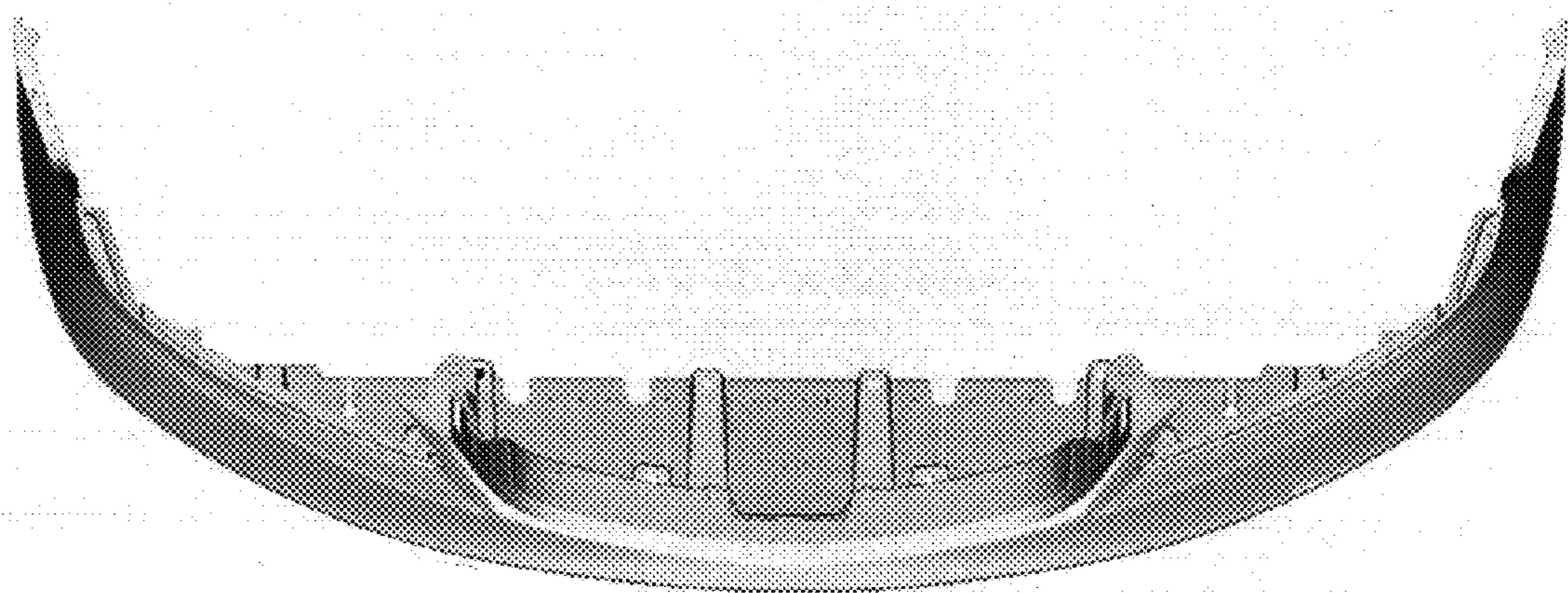


FIG. 4

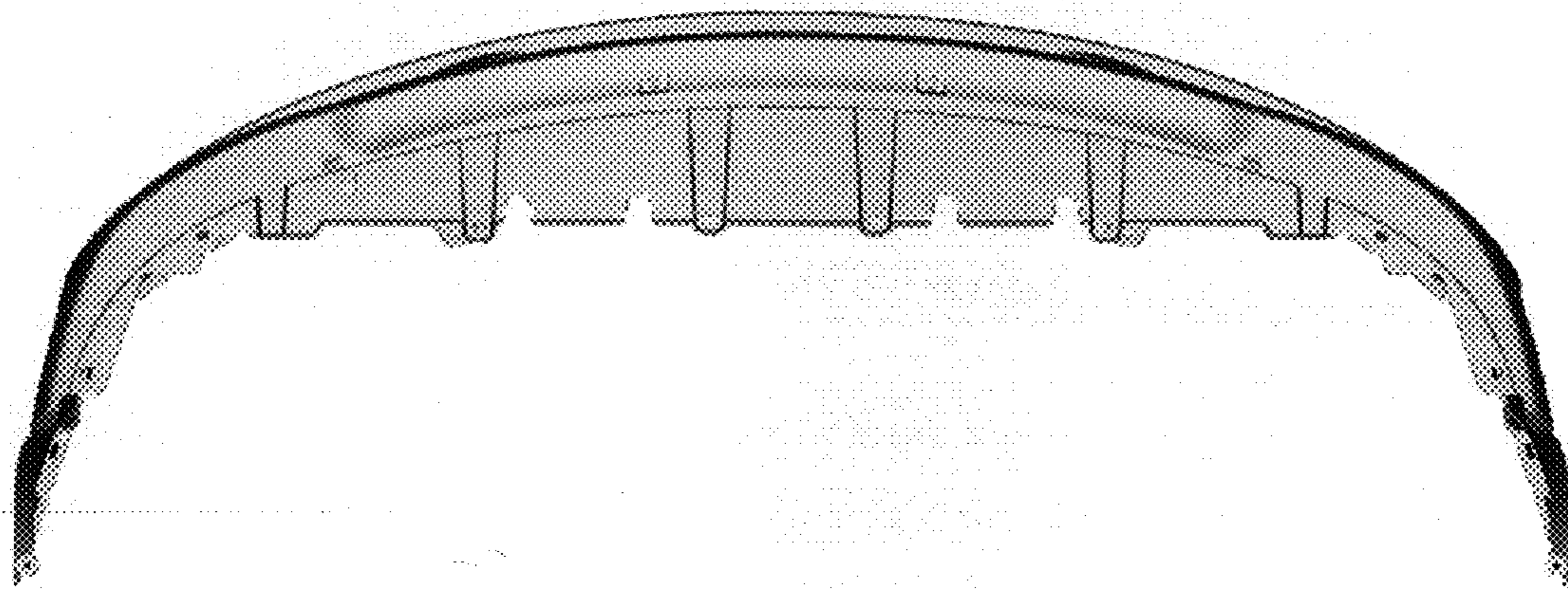


FIG. 5

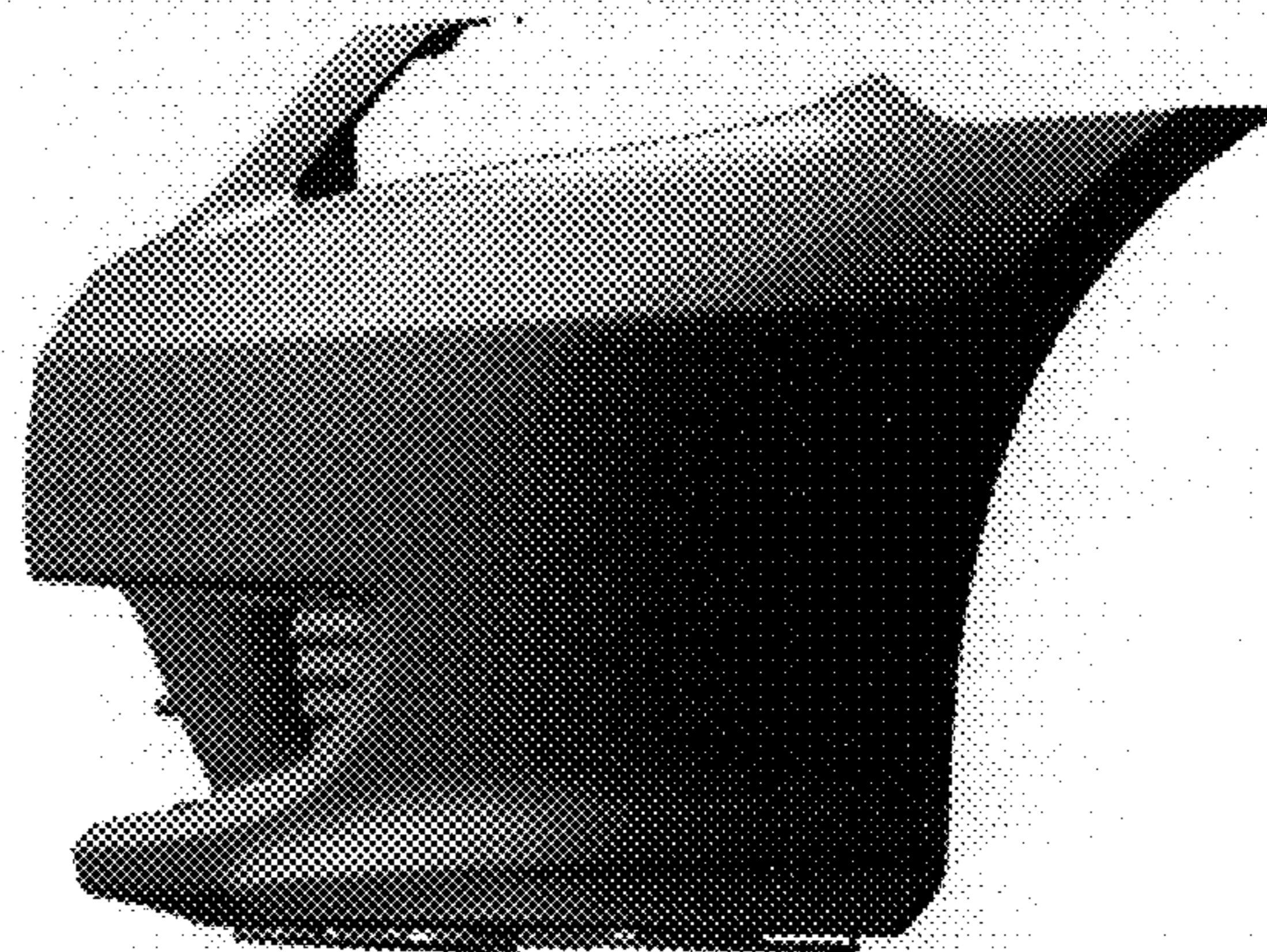


FIG. 6

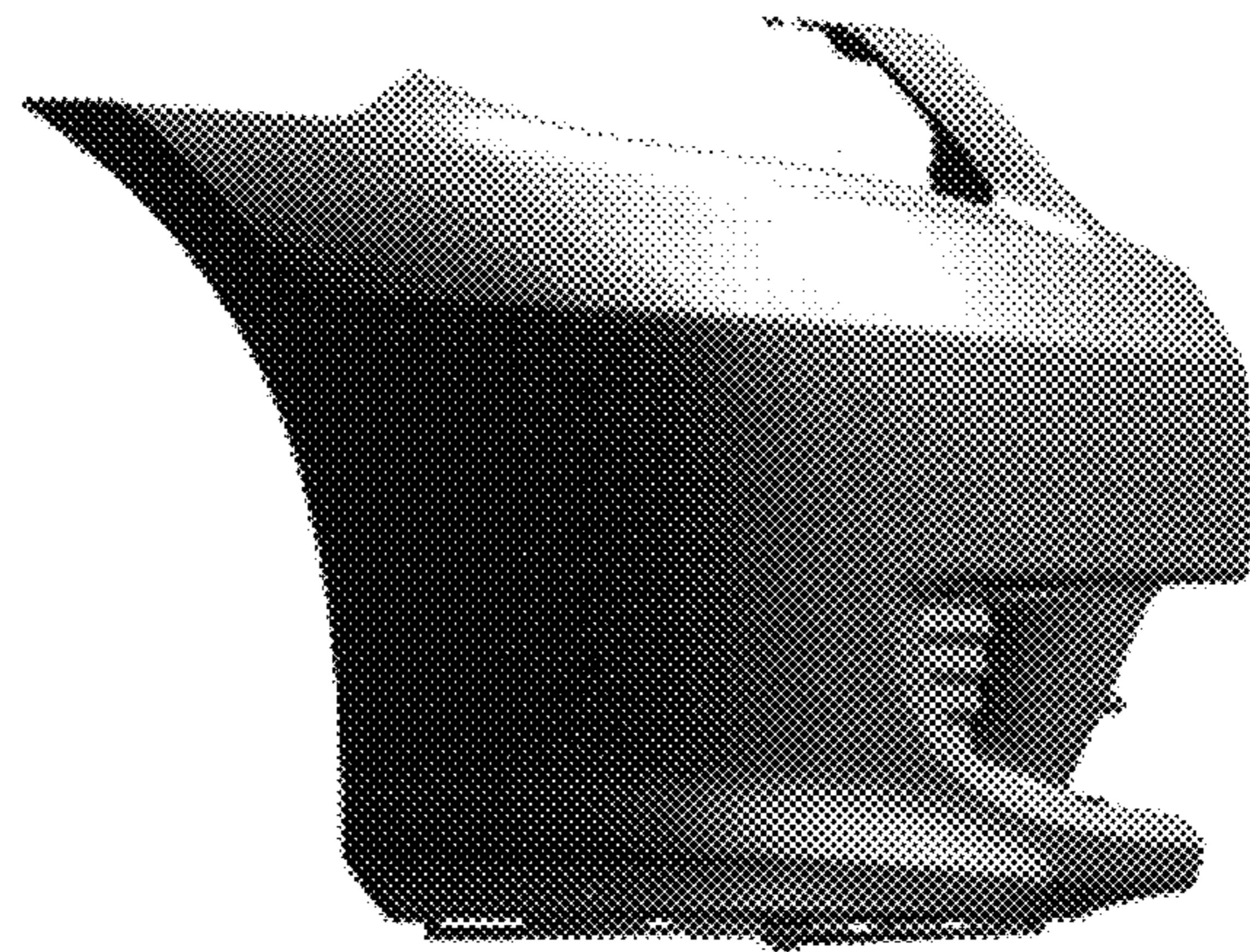


FIG. 7

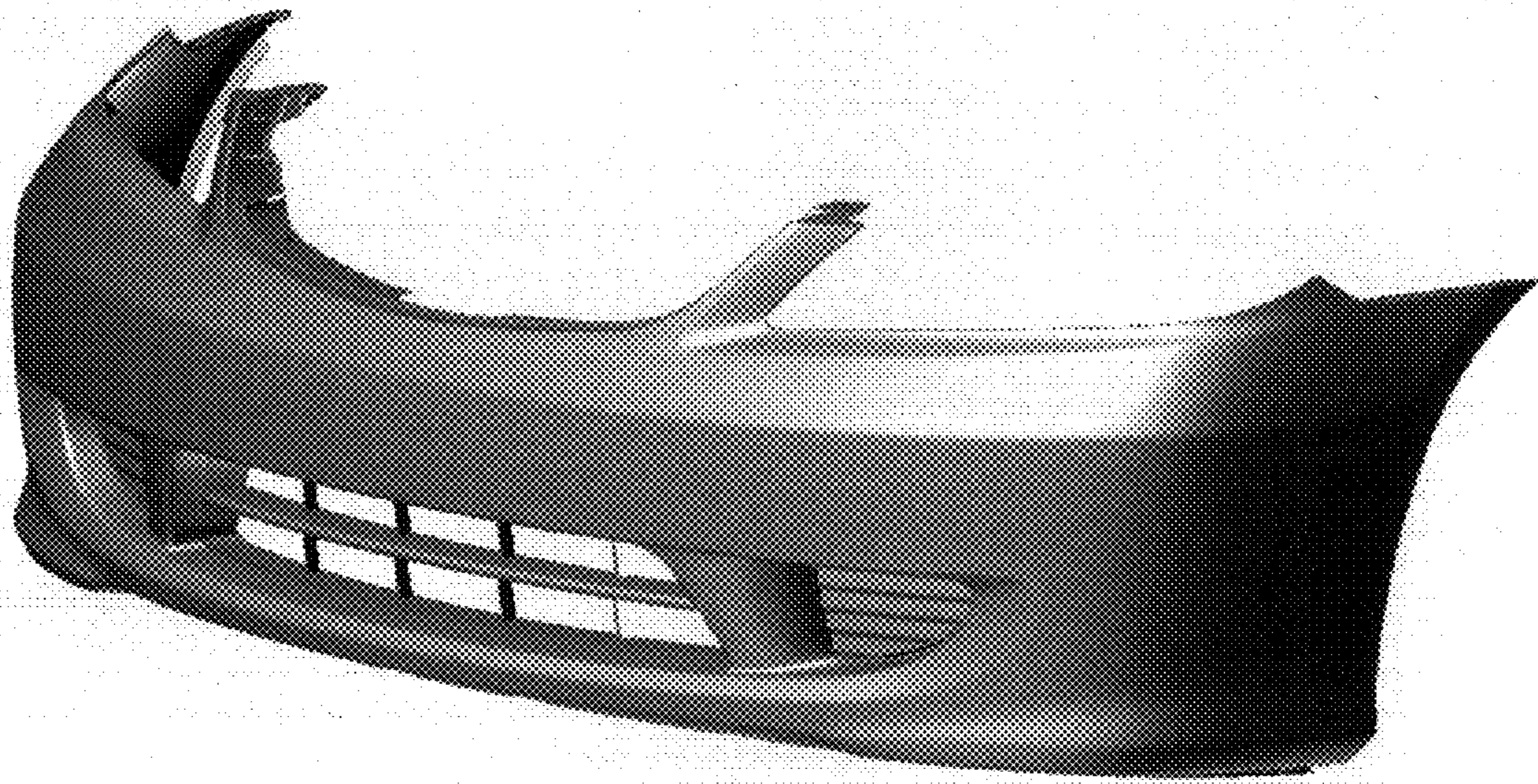


FIG. 8

