

US00D504346S

(12) **United States Design Patent**  
**Cavazos**

(10) **Patent No.:** **US D504,346 S**  
(45) **Date of Patent:** **\*\* Apr. 26, 2005**

(54) **COW BELL**

(76) **Inventor:** **Jose R. Cavazos**, 156 33 Valerio St.,  
Van Nuys, CA (US) 91406

(\*\*) **Term:** **14 Years**

(21) **Appl. No.:** **29/209,280**

(22) **Filed:** **Jul. 14, 2004**

(51) **LOC (7) Cl.** ..... **10-05**

(52) **U.S. Cl.** ..... **D10/116**

(58) **Field of Search** ..... D10/116, 121;  
116/148-151, 155, 170-172; 84/406, 402;  
D21/405, 411

D351,627 S \* 10/1994 Beckwith ..... D21/405  
D355,623 S \* 2/1995 Pagani ..... D11/26  
D382,023 S \* 8/1997 Brady ..... D21/405  
D408,313 S \* 4/1999 Friess ..... D10/116  
6,346,664 B1 2/2002 Shuen  
D459,382 S 6/2002 Cohen  
D459,749 S 7/2002 Cohen  
D459,750 S 7/2002 Cohen  
6,489,546 B1 12/2002 Enhoffer et al.

\* cited by examiner

*Primary Examiner*—Nelson C. Holtje

(57) **CLAIM**

The ornamental design for a cow bell, as shown and described.

(56) **References Cited**

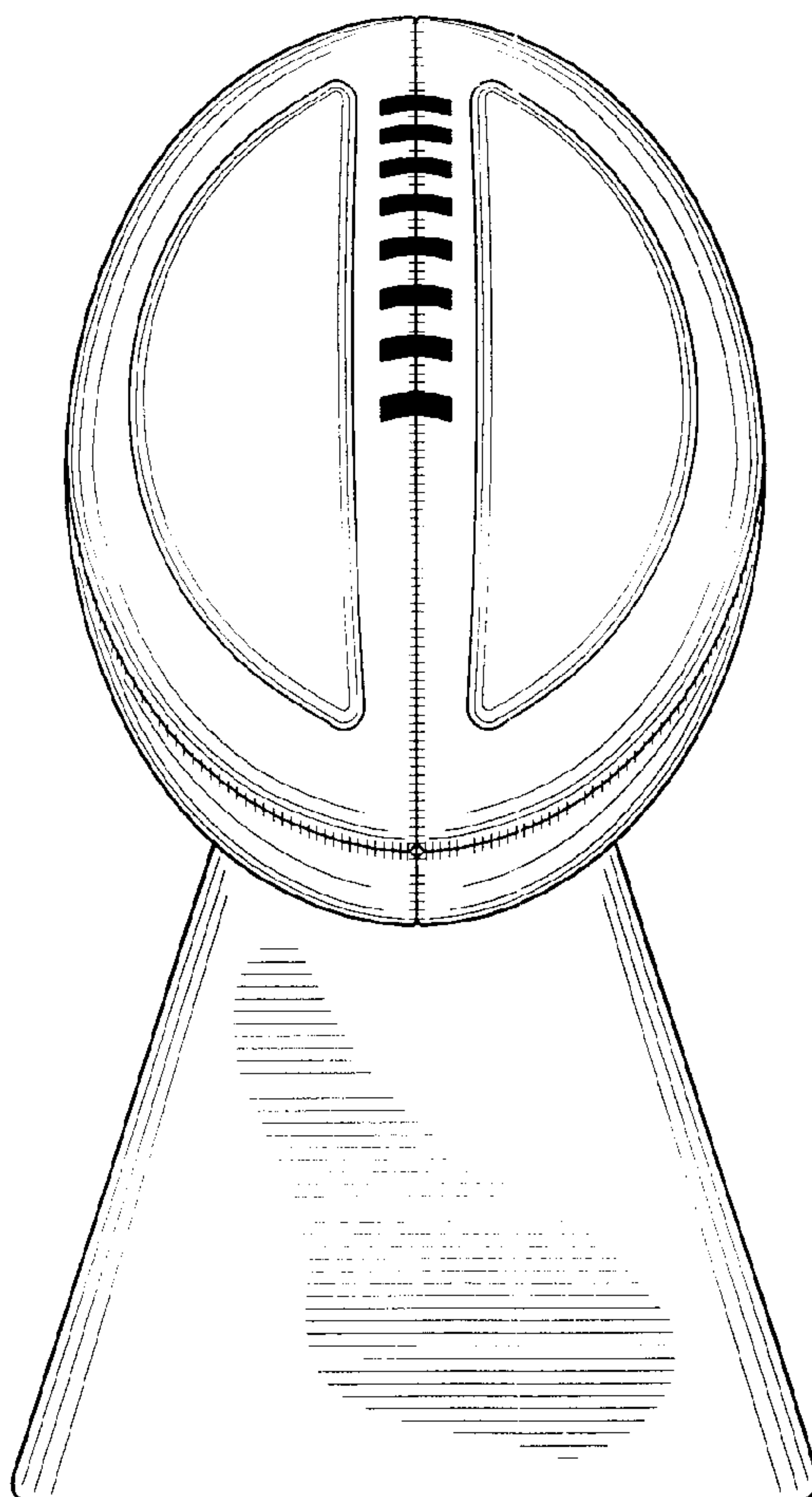
**U.S. PATENT DOCUMENTS**

166,521 A \* 8/1875 Goff ..... 116/170  
D201,410 S \* 6/1965 O’Russa ..... D10/116  
D206,176 S \* 11/1966 Guarino ..... D10/119  
3,595,121 A 7/1971 Magers  
D298,543 S 11/1988 Benson et al.  
4,976,651 A 12/1990 Frank  
4,981,065 A \* 1/1991 Cohen ..... 84/402  
D339,384 S \* 9/1993 Seifan ..... D21/411  
D350,908 S \* 9/1994 Tamez ..... D10/119

**DESCRIPTION**

FIG. 1 is a front elevational view of a cow bell showing my new design;  
FIG. 2 is a rear elevational view thereof;  
FIG. 3 is a side view, taken from the left side of FIG. 1, the right side view being a mirror image thereof;  
FIG. 4 is a top plan view thereof; and,  
FIG. 5 is a bottom plan view thereof.

**1 Claim, 2 Drawing Sheets**



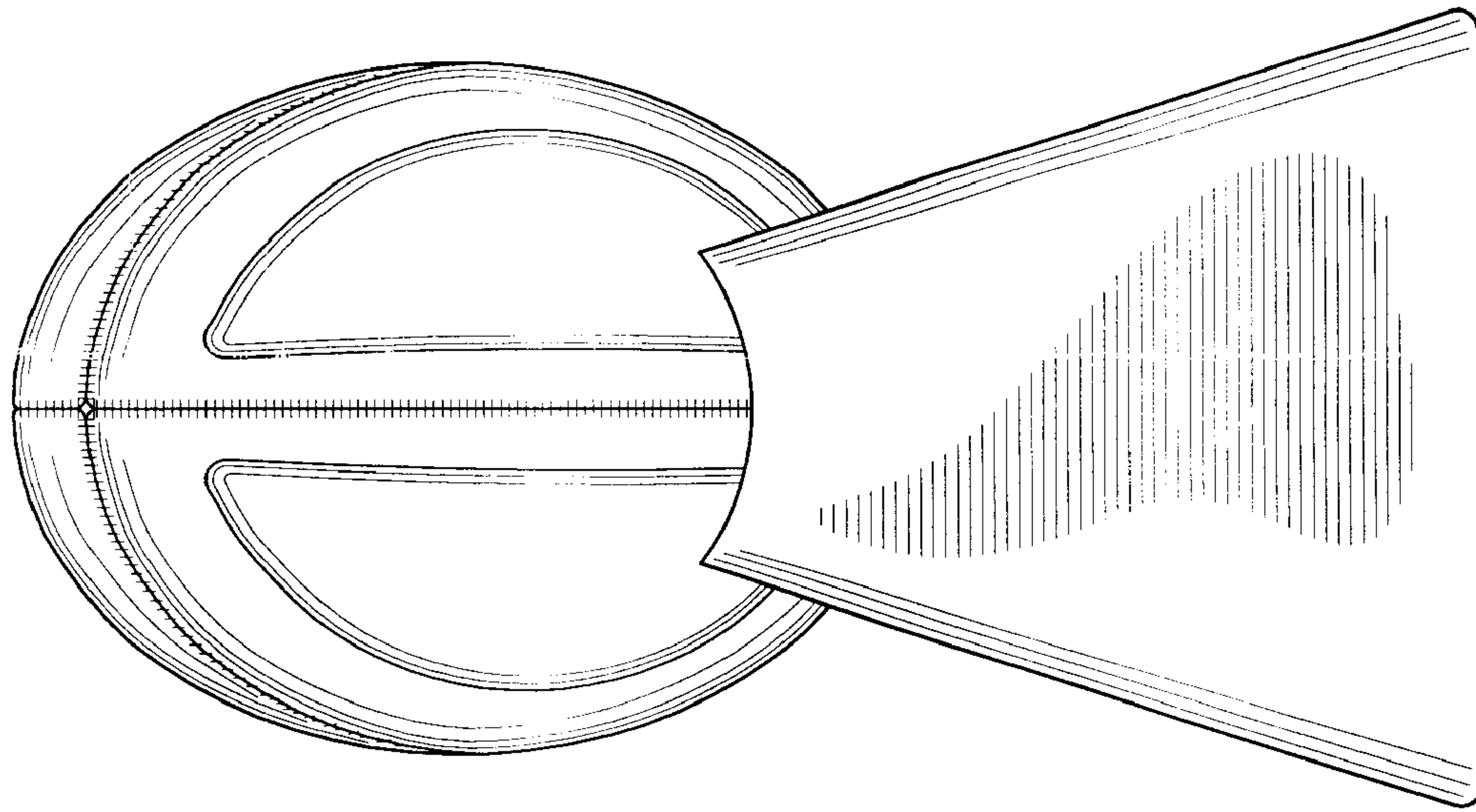


FIG. 2

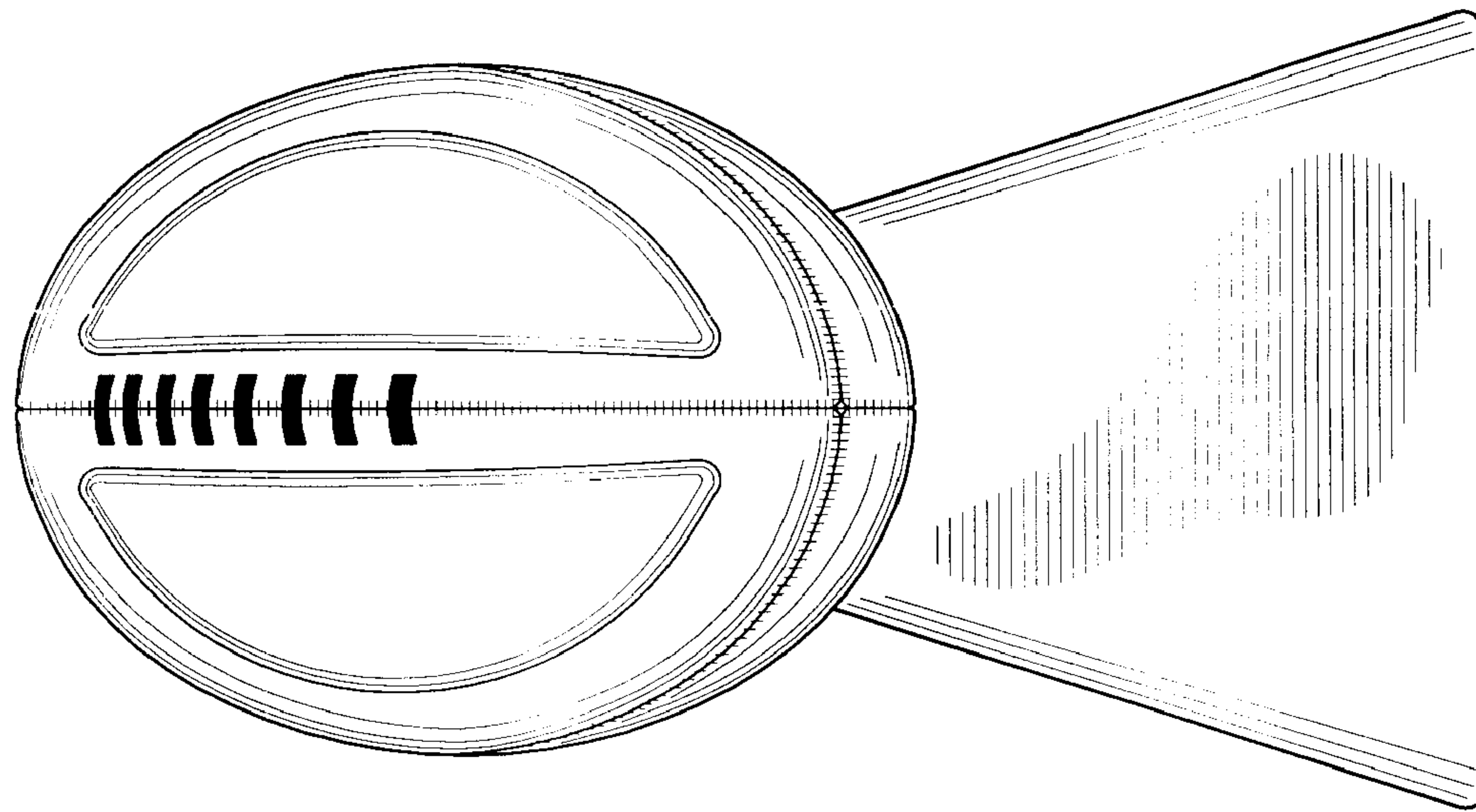


FIG. 1

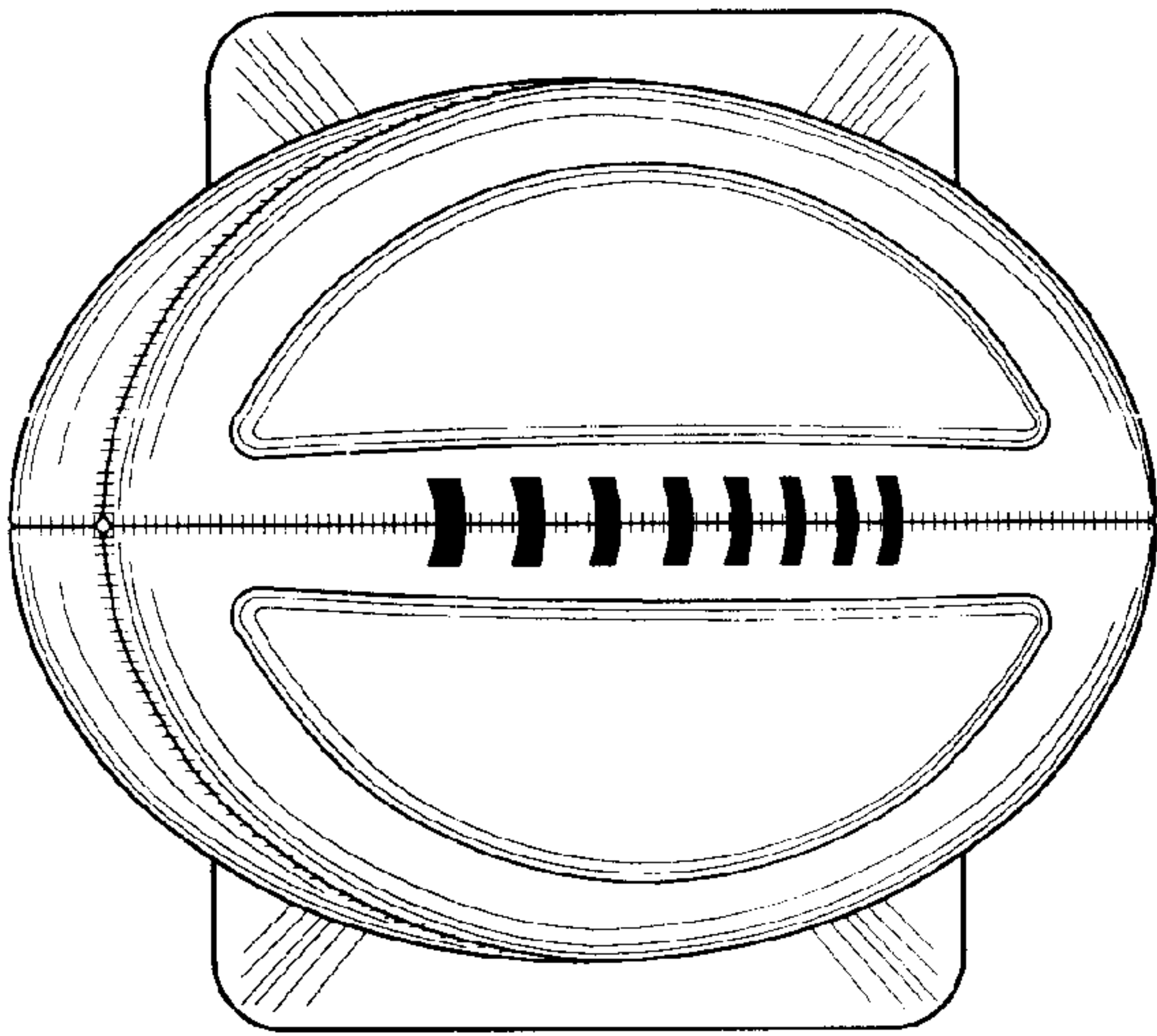


FIG. 4

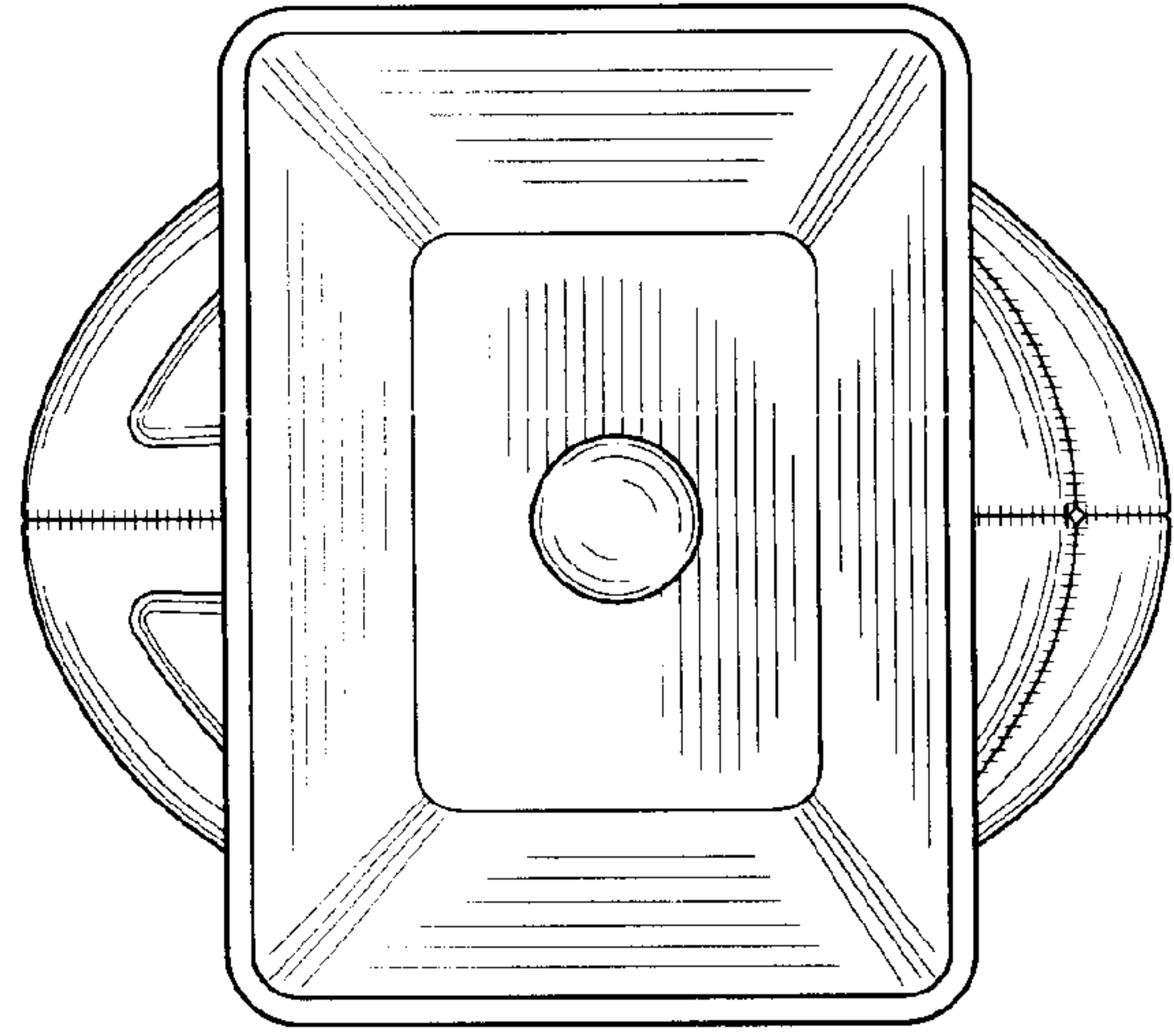


FIG. 5

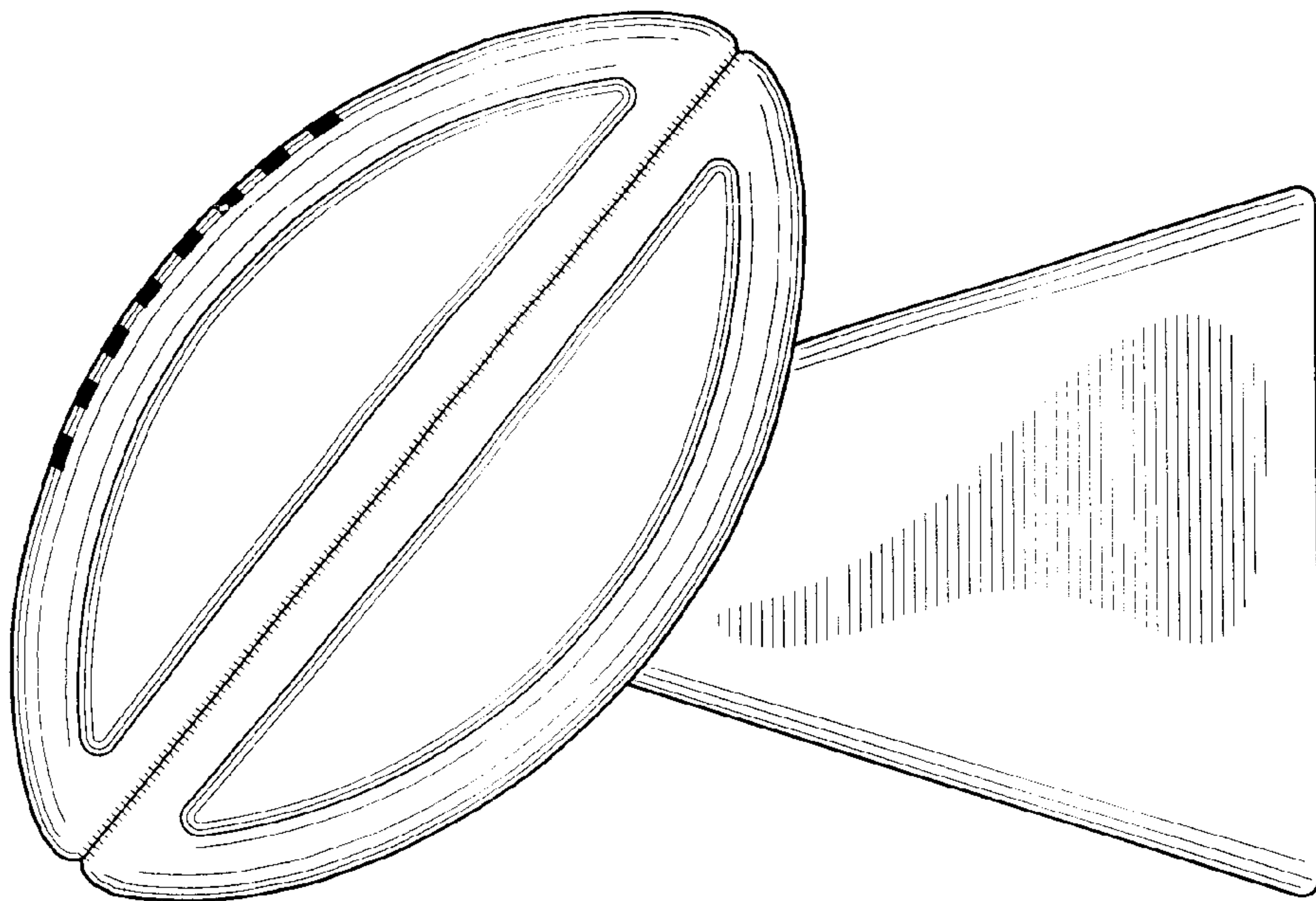


FIG. 3