

US00D504339S

(12) **United States Design Patent**
Snider

(10) **Patent No.:** **US D504,339 S**

(45) **Date of Patent:** **** Apr. 26, 2005**

(54) **LASER LEVEL**

(75) **Inventor:** **G. Scott Snider**, Bel Air, MD (US)

(73) **Assignee:** **Black & Decker Inc.**, Newark, DE (US)

(**) **Term:** **14 Years**

(21) **Appl. No.:** **29/201,634**

(22) **Filed:** **Mar. 18, 2004**

(51) **LOC (7) Cl.** **10-04**

(52) **U.S. Cl.** **D10/69**

(58) **Field of Search** D10/69, 65, 74;
33/285, 286, 290, 291, 292, DIG. 21, 383,
348, 348.2, 365-390; 356/247, 248, 249,
250, 138; 362/259

(56) **References Cited**

U.S. PATENT DOCUMENTS

3,663,111 A * 5/1972 Tsuda et al. 356/250

3,807,869 A * 4/1974 Hartley 356/149
4,859,931 A * 8/1989 Yamashita et al. 324/67
D474,985 S * 5/2003 Cooper et al. D10/69

* cited by examiner

Primary Examiner—Lucy Lieberman

(74) *Attorney, Agent, or Firm*—Adan Ayala

(57) **CLAIM**

The ornamental design for a laser level, as shown and described.

DESCRIPTION

FIG. 1 is a perspective view of a laser level according to the invention.

FIG. 2 is a front elevational view of the laser level.

FIG. 3 is a rear elevational view of the laser level.

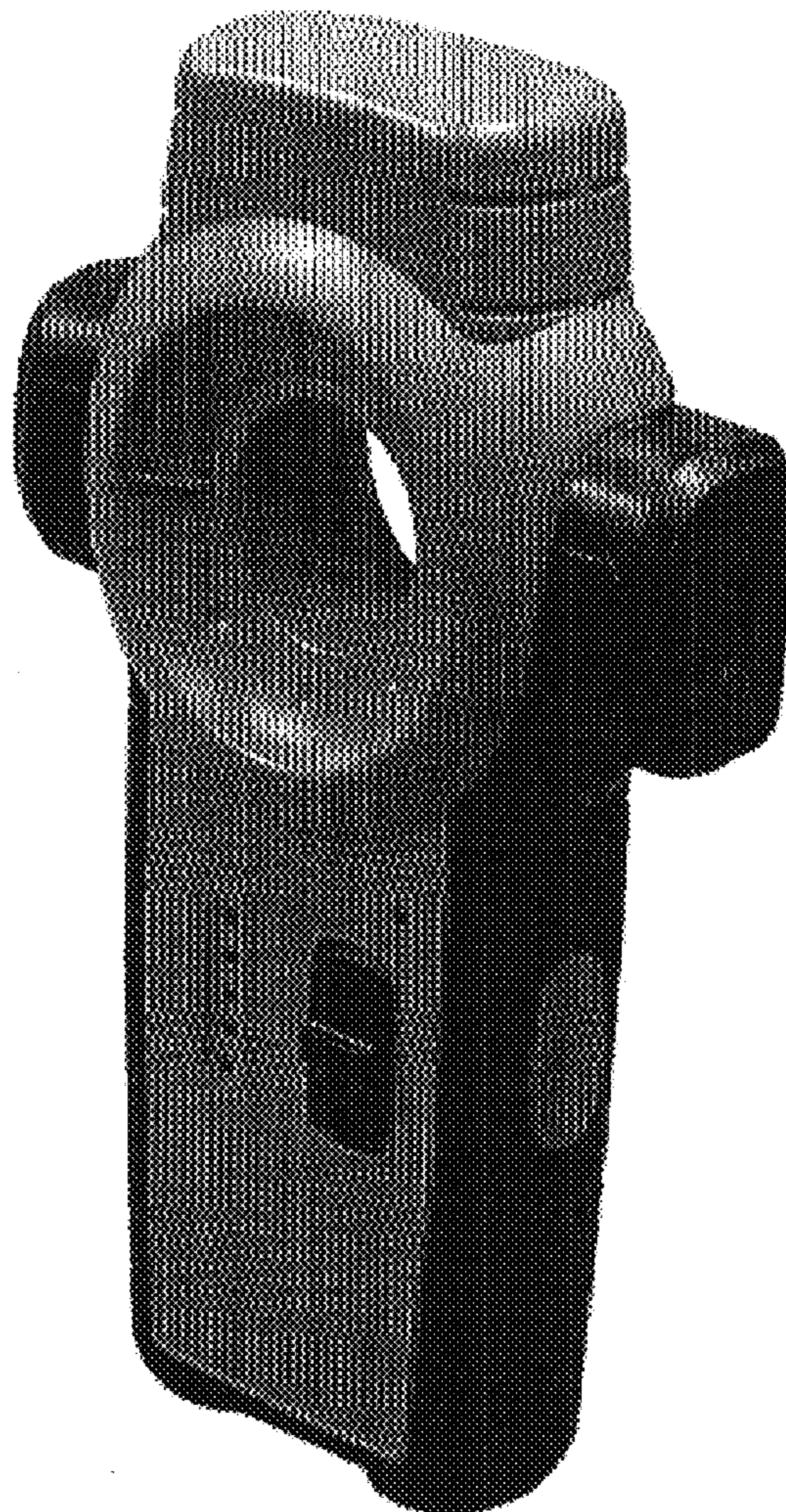
FIG. 4 is a left side elevational view of the laser level.

FIG. 5 is a right side elevational view of the laser level.

FIG. 6 is a top plan view of the laser level; and,

FIG. 7 is a bottom plan view of the laser level.

1 Claim, 7 Drawing Sheets



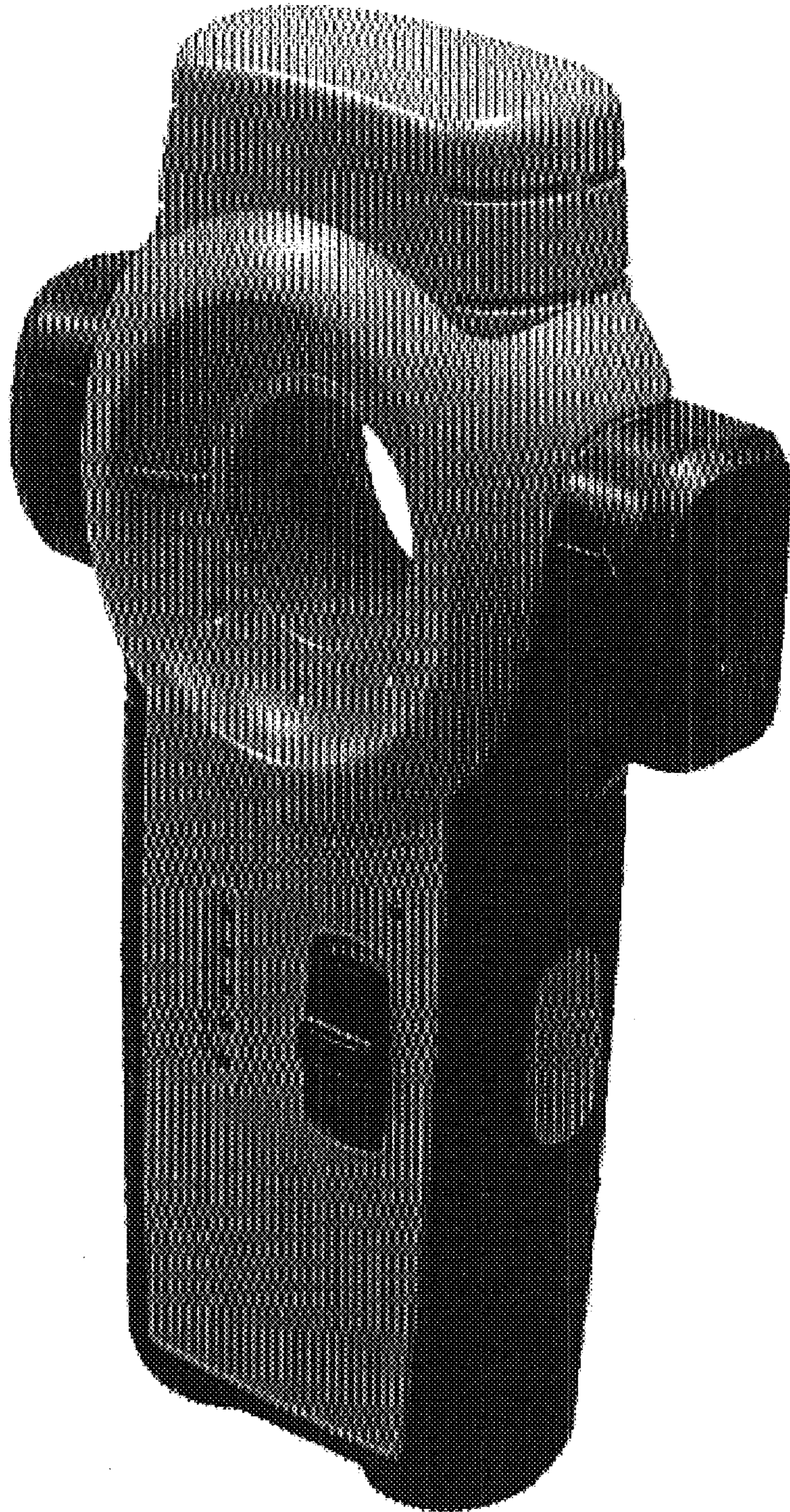


FIG. 1

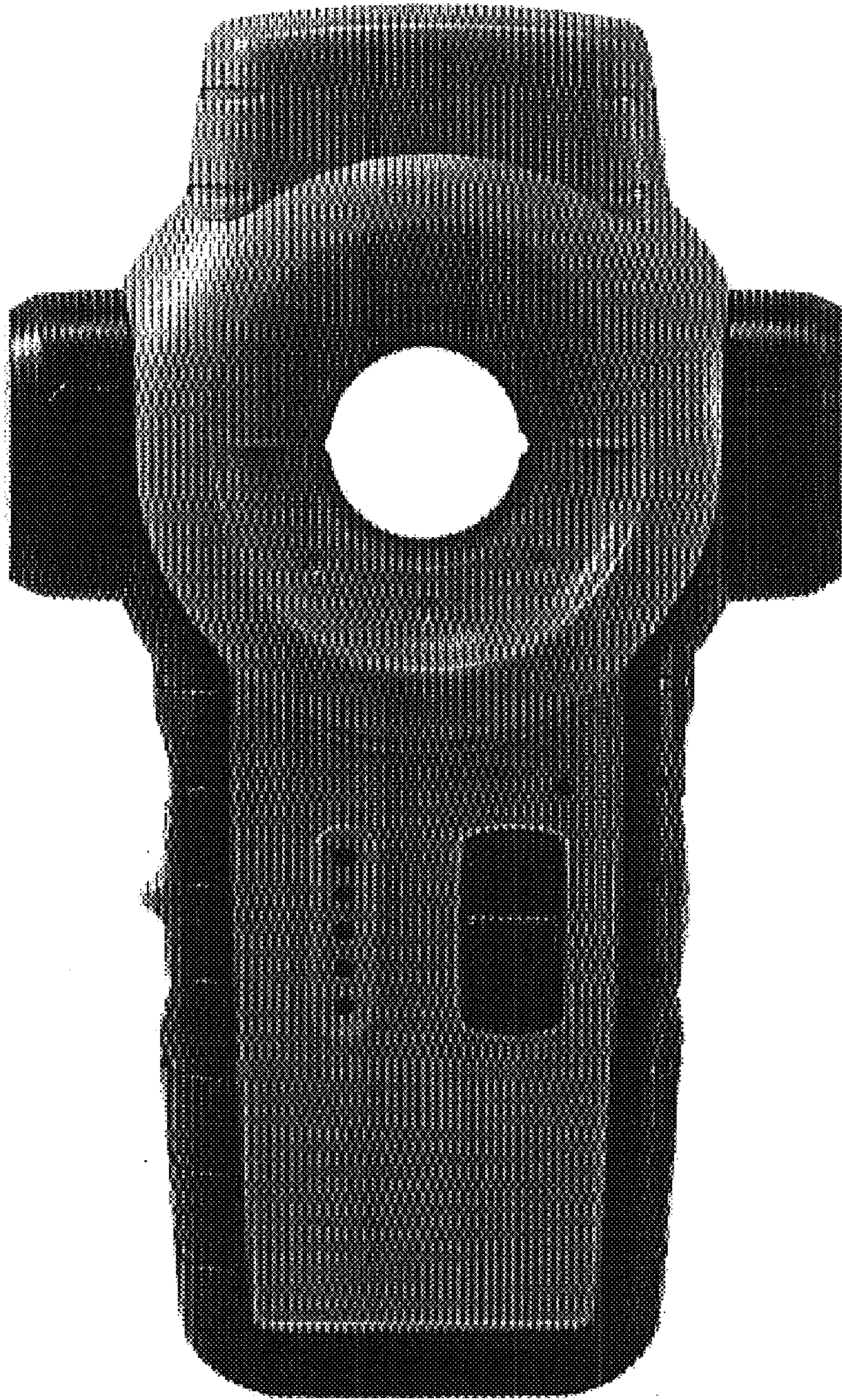


FIG. 2



FIG.3

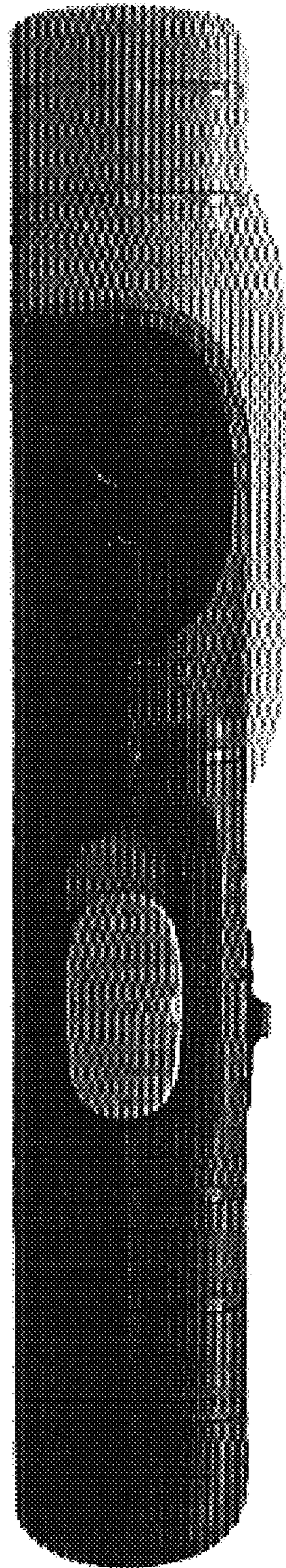


FIG. 4

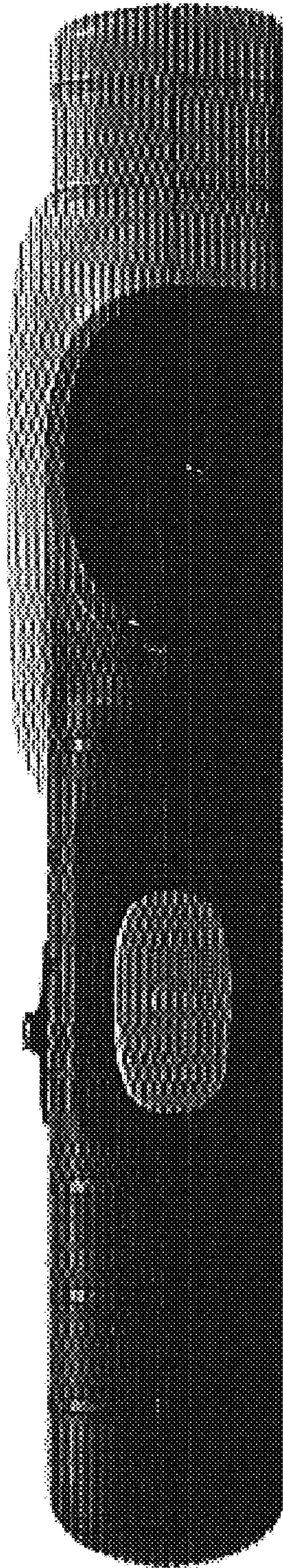


FIG. 5

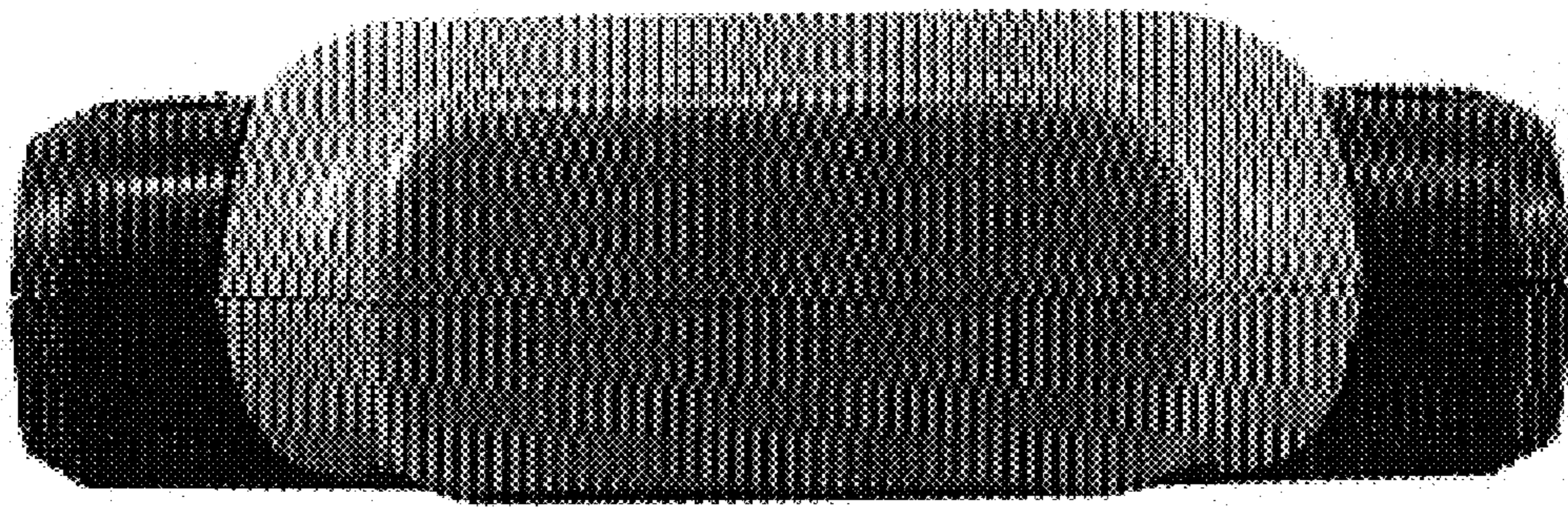


FIG. 6

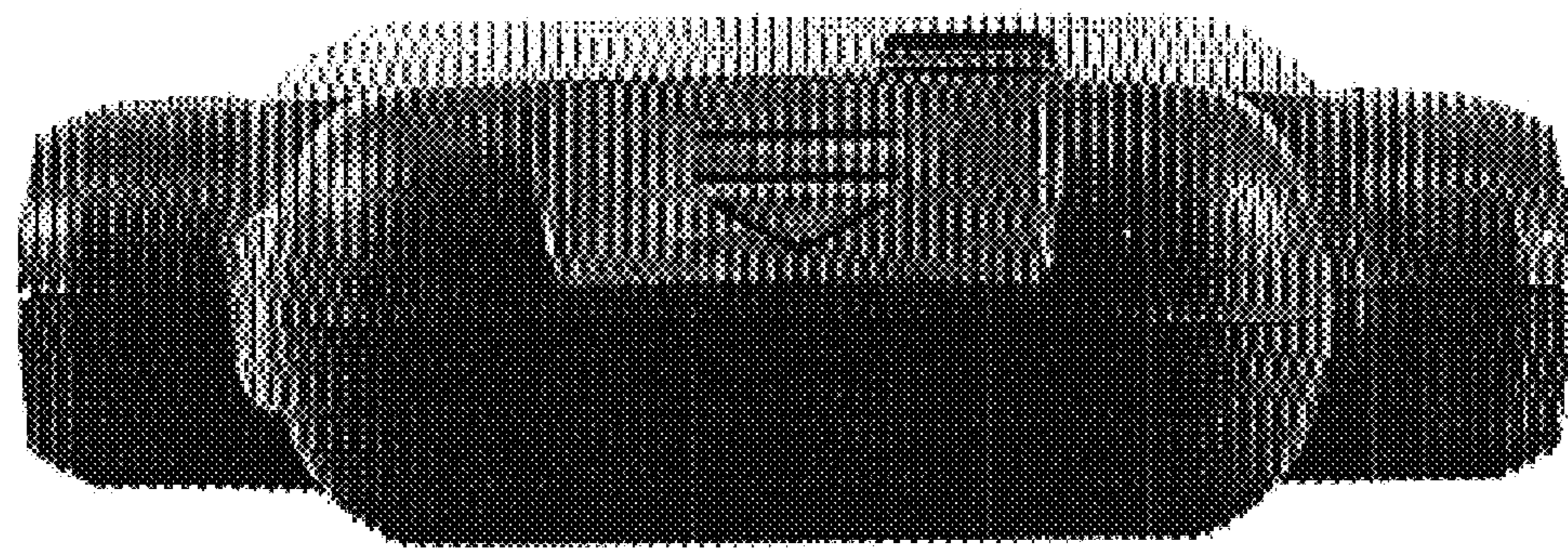


FIG. 7