



US00D504337S

(12) **United States Design Patent**
Price et al.

(10) **Patent No.:** **US D504,337 S**
(45) **Date of Patent:** **** Apr. 26, 2005**

(54) **INTEGRATED GUIDANCE SYSTEM**

6,405,131 B1 * 6/2002 Barton 701/211
6,421,602 B1 * 7/2002 Bullock et al. 701/201
6,813,585 B1 * 11/2004 Leutz et al. 701/209

(75) Inventors: **Gregory Robin Price**, Christchurch
(NZ); **Thomas William Keen**,
Christchurch (NZ)

* cited by examiner

Primary Examiner—Antoine D. Davis

(73) Assignee: **Trimble Navigation Limited**,
Sunnyvale, CA (US)

(57) **CLAIM**

(**) Term: **14 Years**

We claim the ornamental design for an integrated guidance system, as shown and described.

(21) Appl. No.: **29/195,541**

DESCRIPTION

(22) Filed: **Dec. 12, 2003**

(51) **LOC (7) Cl.** **10-04**

(52) **U.S. Cl.** **D10/65**

(58) **Field of Search** D10/65; 340/990,
340/988, 995, 995.2; 701/201–223

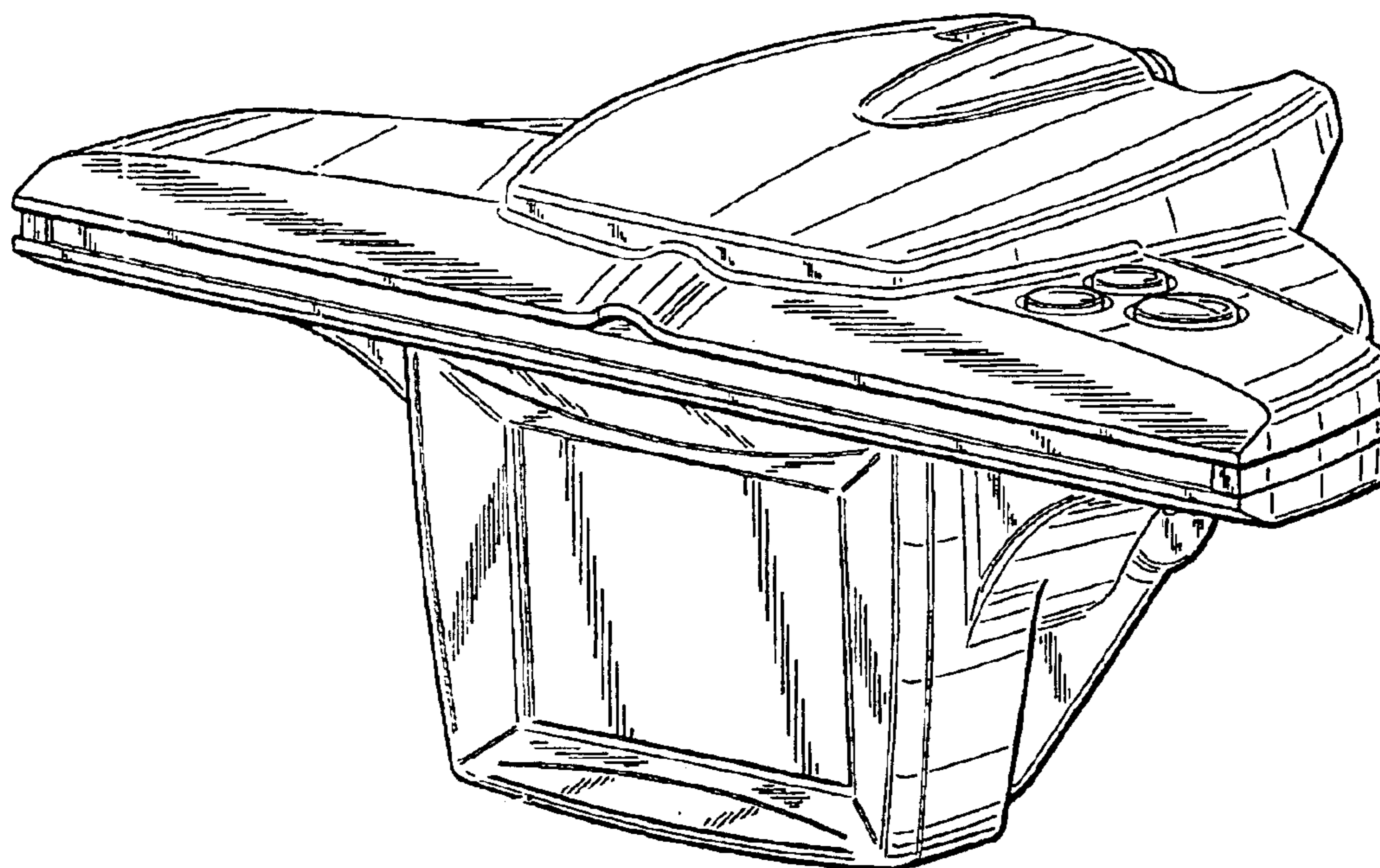
FIG. 1 is an upper right frontal perspective view of an integrated guidance system showing our new design; FIG. 2 is a lower left rear perspective view thereof; FIG. 3 is a top plan view thereof; FIG. 4 is a front elevational view thereof; FIG. 5 is a bottom plan view thereof; FIG. 6 is a rear elevational view thereof; FIG. 7 is a right side elevational view thereof; and, FIG. 8 is a left side elevational view thereof.

(56) **References Cited**

U.S. PATENT DOCUMENTS

5,204,817 A * 4/1993 Yoshida 701/209
5,964,821 A * 10/1999 Brunts et al. 701/201

1 Claim, 4 Drawing Sheets



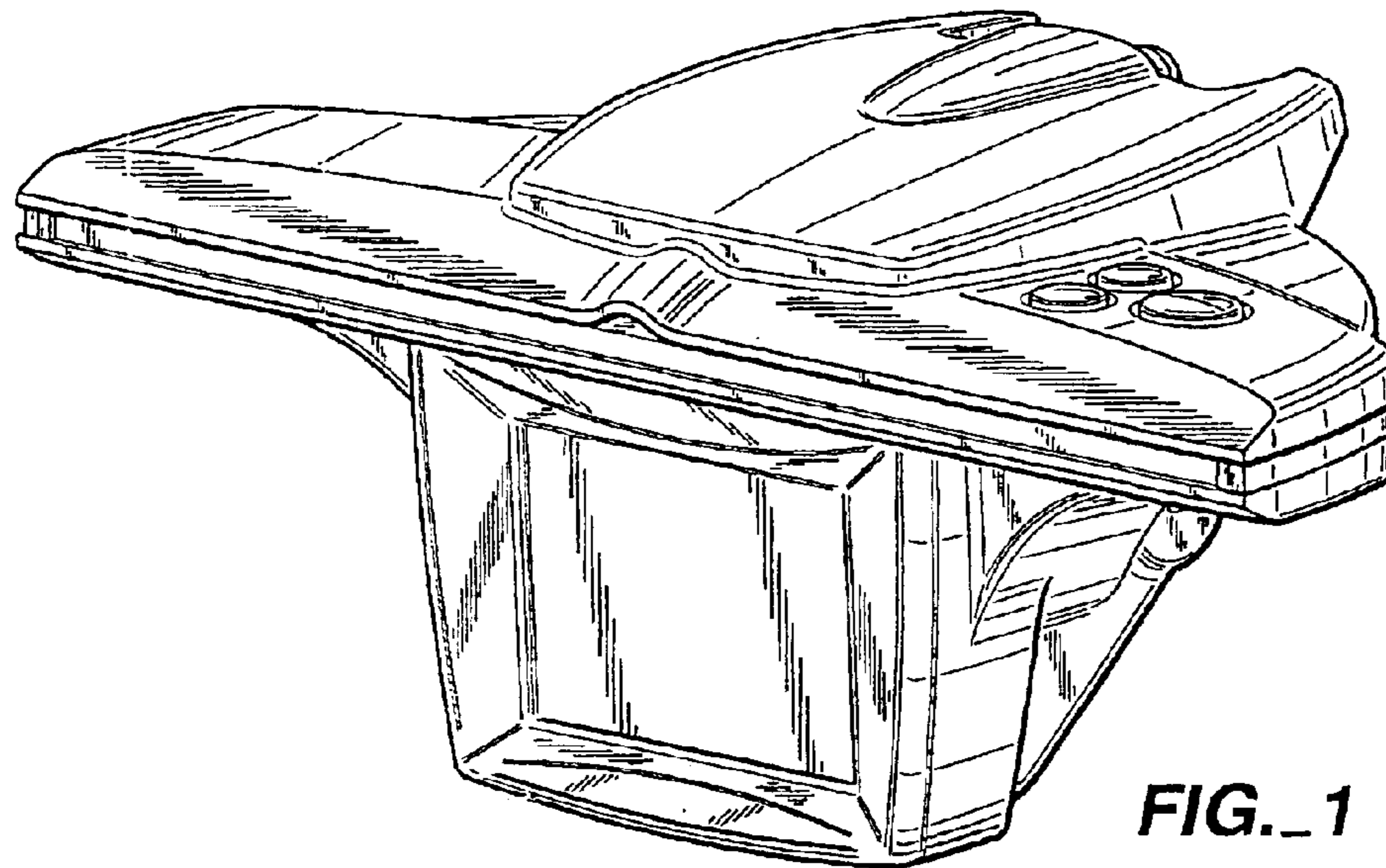


FIG. 1

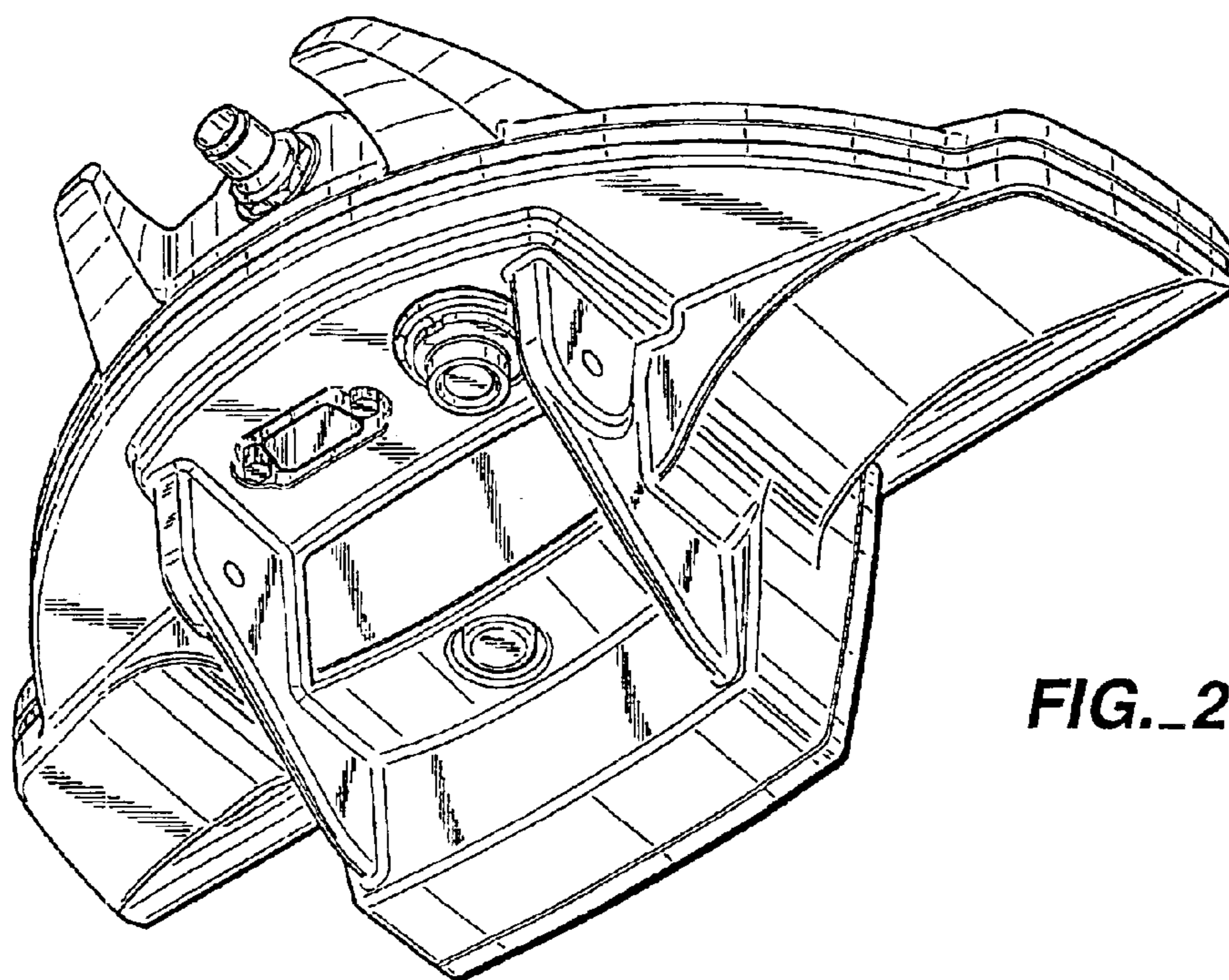


FIG. 2

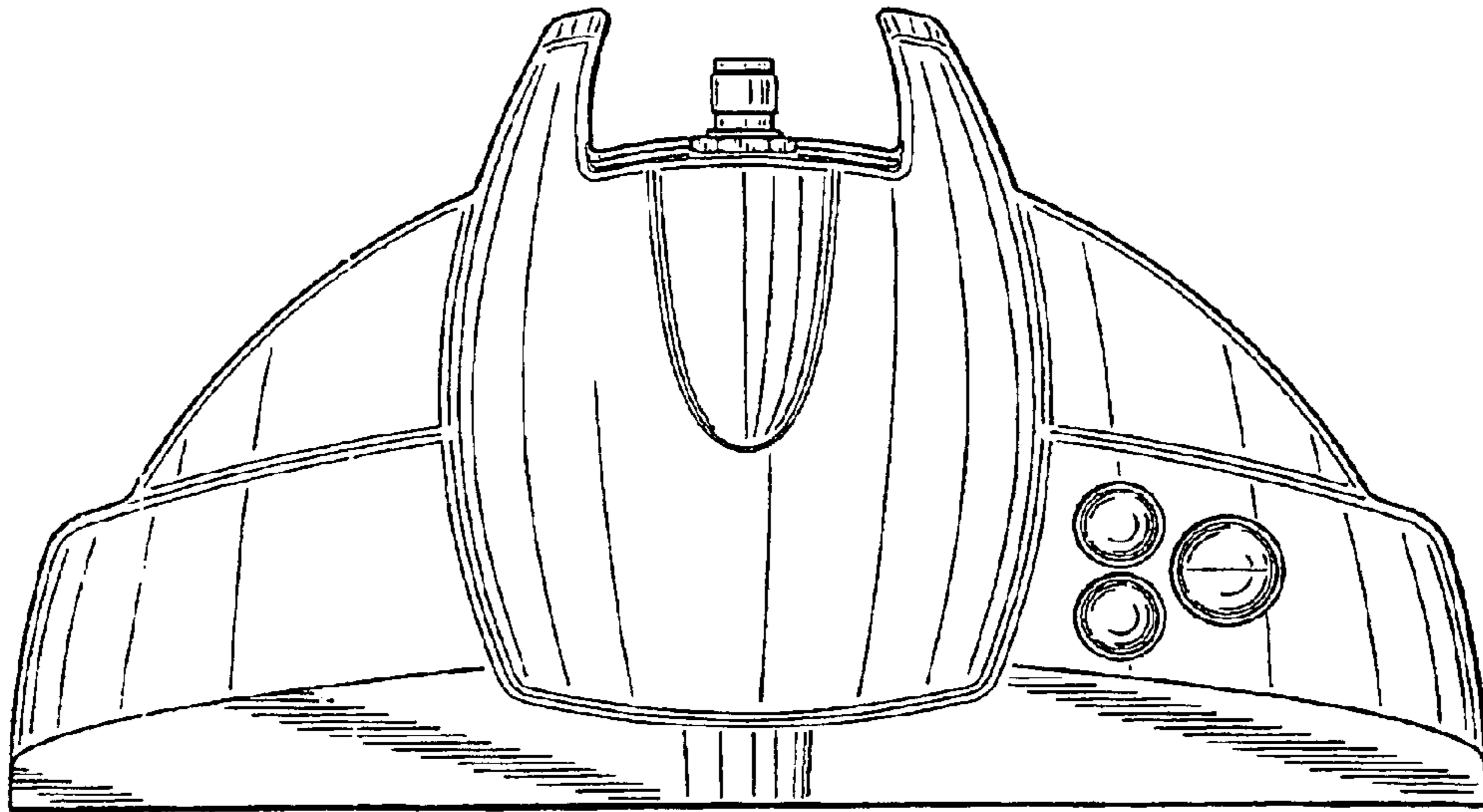


FIG. 3

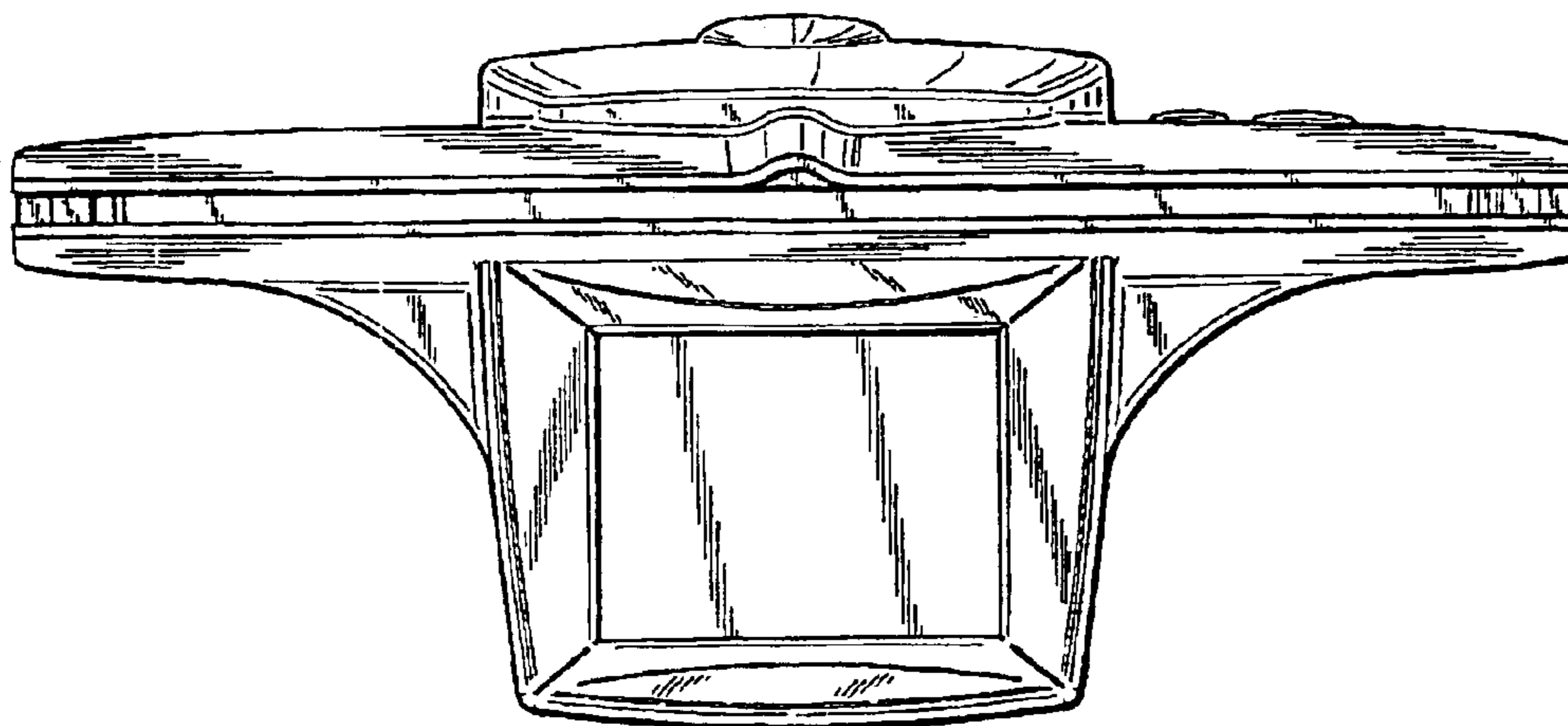


FIG. 4

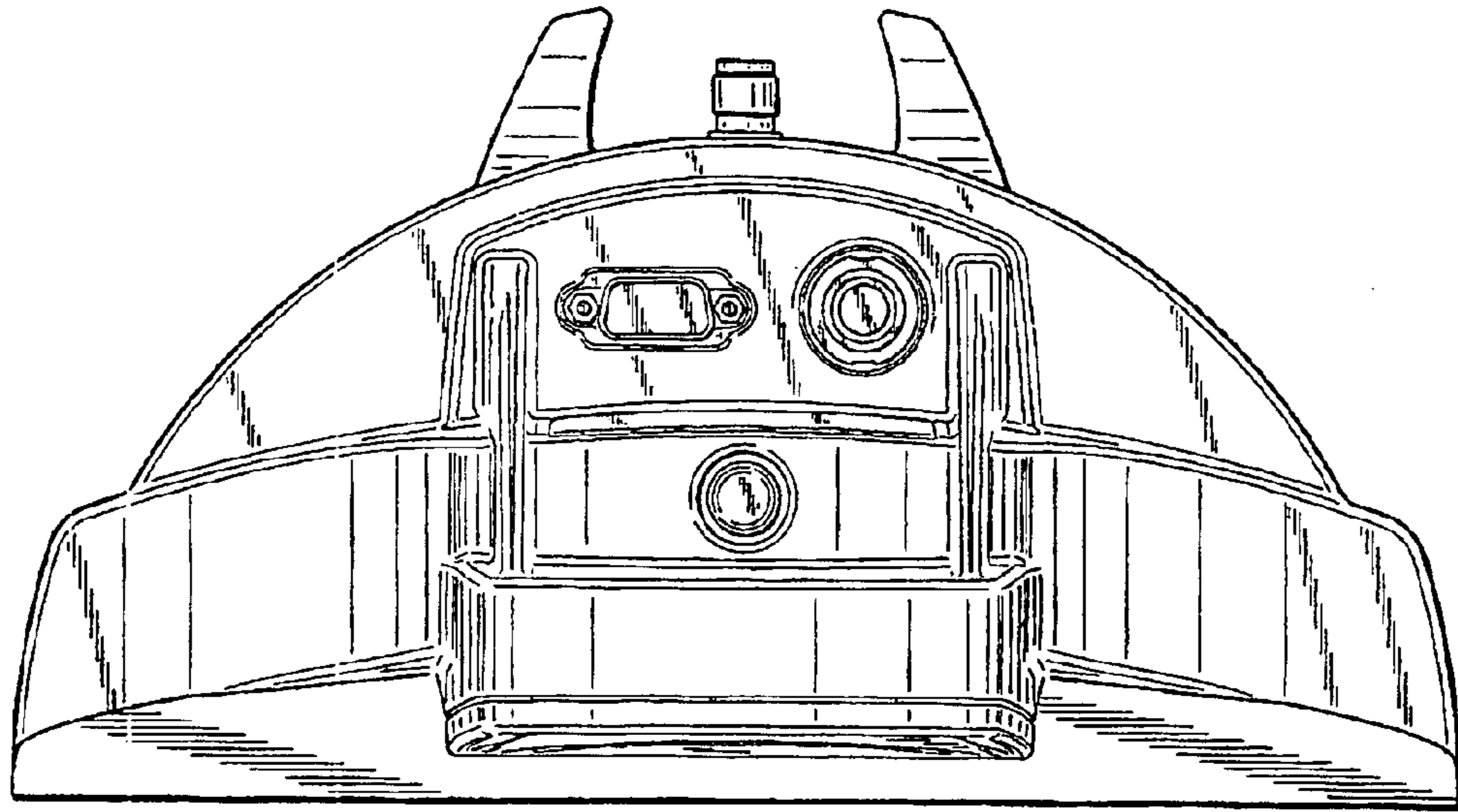


FIG. 5

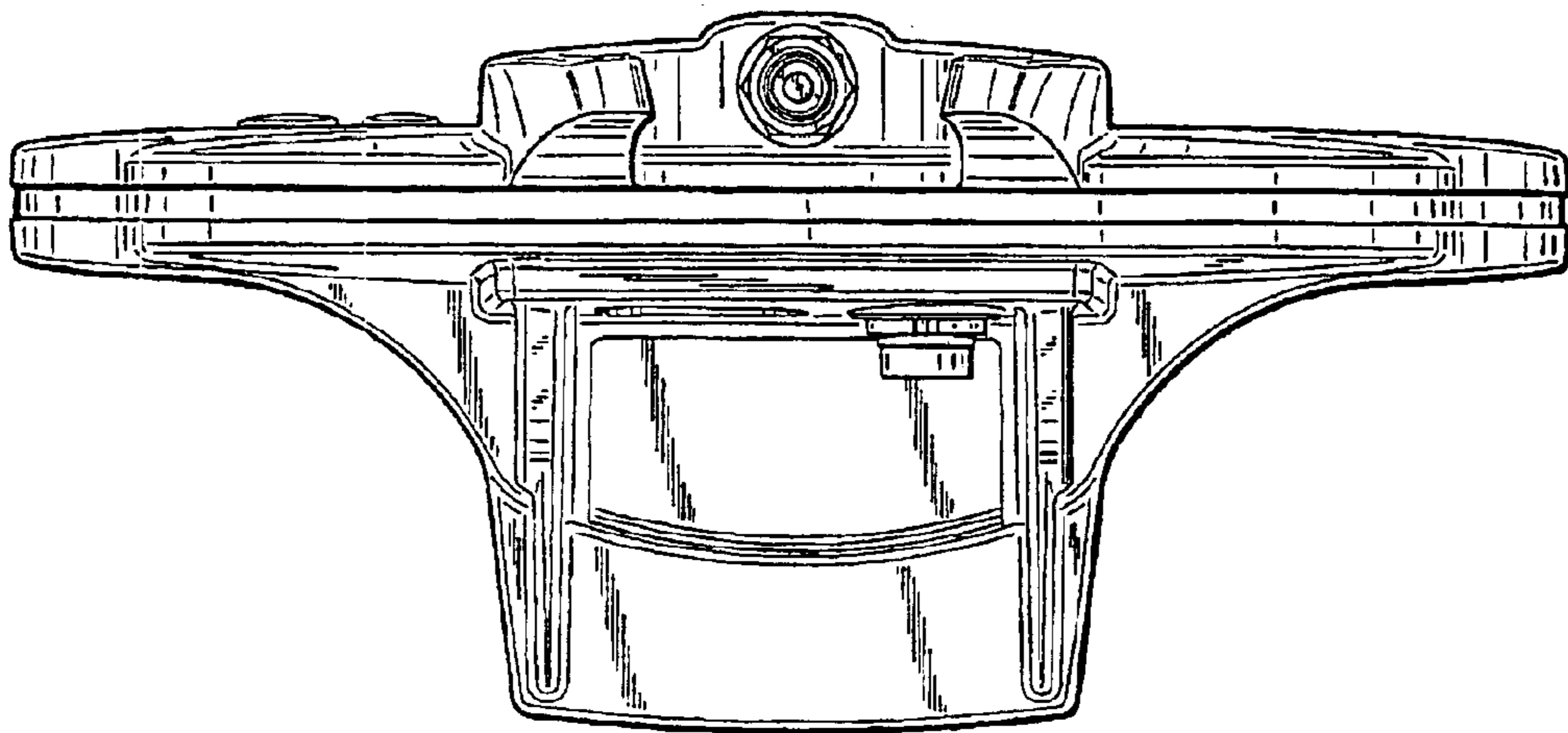


FIG. 6

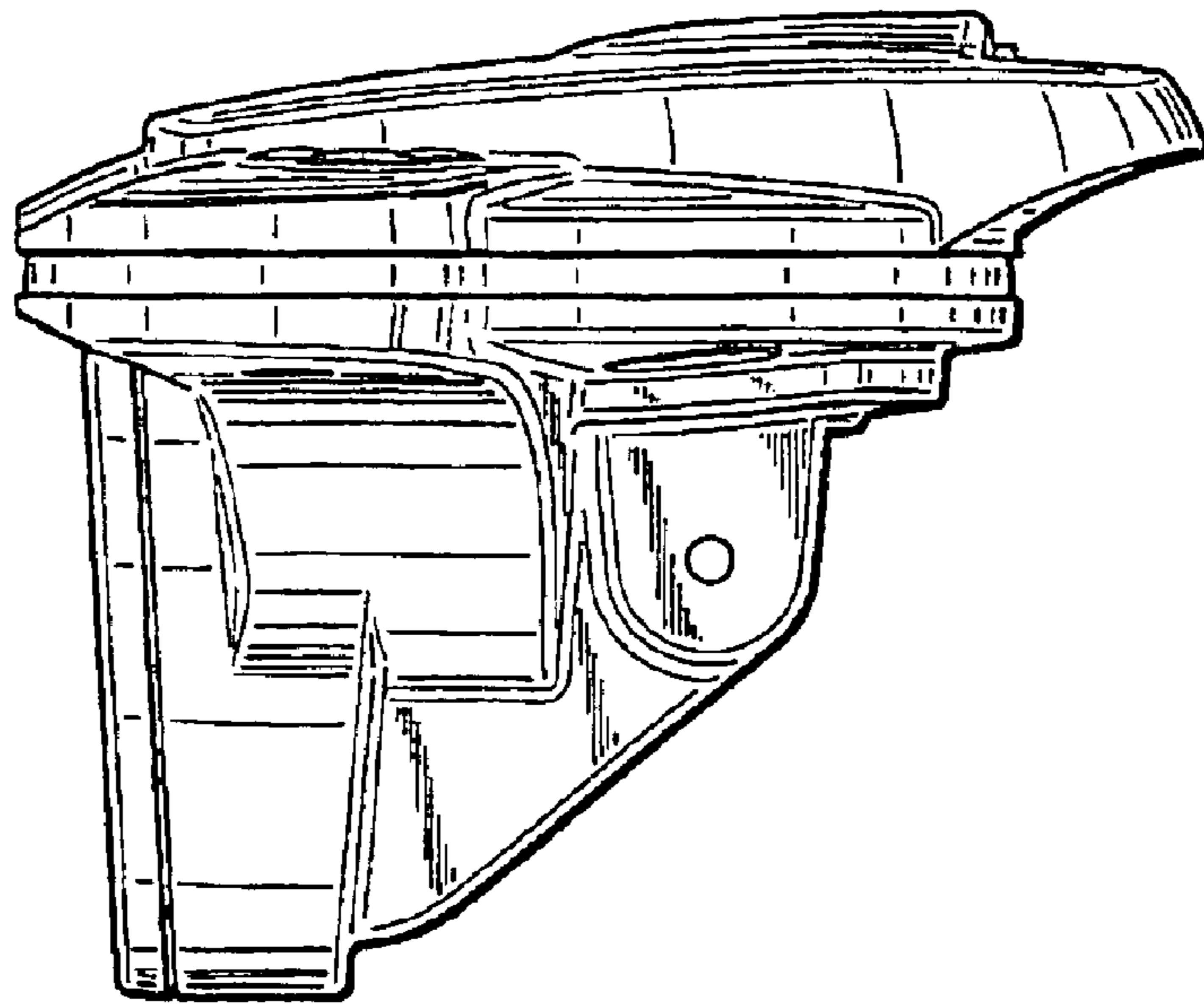


FIG. 7

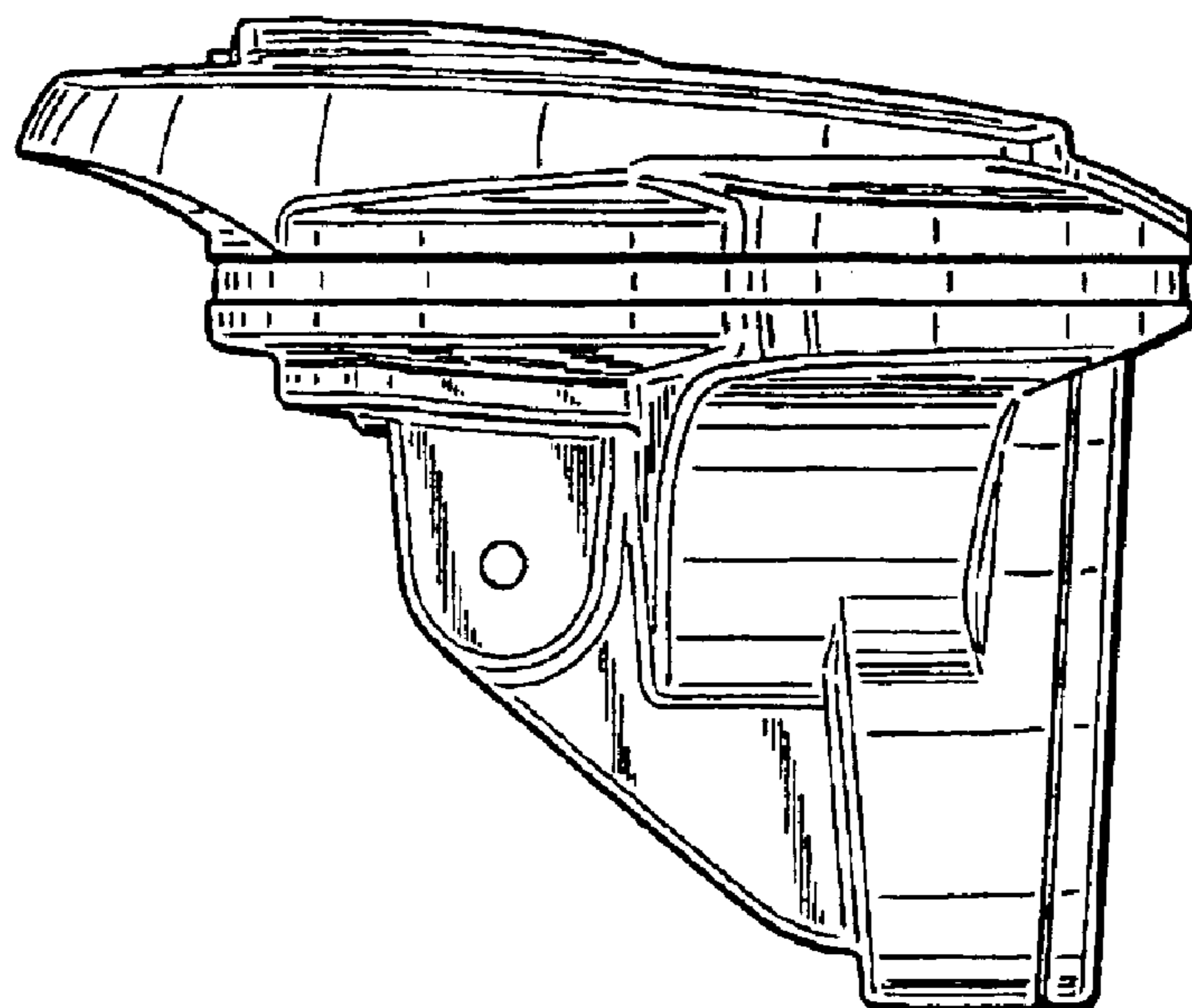


FIG. 8