

US00D504334S

(12) **United States Design Patent**
Tsujimura

(10) **Patent No.:** **US D504,334 S**

(45) **Date of Patent:** **** Apr. 26, 2005**

(54) **METER FOR SHIPS**

D490,727 S * 6/2004 Kido et al. D10/50

(75) **Inventor:** **Hajime Tsujimura, Kyoto-shi (JP)**

* cited by examiner

(73) **Assignee:** **Yamaha Hatsudoki Kabushiki Kaisha (JP)**

Primary Examiner—Antoine D. Davis

(74) *Attorney, Agent, or Firm*—Ostrolenk, Faber, Gerb & Soffen, LLP

(**) **Term:** **14 Years**

(57) **CLAIM**

(21) **Appl. No.:** **29/192,458**

The ornamental design for a meter for ships, as shown.

(22) **Filed:** **Oct. 24, 2003**

DESCRIPTION

(51) **LOC (7) Cl.** **10-04**

FIG. 1 is a front, right side, perspective view of the meter for ships showing my new design;

(52) **U.S. Cl.** **D10/46; D10/75**

FIGS. 2A and 2B are respectively front and rear views thereof;

(58) **Field of Search** D10/46, 47-56,
D10/75, 81, 83, 96-102; 73/431, 866.3,
901; 324/156

FIGS. 3A and 3B are respectively top and bottom views thereof;

(56) **References Cited**

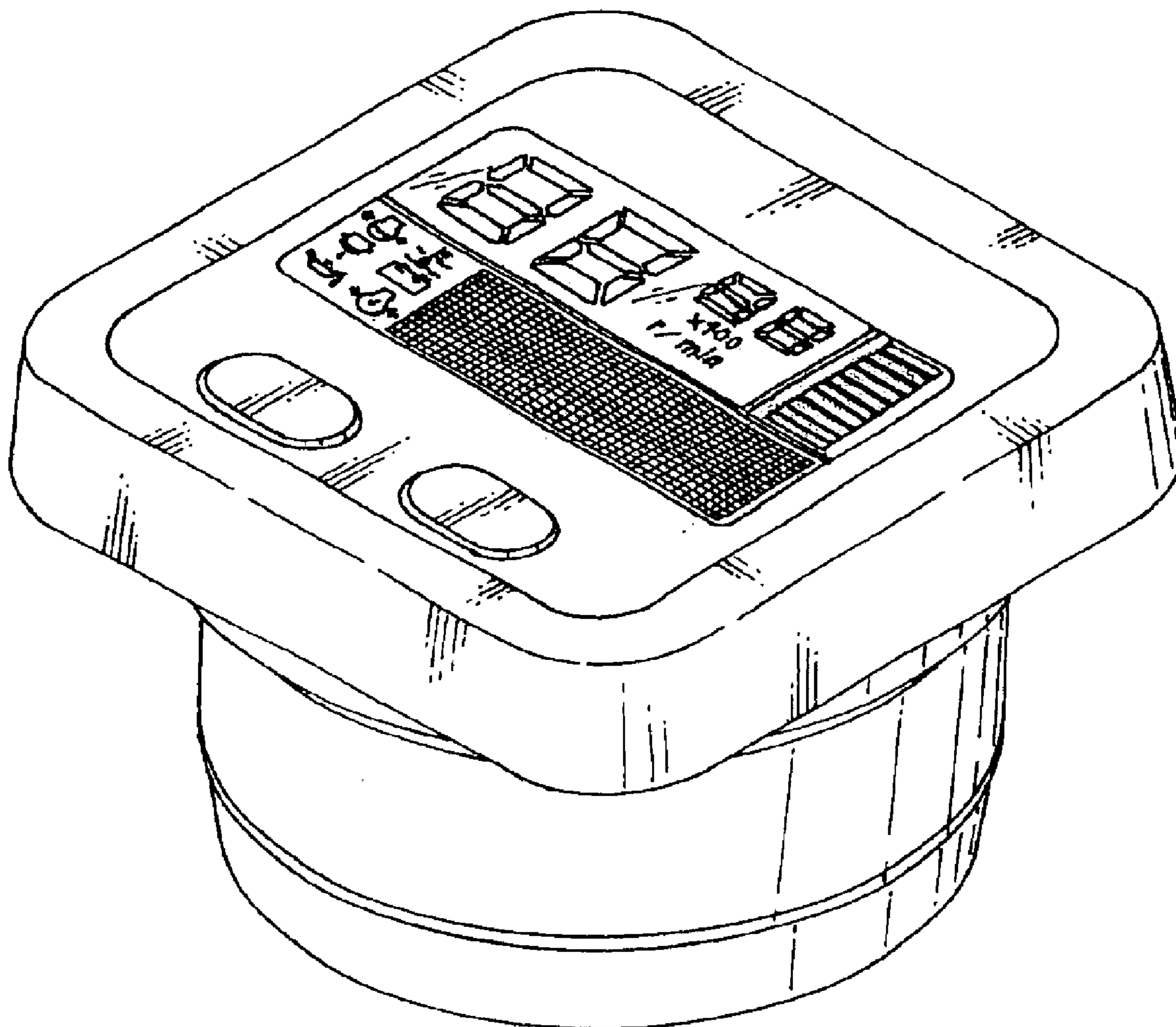
FIGS. 4A and 4B are respectively are right and left side views thereof; and,

U.S. PATENT DOCUMENTS

FIG. 5 is an alternate front view thereof.

D457,453 S * 5/2002 Ogawa D10/97

1 Claim, 5 Drawing Sheets



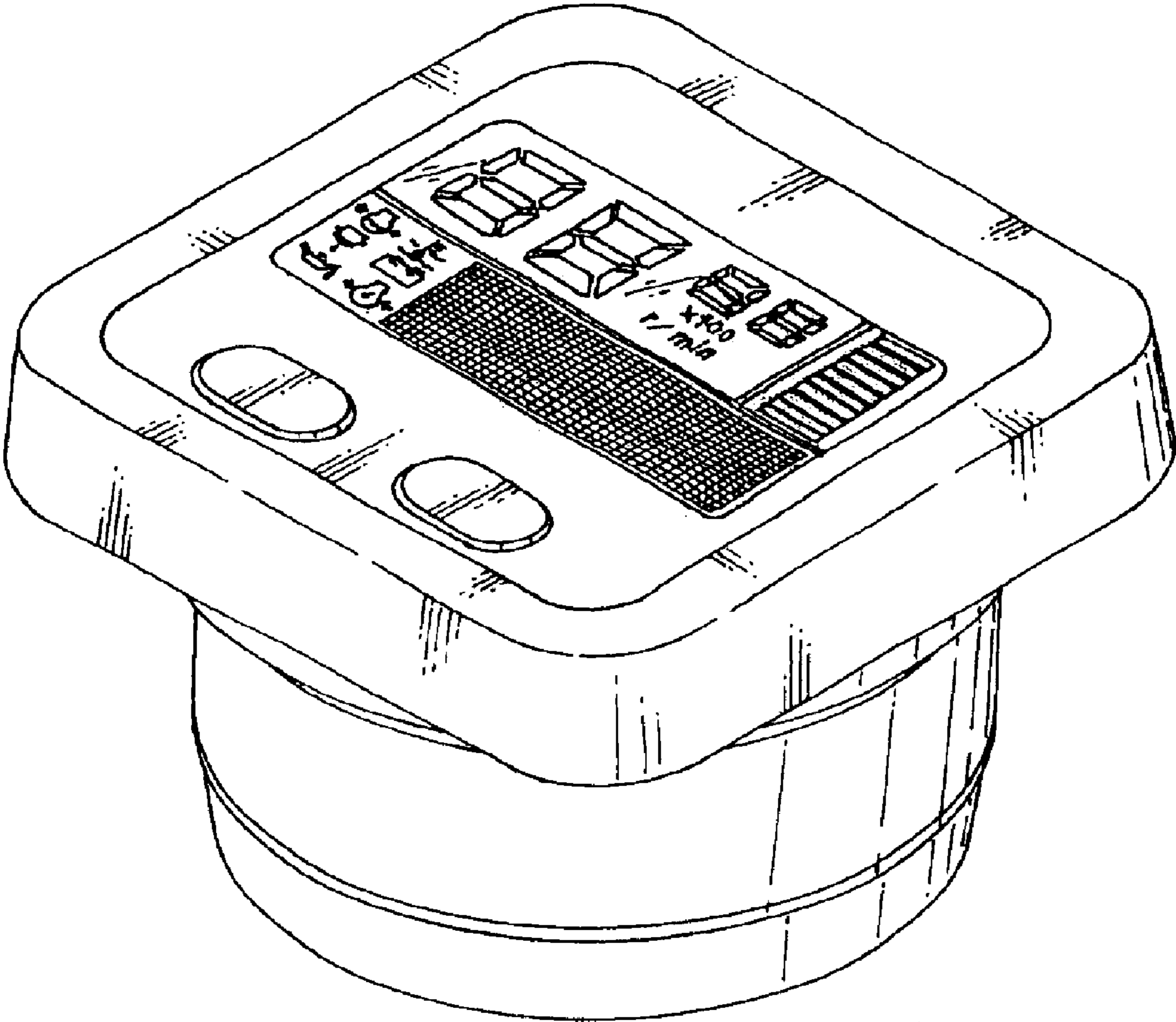


FIG. 1

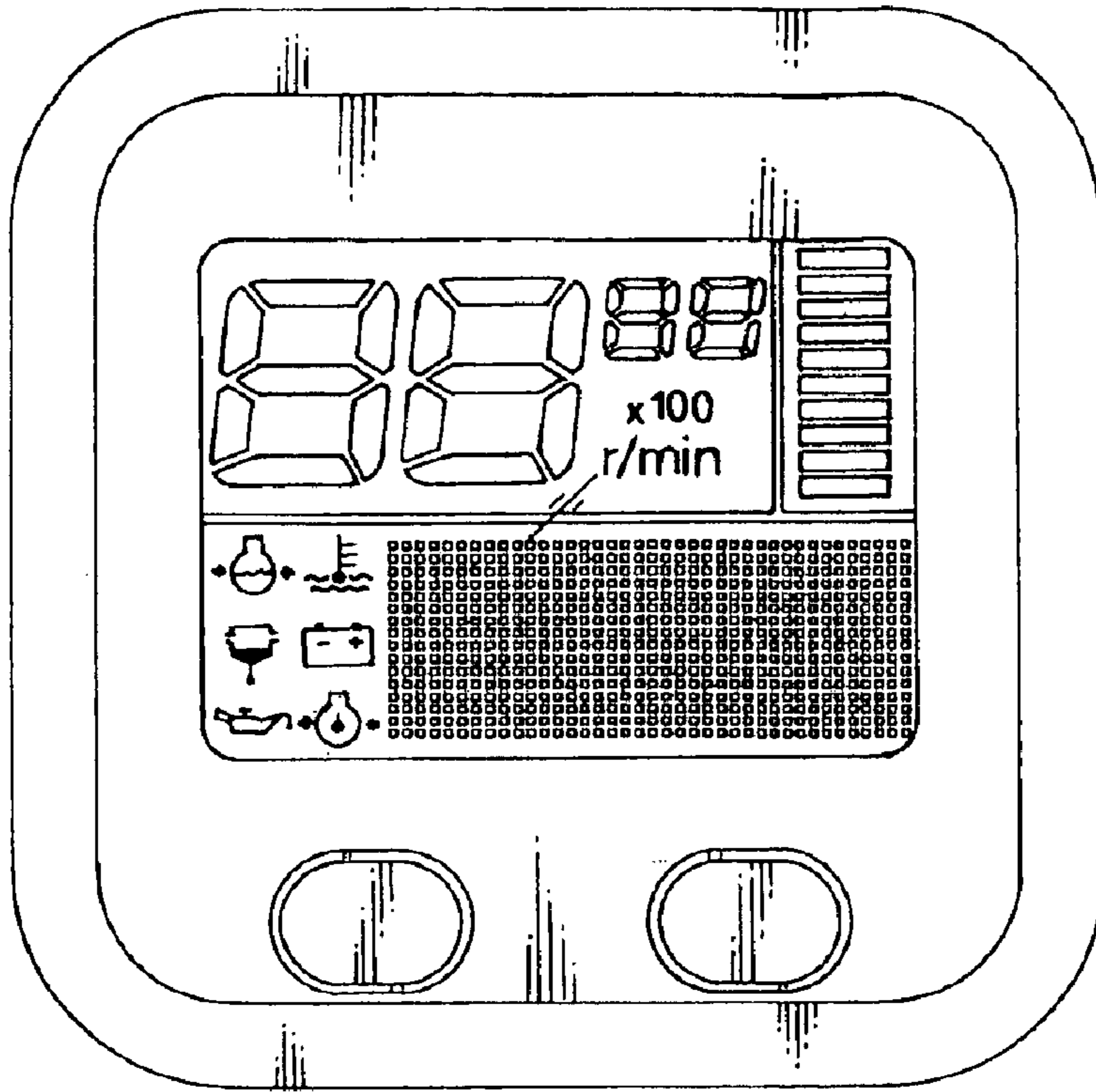


FIG. 2A

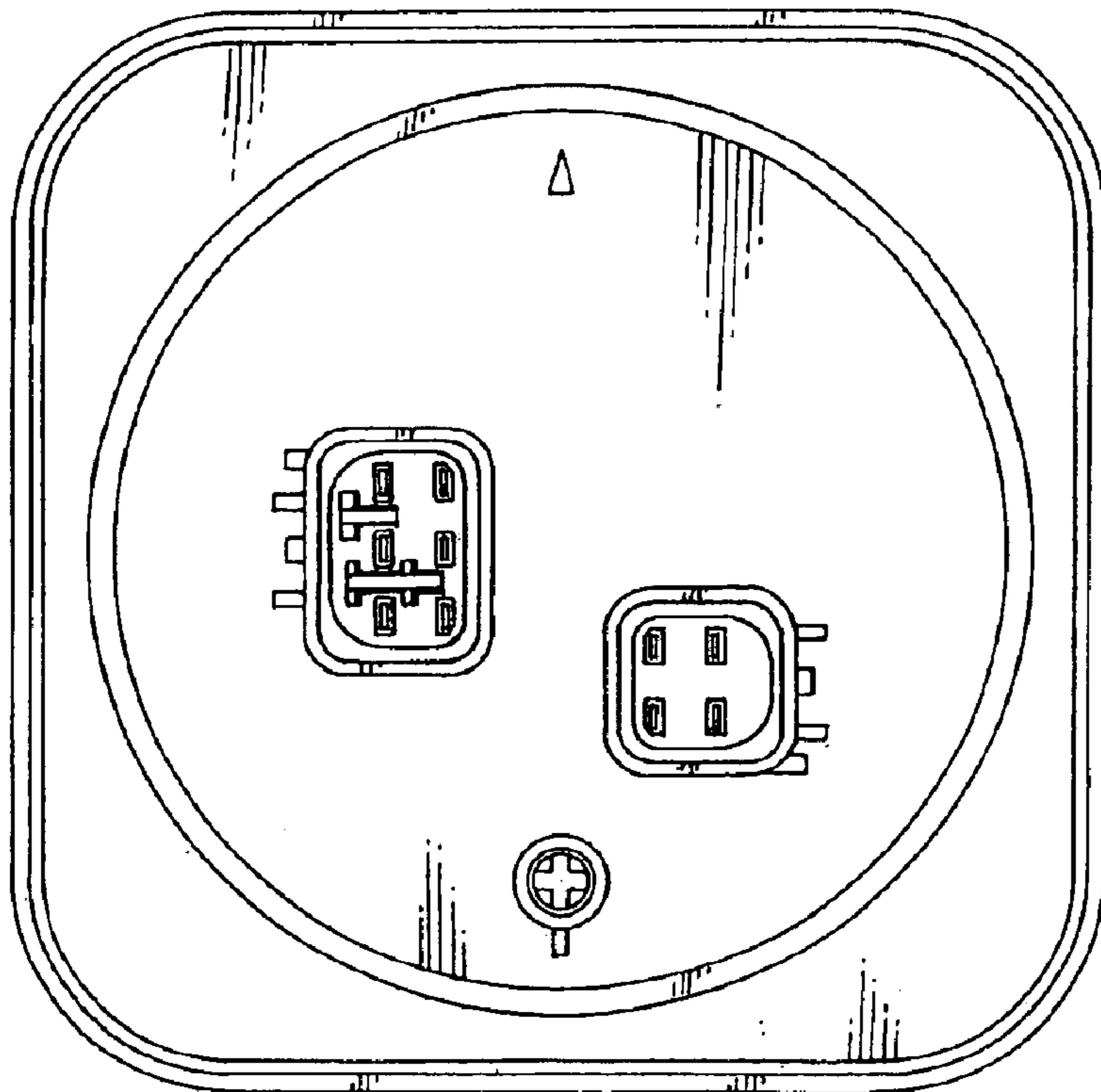


FIG. 2B

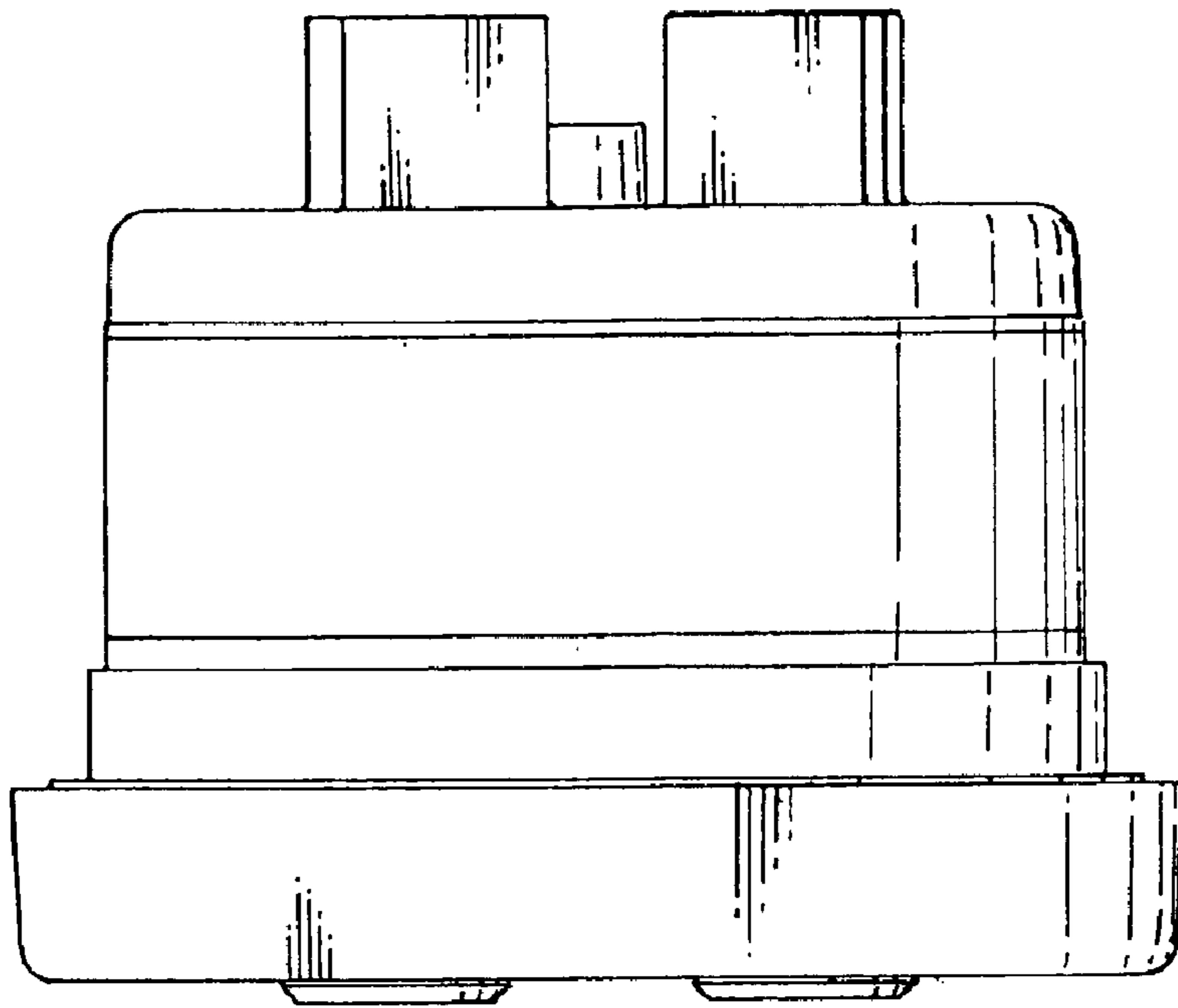


FIG. 3 A

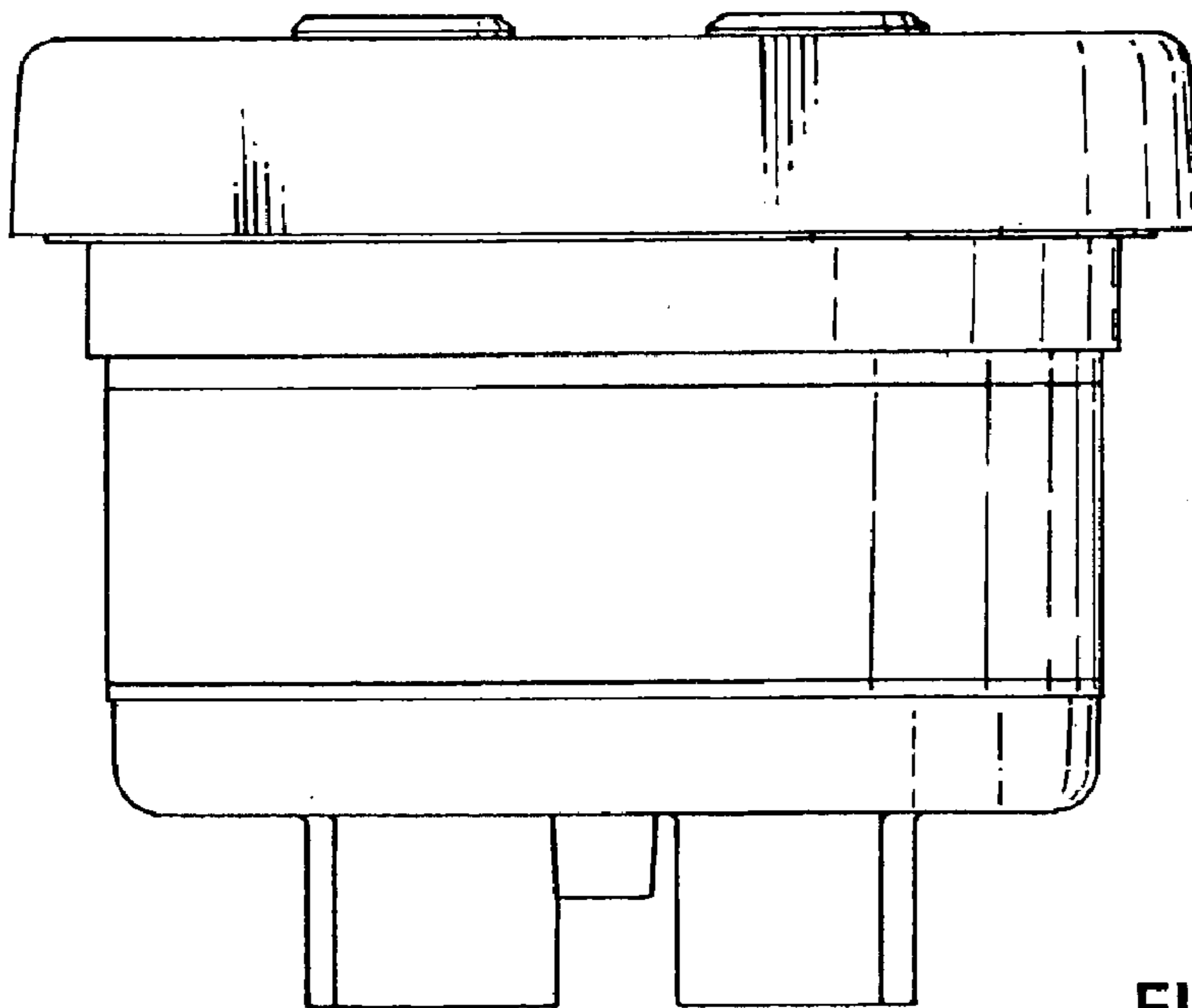


FIG. 3 B

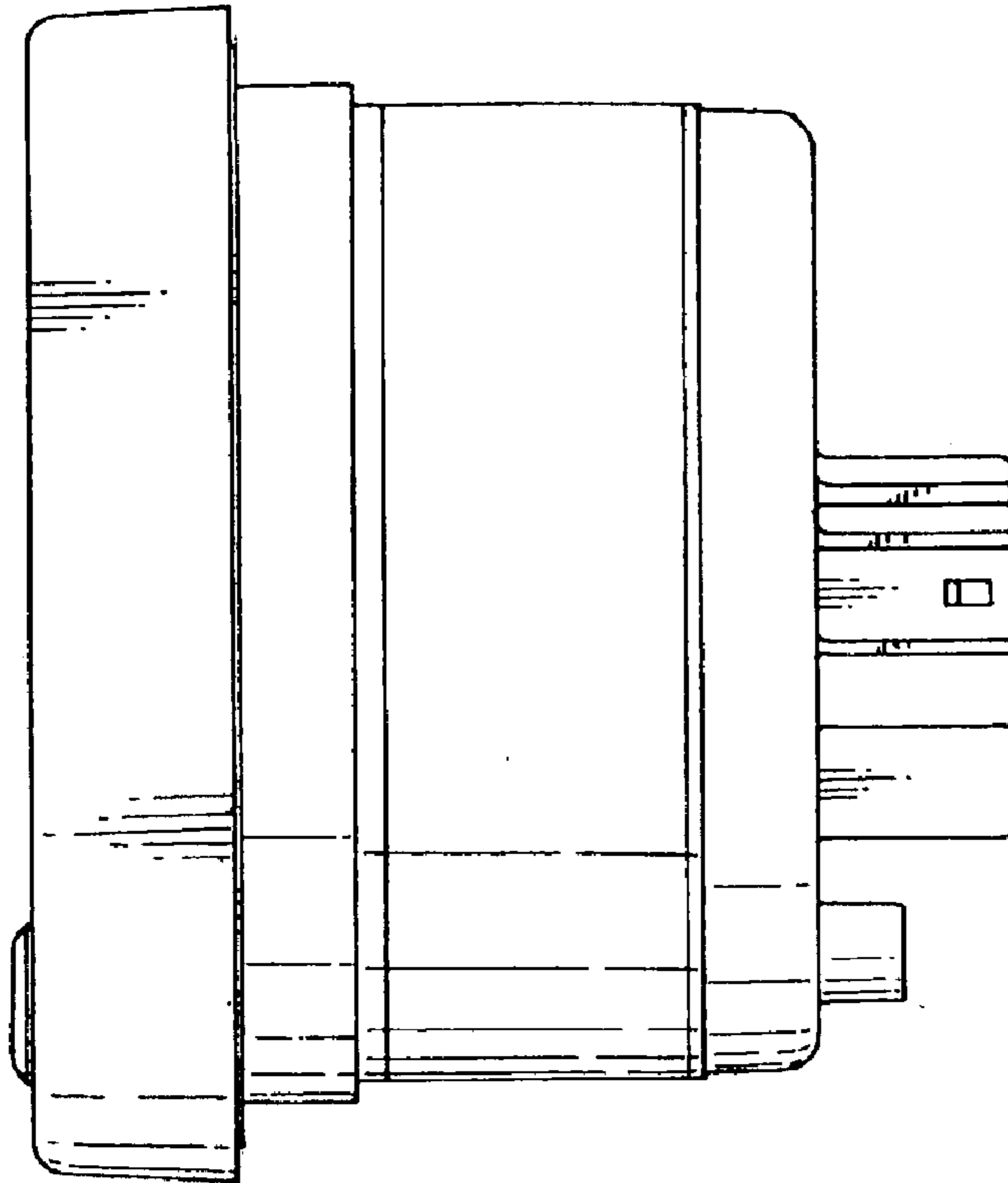


FIG. 4A

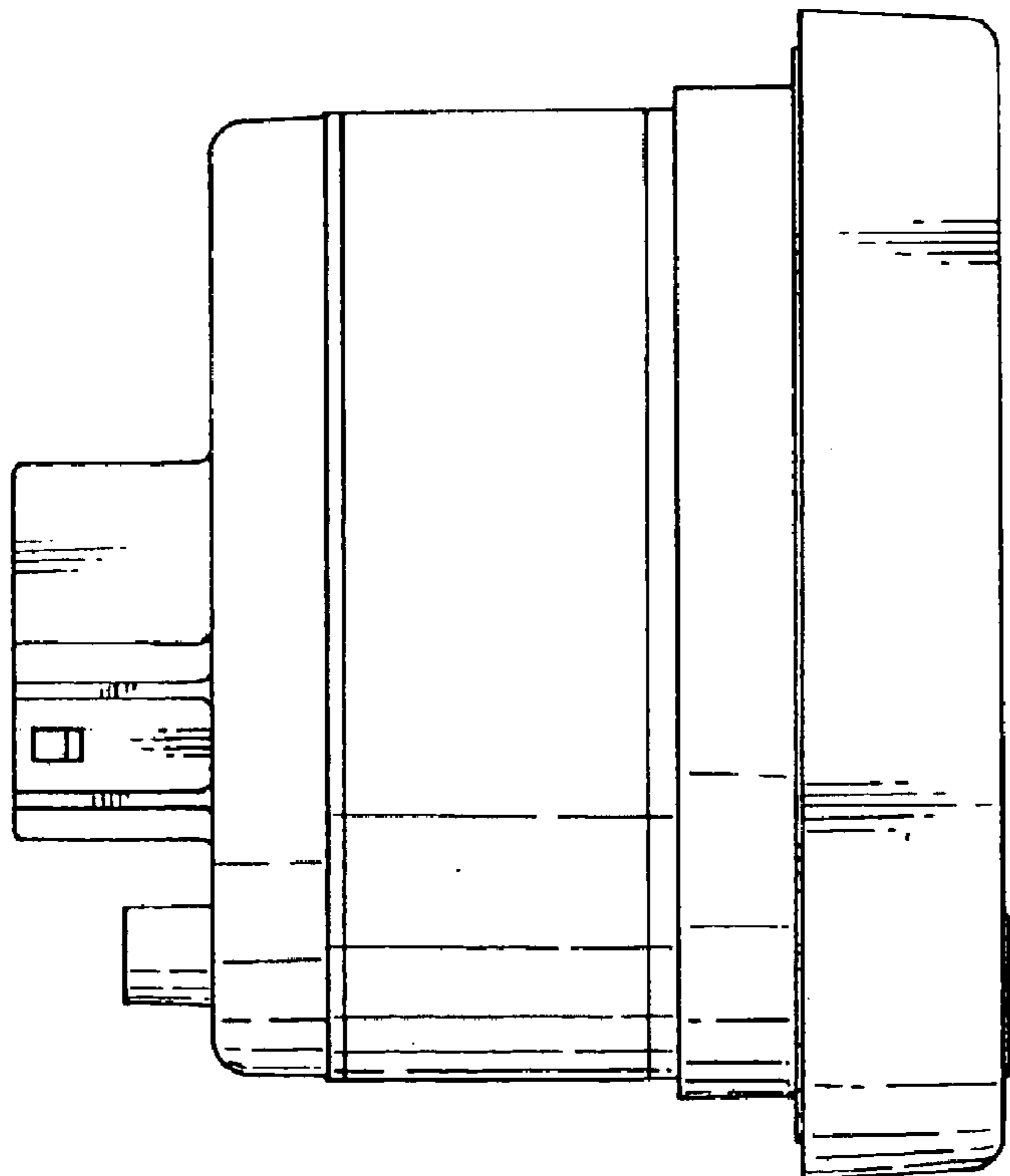


FIG. 4B

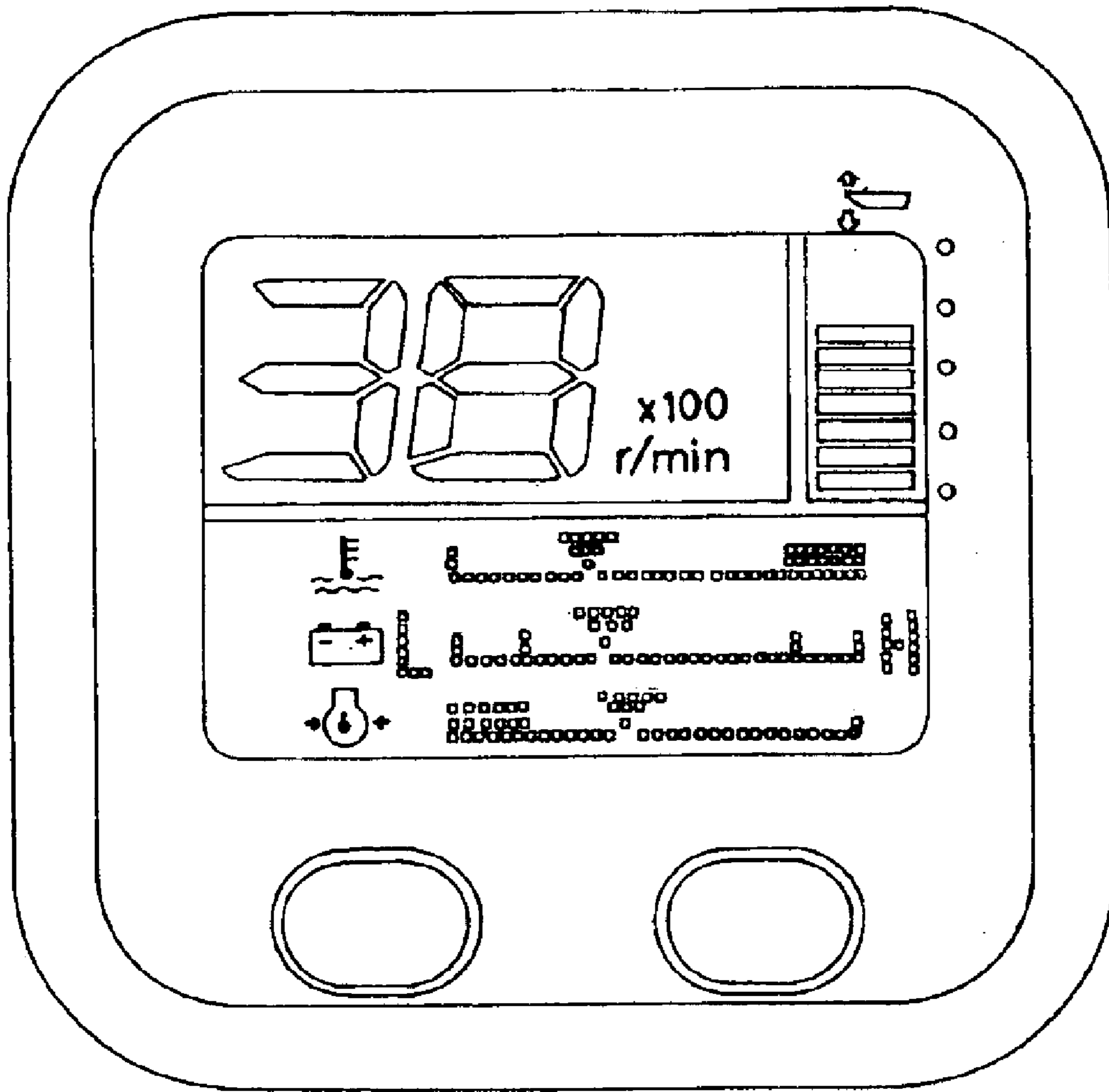


FIG. 5