



US00D504331S

(12) **United States Design Patent**  
**Goto**

(10) **Patent No.:** **US D504,331 S**

(45) **Date of Patent:** **\*\* Apr. 26, 2005**

(54) **WRIST WATCH**

D404,657 S \* 1/1999 Yamamoto ..... D10/30  
D411,956 S \* 7/1999 Sugita et al. .... D10/30  
D417,400 S \* 12/1999 Yamamoto ..... D10/30

(75) **Inventor:** **Atsushi Goto, Kunitachi (JP)**

\* cited by examiner

(73) **Assignee:** **Casio Keisanki Kabushiki Kaisha,**  
**Tokyo (JP)**

*Primary Examiner*—Nelson C. Holtje

(\*\*) **Term:** **14 Years**

(74) *Attorney, Agent, or Firm*—Frishauf, Holtz, Goodman & Chick, P.C.

(21) **Appl. No.:** **29/209,861**

(57) **CLAIM**

(22) **Filed:** **Jul. 21, 2004**

The ornamental design for a wrist watch, as shown and described.

(51) **LOC (7) Cl.** ..... **10-02**

(52) **U.S. Cl.** ..... **D10/38**

(58) **Field of Search** ..... D10/1-40, 122-132;  
368/280-282, 276-277, 28-30, 285, 239-242,  
243-249, 82-84, 41-44

**DESCRIPTION**

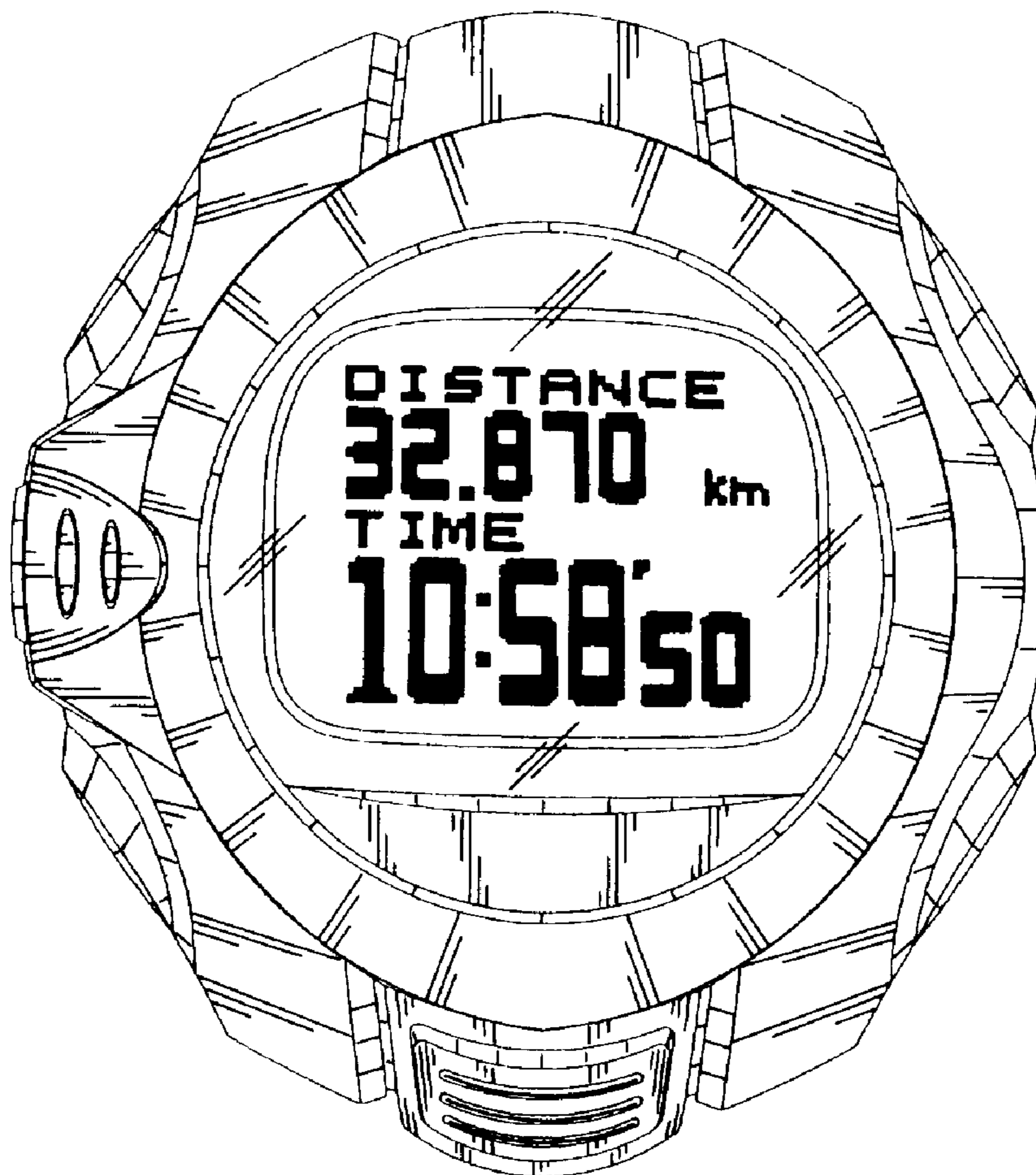
FIG. 1 is a reduced scale front, left side, bottom perspective view of a wrist watch showing my new design;  
FIG. 2 is a front elevational view thereof;  
FIG. 3 is a rear elevational view thereof;  
FIG. 4 is a left side view thereof;  
FIG. 5 is a right side view thereof;  
FIG. 6 is a top plan view thereof; and,  
FIG. 7 is a bottom plan view thereof.

(56) **References Cited**

**U.S. PATENT DOCUMENTS**

D355,377 S \* 2/1995 Morishima ..... D10/38  
D386,694 S \* 11/1997 Houlihan ..... D10/30  
D404,656 S \* 1/1999 Yamamoto ..... D10/30

**1 Claim, 6 Drawing Sheets**



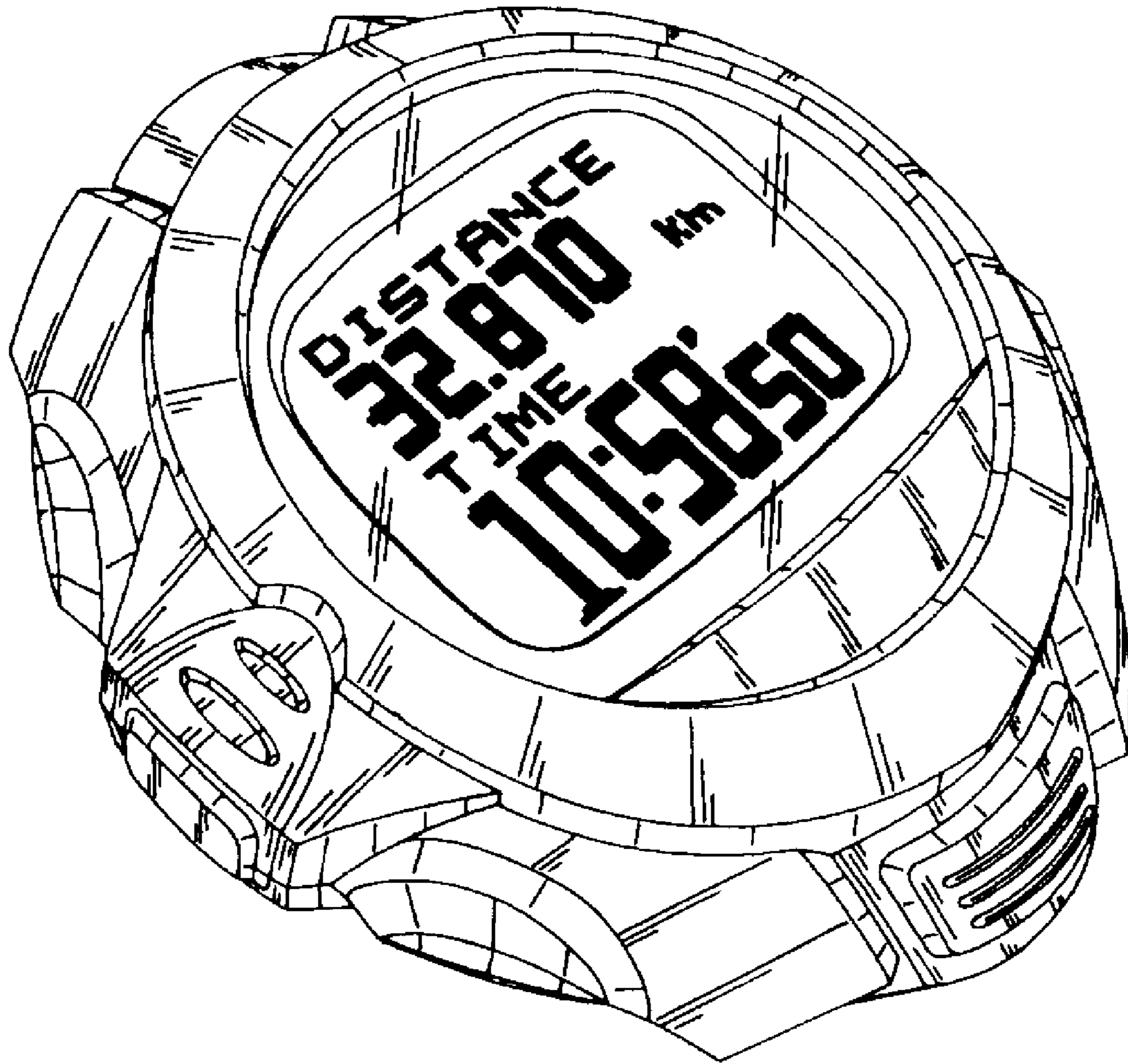


FIG. 1

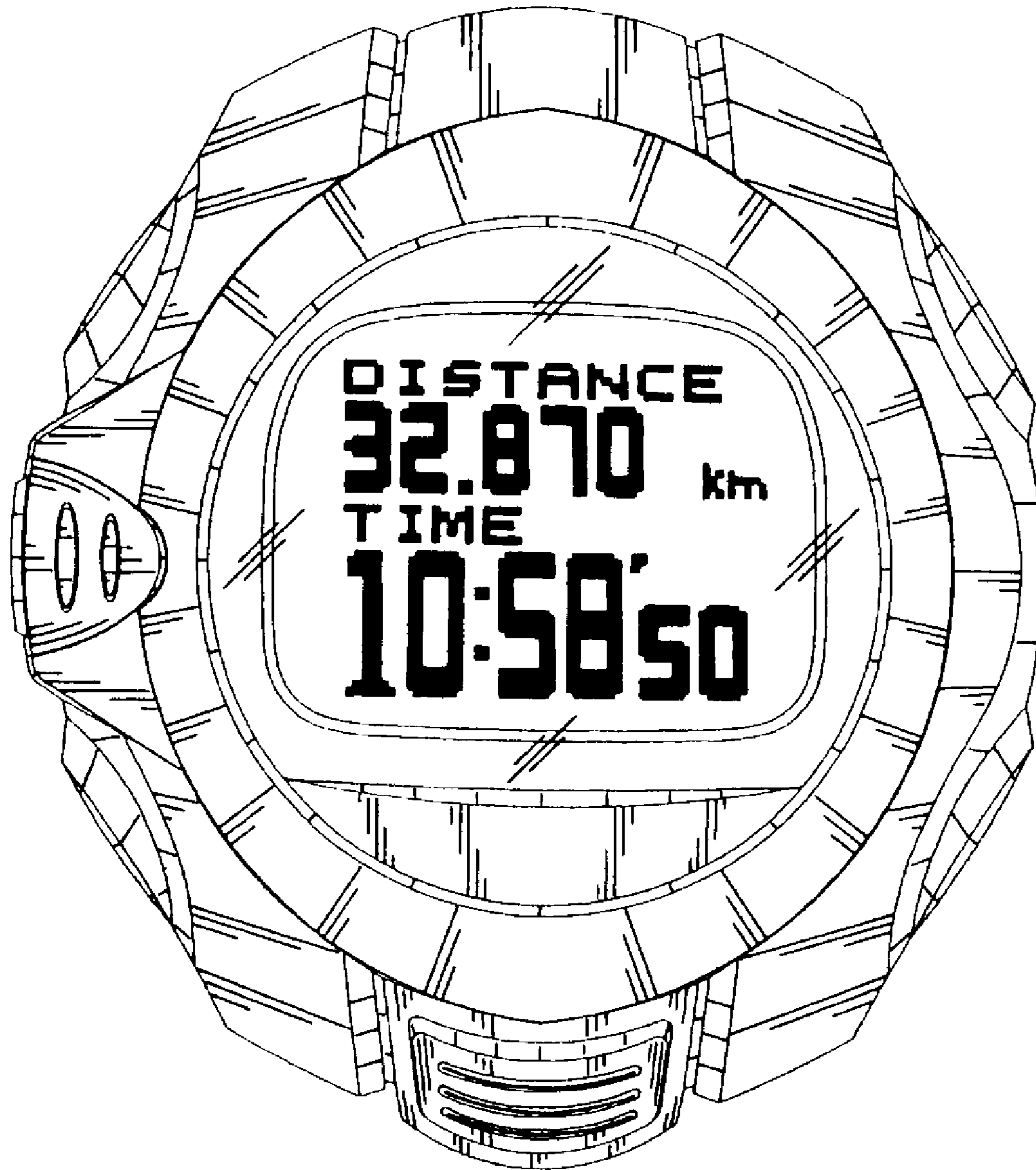


FIG. 2

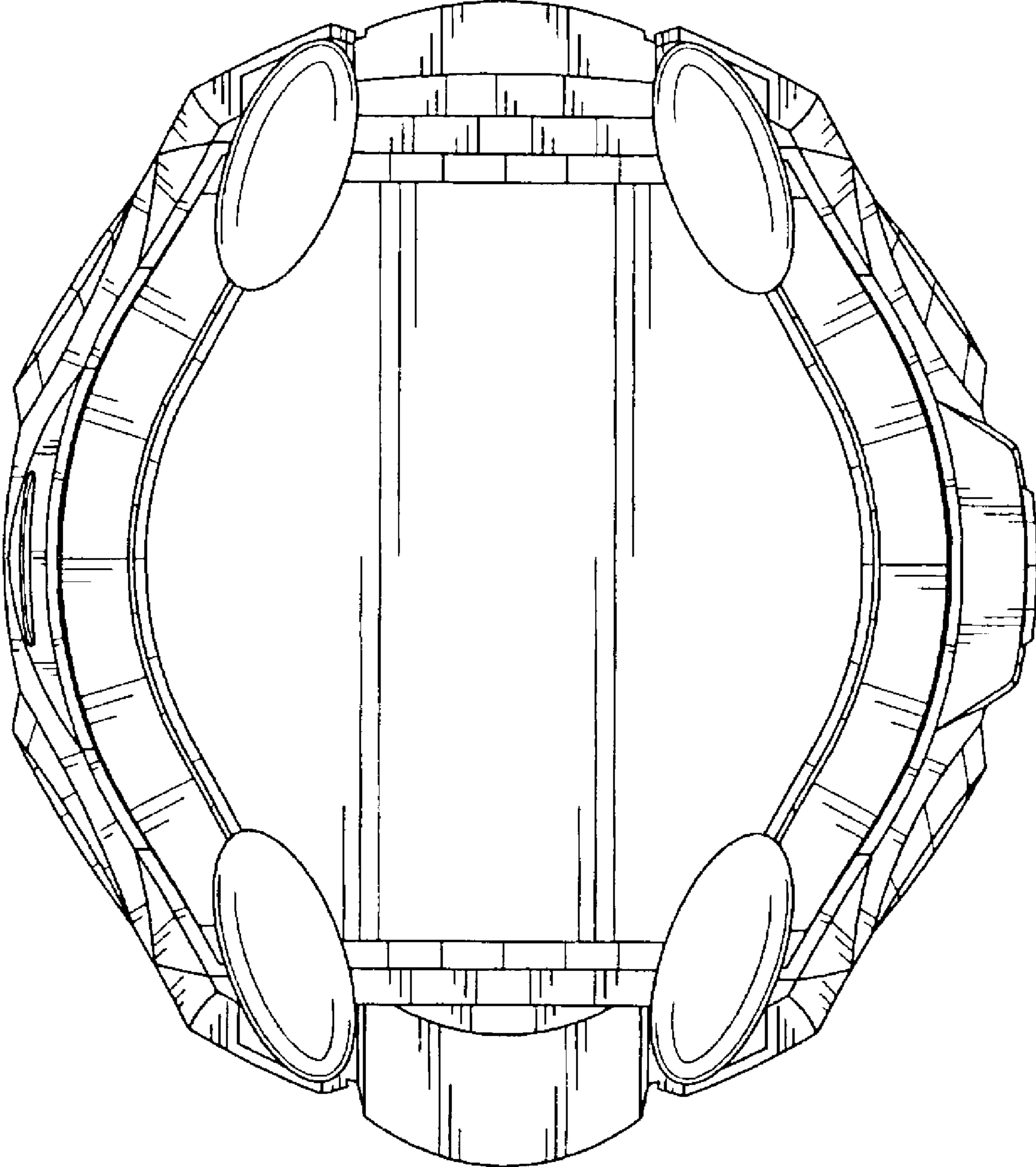


FIG. 3

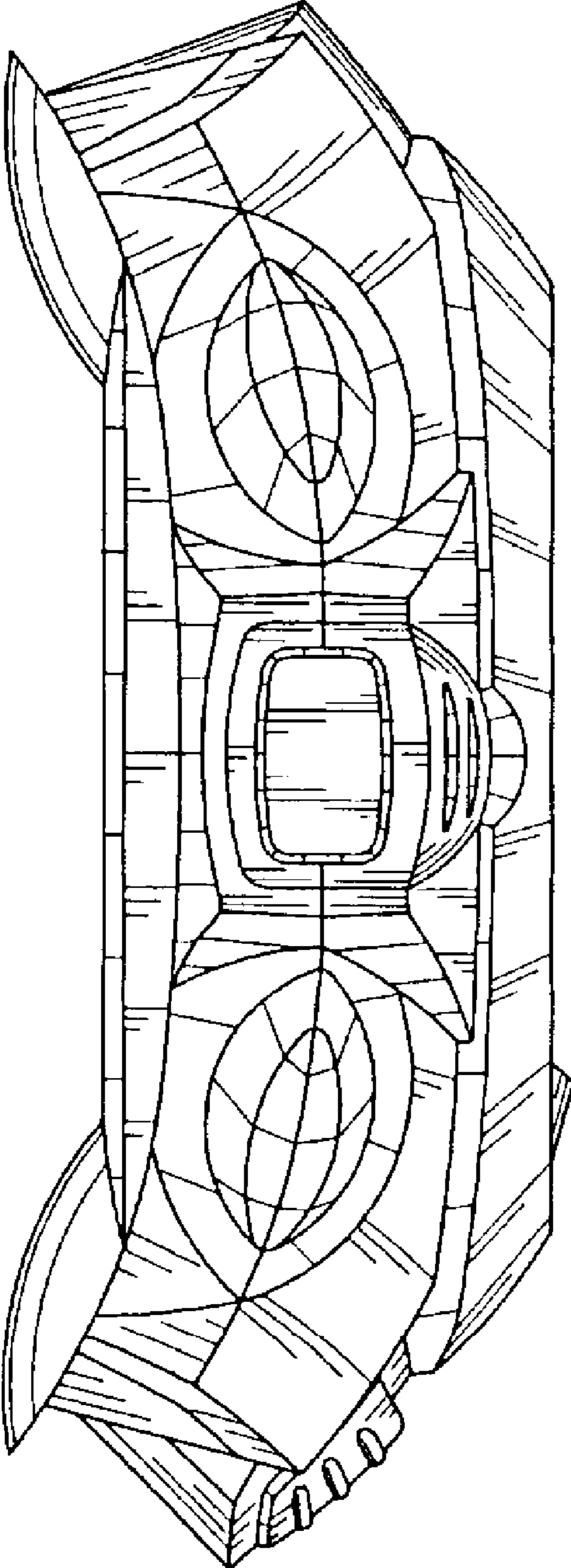


FIG. 4

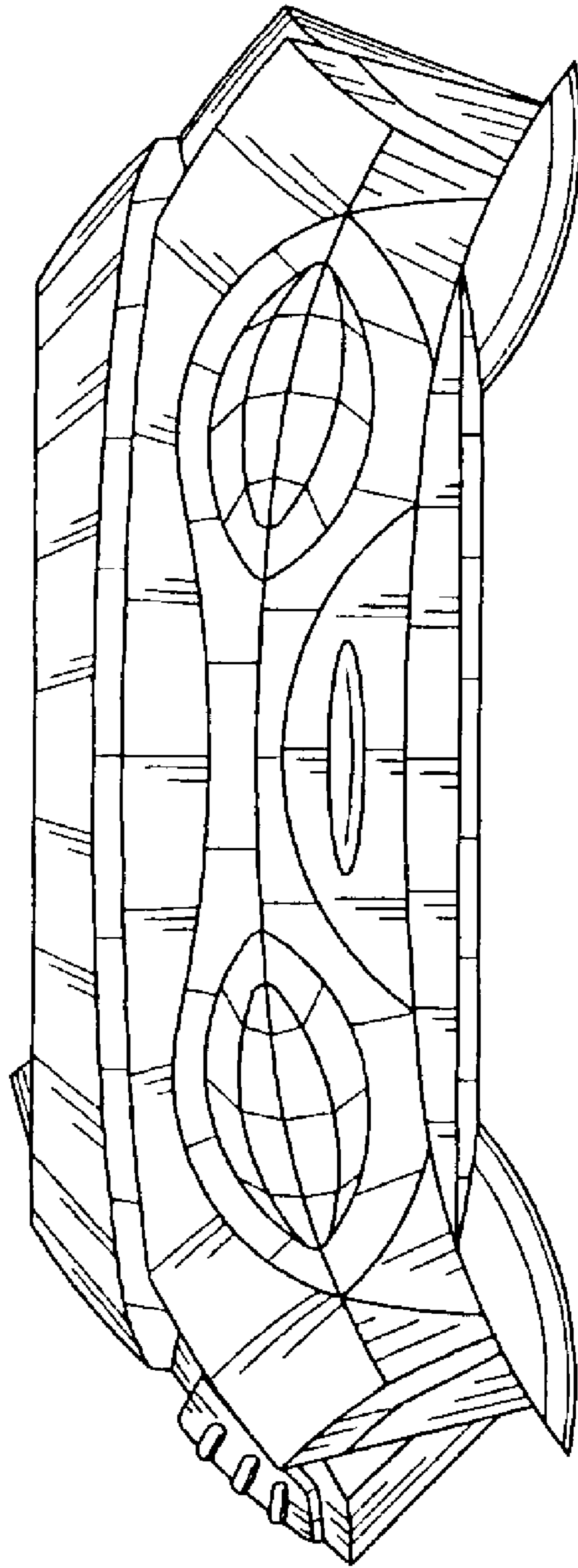


FIG. 5

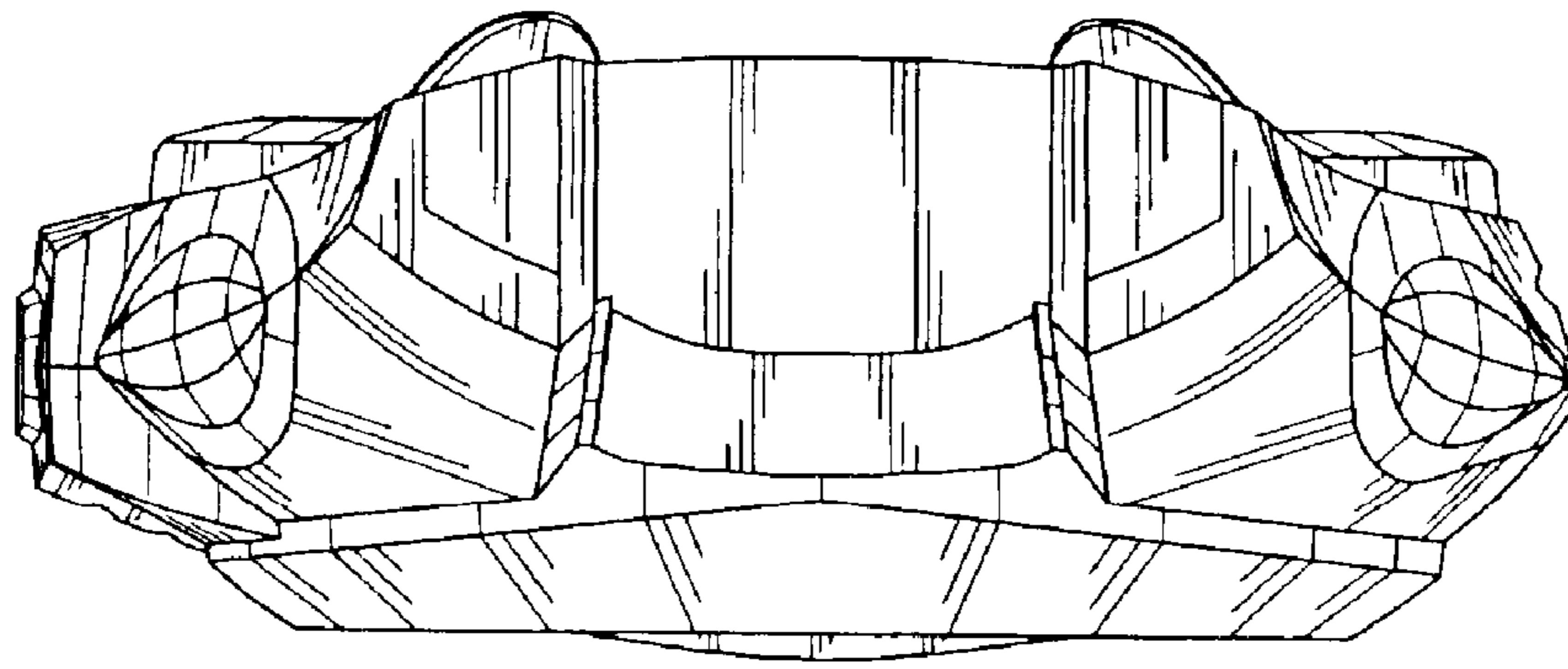


FIG. 6

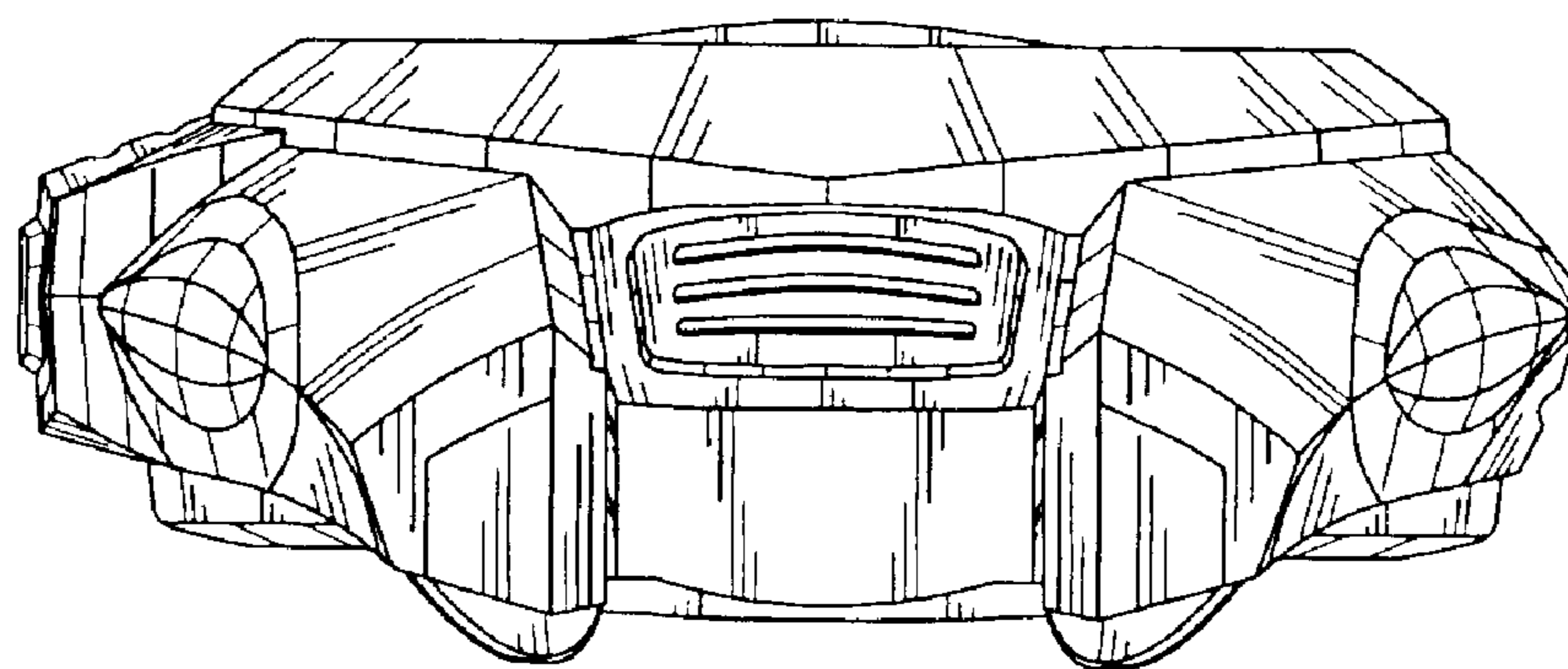


FIG. 7