

US00D504330S

(12) **United States Design Patent**
Dias

(10) **Patent No.: US D504,330 S**

(45) **Date of Patent: ** Apr. 26, 2005**

(54) **WATCH CASE WITH BRACELET**
(76) **Inventor: M. Carlos Dias**, 19, rue du
Grand-Bureau, 1227 Geneva (CH)
(**) **Term: 14 Years**

D422,223 S * 4/2000 Bodino D10/32
D441,306 S * 5/2001 Buccellati D10/32
D446,131 S * 8/2001 Monachon D10/39
D451,826 S * 12/2001 Giardiello D10/32
D455,357 S * 4/2002 Ikegami et al. D10/32
D462,278 S * 9/2002 Wunderman D10/32

* cited by examiner

(21) **Appl. No.: 29/209,904**

Primary Examiner—Nelson C. Holtje

(22) **Filed: Jul. 23, 2004**

(74) *Attorney, Agent, or Firm*—Sturm & Fix LLP

(30) **Foreign Application Priority Data**

Feb. 26, 2004 (WO) DMA/006240

(57) **CLAIM**

(51) **LOC (7) Cl. 10-02**

The ornamental design for a watch case with bracelet, as shown and described.

(52) **U.S. Cl. D10/32**

DESCRIPTION

(58) **Field of Search** D10/1-39, 122-132;
368/276-277, 281-282, 285, 293-295;
D11/3-25; 63/1.1, 3, 5, 11; 224/164, 168,
178

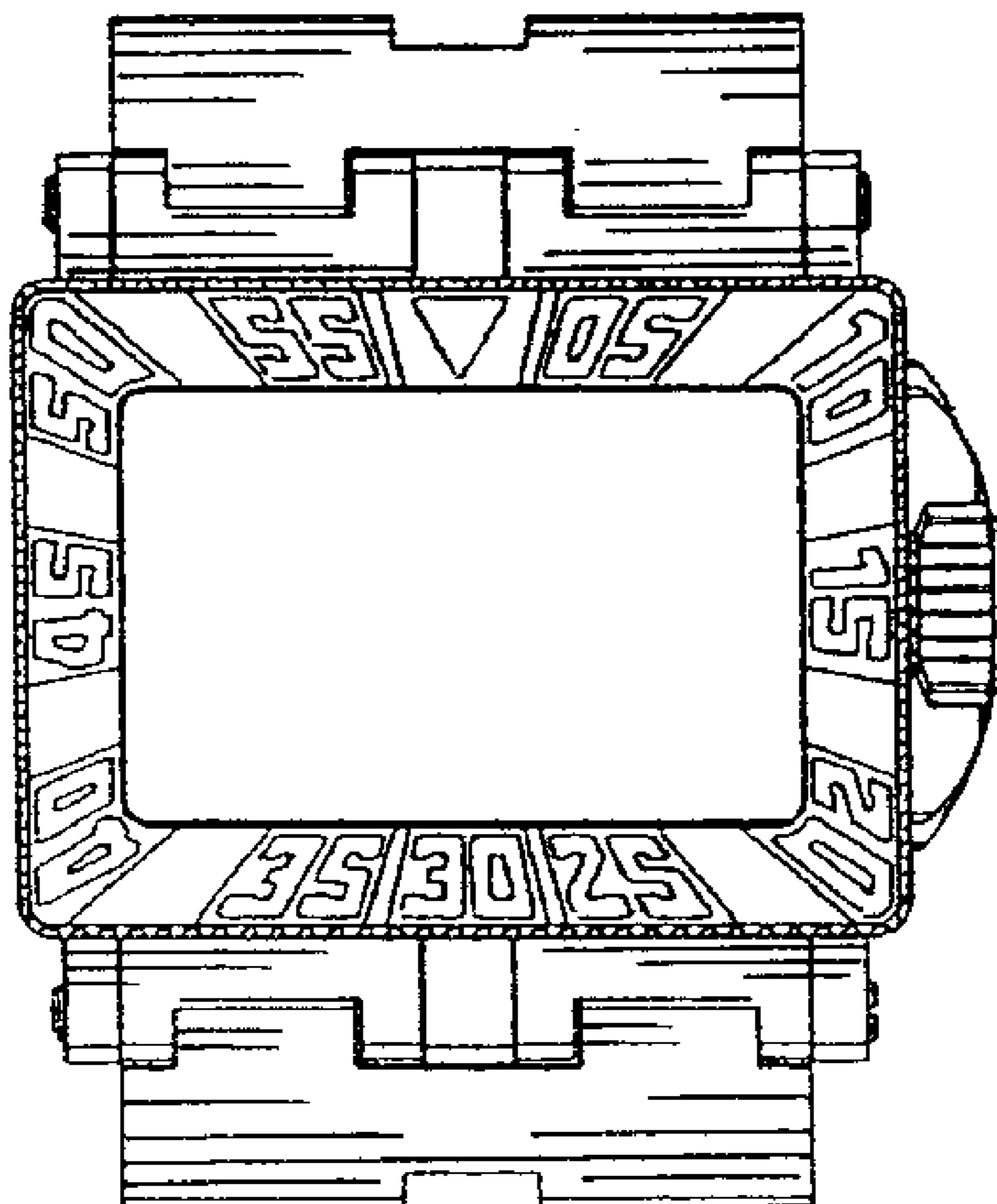
FIG. 1 is a front elevational view of a watch case with bracelet showing my new design;
FIG. 2 is a right side elevational view thereof;
FIG. 3 is a rear elevational view;
FIG. 4 is a left side elevational view thereof;
FIG. 5 is a top plan view thereof;
FIG. 6 is a bottom plan view thereof; and,
FIG. 7 is an upper left hand perspective view thereof.

(56) **References Cited**

U.S. PATENT DOCUMENTS

D379,768 S * 6/1997 Osit D10/30
D380,698 S * 7/1997 Paredes D10/128
D410,581 S * 6/1999 Tanaka D10/30
D421,919 S * 3/2000 Bodino D10/32

1 Claim, 1 Drawing Sheet



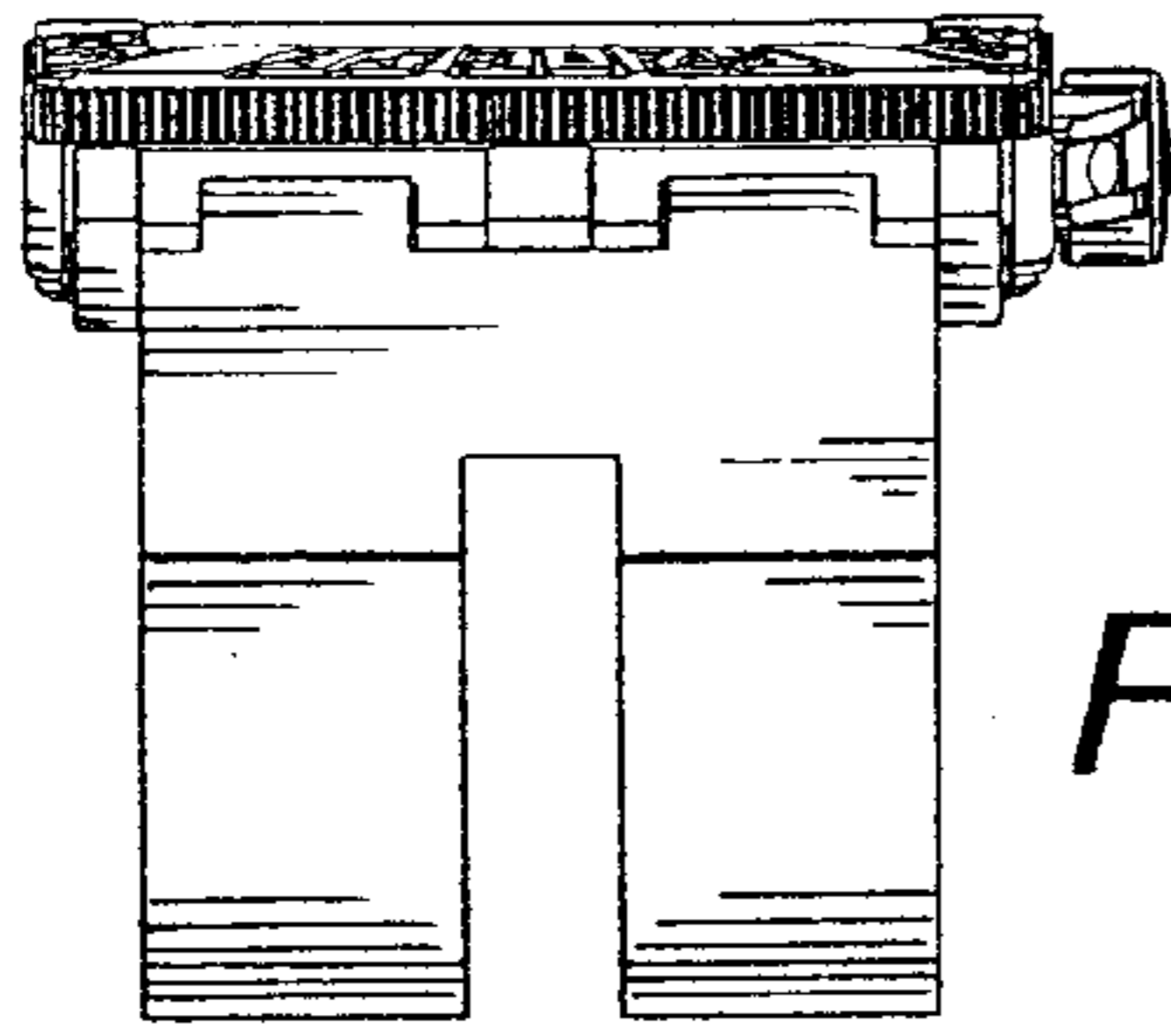


Fig. 1

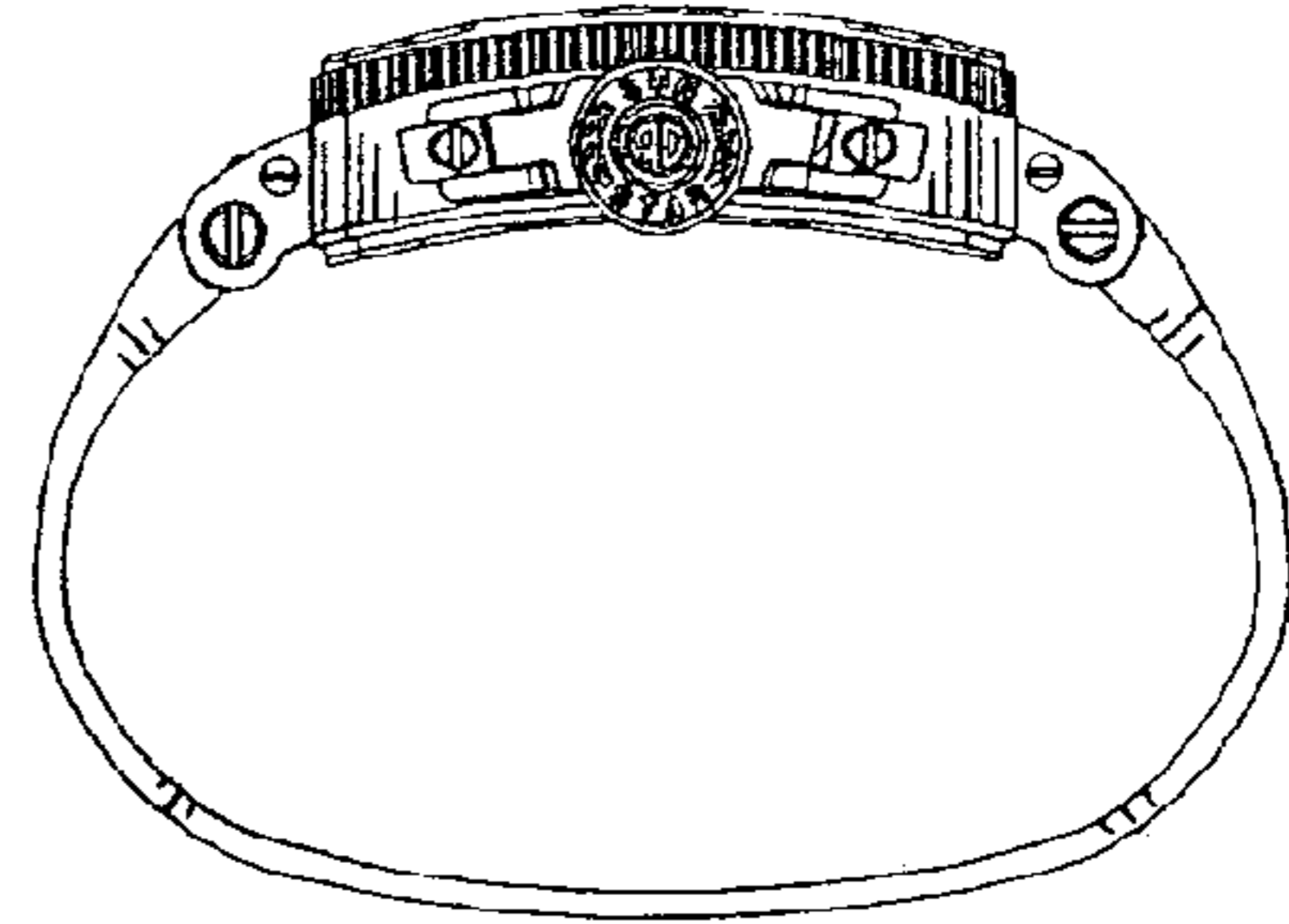


Fig. 2

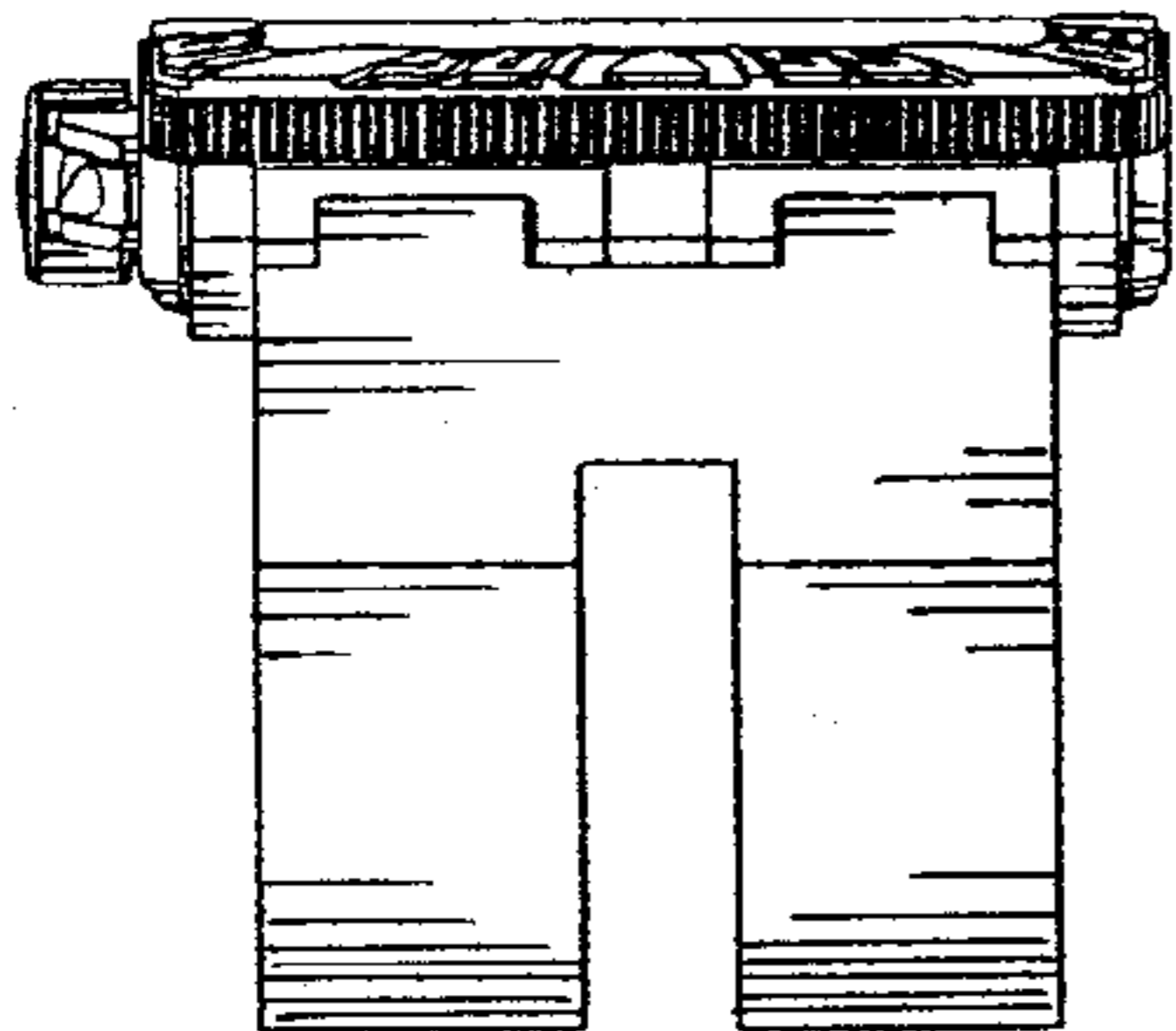


Fig. 3

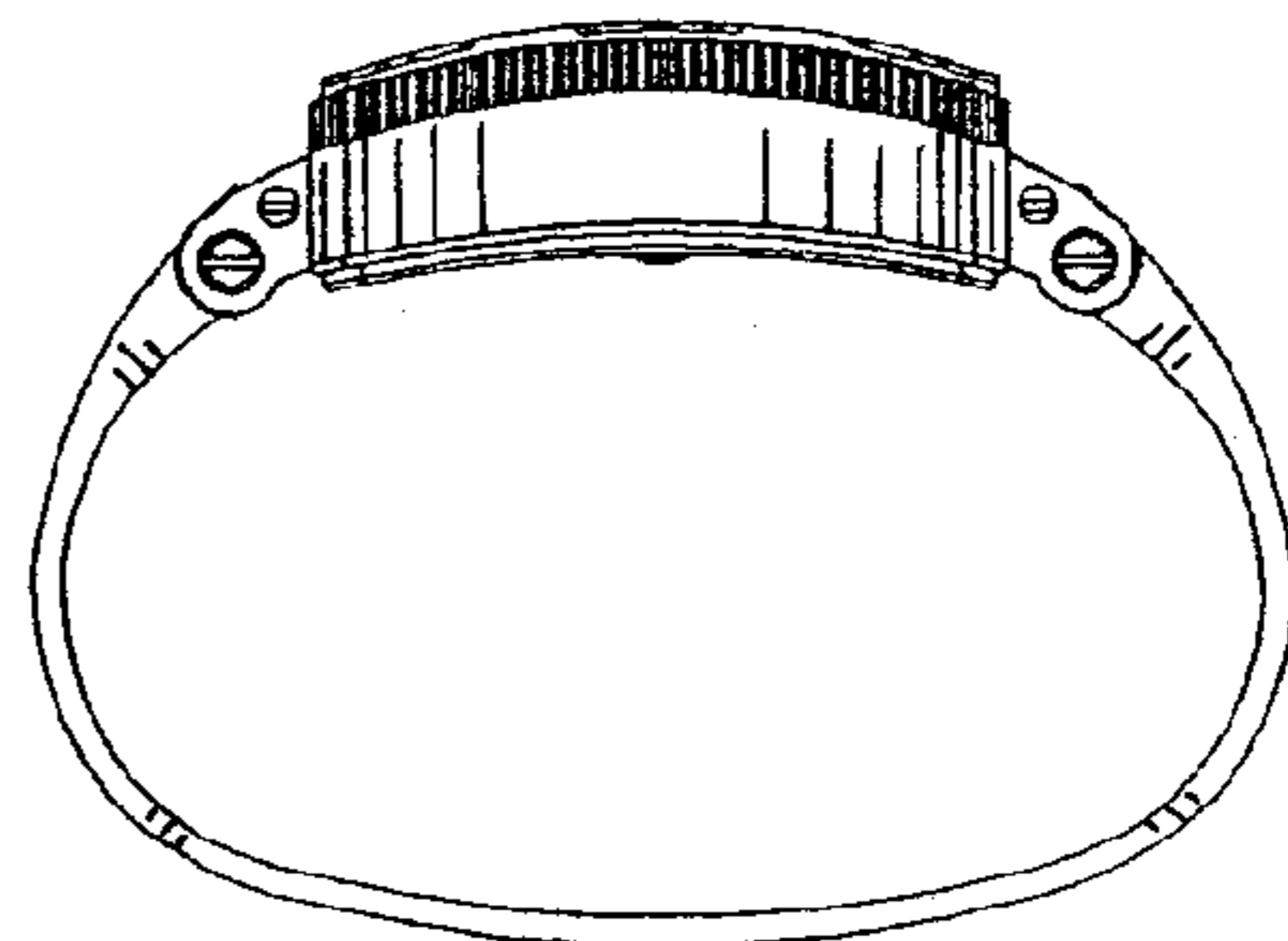


Fig. 4

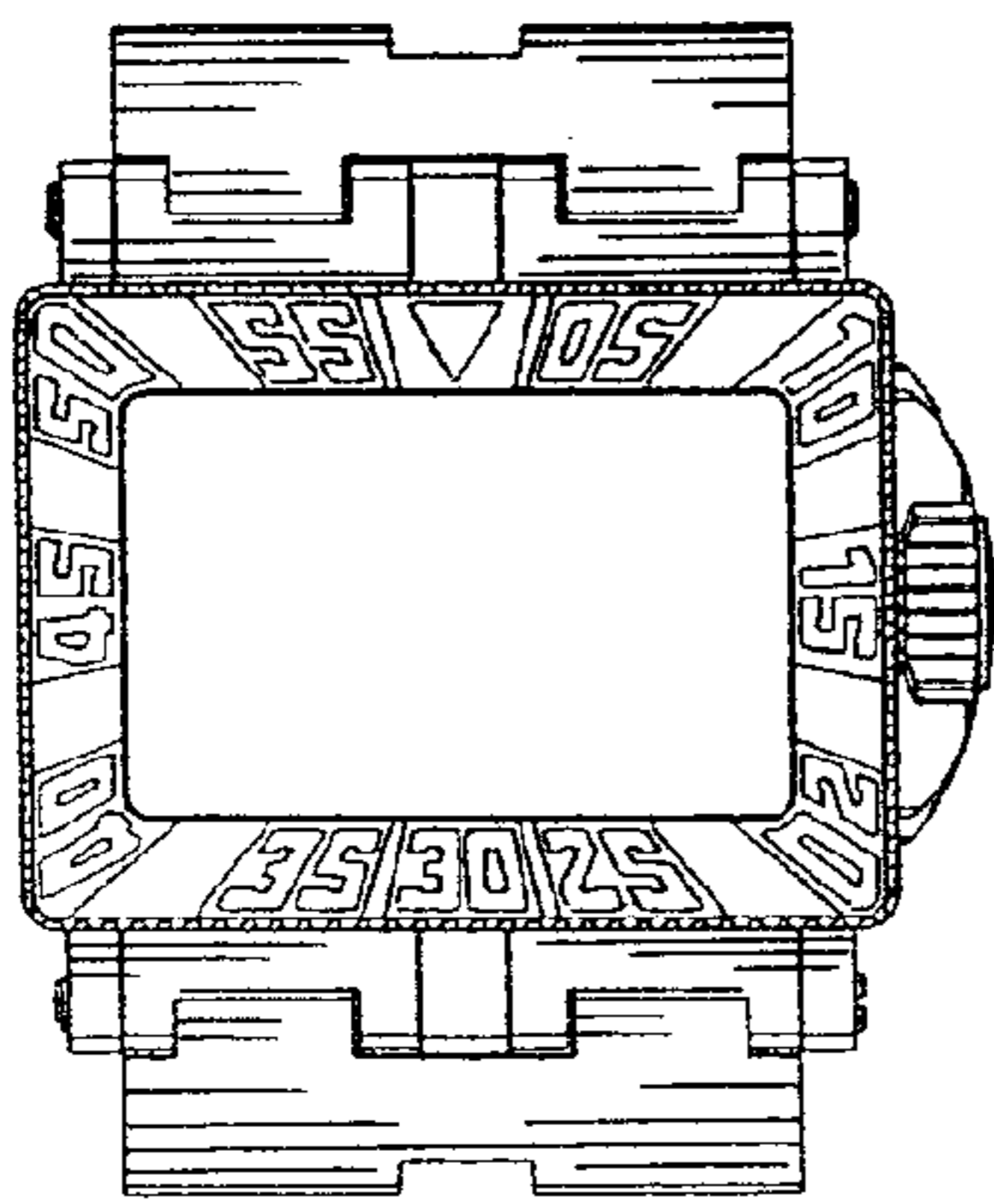


Fig. 5

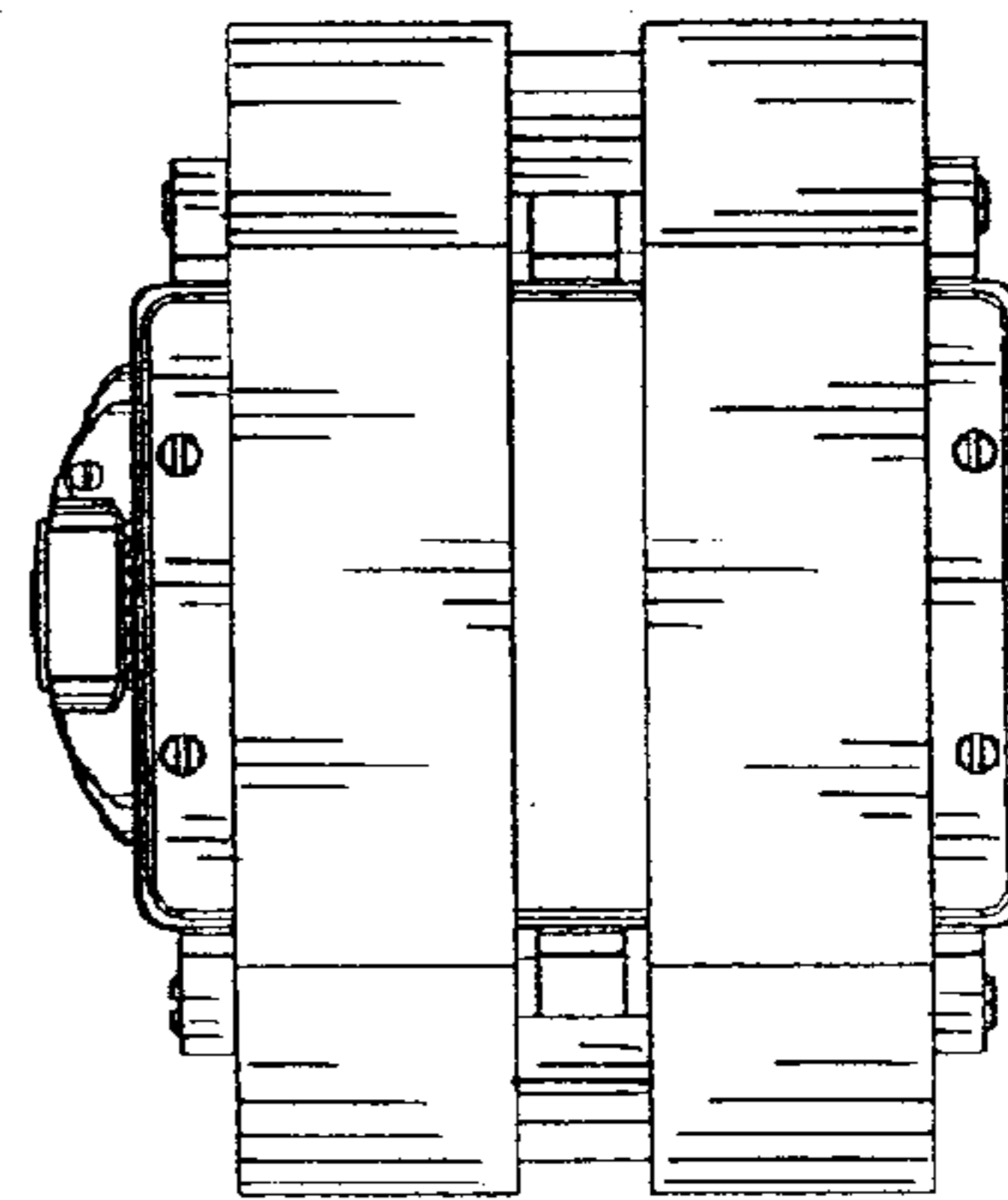


Fig. 6

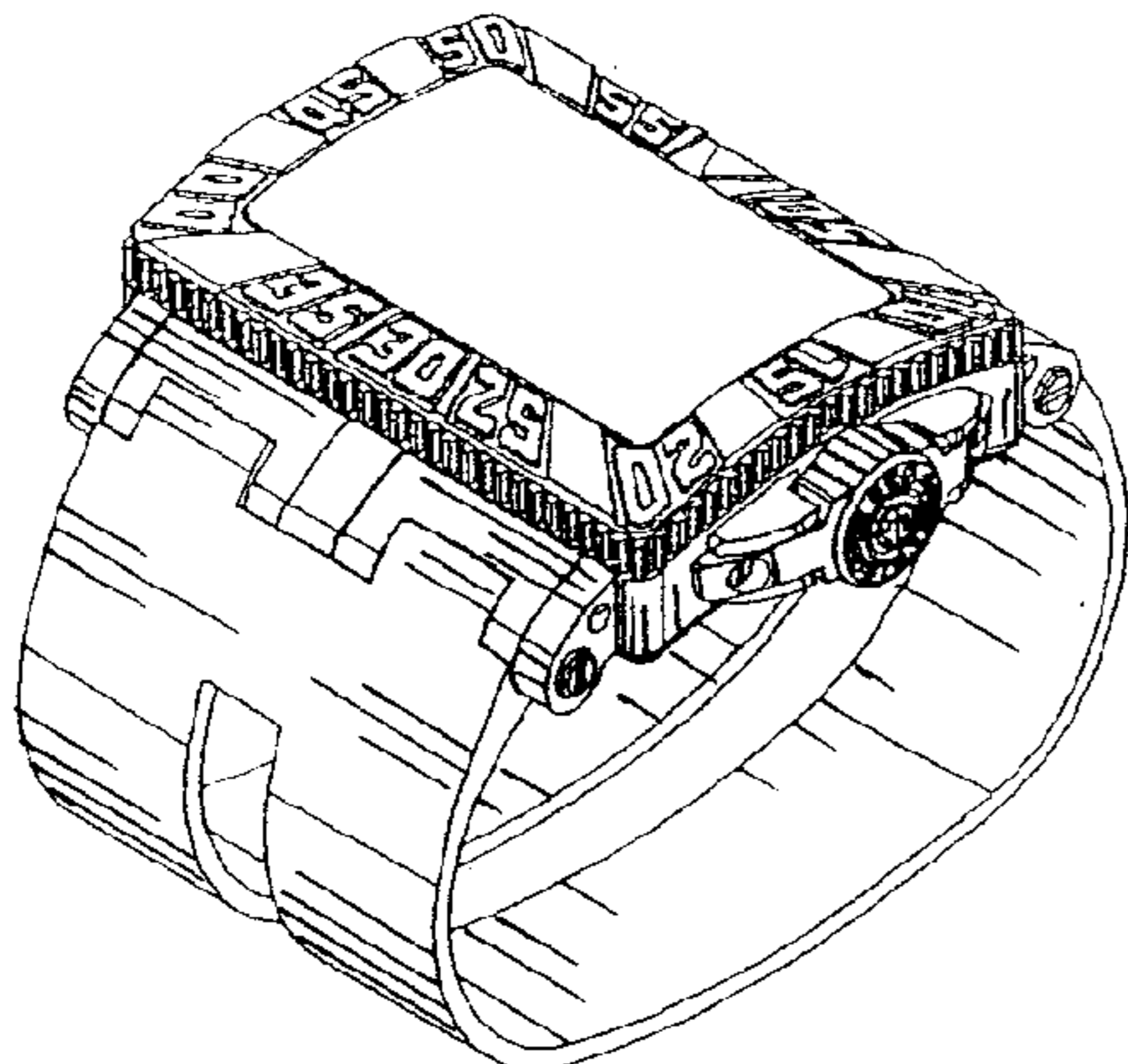


Fig. 7