



US00D504328S

(12) **United States Design Patent**
Syoubayashi

(10) **Patent No.:** **US D504,328 S**

(45) **Date of Patent:** **** Apr. 26, 2005**

(54) **WATCH CASE**

(75) **Inventor:** **Seiji Syoubayashi, Tachikawa (JP)**

(73) **Assignee:** **Casio Keisanki Kabushiki Kaisha, Tokyo (JP)**

(**) **Term:** **14 Years**

(21) **Appl. No.:** **29/205,813**

(22) **Filed:** **May 19, 2004**

(51) **LOC (7) Cl.** **10-02**

(52) **U.S. Cl.** **D10/30; D10/31**

(58) **Field of Search** **D10/30-39; 368/280-282, 368/276-277, 285, 293-294**

(56) **References Cited**

U.S. PATENT DOCUMENTS

- D323,622 S * 2/1992 Morishima D10/31
- D387,683 S * 12/1997 Yamamoto D10/38
- D396,419 S * 7/1998 Sugita et al. D10/31
- D417,159 S * 11/1999 Sugisawa D10/30

- D421,227 S * 2/2000 Hiramatsu D10/31
- D421,396 S * 3/2000 Nakai D10/31
- D461,722 S * 8/2002 Kojima D10/30

* cited by examiner

Primary Examiner—Nelson C. Holtje

(74) *Attorney, Agent, or Firm*—Frishauf, Holtz, Goodman & Chick, P.C.

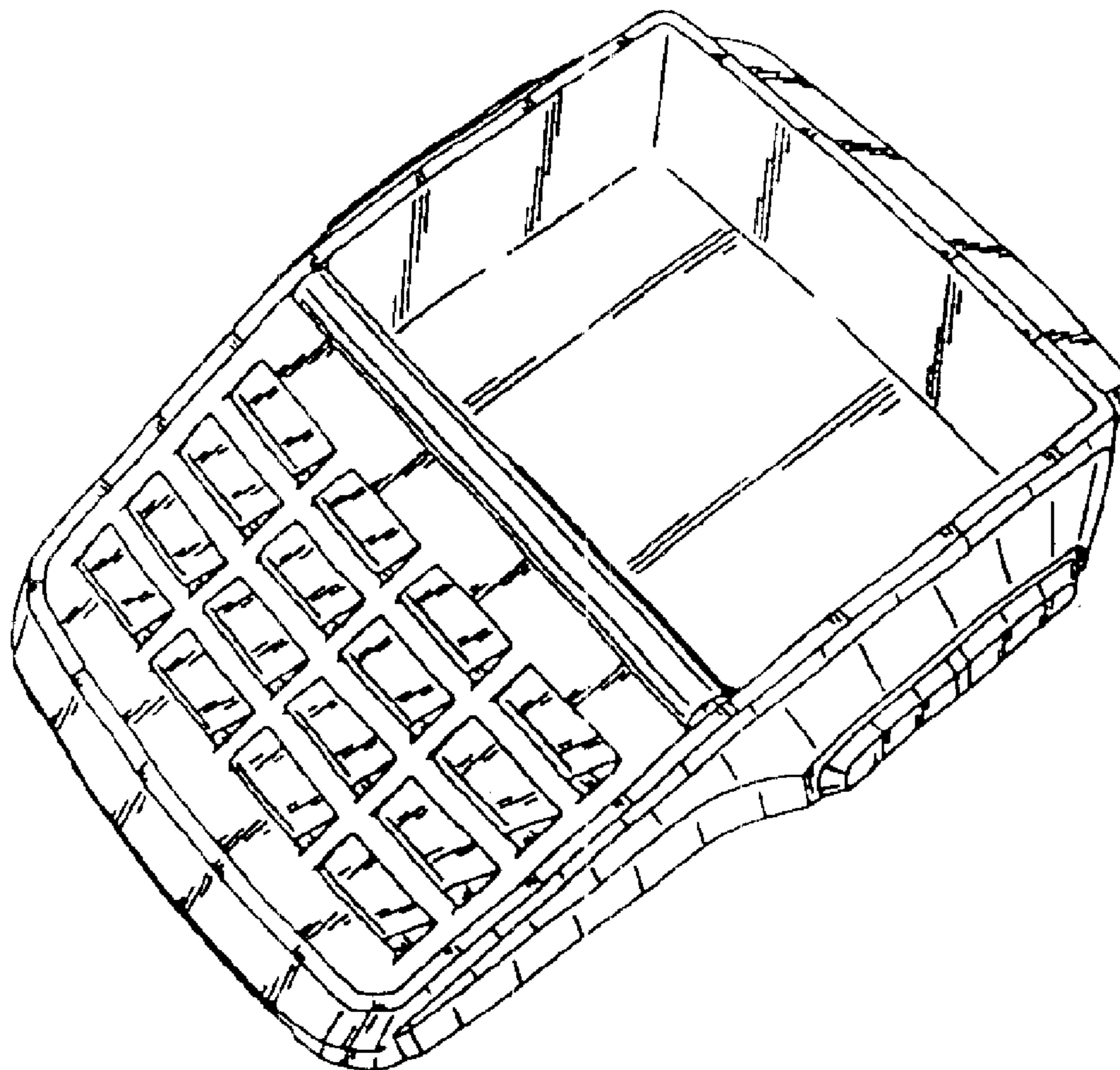
(57) **CLAIM**

The ornamental design for a watch case, as shown and described.

DESCRIPTION

FIG. 1 is a reduced scale front, right side, bottom perspective view of a watch case showing my new design;
 FIG. 2 is a front elevational view thereof;
 FIG. 3 is a rear elevational view thereof;
 FIG. 4 is a left side view thereof;
 FIG. 5 is a right side view thereof;
 FIG. 6 is a top plan view thereof; and,
 FIG. 7 is a bottom plan view thereof.

1 Claim, 6 Drawing Sheets



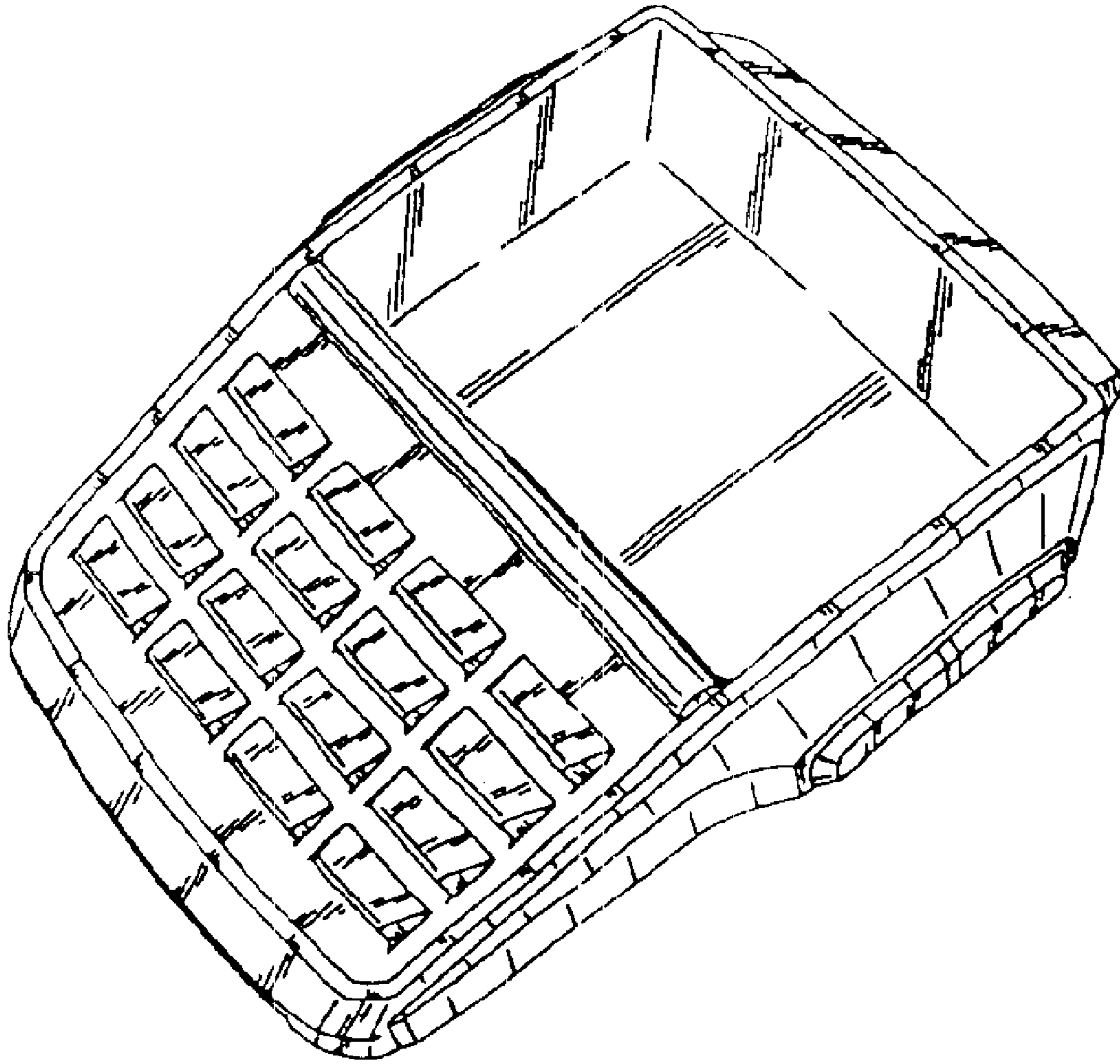


FIG. 1

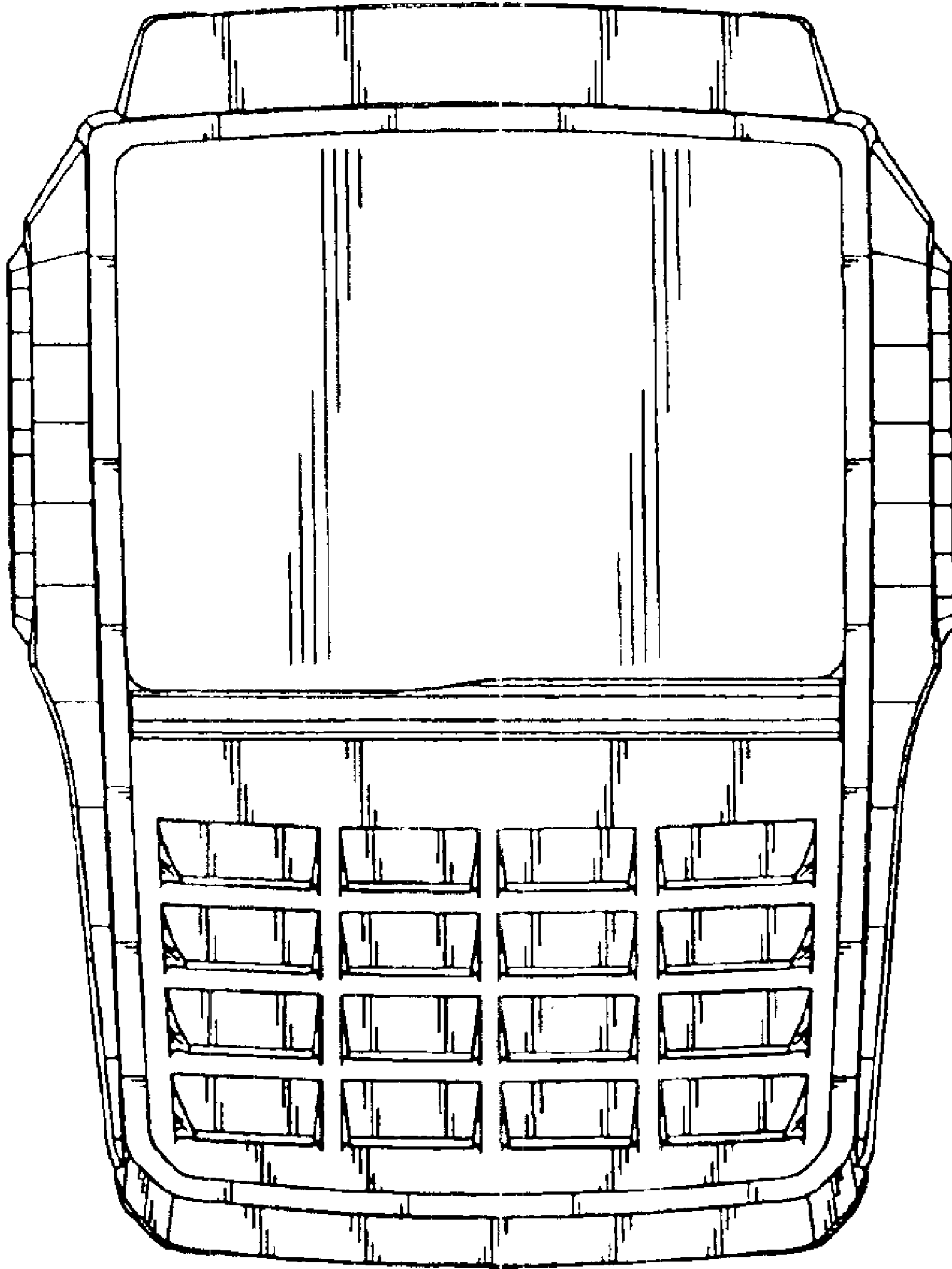


FIG. 2

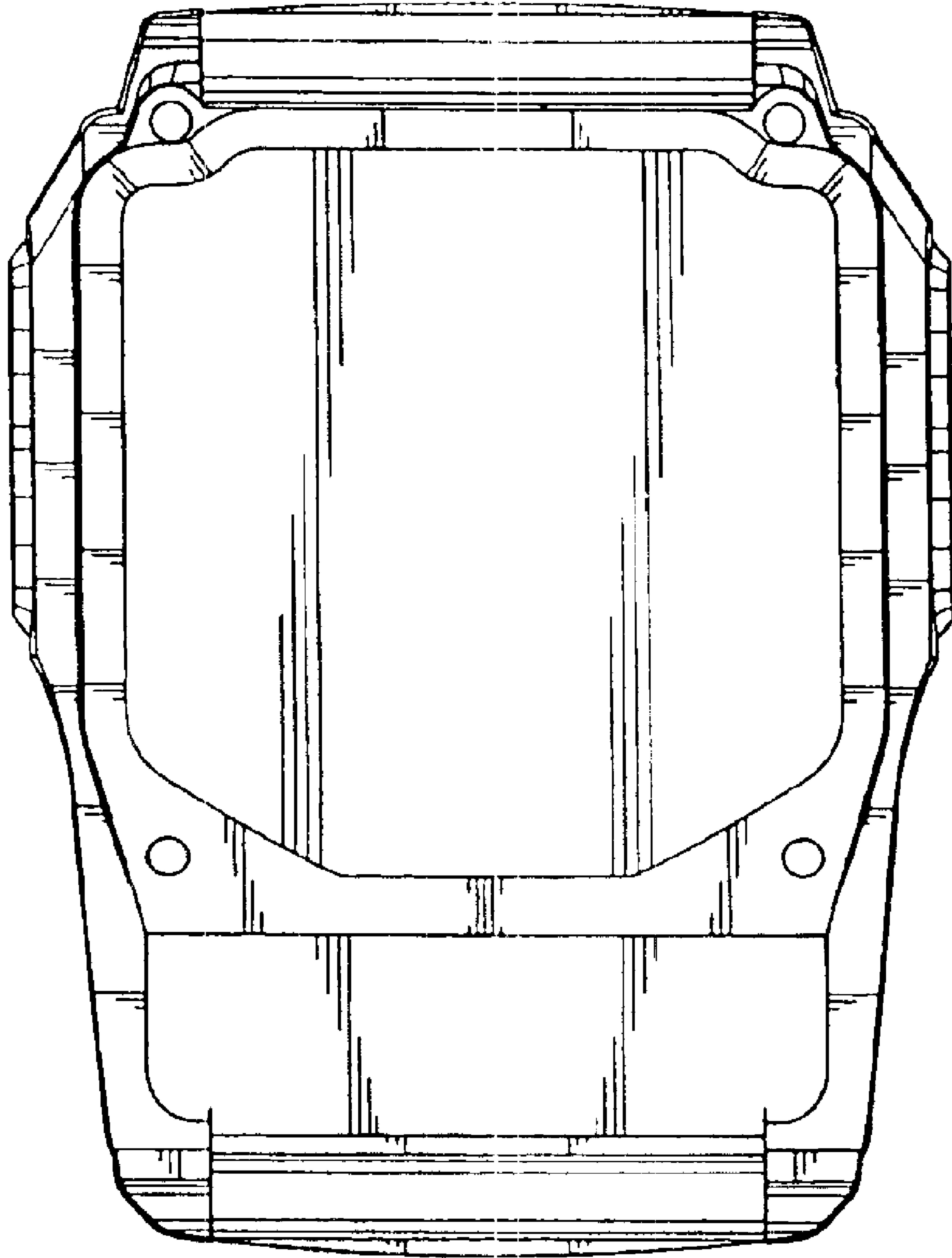


FIG. 3

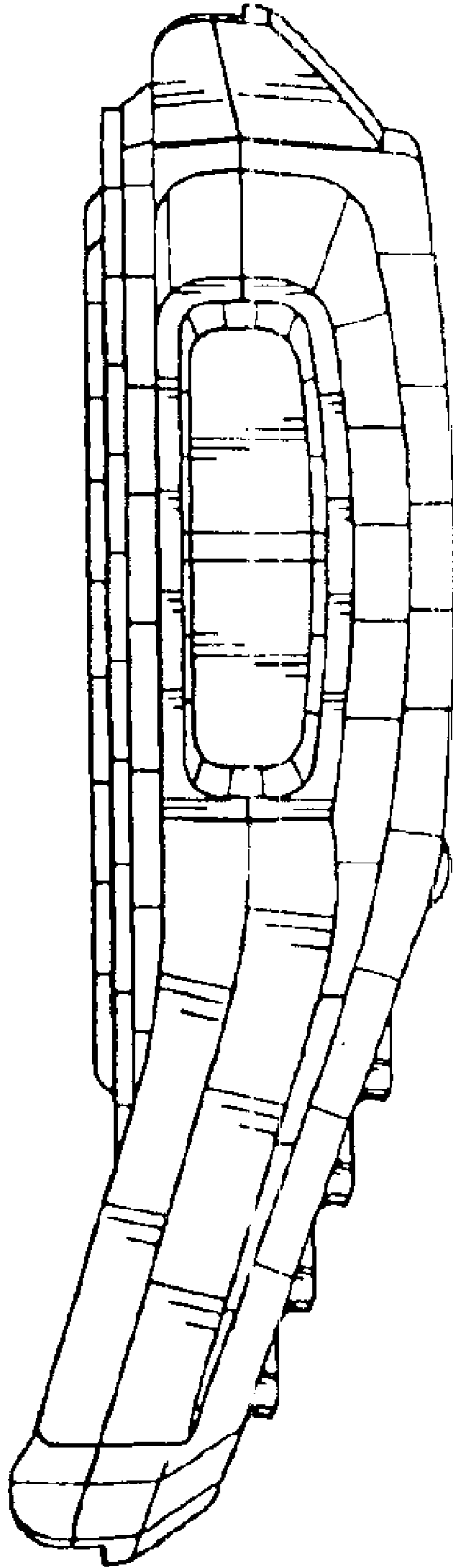


FIG. 4

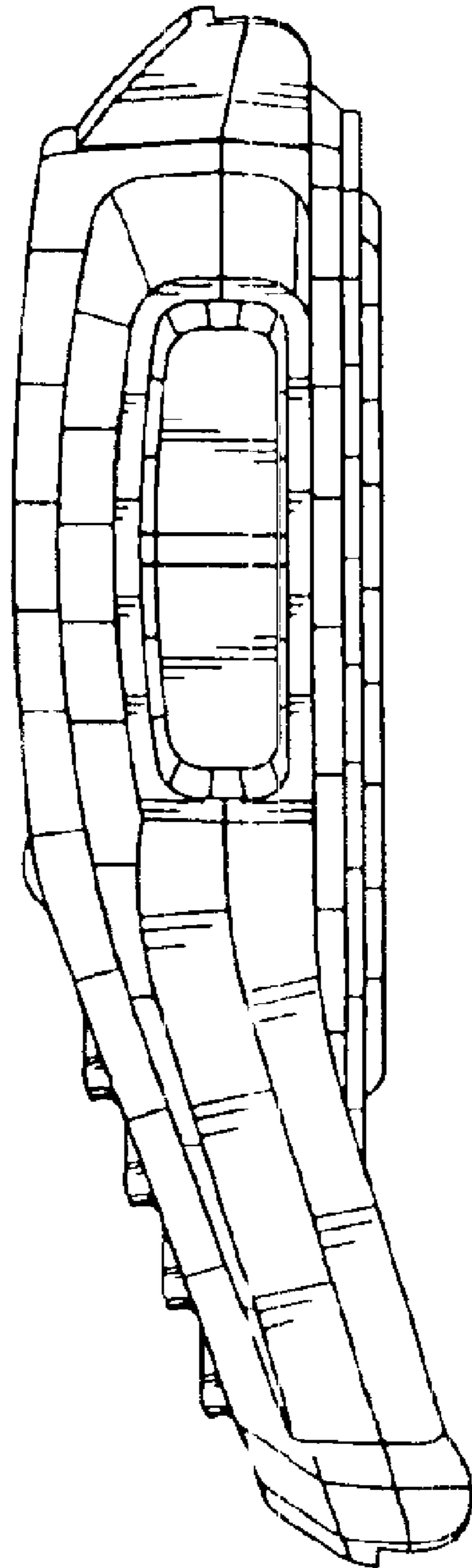


FIG. 5

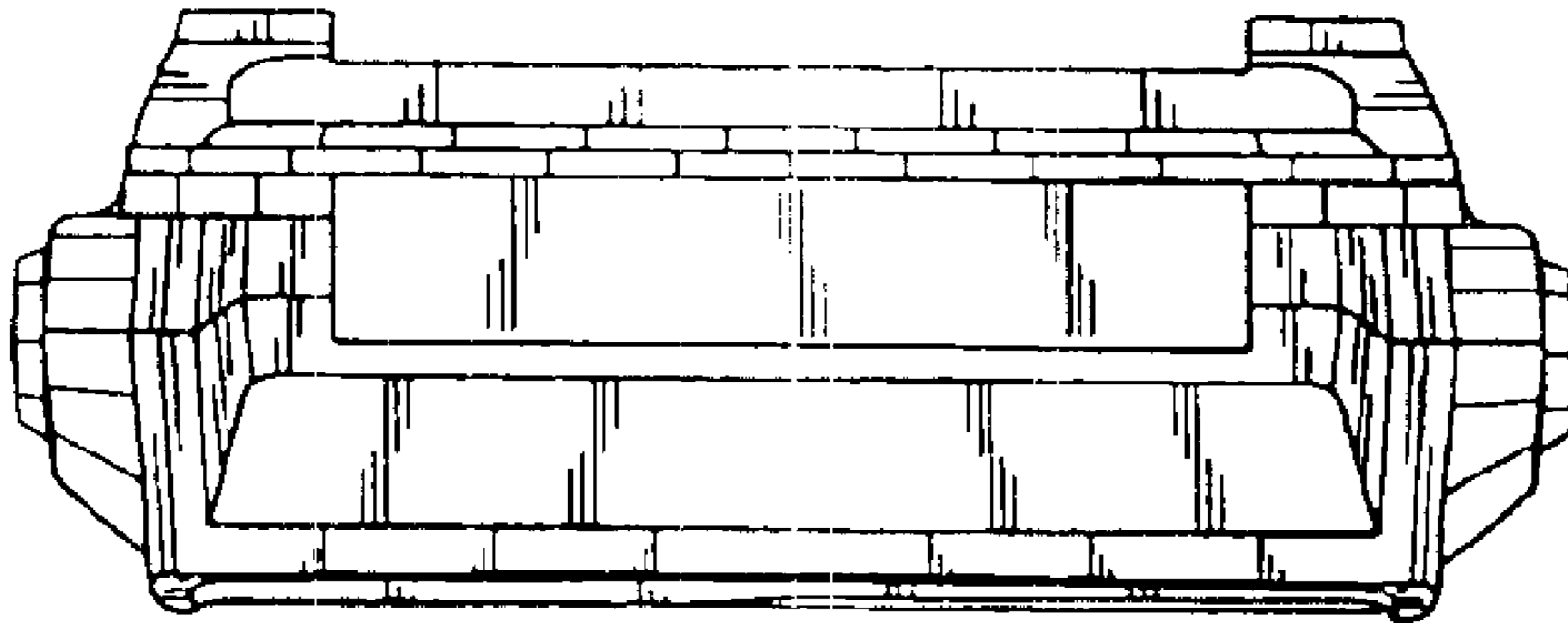


FIG. 6

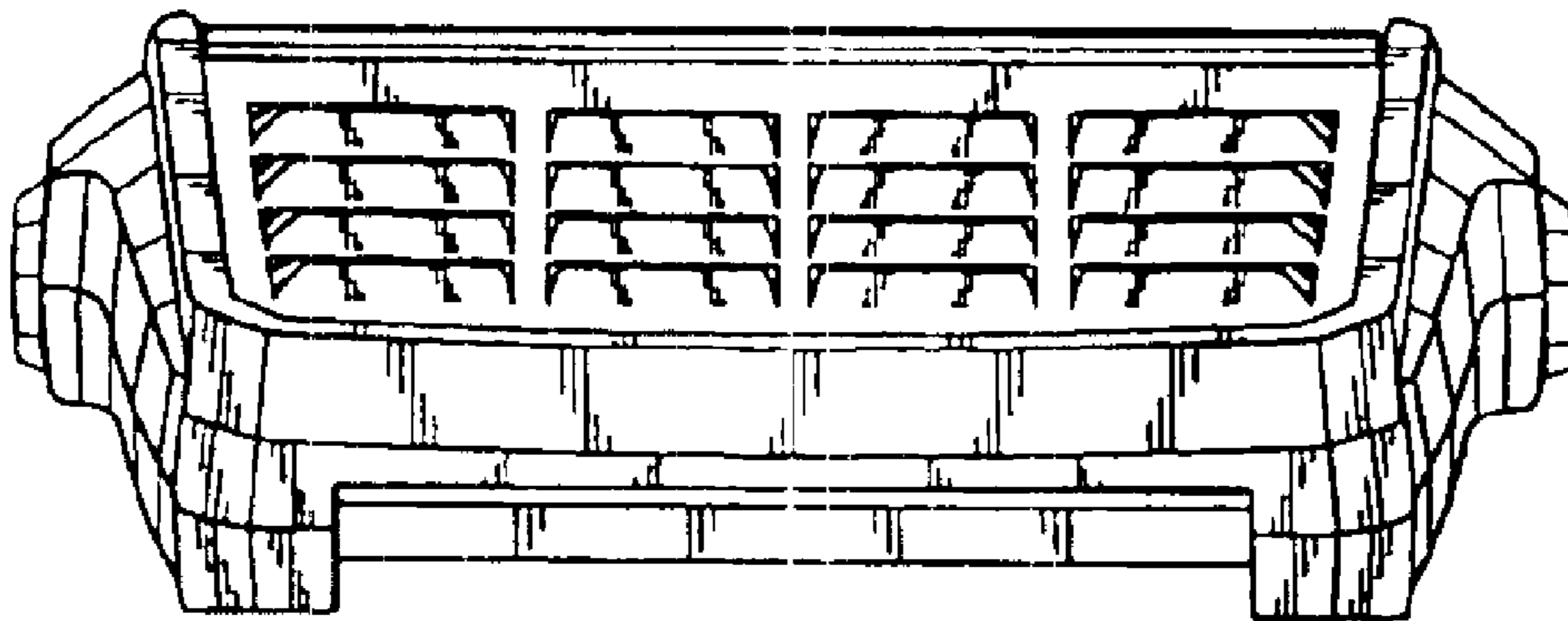


FIG. 7