

US00D504314S

(12) **United States Design Patent**  
**Kim**

(10) **Patent No.:** **US D504,314 S**  
(45) **Date of Patent:** **\*\* Apr. 26, 2005**

- (54) **TISSUE BOX**
- (76) **Inventor:** **Sunyong Kim**, 3817 Imperial Garden Dr., #7, Saint Ann, MO (US) 63074
- (\*\*) **Term:** **14 Years**
- (21) **Appl. No.:** **29/202,131**
- (22) **Filed:** **Mar. 26, 2004**

**Related U.S. Application Data**

- (62) Division of application No. 29/166,941, filed on Sep. 6, 2002, now Pat. No. Des. 491,059.
- (51) **LOC (7) Cl.** ..... **09-07**
- (52) **U.S. Cl.** ..... **D9/416; D9/417; D9/432**
- (58) **Field of Search** ..... D9/414, 416, 417, D9/418, 422, 337; D6/522, 515; 206/216, 581, 457, 459.1, 765, 756, 773-783, 233, 494; 229/122, 122.1, 238, 242, 125.15, 925, 162; 221/45, 52, 56, 33

3,372,837 A	3/1968	Neumann	
3,414,157 A	12/1968	Wright	
3,593,908 A	7/1971	Desmond et al.	
4,066,167 A	1/1978	Hanna et al.	
4,131,195 A	12/1978	Worrell, Sr.	
4,283,000 A	* 8/1981	White .....	221/312 R
4,513,862 A	4/1985	Mallow	
4,677,697 A	* 7/1987	Hayes .....	2/159
4,879,442 A	11/1989	Giovine	
4,919,302 A	4/1990	McPherson	
4,997,105 A	3/1991	Fischer	
D360,131 S	* 7/1995	Tudor .....	D9/418
6,095,326 A	8/2000	Madhat et al.	
D430,489 S	9/2000	Bowers et al.	
6,112,979 A	9/2000	Deger	
D445,332 S	7/2001	Breiding et al.	
D447,685 S	9/2001	Chagnon et al.	
D459,221 S	6/2002	Springer et al.	

\* cited by examiner

*Primary Examiner*—Prabhakar Deshmukh  
(74) *Attorney, Agent, or Firm*—Polster, Lieder, Woodruff & Lucchesi, LC

(56) **References Cited**

**U.S. PATENT DOCUMENTS**

1,764,673 A	6/1930	Babson
2,841,275 A	7/1958	Schwimmer et al.
2,915,218 A	12/1959	Rosenman et al.
3,001,645 A	9/1961	Hernberg
3,026,999 A	3/1962	Constantino
3,072,245 A	1/1963	Faltin
3,089,597 A	5/1963	Kaplan
3,095,087 A	6/1963	Yates
3,145,840 A	8/1964	Wright
3,221,928 A	12/1965	Horn
3,245,580 A	4/1966	Campanella
3,270,938 A	9/1966	Rhinegold
3,331,498 A	7/1967	Davies
3,338,464 A	8/1967	Callihan et al.

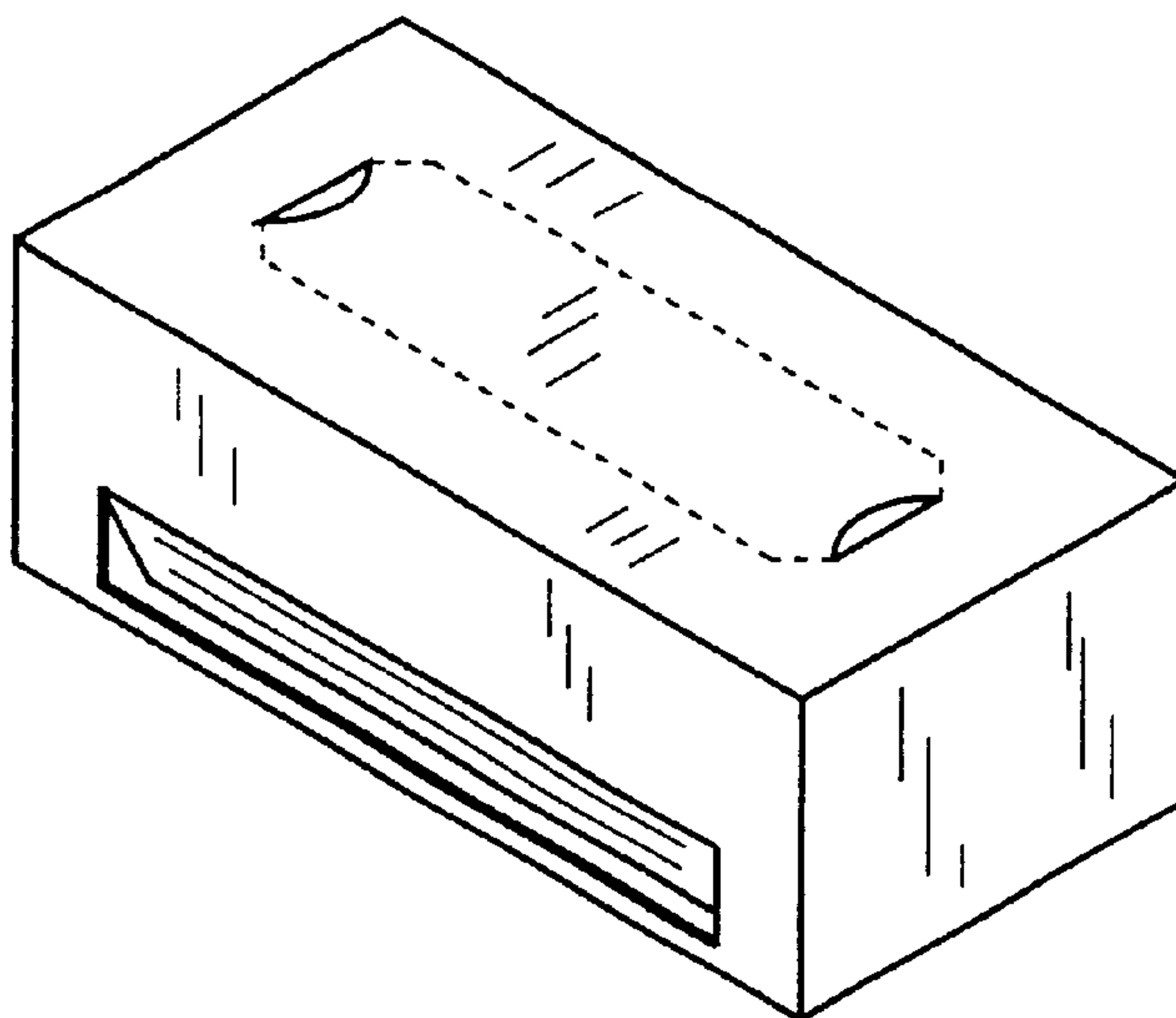
(57) **CLAIM**

I claim, the ornamental design for the tissue box, as shown and described.

**DESCRIPTION**

FIG. 1 is a view in perspective of a one illustrative embodiment showing my new design;  
FIG. 2 is a front elevational view thereof;  
FIG. 3 is a rear elevational view thereof;  
FIG. 4 is a top plan view thereof;  
FIG. 5 is a bottom plan view thereof; and,  
FIG. 6 is a side elevational view opposite to the side shown in FIG. 1.

**1 Claim, 1 Drawing Sheet**



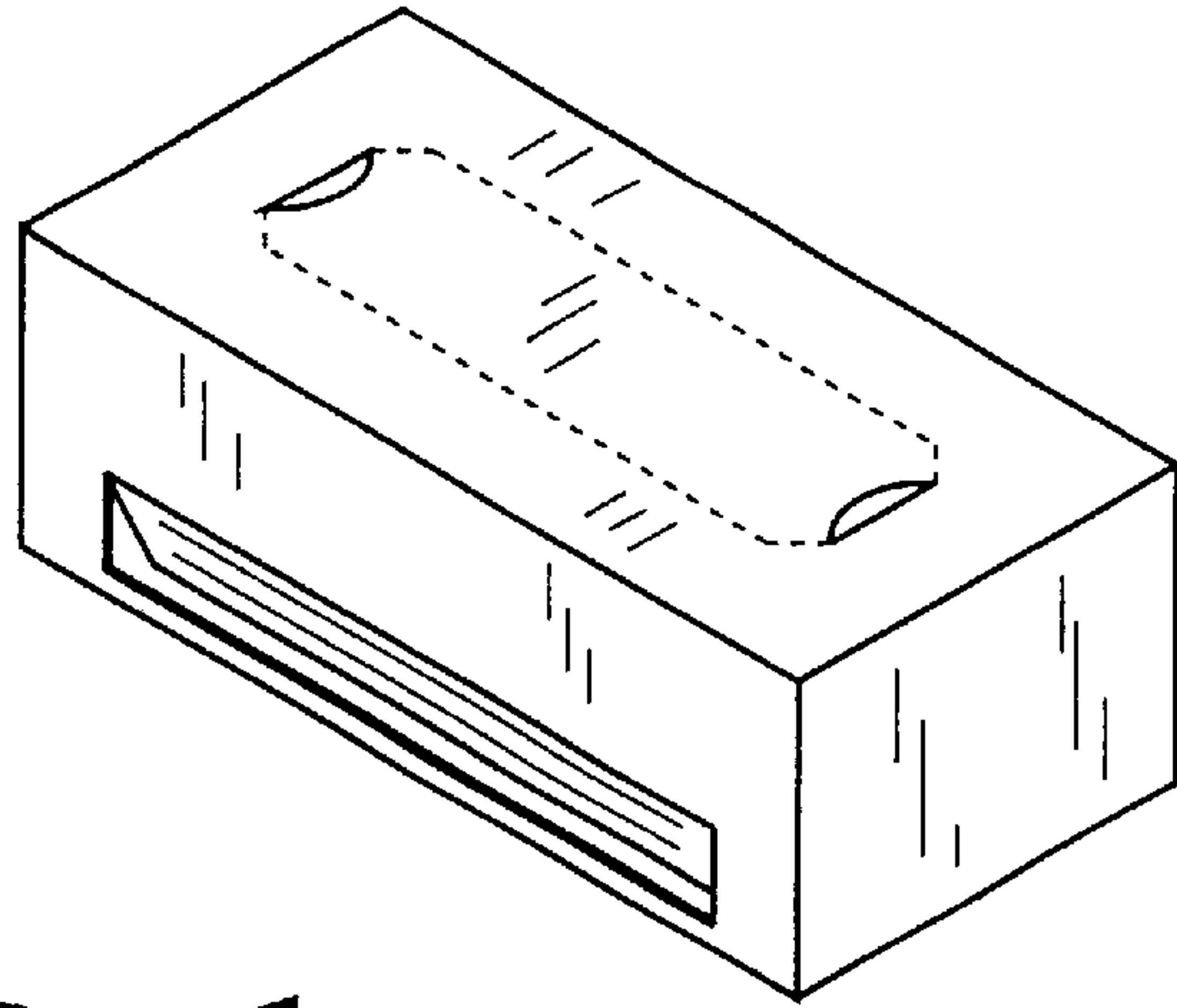


FIG. 1

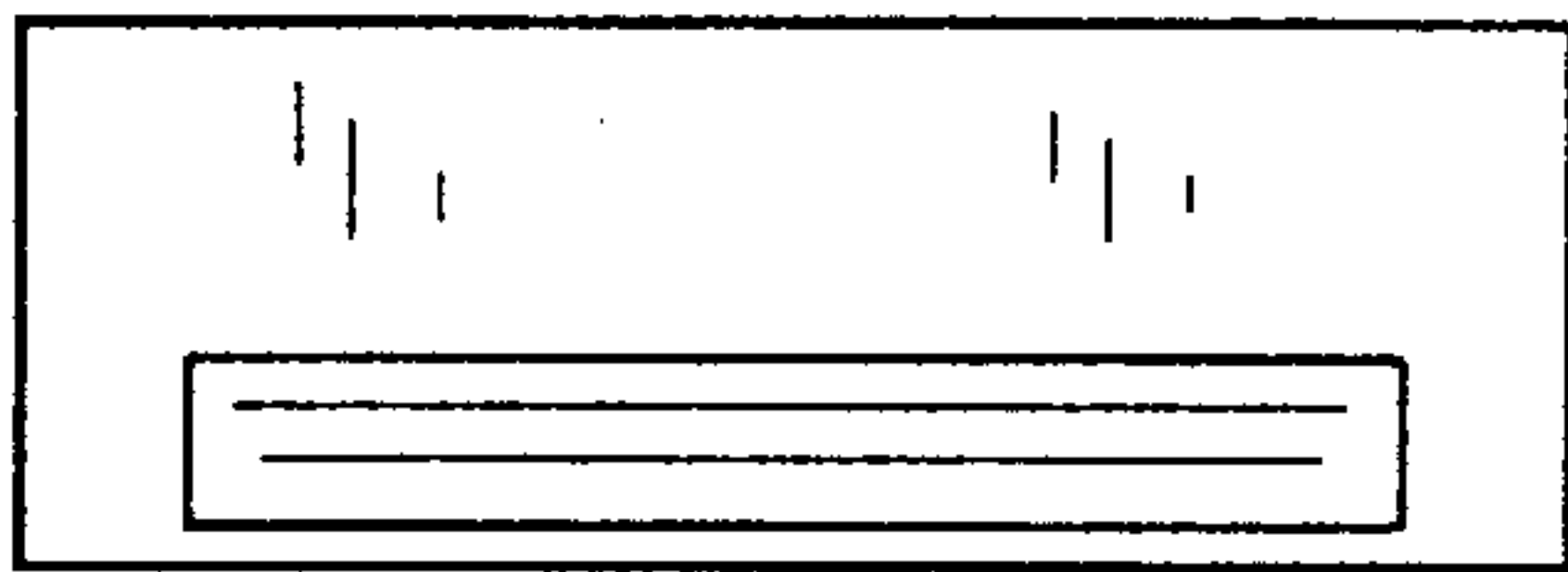


FIG. 2

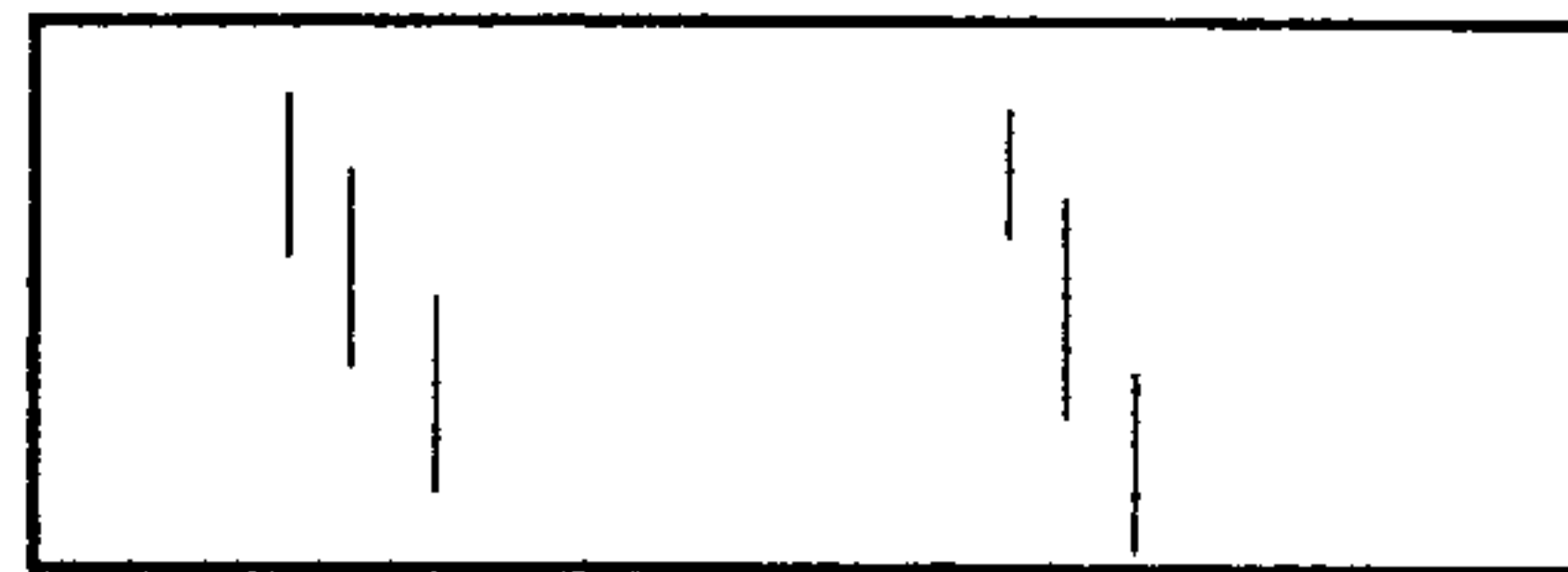


FIG. 3

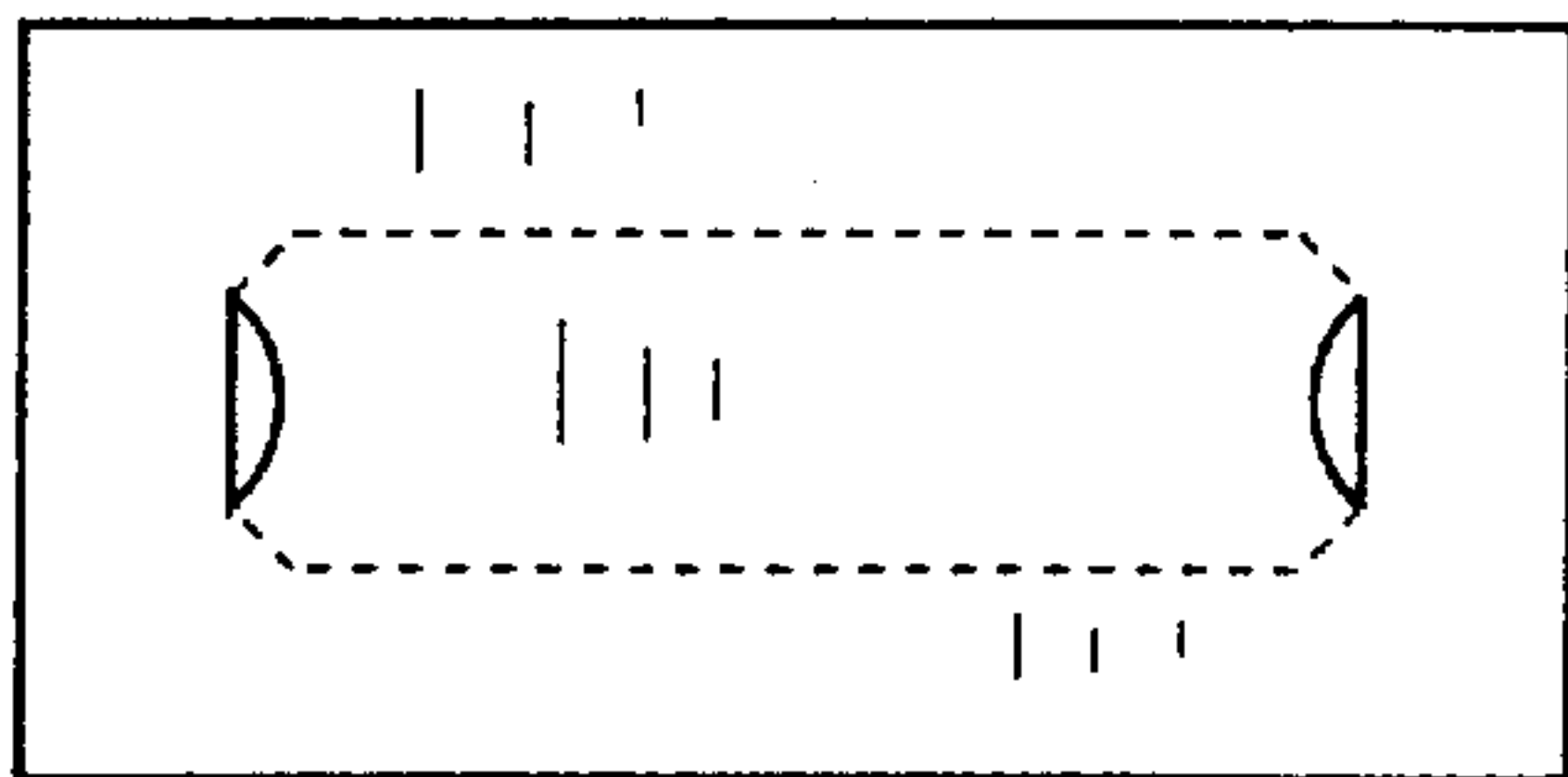


FIG. 4

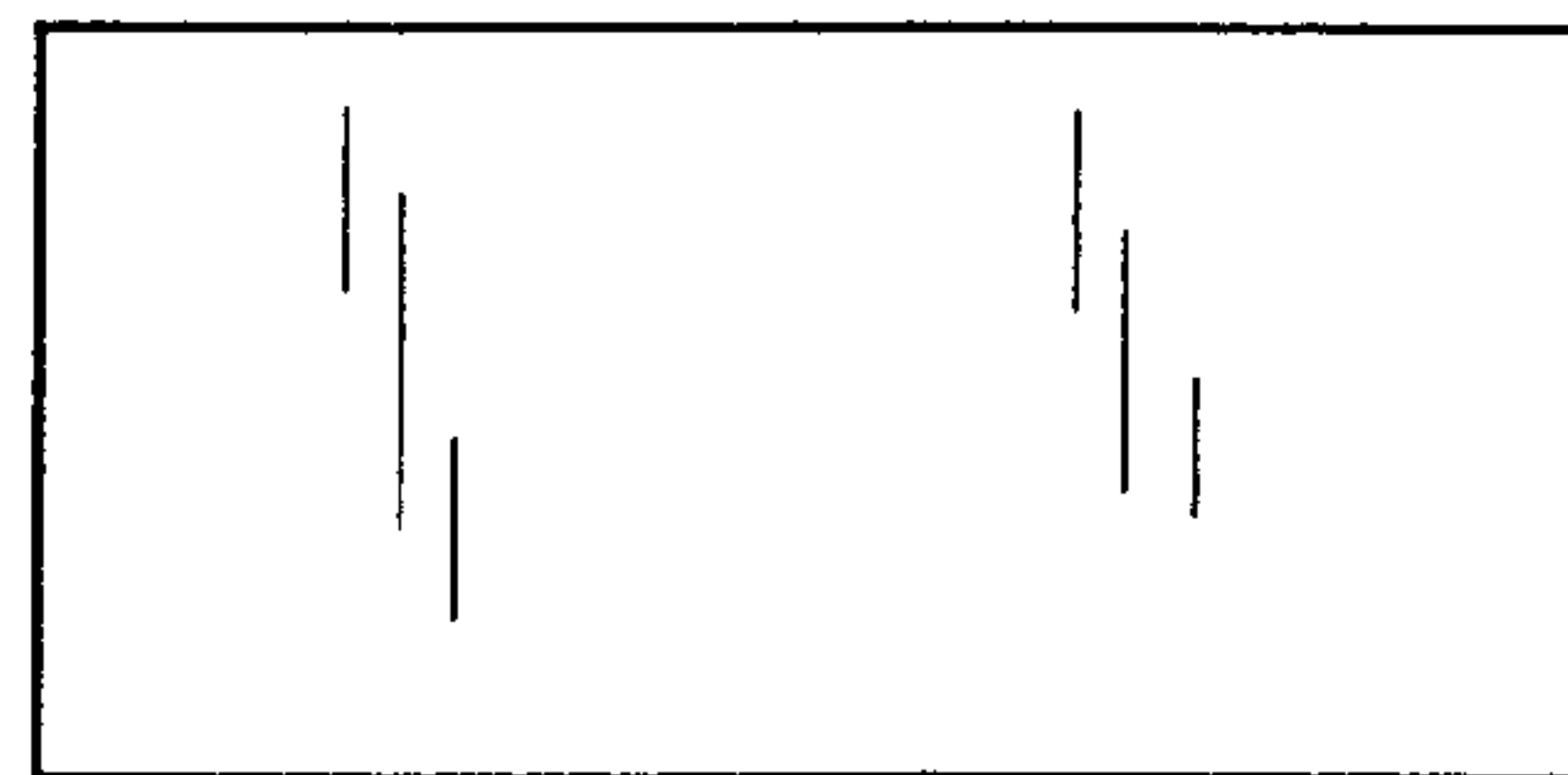


FIG. 5

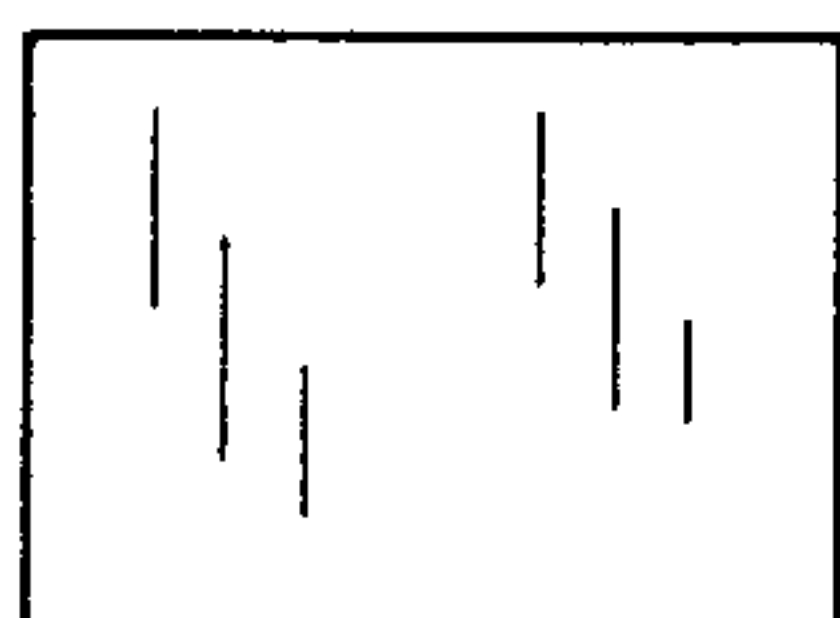


FIG. 6