

US00D504312S

(12) **United States Design Patent**
Peacock

(10) **Patent No.:** **US D504,312 S**

(45) **Date of Patent:** **** Apr. 26, 2005**

(54) **LIFT INSERT**

(75) **Inventor:** **Bobbie Don Peacock**, Peachtree City,
GA (US)

(73) **Assignee:** **M.A. Industries, Inc.**, Peachtree City,
GA (US)

(**) **Term:** **14 Years**

(21) **Appl. No.:** **29/207,902**

(22) **Filed:** **Jun. 21, 2004**

(51) **LOC (7) Cl.** **08-08**

(52) **U.S. Cl.** **D8/382; D8/385; D8/384**

(58) **Field of Search** D8/331, 330, 339,
D8/341, 337, 338, 336, 347, 385, 384,
396, 394, 350, 346, 383, 382; 292/49, 70,
221, 36, 127, DIG. 5; 70/232, 346, 404,
259; 411/137, 110; 606/153; 227/175; 362/177;
175/230; 248/231.91

(56) **References Cited**

U.S. PATENT DOCUMENTS

D48,225 S	*	12/1915	Pleister	D8/385
3,013,271 A	*	12/1961	Carpinella	227/141
3,513,896 A	*	5/1970	Neuschotz	411/110
3,783,941 A	*	1/1974	Kisling, III	166/217
3,825,077 A	*	7/1974	Jackson	175/57
D264,429 S	*	5/1982	Foscarini et al.	D8/385
4,676,249 A	*	6/1987	Arenas et al.	411/110
D298,911 S	*	12/1988	Burke, Sr.	D8/330
4,895,485 A	*	1/1990	Guevara et al.	411/332
5,217,393 A	*	6/1993	Del Negro et al.	439/585
5,261,920 A	*	11/1993	Main et al.	606/153
5,536,121 A	*	7/1996	McSherry	411/31

5,558,479 A	*	9/1996	McElderry	411/178
5,733,083 A	*	3/1998	Heminger	411/82
6,007,285 A	*	12/1999	Sisto et al.	411/344
6,023,891 A	*	2/2000	Robertson et al.	52/125.4
6,079,921 A	*	6/2000	Gauthier et al.	411/110
6,109,587 A	*	8/2000	Peacock et al.	249/91
6,240,697 B1	*	6/2001	Thompson et al.	52/698
D462,060 S	*	8/2002	Fox	D13/154
6,676,348 B1	*	1/2004	Hoppe	411/48
6,729,821 B1	*	5/2004	Guthrie et al.	411/80
D498,131 S	*	11/2004	Peacock et al.	D8/331
D498,409 S	*	11/2004	Haas	D8/338
2002/0104208 A1	*	8/2002	Kurdziel et al.	29/235
2003/0049093 A1	*	3/2003	Ritter et al.	411/21

* cited by examiner

Primary Examiner—Jeffrey Asch

Assistant Examiner—Austin Murphy

(74) *Attorney, Agent, or Firm*—Kilpatrick Stockton LLP;
Michael J. Turton

(57) **CLAIM**

The ornamental design for a lift insert, as shown and described.

DESCRIPTION

FIG. 1 shows a perspective view of a lift insert according to a first embodiment of the present invention.

FIG. 2 shows a front view of the lift insert of FIG. 1.

FIG. 3 shows a right side view of the lift insert of FIG. 1.

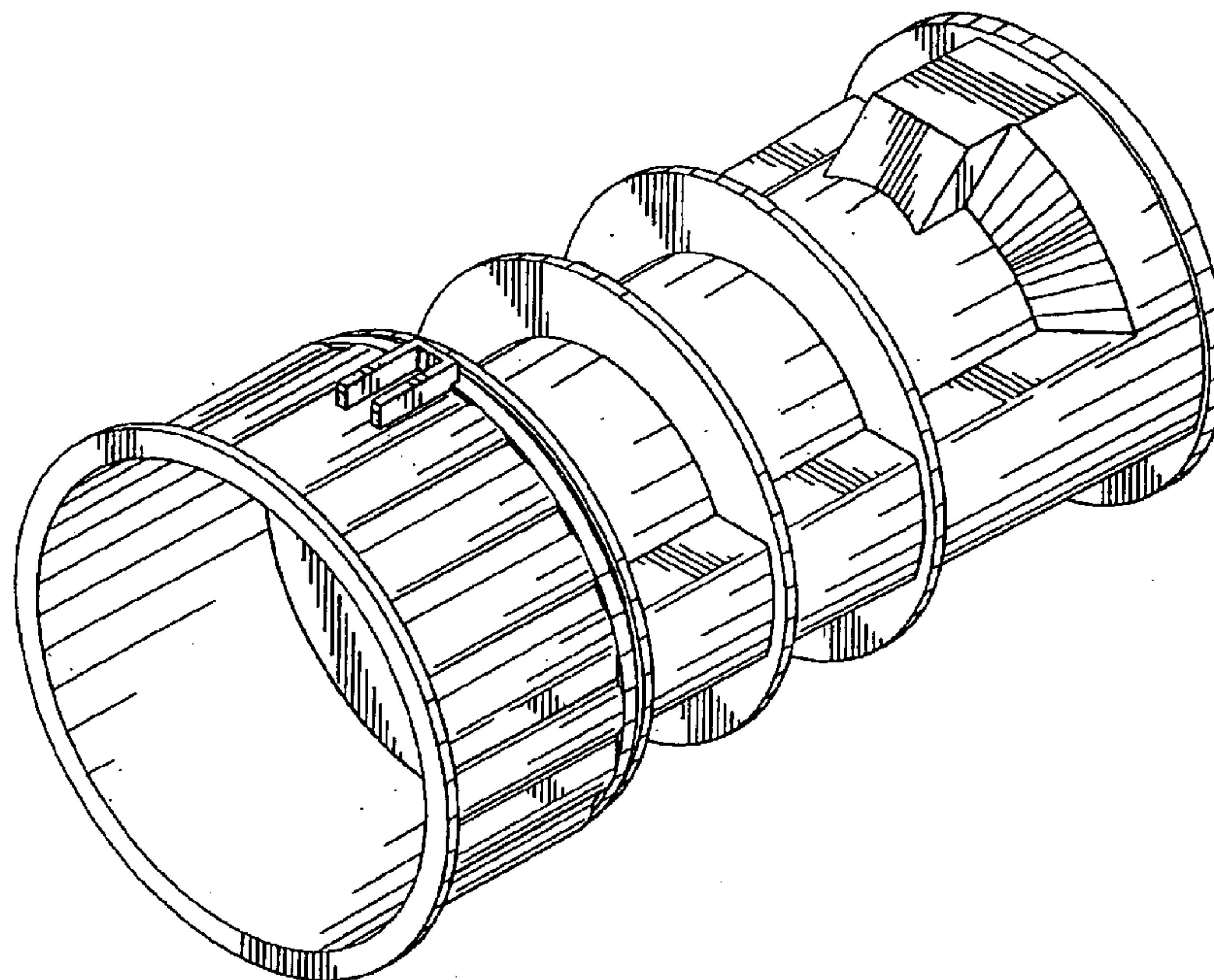
FIG. 4 shows a rear view of the lift insert of FIG. 1.

FIG. 5 shows a left view of the lift insert of FIG. 1.

FIG. 6 shows a top view of the lift insert of FIG. 1; and,

FIG. 7 shows a bottom view of the lift insert of FIG. 1.

1 Claim, 3 Drawing Sheets



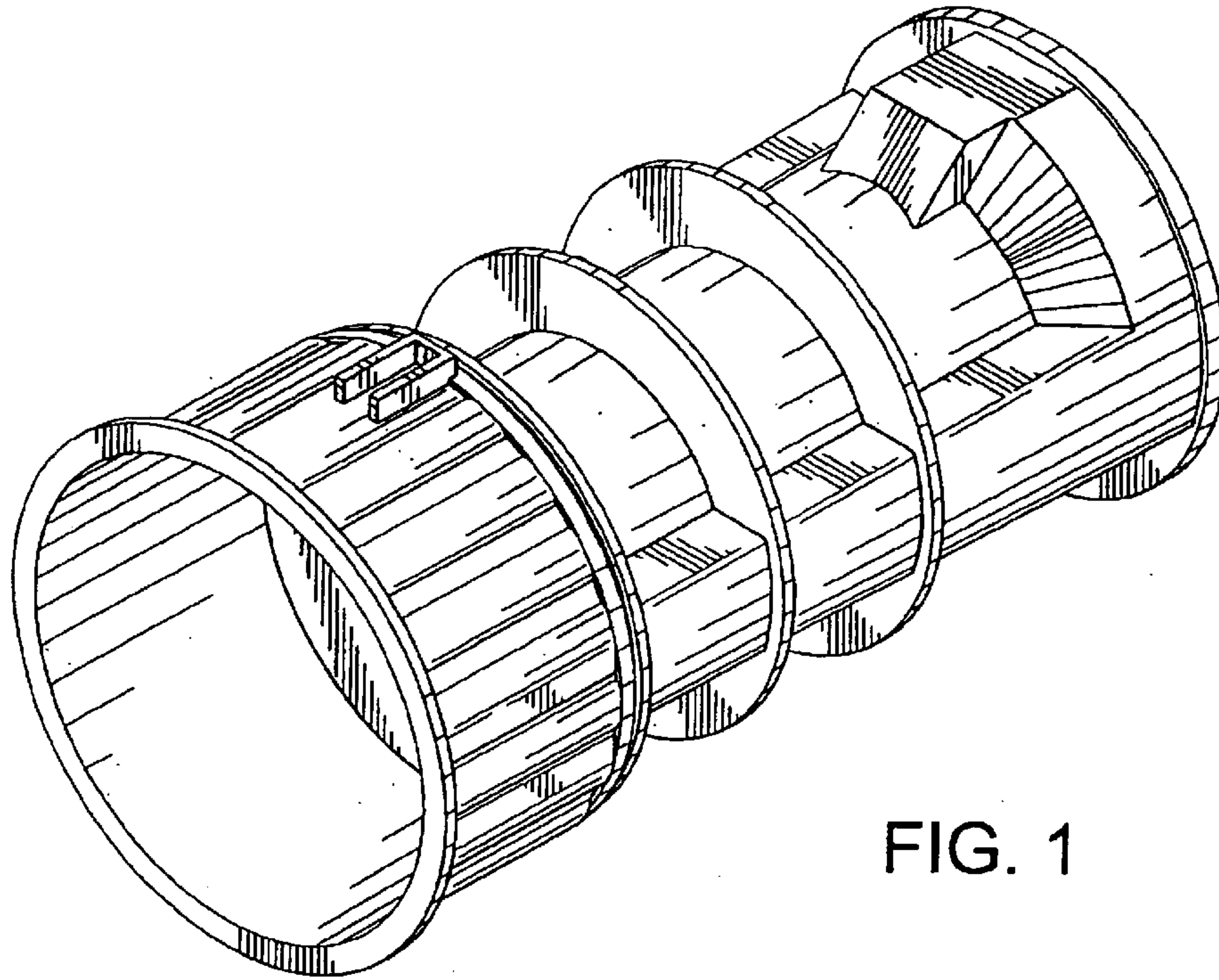


FIG. 1

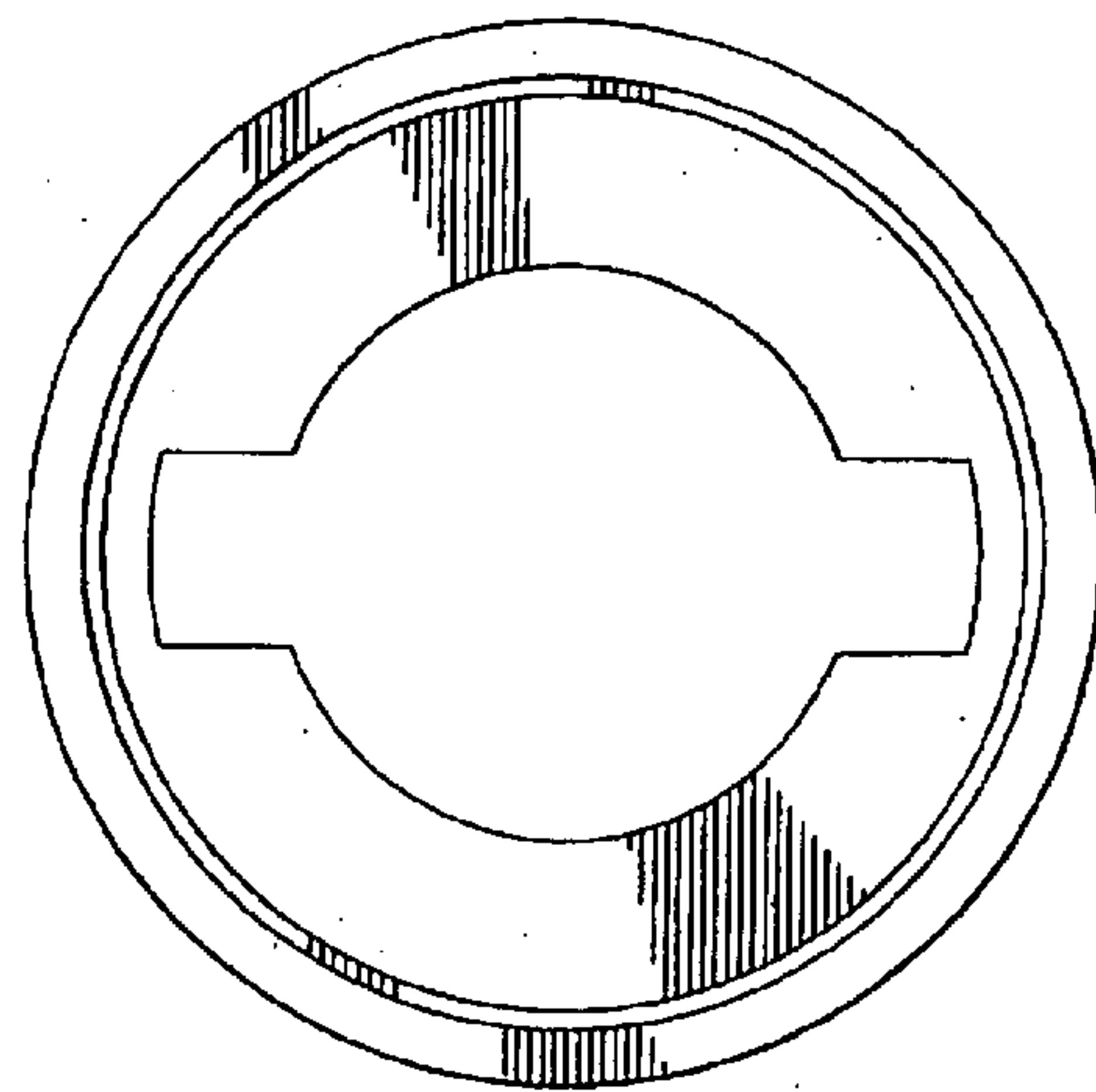


FIG. 2

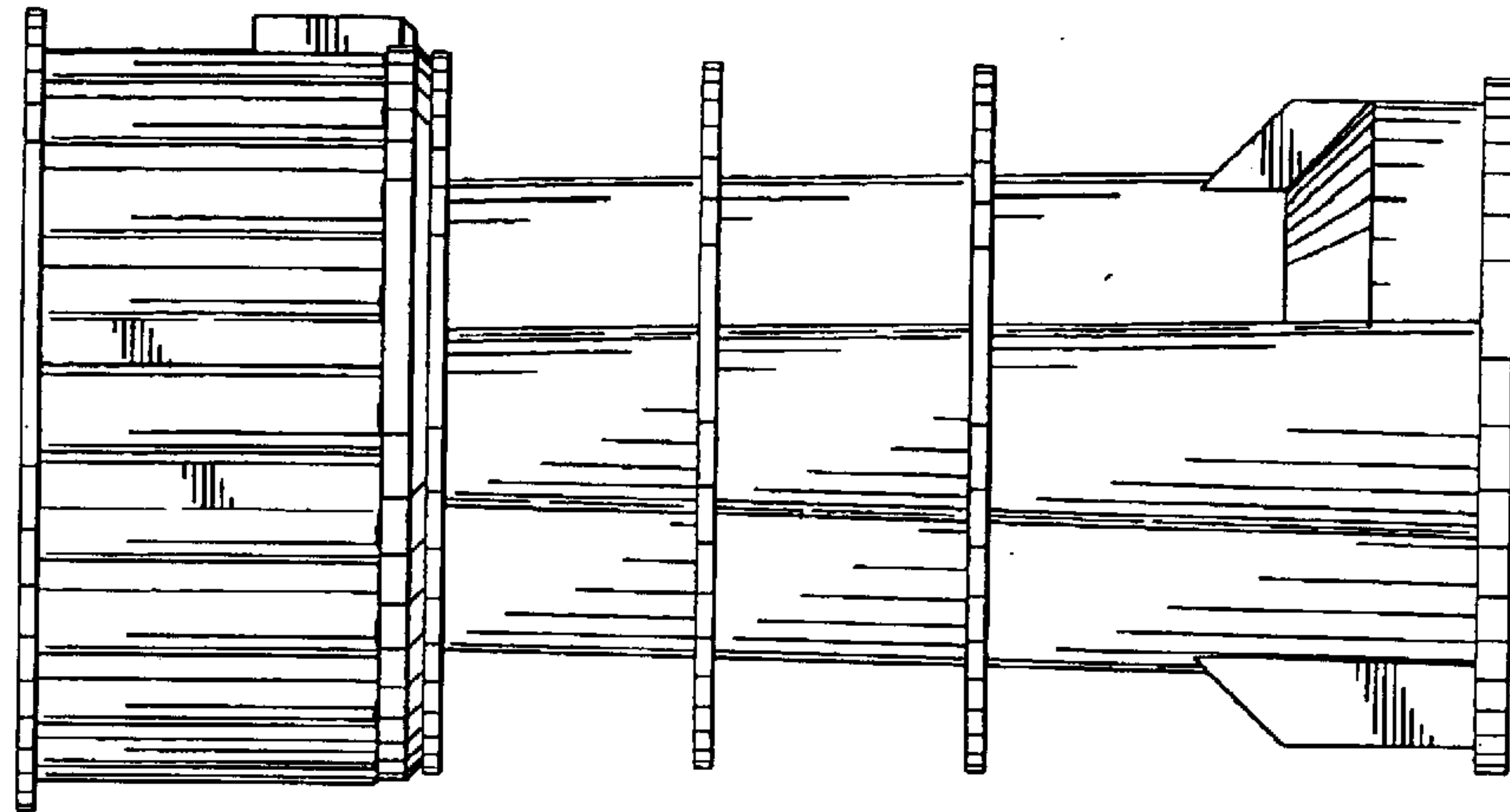


FIG. 3

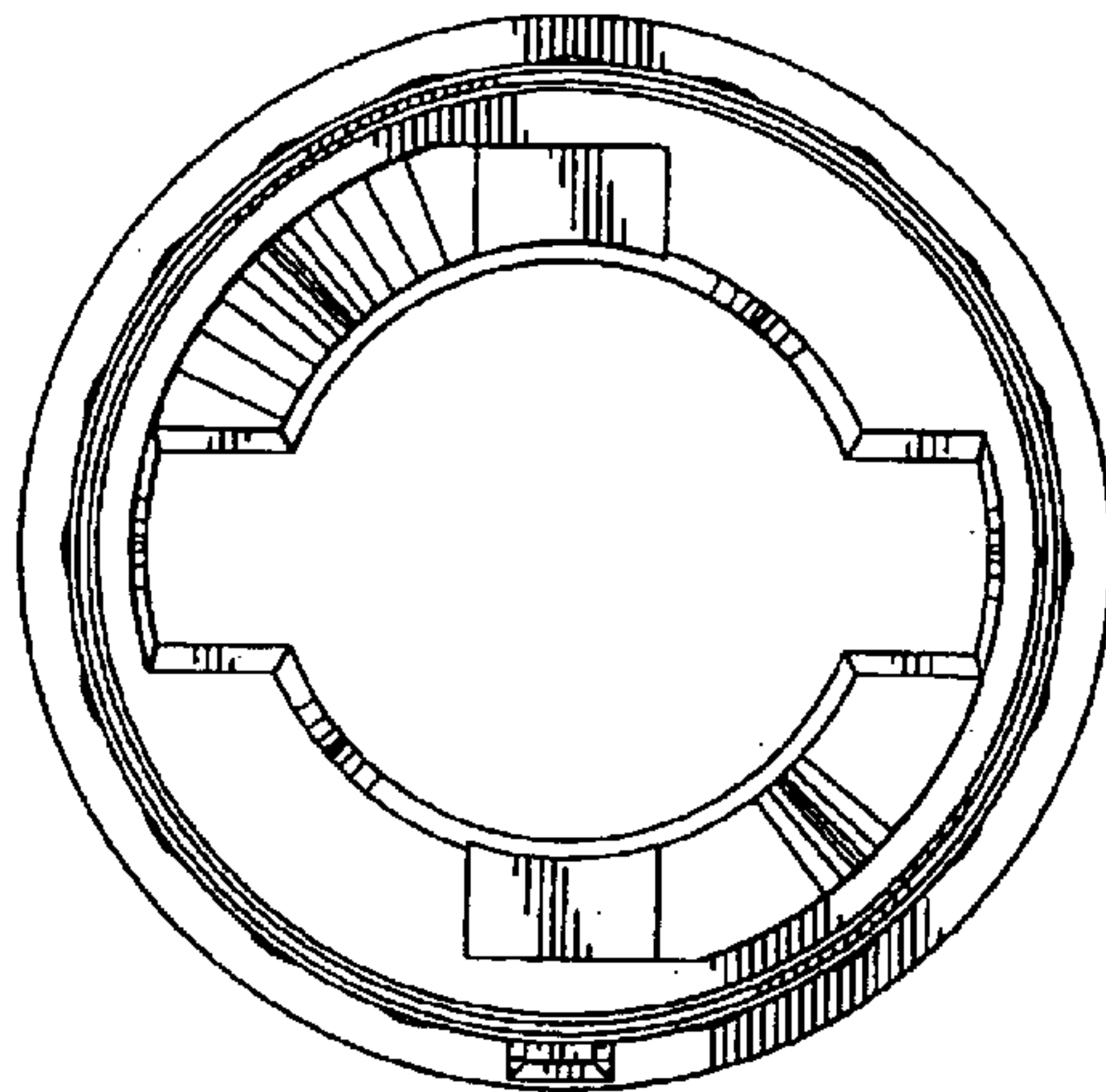


FIG. 4

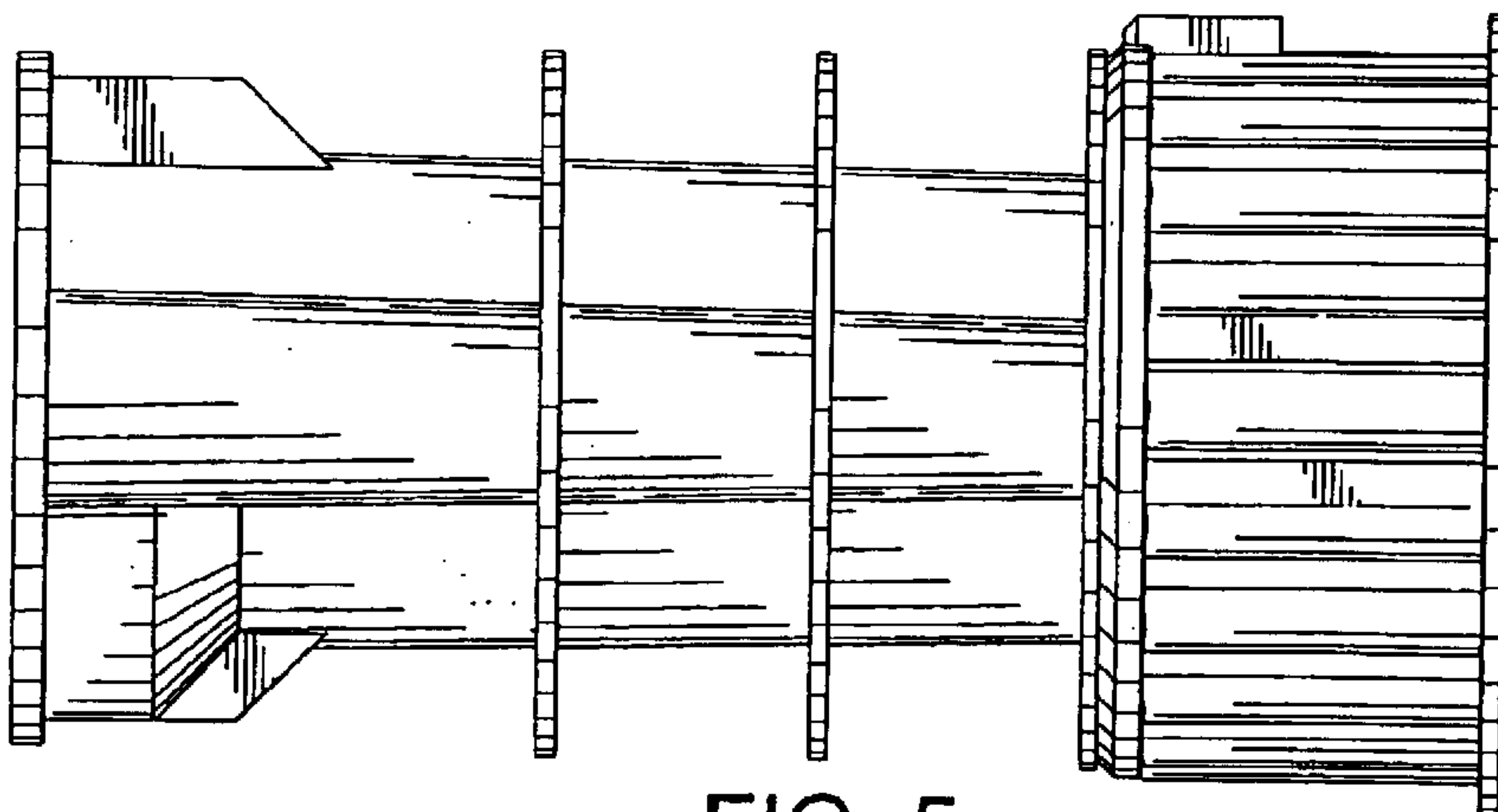


FIG. 5

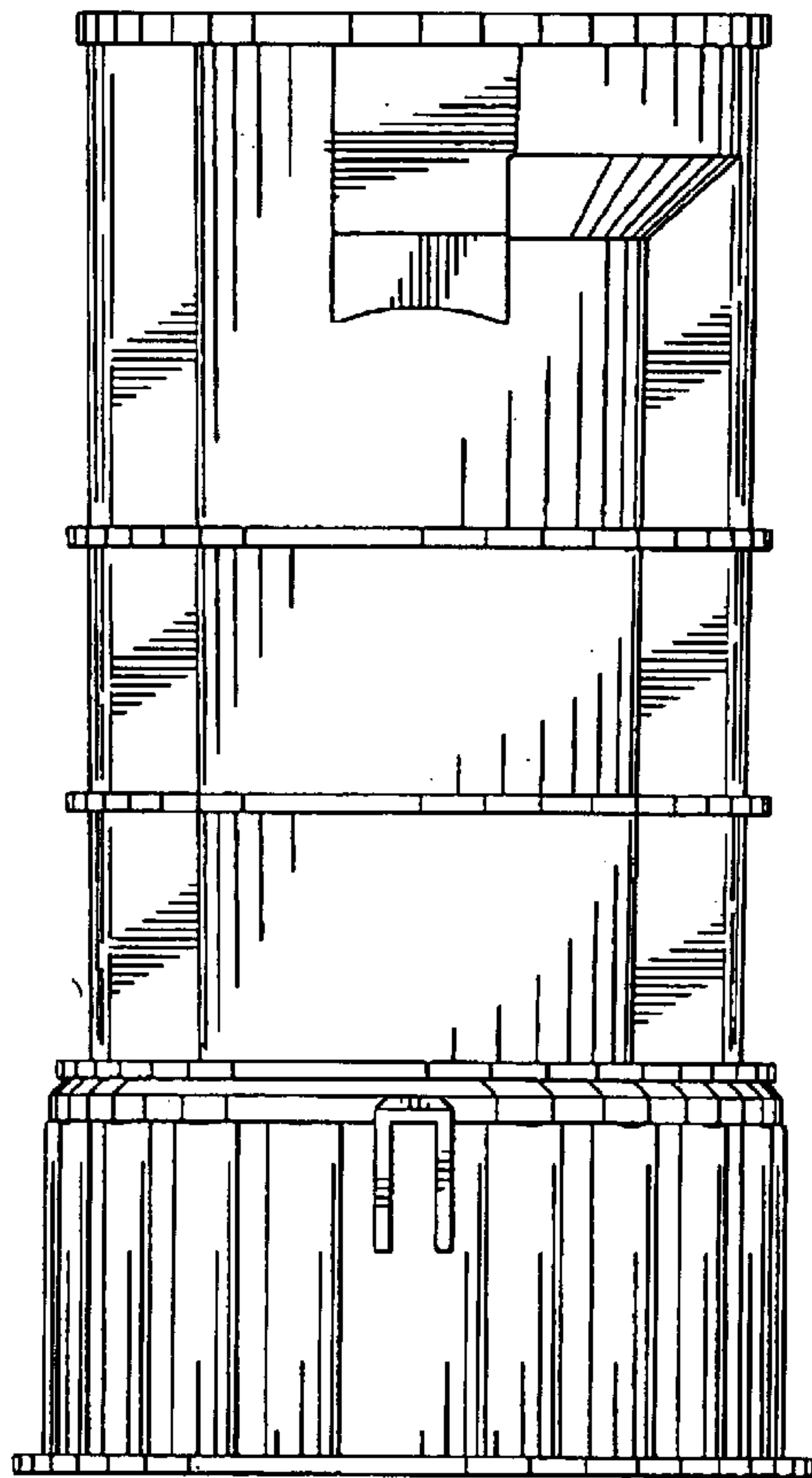


FIG. 6

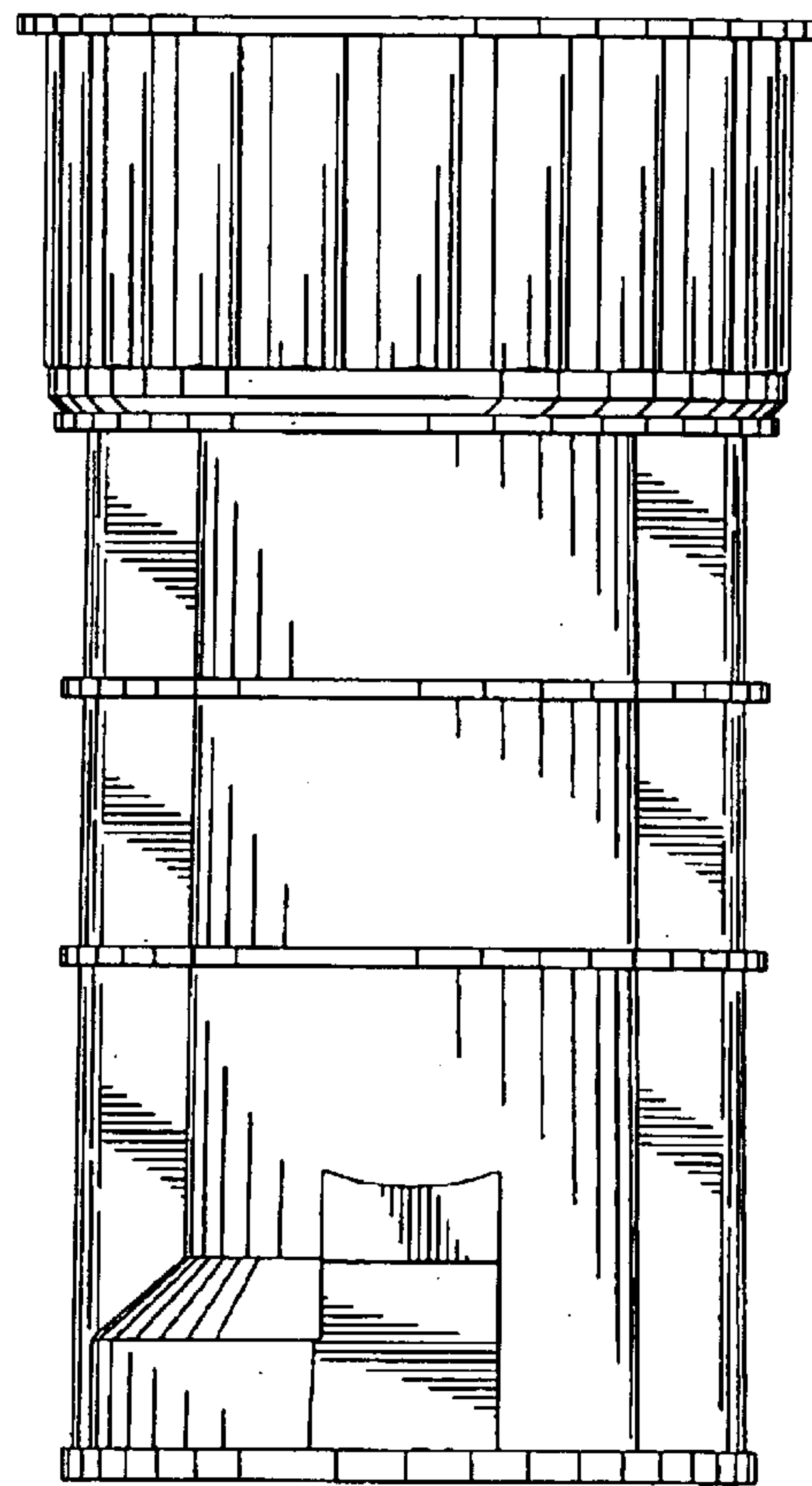


FIG. 7