

US00D504300S

(12) **United States Design Patent**  
**Chen et al.**

(10) **Patent No.: US D504,300 S**  
(45) **Date of Patent: \*\* Apr. 26, 2005**

(54) **CONTROL KNOB FOR AN APPLIANCE**  
(75) Inventors: **Xiaojian James Chen**, Cleveland, TN (US); **Gary B. Jackovin**, Ankeny, IA (US)  
(73) Assignee: **Maytag Corporation**, Newton, IA (US)  
(\*\*) Term: **14 Years**

D423,903 S \* 5/2000 Keller ..... D8/314  
D444,049 S \* 6/2001 Decosse ..... D8/311

\* cited by examiner

*Primary Examiner*—Nanda Bondade  
(74) *Attorney, Agent, or Firm*—Diederiks & Whitelaw, PLC

(21) Appl. No.: **29/180,659**  
(22) Filed: **Apr. 29, 2003**

(57) **CLAIM**

The ornamental design for a control knob for an appliance, as shown and described.

(51) **LOC (7) Cl.** ..... **08-06**  
(52) **U.S. Cl.** ..... **D8/310**  
(58) **Field of Search** ..... D8/300–302, 307, D8/314, 331, 352, DIG. 2, 310–311; D13/158, 171, 174; 116/309, 311–312, 317–319, DIG. 28, 298; 200/329, 336, 341; 292/169, 336.3, 347

**DESCRIPTION**

FIG. 1 is a upper left perspective view of a control knob for an appliance, showing my new design;  
FIG. 2 is an enlarged, upper right perspective view of the control knob of the invention;  
FIG. 3 is a front elevational view of the control knob of the invention;  
FIG. 4 is a top plan view of the control knob of the invention;  
FIG. 5 is a right side elevational view of the control knob of the invention, with the left side elevational view being a mirror image thereof; and,  
FIG. 6 is a rear elevational view of the control knob of the invention.

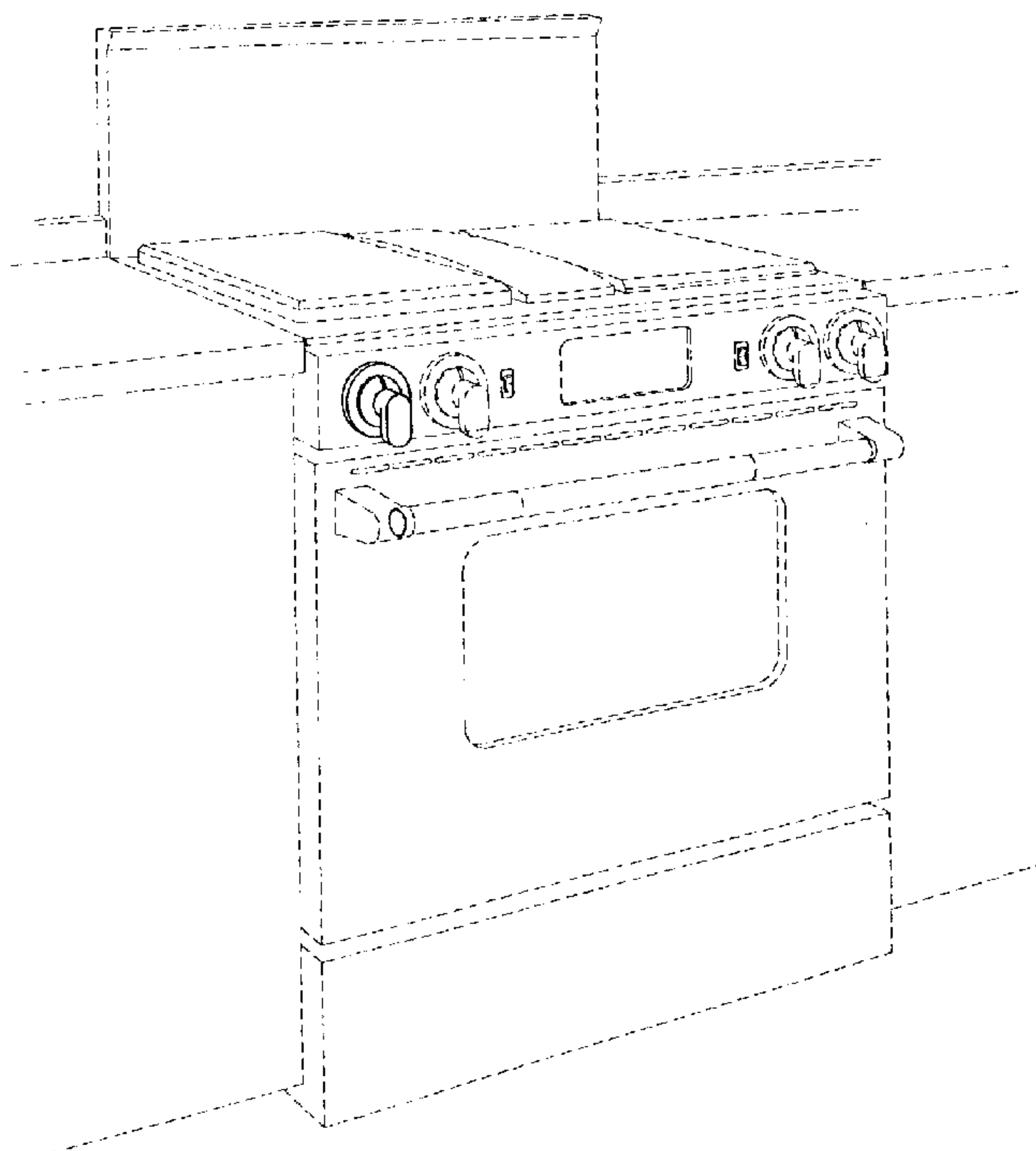
The bottom of the control knob does not form part of the invention and is therefore not depicted.

The broken line showing in FIG. 1 is for illustrative purposes only and forms no part of the claimed design.

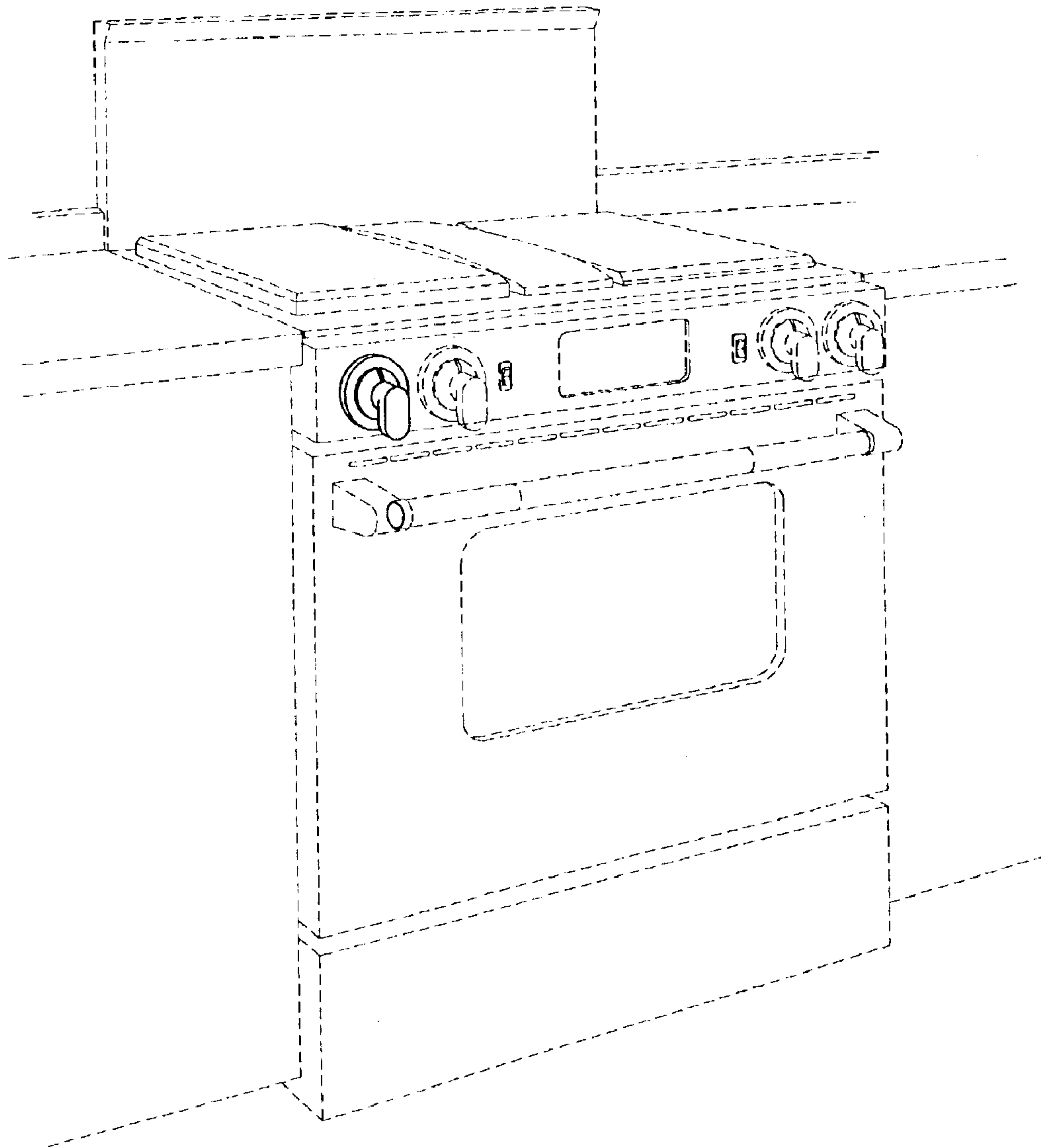
(56) **References Cited**  
**U.S. PATENT DOCUMENTS**

D112,913 S 1/1939 Pugh  
D132,433 S 5/1942 Pellegrin  
D149,651 S 5/1948 Kerr et al.  
D152,928 S 3/1949 Stuman  
D159,415 S 7/1950 Hitchcock  
2,957,447 A \* 10/1960 Pearce ..... 116/332  
D198,030 S 4/1964 Hill et al.  
D248,366 S 7/1978 Arends  
D378,045 S \* 2/1997 Lewis et al. .... D8/307

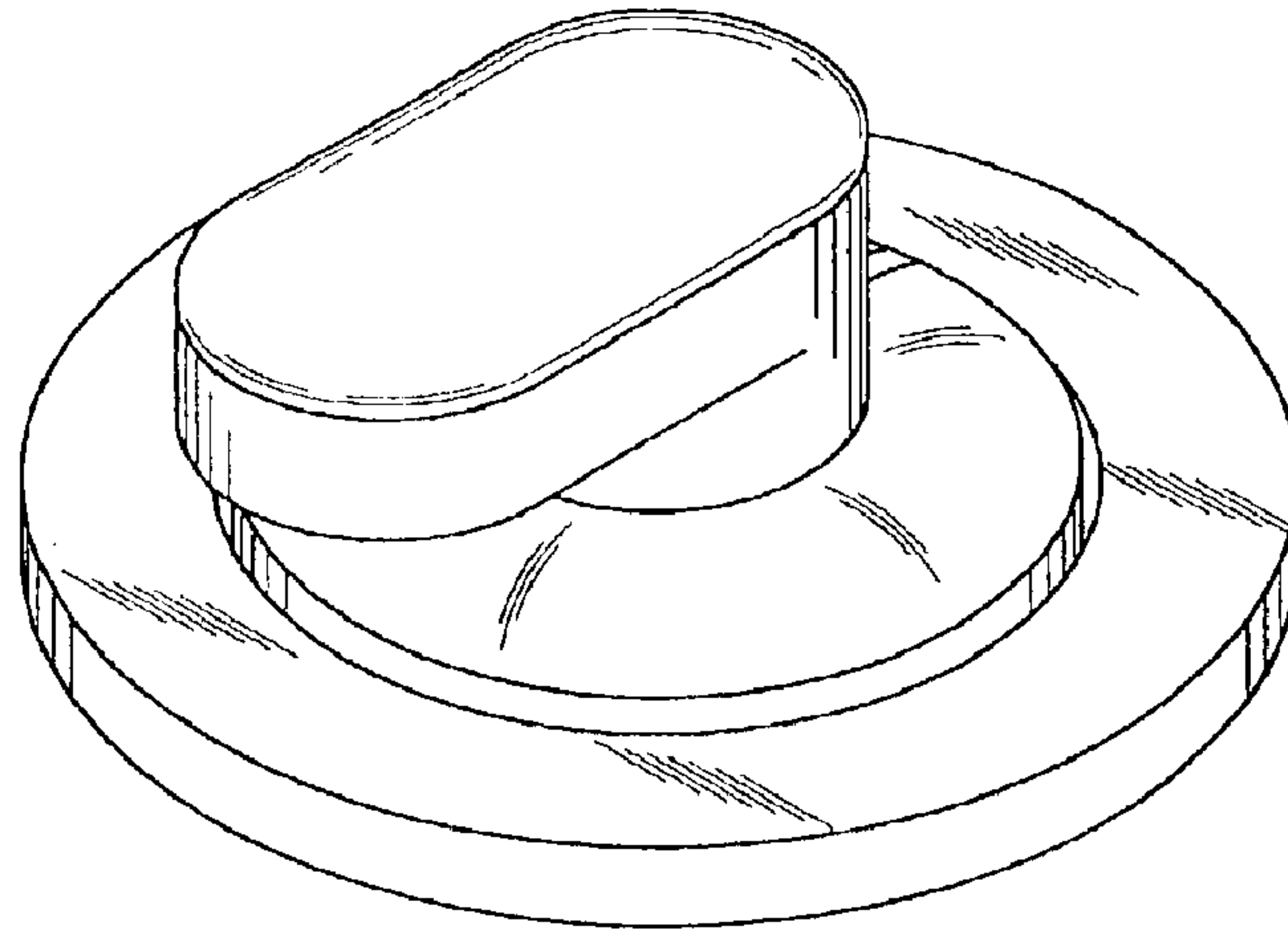
**1 Claim, 3 Drawing Sheets**



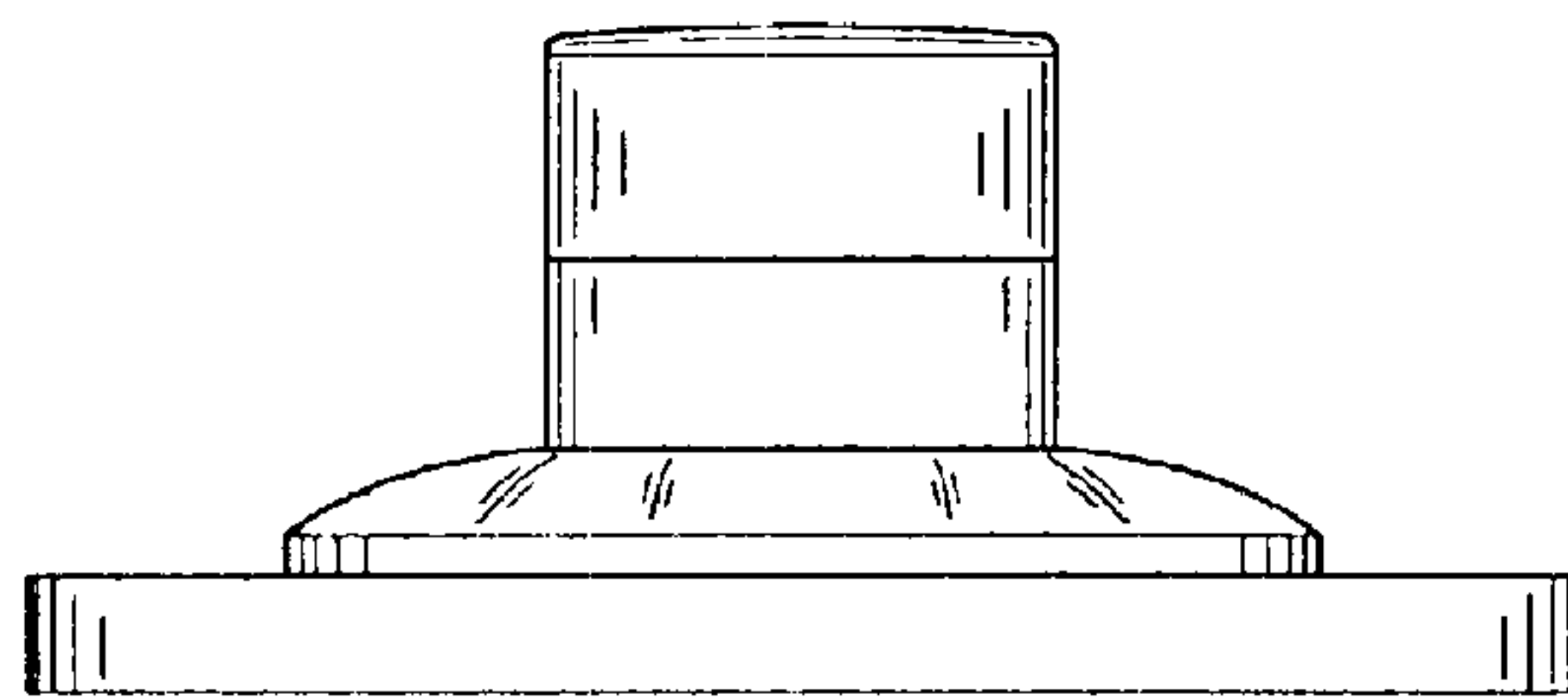
*FIG. 1*



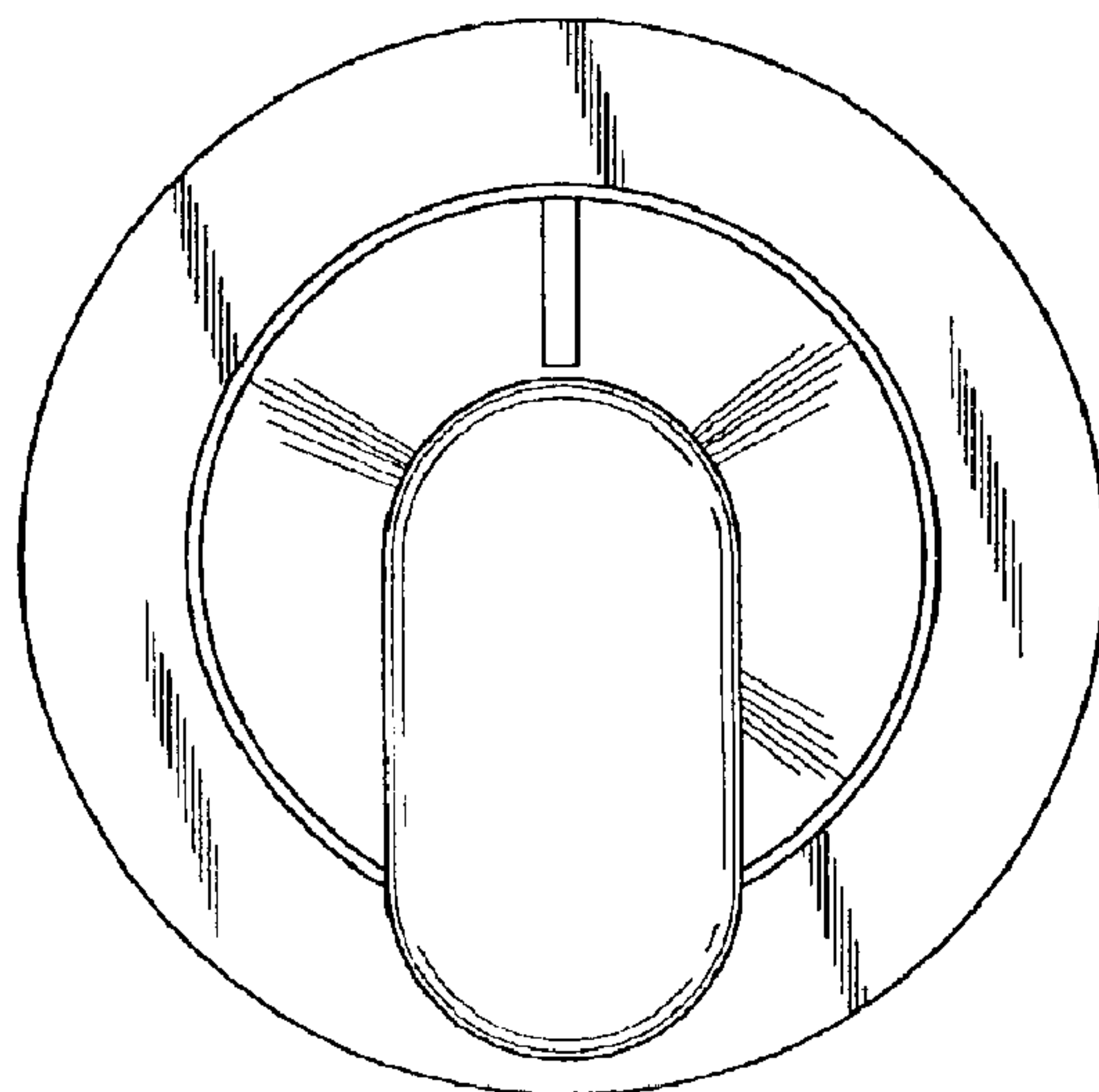
*FIG. 2*



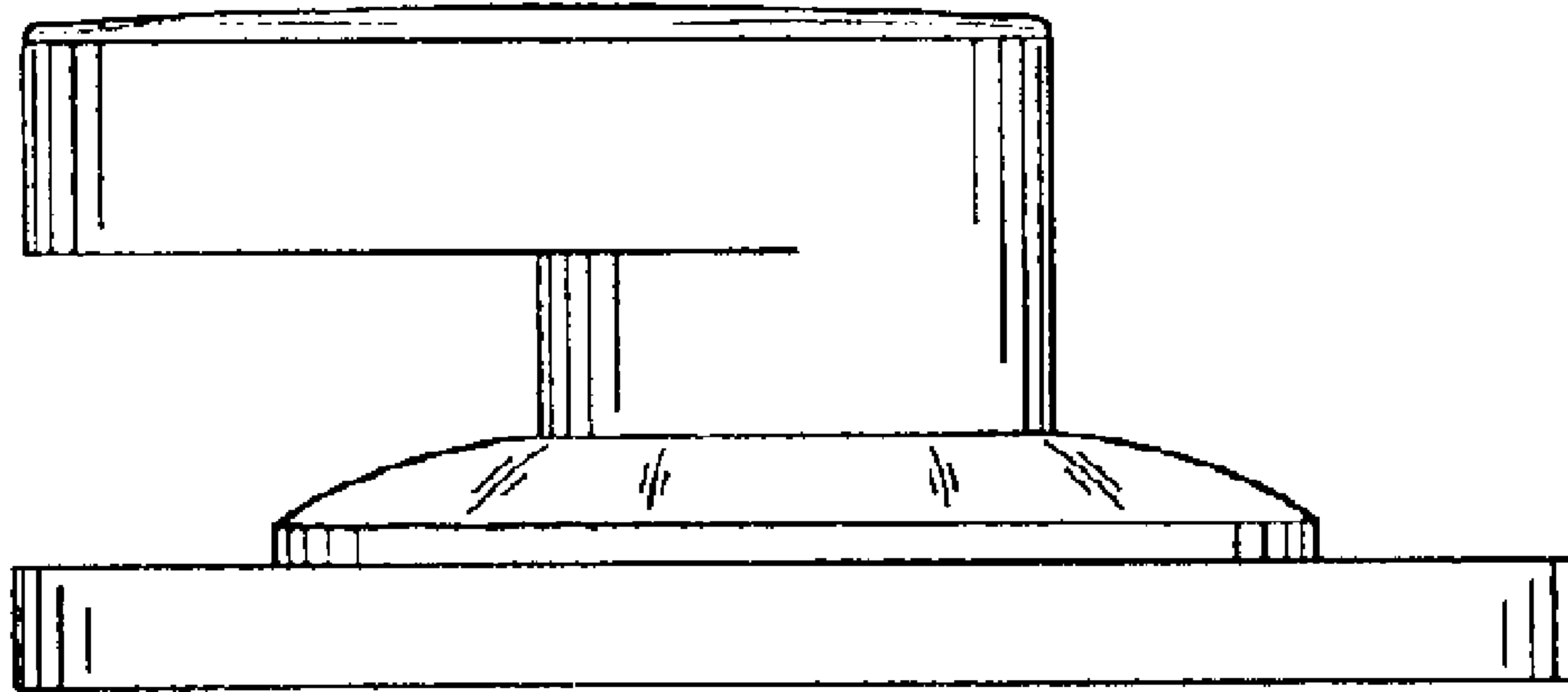
*FIG. 3*



*FIG. 4*



*FIG. 5*



*FIG. 6*

