

US00D504299S

(12) **United States Design Patent**
Leasure et al.

(10) **Patent No.:** **US D504,299 S**
(45) **Date of Patent:** **** Apr. 26, 2005**

- (54) **IMPACT WRENCH**
- (75) Inventors: **Jeremy D. Leasure**, Jackson, TN (US);
Mark A. Etter, Humboldt, TN (US)
- (73) Assignee: **Porter-Cable Corporation**, Jackson,
TN (US)
- (**) Term: **14 Years**
- (21) Appl. No.: **29/205,108**
- (22) Filed: **May 7, 2004**
- (51) **LOC (7) Cl.** **08-05**
- (52) **U.S. Cl.** **D8/68**
- (58) **Field of Search** D8/14.1, 61, 62,
D8/63, 64, 65, 66, 67, 68, 69, 70; 81/57.11,
429, 464, 465, 466, 469, 489; 173/13, 169,
178, 213, 217; 227/8, 114, 120, 130, 136,
142; 310/50; 408/20, 124, 125, 234, 241 R;
451/358

- D410,830 S * 6/1999 Pusateri et al. D8/61
- 6,062,323 A * 5/2000 Pusateri et al. 173/169
- 6,082,468 A * 7/2000 Pusateri et al. 173/169
- D434,958 S * 12/2000 Izumisawa D8/68
- D436,818 S * 1/2001 Izumisawa D8/68
- D441,628 S * 5/2001 Bass et al. D8/68
- 6,338,389 B1 * 1/2002 Chang 173/169
- D458,824 S * 6/2002 Chen D8/68
- D465,982 S * 11/2002 Taga D8/68
- D469,673 S * 2/2003 Sliker et al. D8/68
- D472,782 S * 4/2003 Pusateri et al. D8/68
- D476,210 S * 6/2003 Chen D8/68
- D477,977 S * 8/2003 Liu D8/68
- D482,947 S * 12/2003 Lin D8/68
- D489,240 S * 5/2004 Bartfeld et al. D8/68
- D493,085 S * 7/2004 Copeland et al. D8/68

* cited by examiner

Primary Examiner—Joel A. Sincavage
Assistant Examiner—T. Chase Nelson
(74) *Attorney, Agent, or Firm*—Suiter West PC LLO

(56) **References Cited**

U.S. PATENT DOCUMENTS

- 3,037,740 A * 6/1962 Sheps et al. 173/169
- D205,091 S * 6/1966 Averitt D8/68
- D206,093 S * 10/1966 Averitt D8/68
- 3,352,368 A * 11/1967 Maffey, Jr. 173/169
- D223,134 S * 3/1972 Bunyea D8/68
- 3,924,961 A * 12/1975 Hess et al. 173/169
- D261,222 S * 10/1981 Bunyea D8/68
- D288,769 S * 3/1987 Doman D8/68
- D294,001 S * 2/1988 Greenlee et al. D8/68
- D324,802 S * 3/1992 Caskey et al. D8/68
- D339,726 S * 9/1993 Bruno et al. D8/68
- D403,219 S * 12/1998 Bosten et al. D8/68

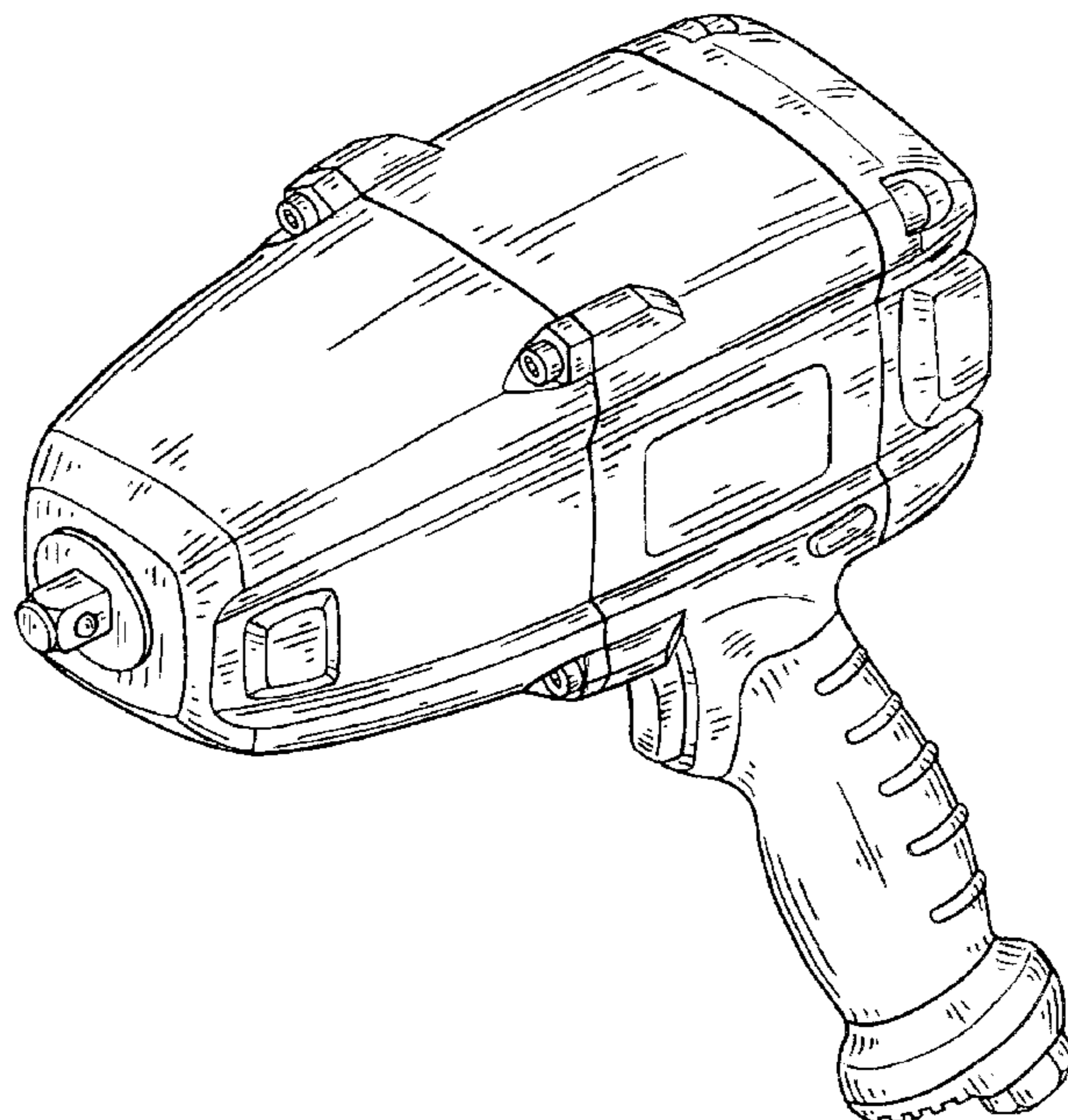
(57) **CLAIM**

We claim the ornamental design for a impact wrench, as shown.

DESCRIPTION

FIG. 1 is an isometric view showing our new design;
FIG. 2 is top plan view showing our new design;
FIG. 3 is a front elevation view thereof;
FIG. 4 is a left side elevation view thereof;
FIG. 5 is rear elevation view thereof;
FIG. 6 is a right side elevation view thereof; and,
FIG. 7 is a bottom plan view thereof.

1 Claim, 3 Drawing Sheets



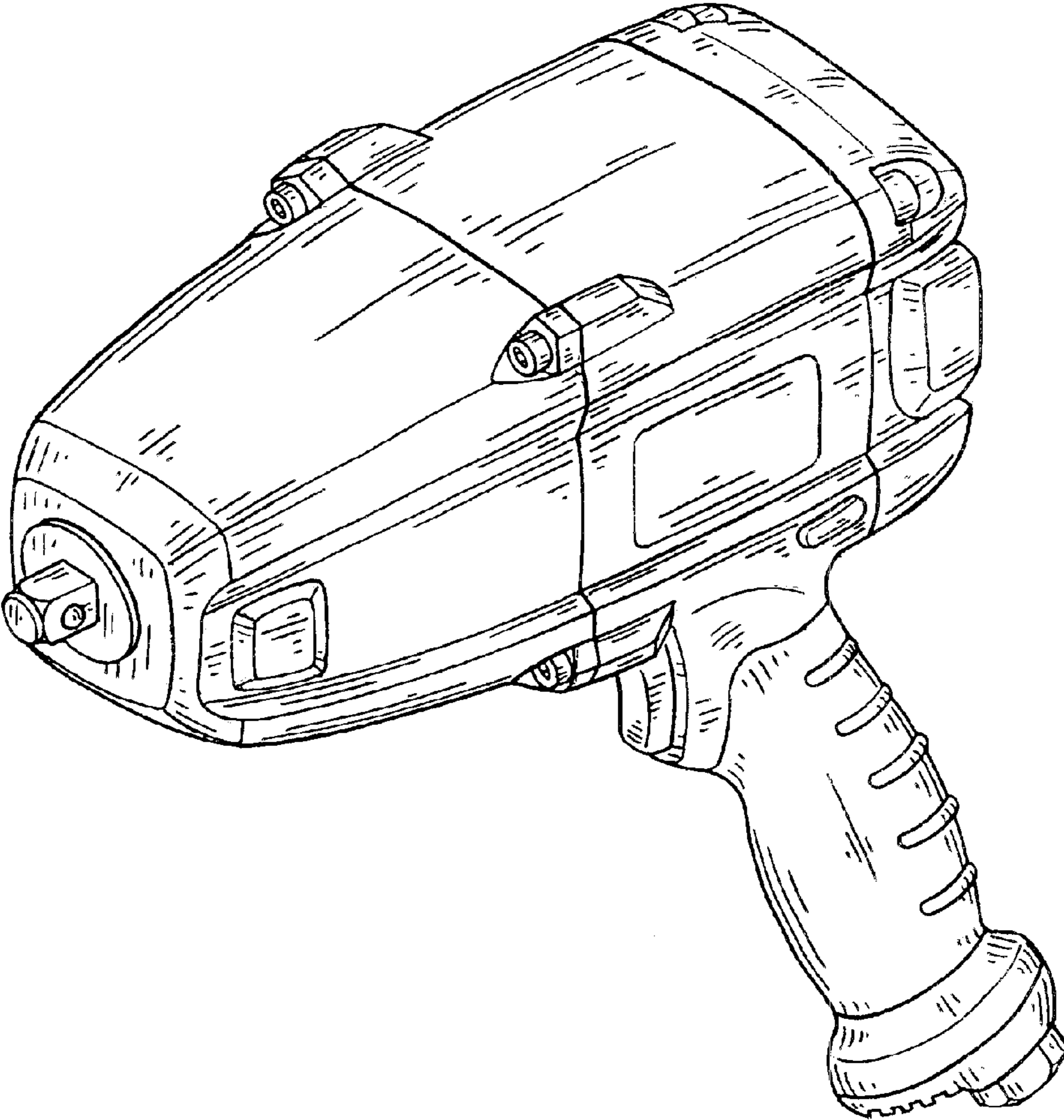


FIG. 1

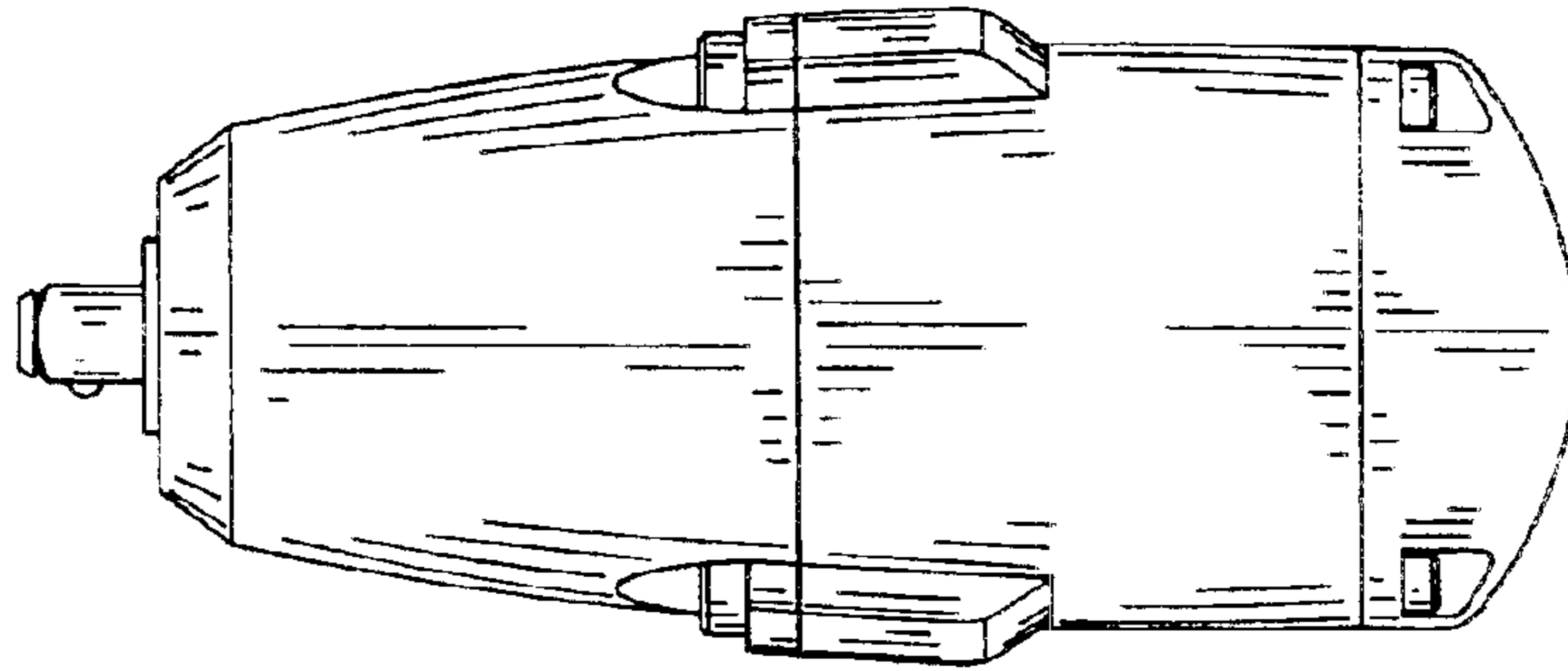


FIG. 2

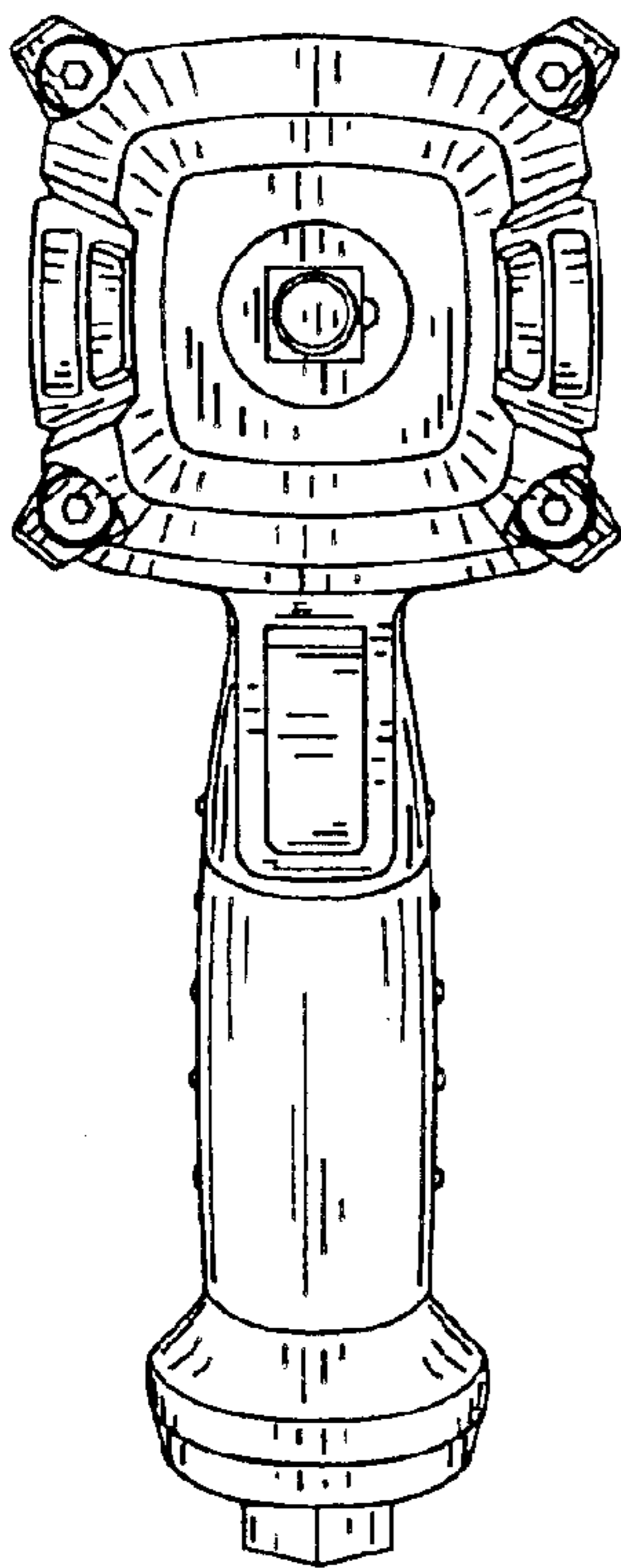


FIG. 3

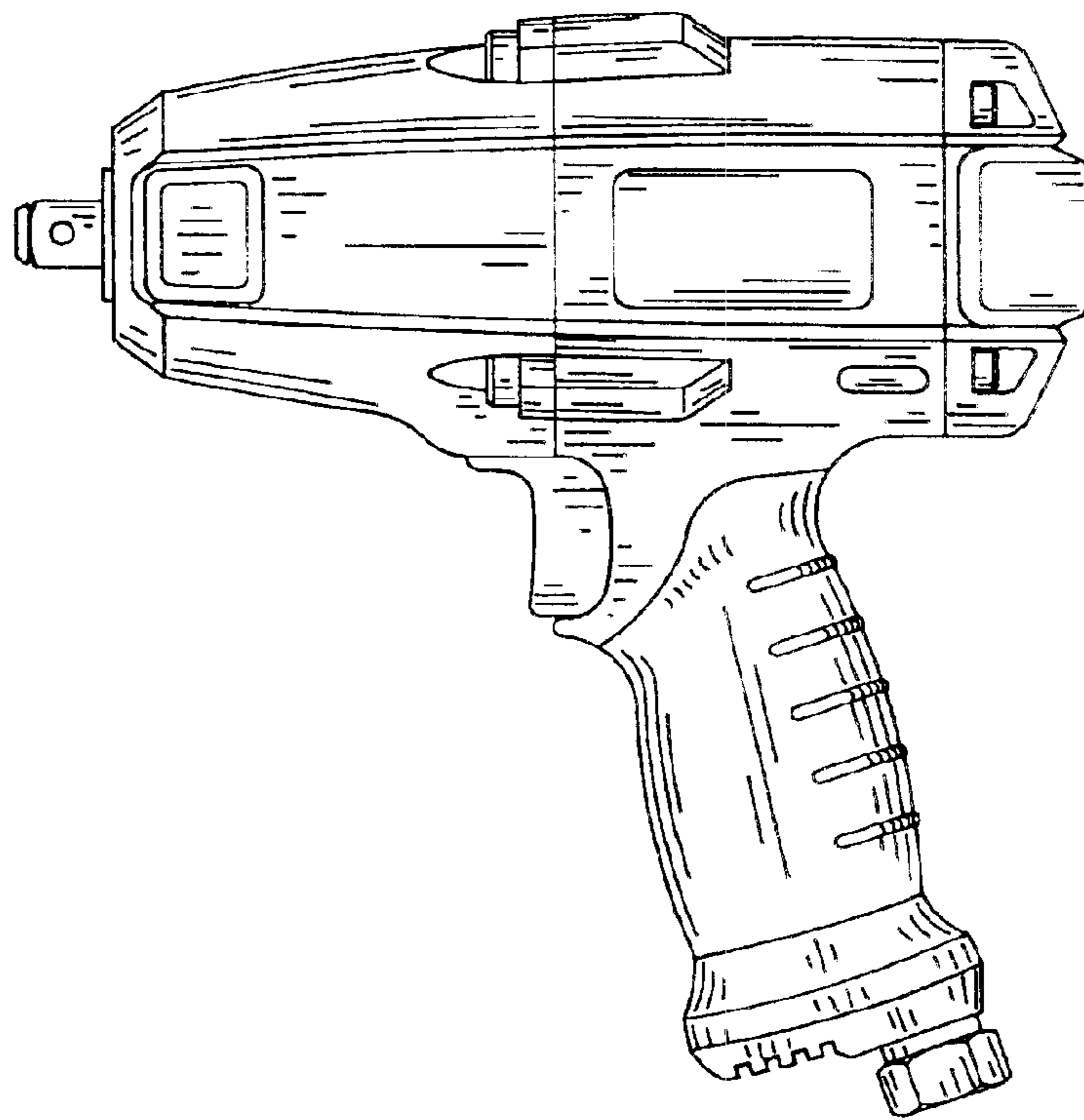


FIG. 4

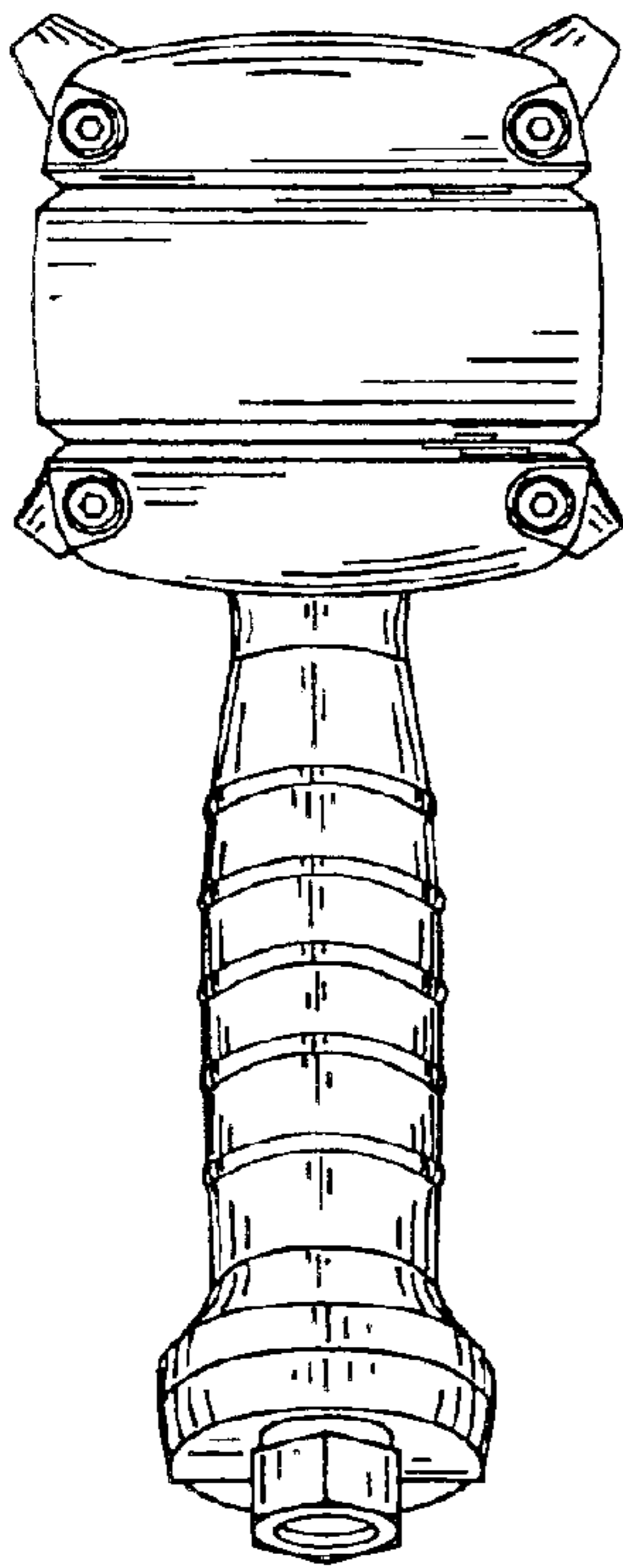


FIG. 5

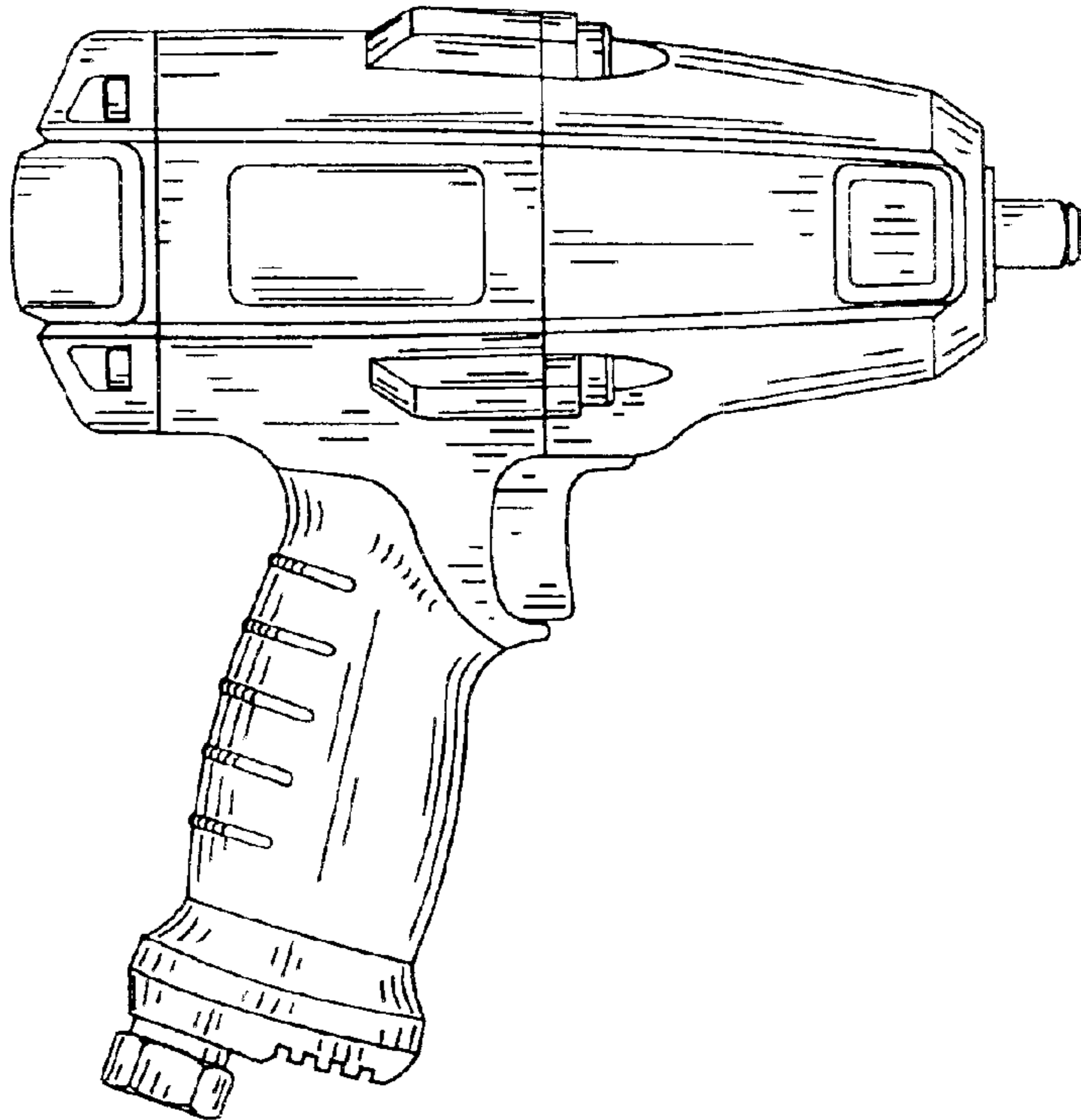


FIG. 6

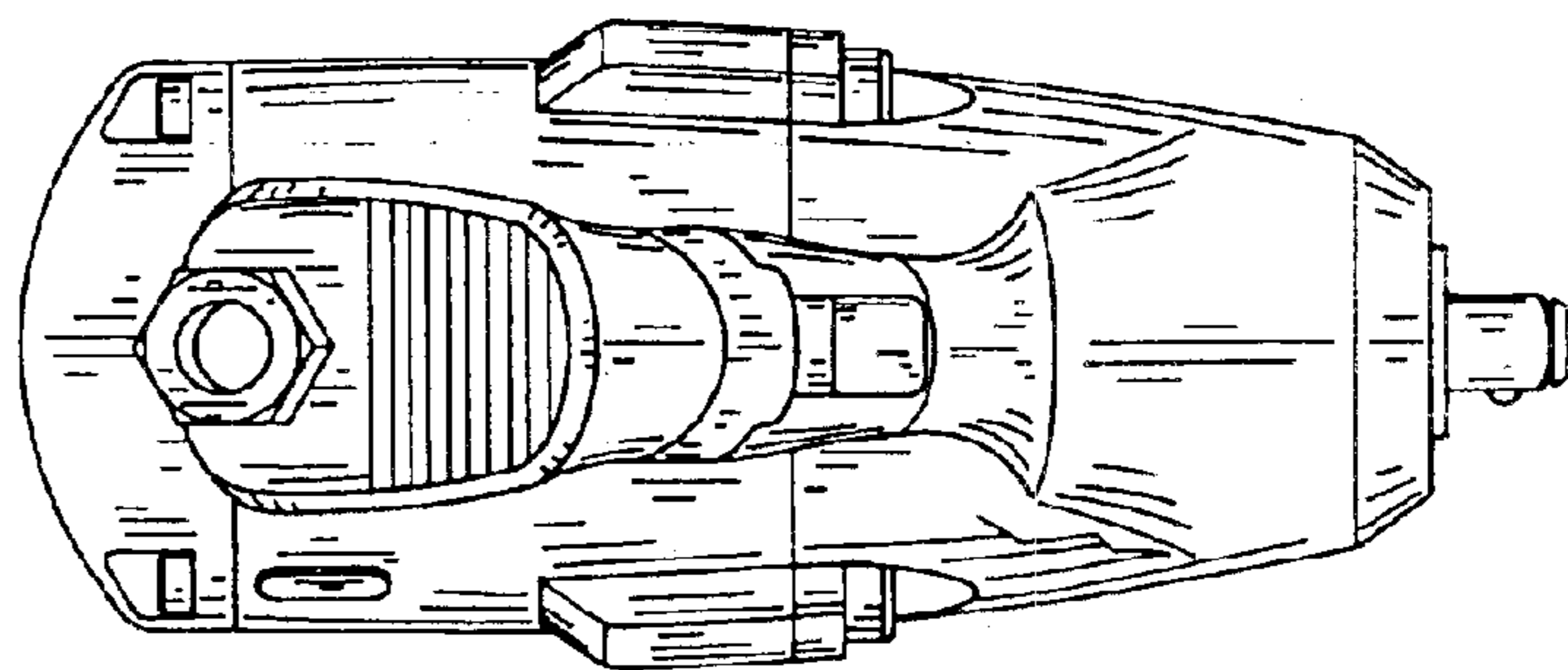


FIG. 7