

US00D504298S

(12) **United States Design Patent**
Bian

(10) **Patent No.:** **US D504,298 S**

(45) **Date of Patent:** **** Apr. 26, 2005**

(54) **CORDLESS DRILL**

(75) **Inventor:** **Xiaoxian Bian, Suzhou (CN)**

(73) **Assignee:** **Positec Power Tools (Suzhou) CO., Ltd., Suzhou (CN)**

(**) **Term:** **14 Years**

(21) **Appl. No.:** **29/177,370**

(22) **Filed:** **Mar. 7, 2003**

(30) **Foreign Application Priority Data**

Sep. 13, 2002 (CN) 02 3 34170.X

(51) **LOC (7) Cl.** **08-01**

(52) **U.S. Cl.** **D8/68**

(58) **Field of Search** D8/14.1, 61, 62,
D8/63, 64, 65, 66, 67, 68, 69, 70; 81/57.11,
429, 464, 465, 466, 469, 489; 173/13, 169,
178, 213, 217; 227/8, 114, 120, 130, 136,
142; 310/50; 408/20, 124, 125, 234, 241 R;
451/358

(56) **References Cited**

U.S. PATENT DOCUMENTS

D402,871 S * 12/1998 Clowers et al. D8/68
D409,467 S * 5/1999 Chung D8/68
D414,667 S * 10/1999 Lee D8/68
D421,883 S * 3/2000 Watson et al. D8/68
D436,511 S * 1/2001 Hayakawa et al. D8/68
6,308,378 B1 * 10/2001 Mooty et al. 81/489
D460,673 S * 7/2002 Heun D8/68

D460,674 S * 7/2002 Heun D8/68
D462,248 S * 9/2002 Cooper D8/68
D464,858 S * 10/2002 Netzler D8/68
D464,859 S * 10/2002 Netzler D8/68
D466,777 S * 12/2002 Watson D8/68
D472,781 S * 4/2003 Netzler D8/68
6,552,904 B1 * 4/2003 Fung 173/217
D479,456 S * 9/2003 Murray et al. D8/68
D482,253 S * 11/2003 Cooper et al. D8/68
D489,955 S * 5/2004 Concari et al. D8/68
D491,437 S * 6/2004 Bian D8/68
2003/0143042 A1 * 7/2003 Doyle et al. 408/124

* cited by examiner

Primary Examiner—Joel A. Sincavage

Assistant Examiner—T. Chase Nelson

(74) *Attorney, Agent, or Firm*—Hedman & Costigan, P.C.

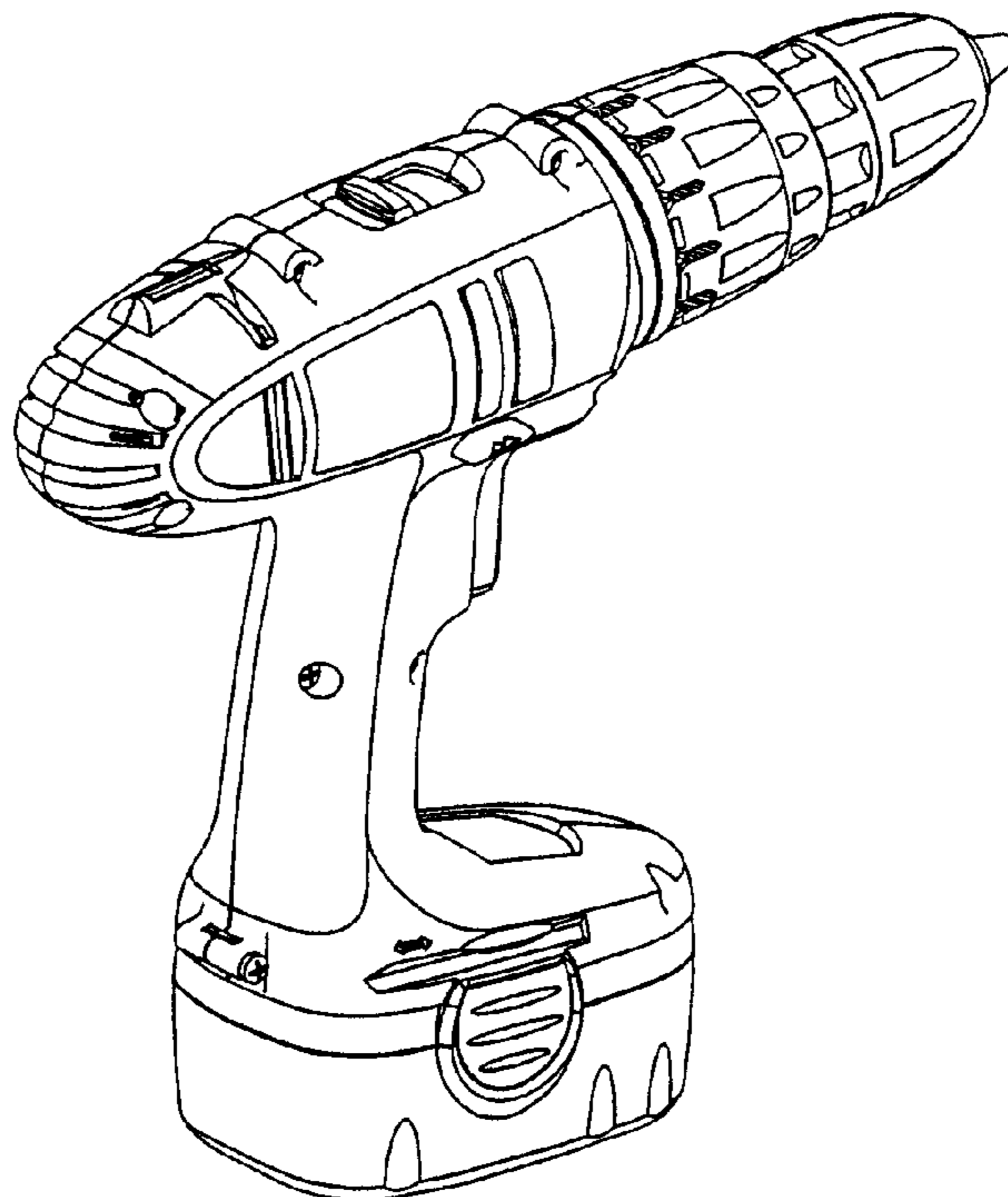
(57) **CLAIM**

The ornamental design for a cordless drill, as shown and described.

DESCRIPTION

FIG. 1 is a front elevation view of the cordless drill, which is the object of the present design;
FIG. 2 is a back elevation view thereof;
FIG. 3 is a left side elevation view thereof;
FIG. 4 is a right side elevation view thereof;
FIG. 5 is a top plan view thereof;
FIG. 6 is a bottom plan view thereof; and,
FIG. 7 is a perspective view thereof.

1 Claim, 4 Drawing Sheets



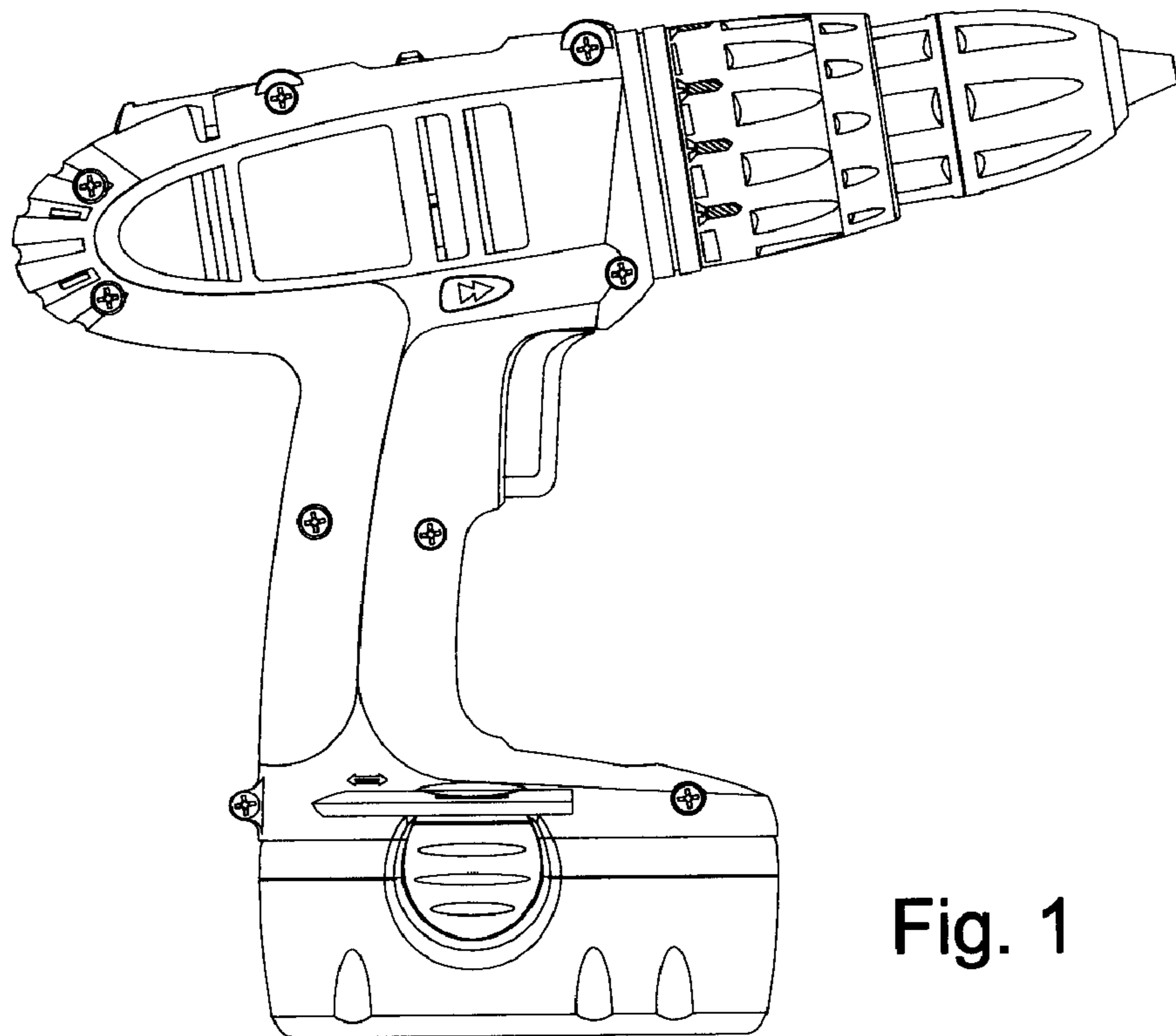


Fig. 1

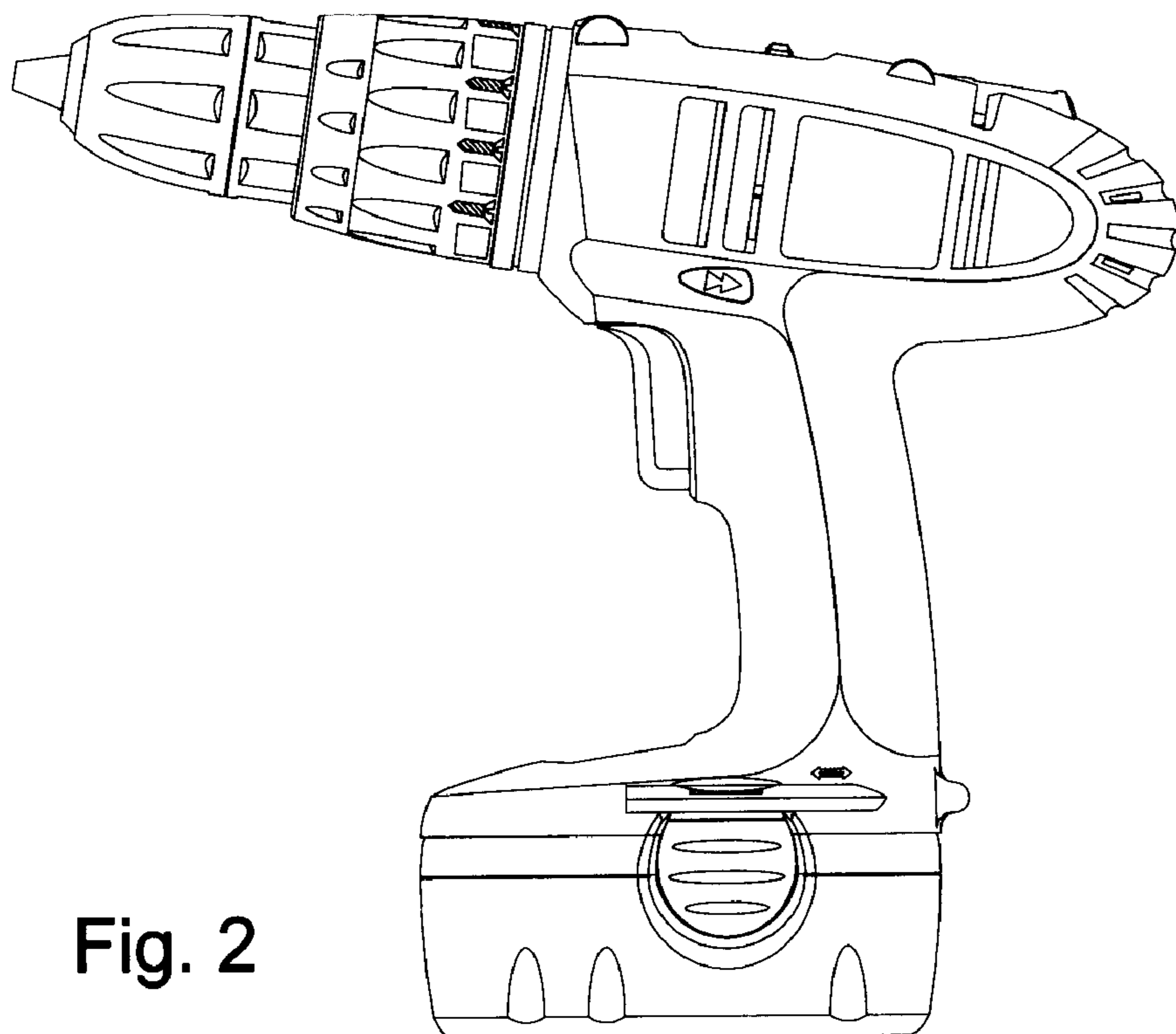


Fig. 2

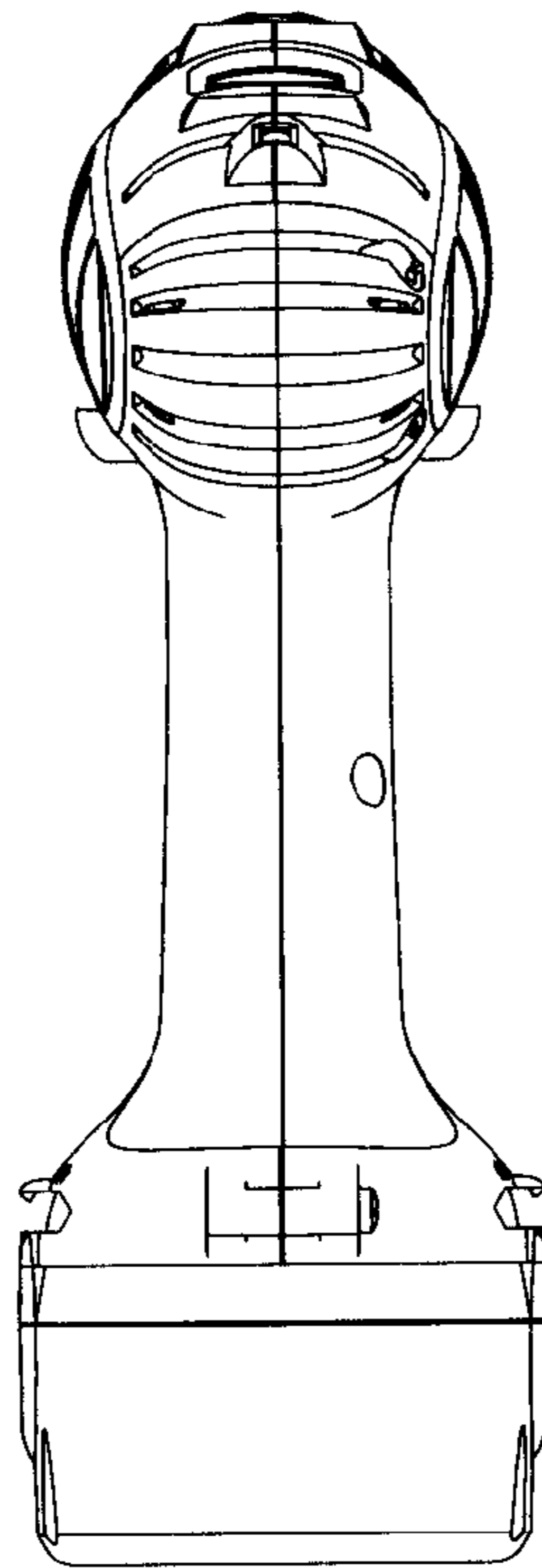


Fig. 3

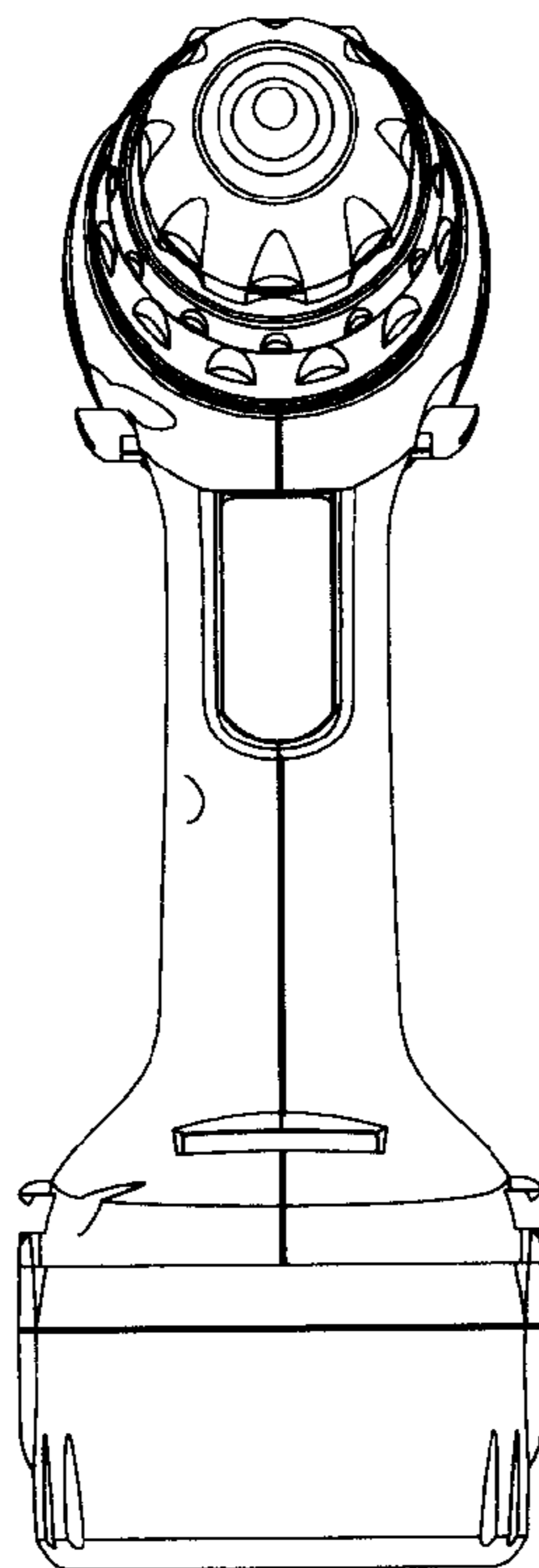


Fig. 4

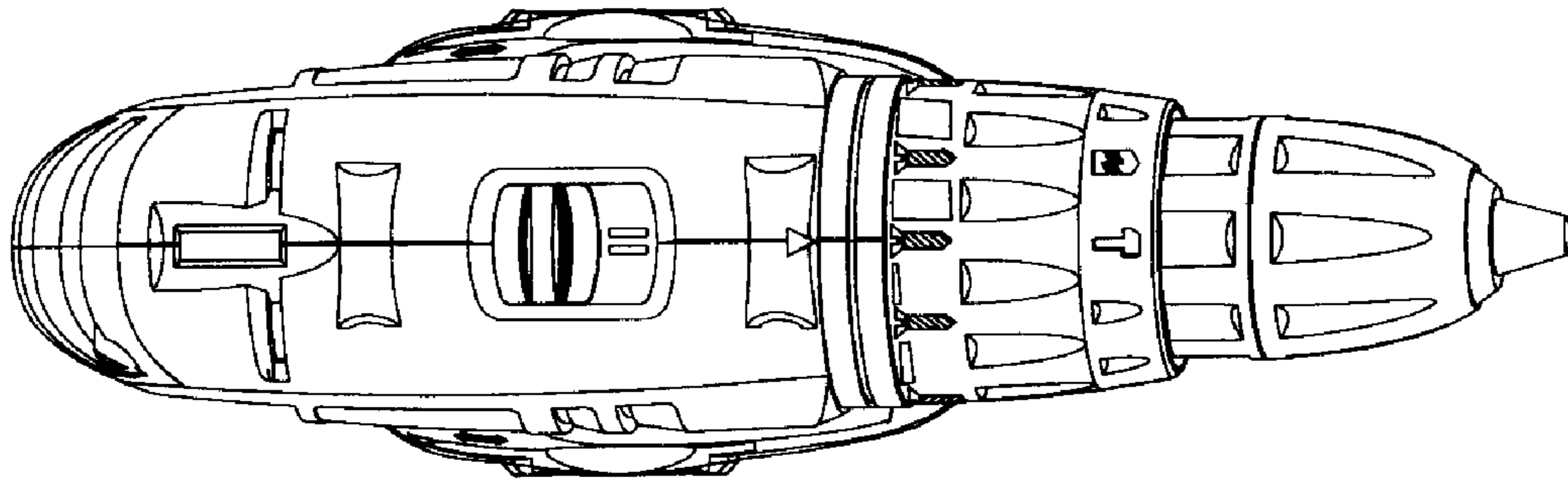


Fig. 5

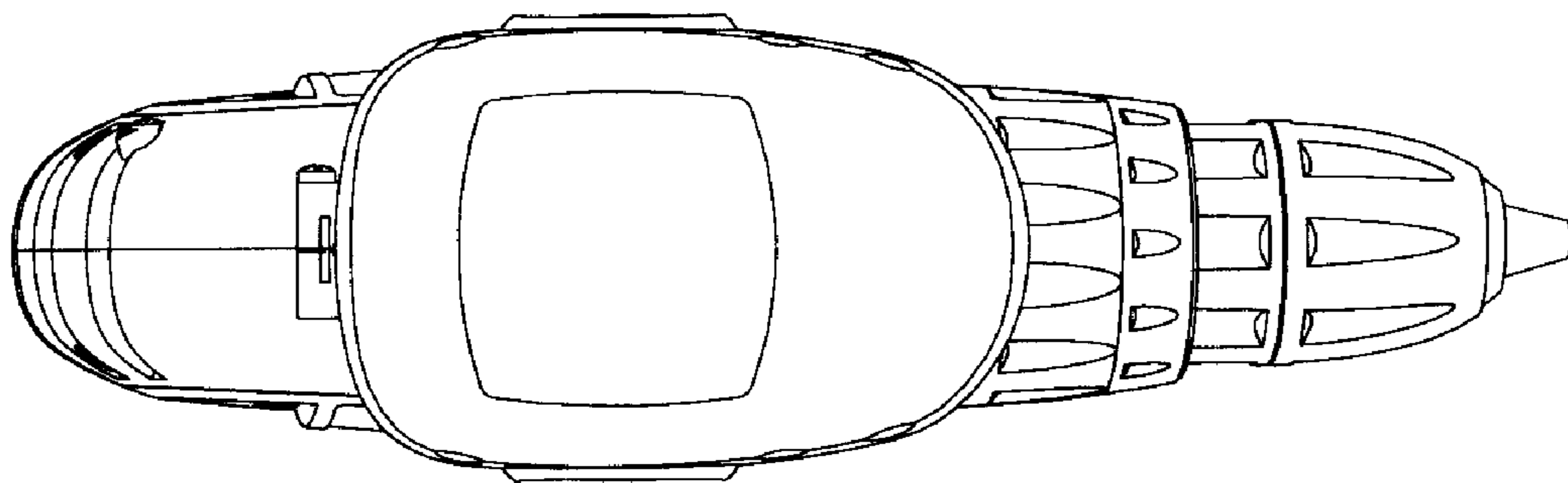


Fig. 6

Fig. 7

