

US00D504297S

(12) **United States Design Patent** (10) **Patent No.:** **US D504,297 S**
Tillman et al. (45) **Date of Patent:** **** Apr. 26, 2005**

(54) **CIRCULAR SAW**

(75) Inventors: **Thomas Shea Tillman**, Anderson, SC (US); **Kenneth M. Brazell**, Piedmont, SC (US); **Taku Ohi**, Greer, SC (US); **Jay A. Goddard**, Easley, SC (US); **David E. Dutterer**, Williamston, SC (US)

(73) Assignee: **One World Technologies, Limited**, Hamilton (BE)

(**) Term: **14 Years**

(21) Appl. No.: **29/193,418**

(22) Filed: **Nov. 6, 2003**

(51) **LOC (7) Cl.** **08-03**

(52) **U.S. Cl.** **D8/66**

(58) **Field of Search** D8/61, 64, 66, D8/67, 68, 69; 30/373, 374, 375, 376, 377, 388, 390, 391, 166.3, 389; 125/13.01; 144/218

(56) **References Cited**

U.S. PATENT DOCUMENTS

D281,663 S	*	12/1985	Tsuru et al.	D8/66
4,787,145 A	*	11/1988	Klicker et al.	30/275.4
4,870,758 A	*	10/1989	Fushiya	30/388
4,876,797 A	*	10/1989	Zapata	30/388
4,939,843 A	*	7/1990	Rogers	30/388

D315,854 S	*	4/1991	Kawakami et al.	D8/66
5,361,501 A	*	11/1994	Fajnsztajn	30/391
5,850,697 A	*	12/1998	Welch	30/391
5,930,903 A	*	8/1999	Hurn et al.	30/391
6,484,410 B1	*	11/2002	Meastas	30/373
D475,265 S	*	6/2003	Hatch et al.	D8/66
2003/0220060 A1	*	11/2003	Bures et al.	451/456

* cited by examiner

Primary Examiner—Joel A. Sincavage

Assistant Examiner—Elizabeth Albert

(74) *Attorney, Agent, or Firm*—John B. Hardaway, III; Nexsen Pruet, LLC

(57) **CLAIM**

The ornamental design for a circular saw, as shown and described.

DESCRIPTION

FIG. 1 is a front left perspective view of the circular saw of the present invention;

FIG. 2 is a rear perspective view thereof;

FIG. 3 is a front right perspective view thereof;

FIG. 4 is a right side elevational view thereof;

FIG. 5 is a left side elevational view thereof;

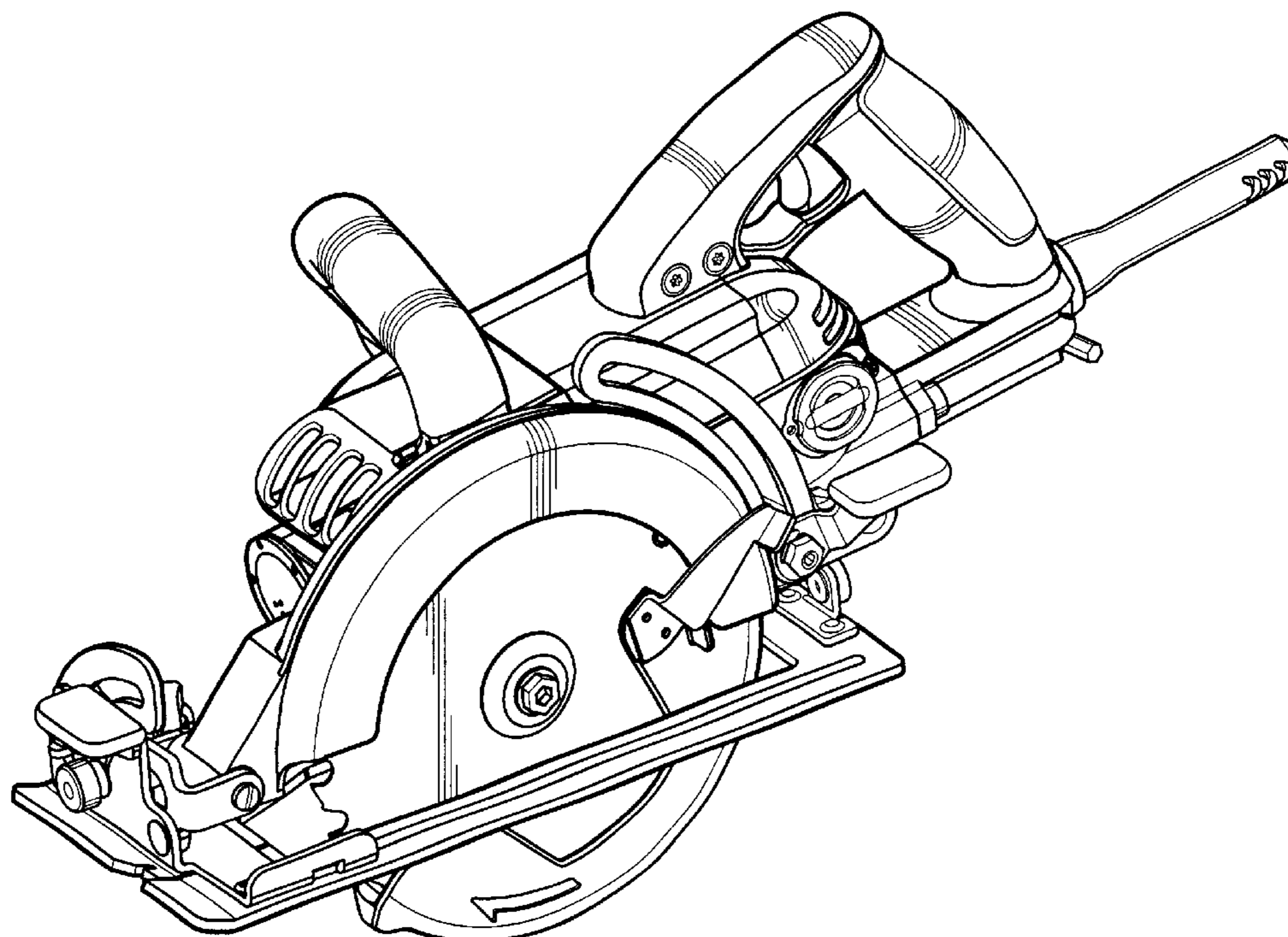
FIG. 6 is a rear end view thereof;

FIG. 7 is a front-end view thereof;

FIG. 8 is a top view thereof; and,

FIG. 9 is a bottom view thereof.

1 Claim, 4 Drawing Sheets



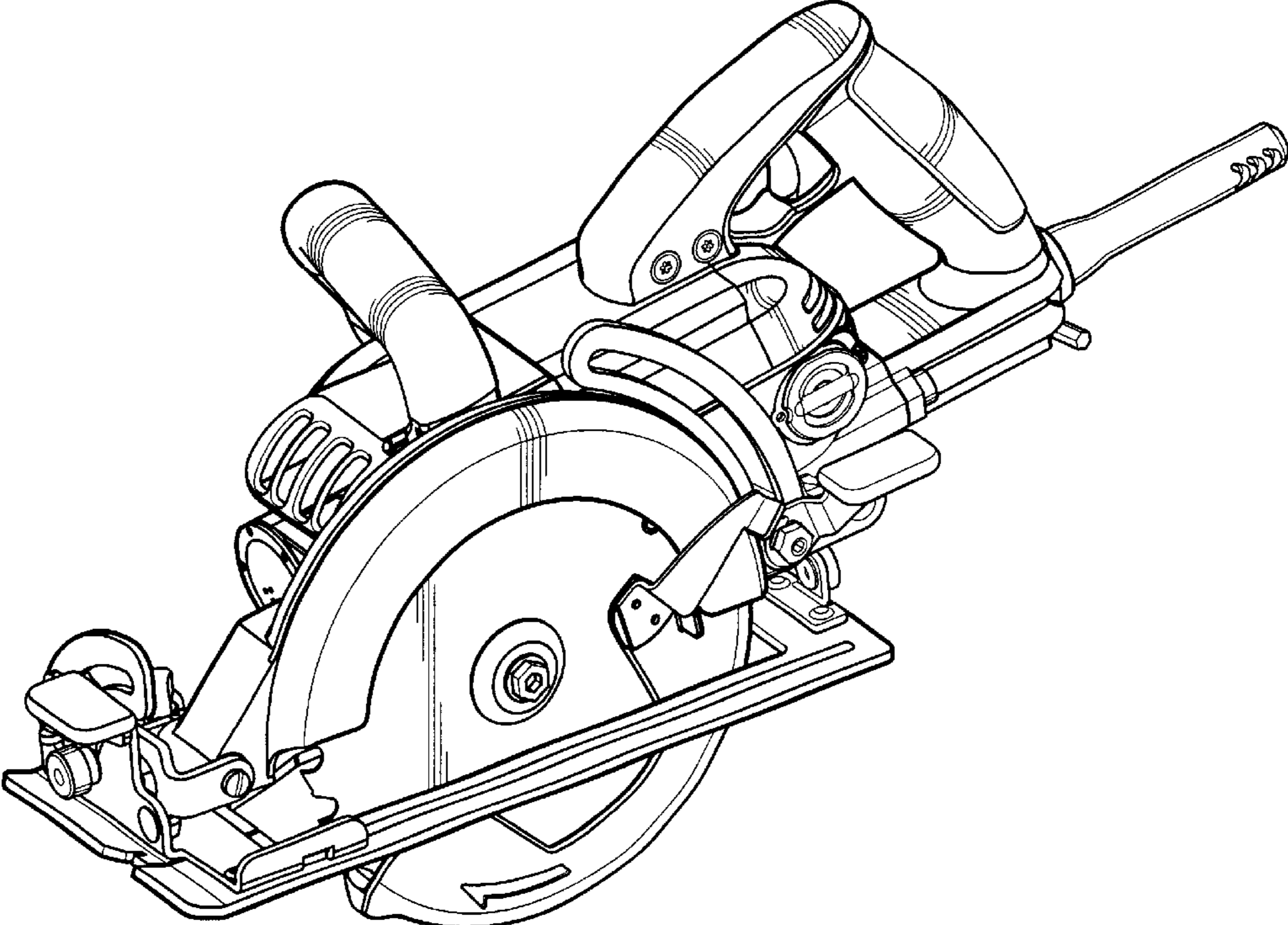


FIG. 1

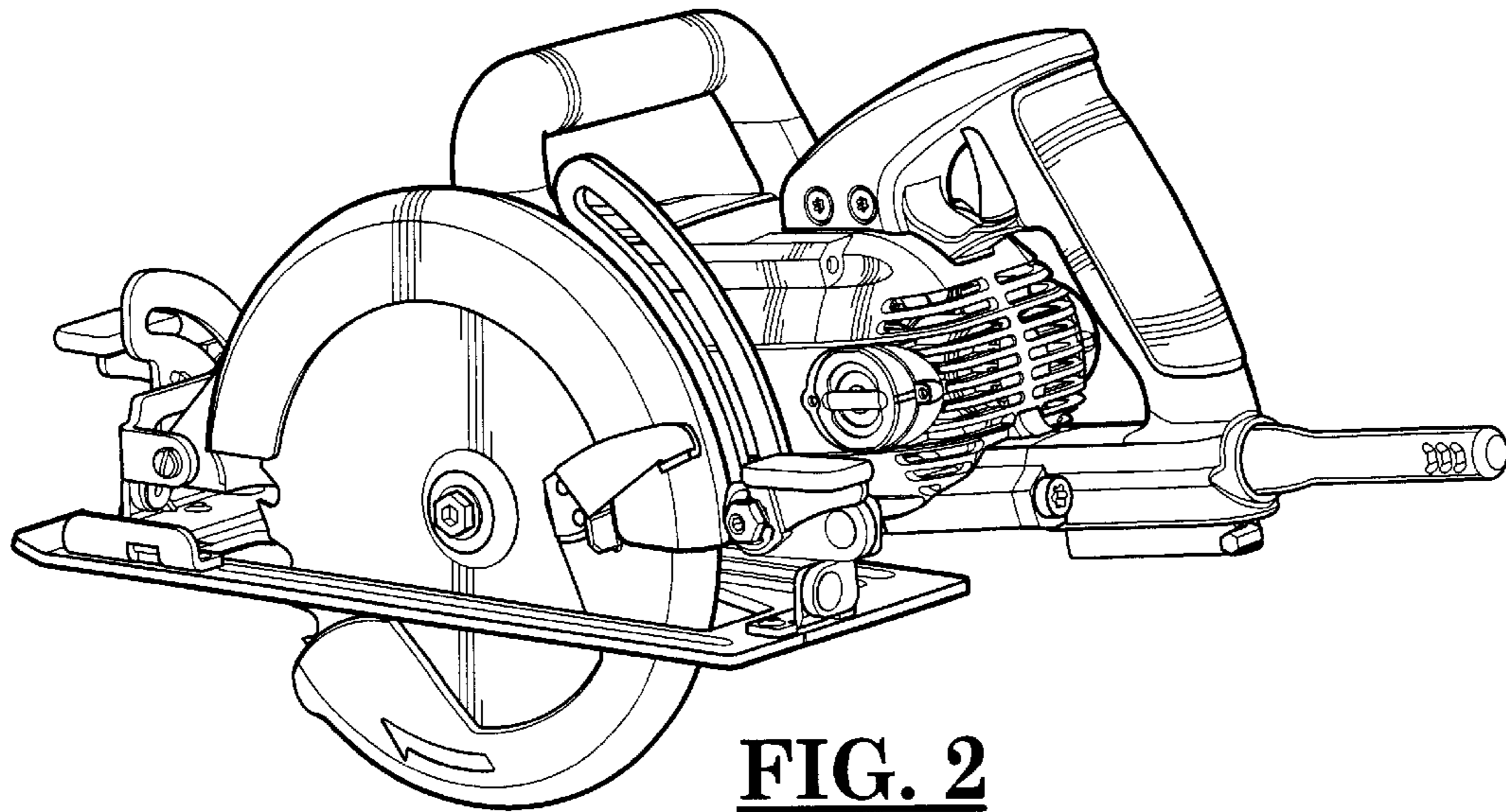


FIG. 2

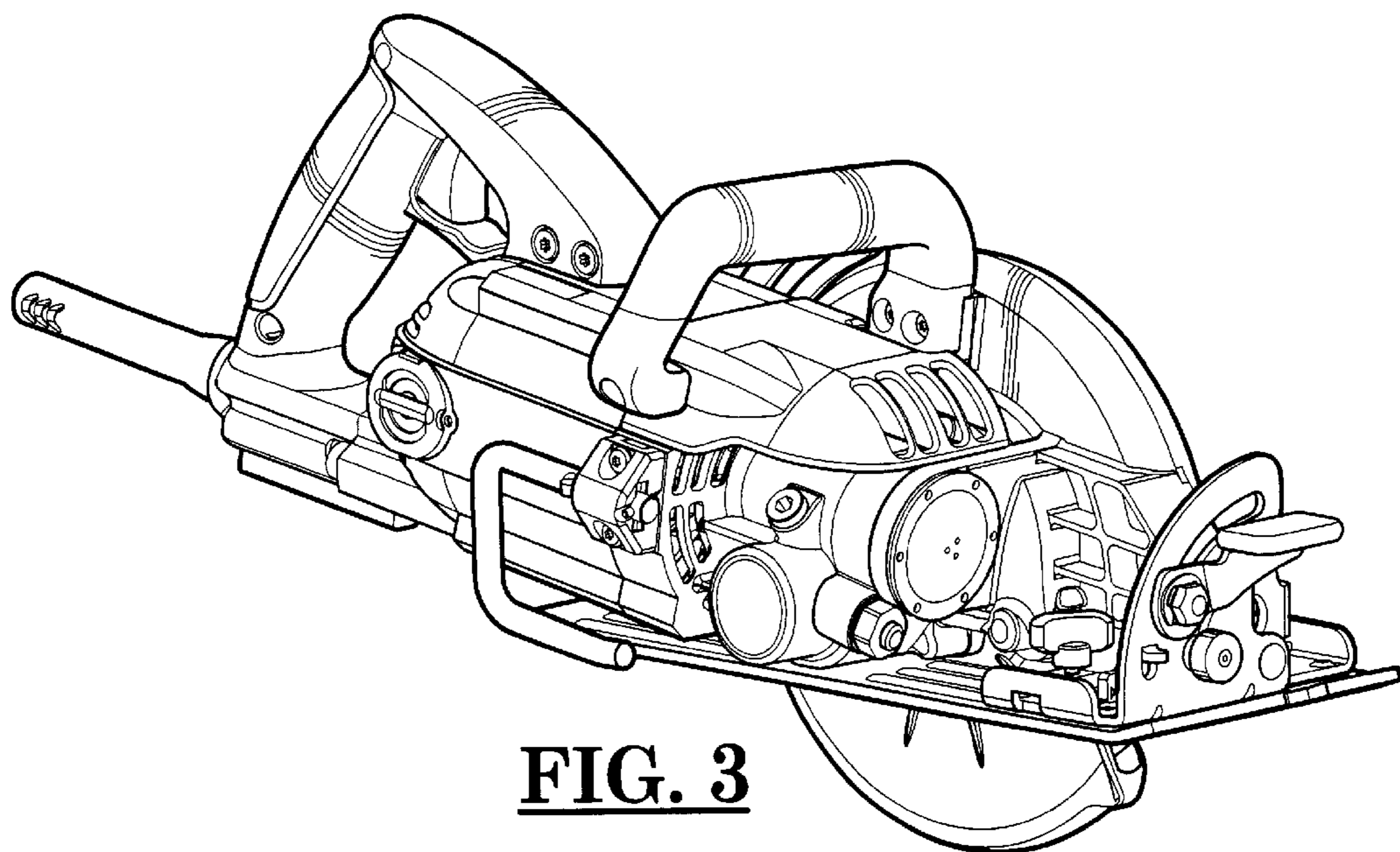


FIG. 3

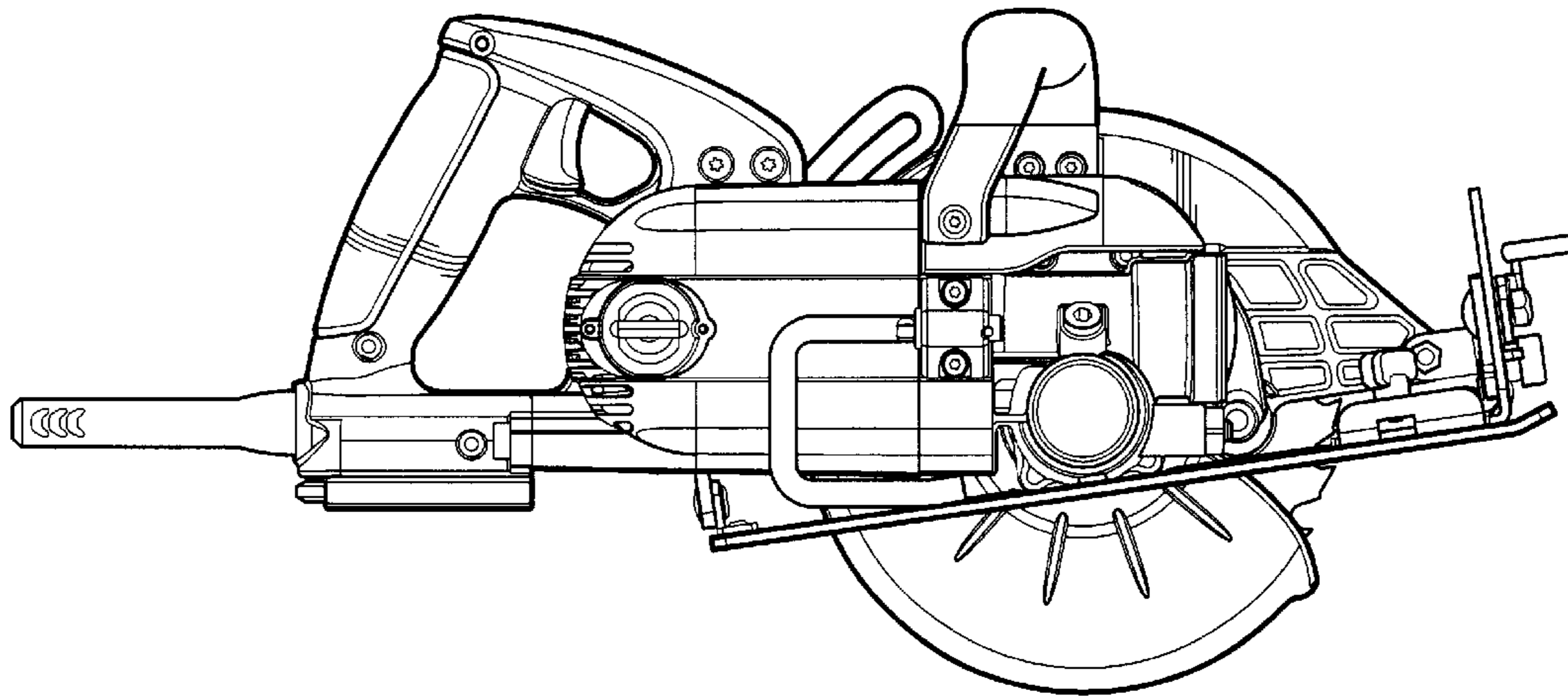


FIG. 4

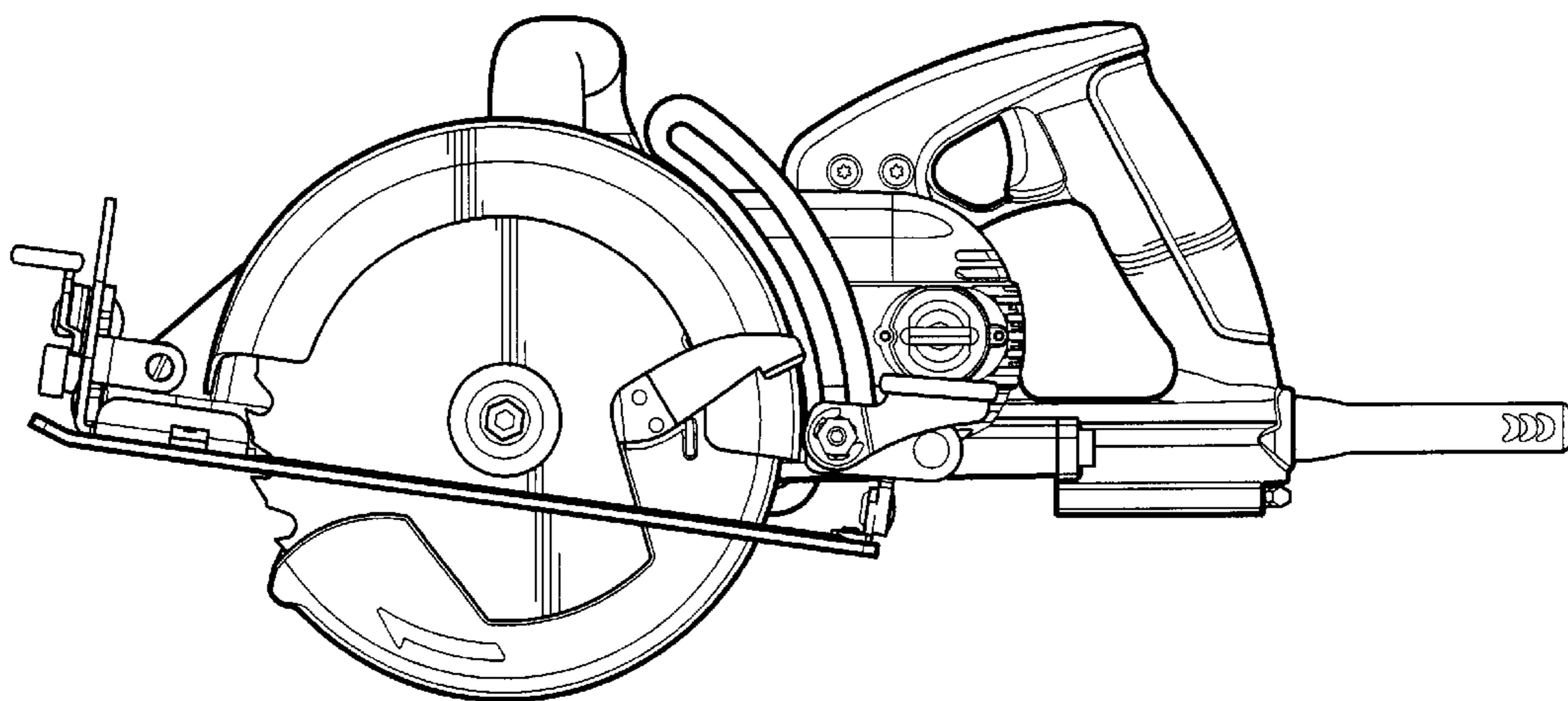


FIG. 5

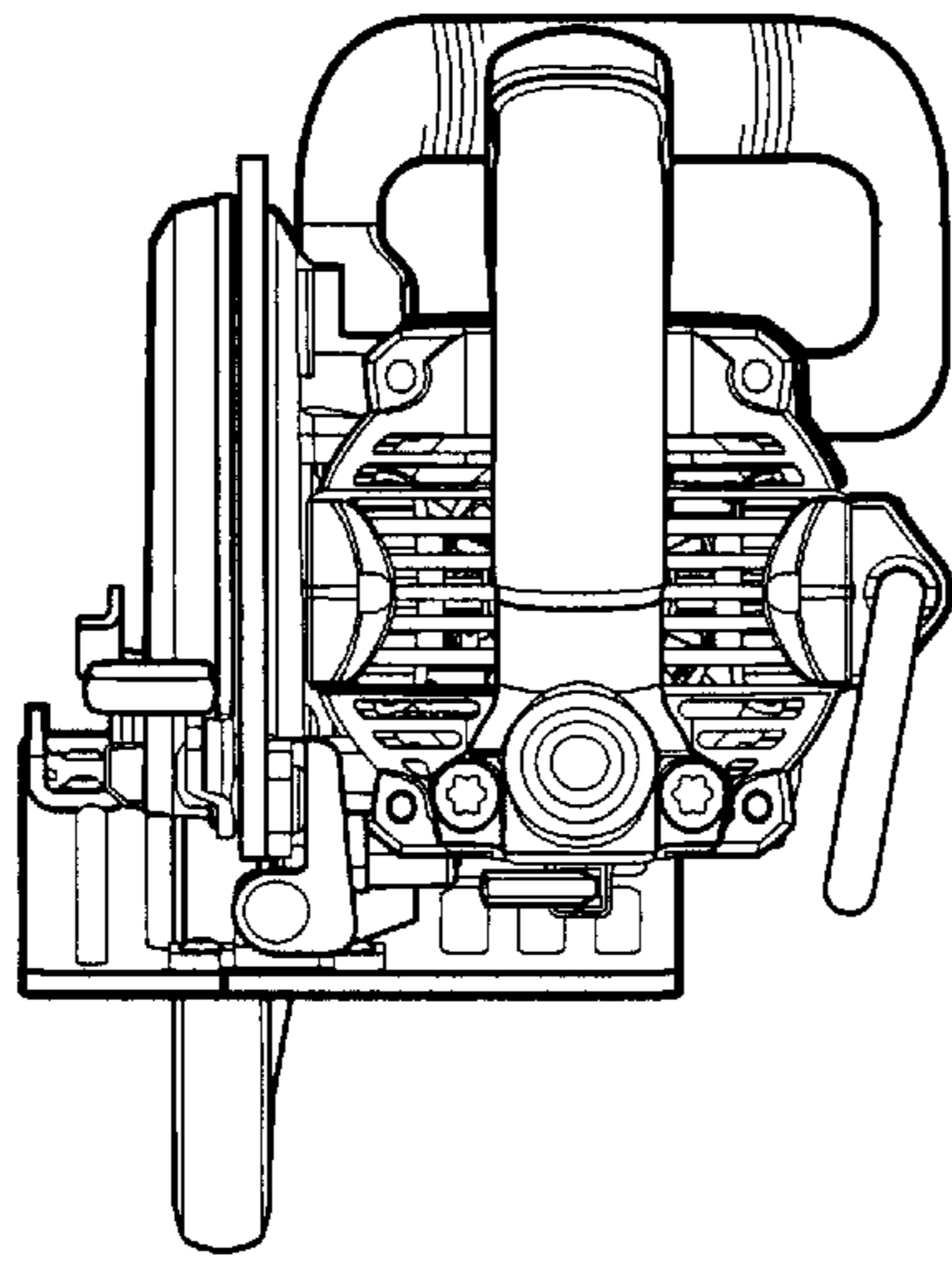


FIG. 6

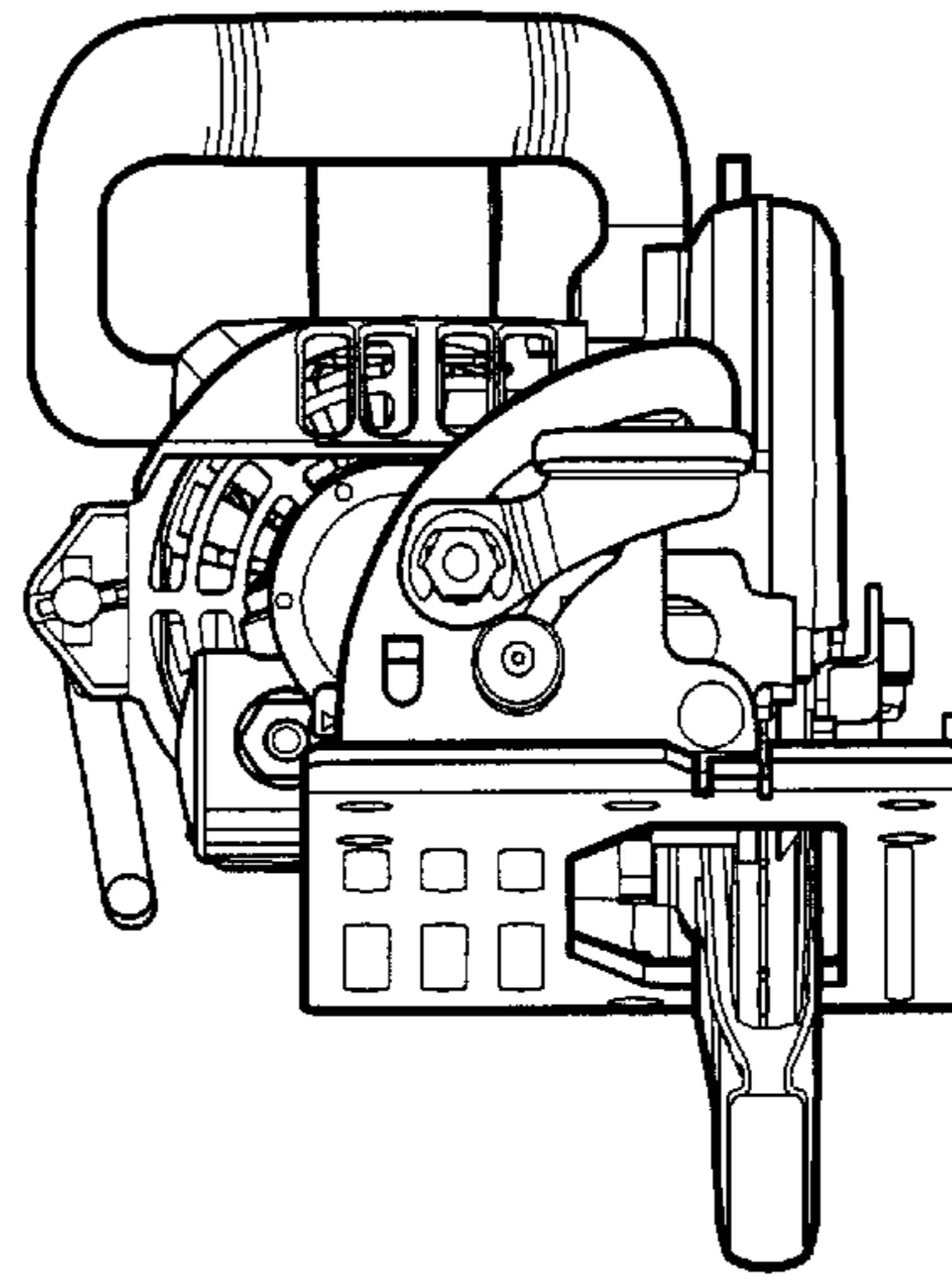


FIG. 7

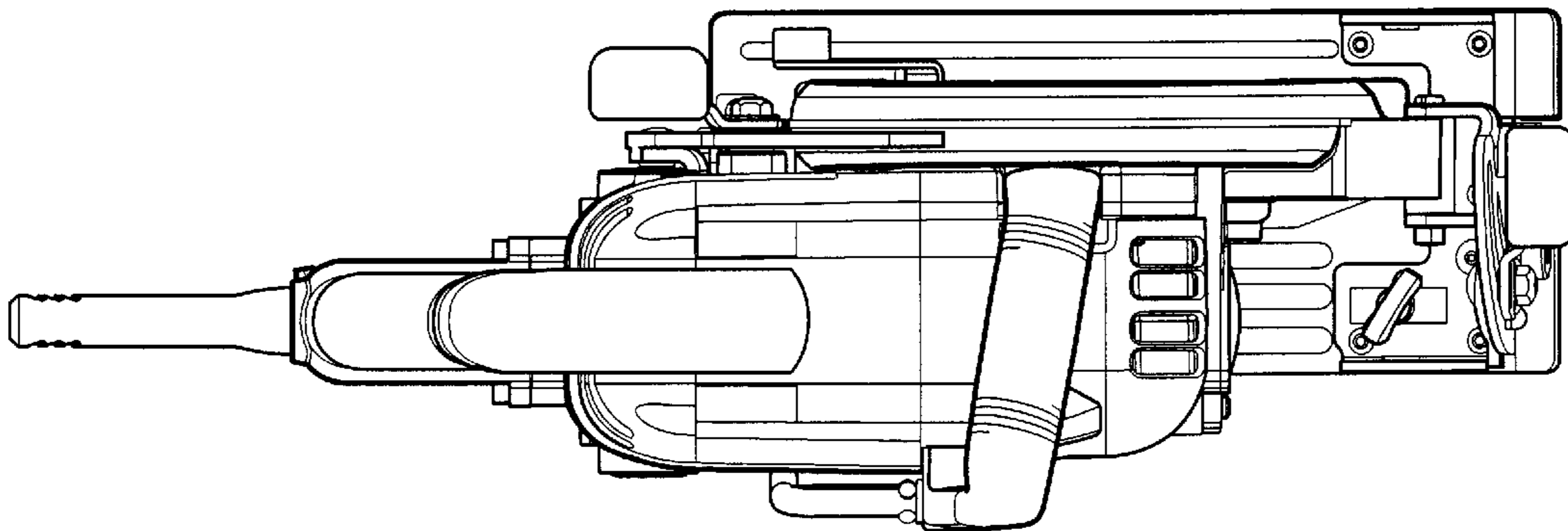


FIG. 8

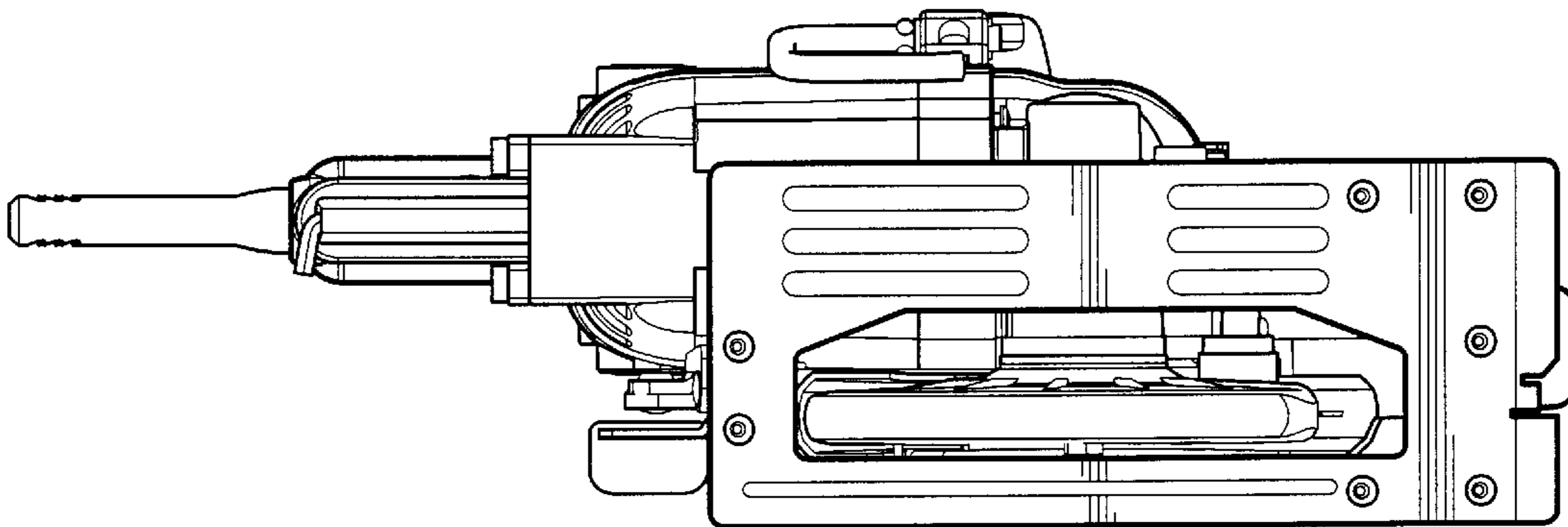


FIG. 9