

US00D504296S

(12) **United States Design Patent**
Chen

(10) **Patent No.:** **US D504,296 S**

(45) **Date of Patent:** **** Apr. 26, 2005**

(54) **CRIMPING TOOL FOR COAXIAL CABLE**

(75) **Inventor:** **Ching-Jen Chen, Taipei Hsien (TW)**

(73) **Assignee:** **Li-Yao Industrial Co., Ltd., Taipei Hsien (TW)**

(**) **Term:** **14 Years**

(21) **Appl. No.:** **29/208,011**

(22) **Filed:** **Jun. 24, 2004**

(51) **LOC (7) Cl. 08-05**

(52) **U.S. Cl. D8/52**

(58) **Field of Search D8/51, 53, 60,**
D8/54-58; 29/751; 81/9.4, 9.41-9.44, 418,
421-423; 30/90.1, 90.4, 90.6, 91.1, 91.2;
72/409.08, 409.14, 409.19

(56) **References Cited**

U.S. PATENT DOCUMENTS

2,480,107	A	*	8/1949	Baldwin et al.	30/90.1
4,116,092	A	*	9/1978	Wheeler	81/9.43
D285,527	S	*	9/1986	Schwartz	D8/105
5,201,254	A	*	4/1993	Davies	81/9.42

5,845,393	A	*	12/1998	DePaiva	29/751
5,941,120	A	*	8/1999	Jee	72/409.14
6,112,404	A	*	9/2000	Tarpill	29/751
6,698,090	B1	*	3/2004	Hsu	29/751

* cited by examiner

Primary Examiner—Clare E Heflin

(74) *Attorney, Agent, or Firm*—Harness, Dickey & Pierce, PLC

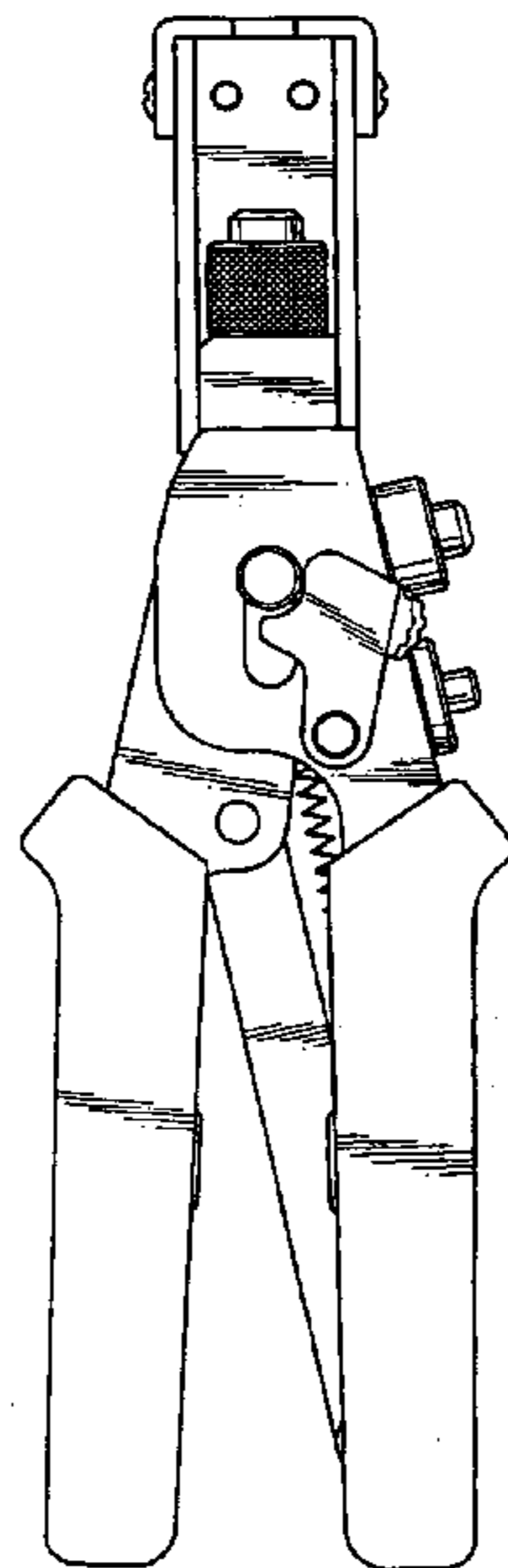
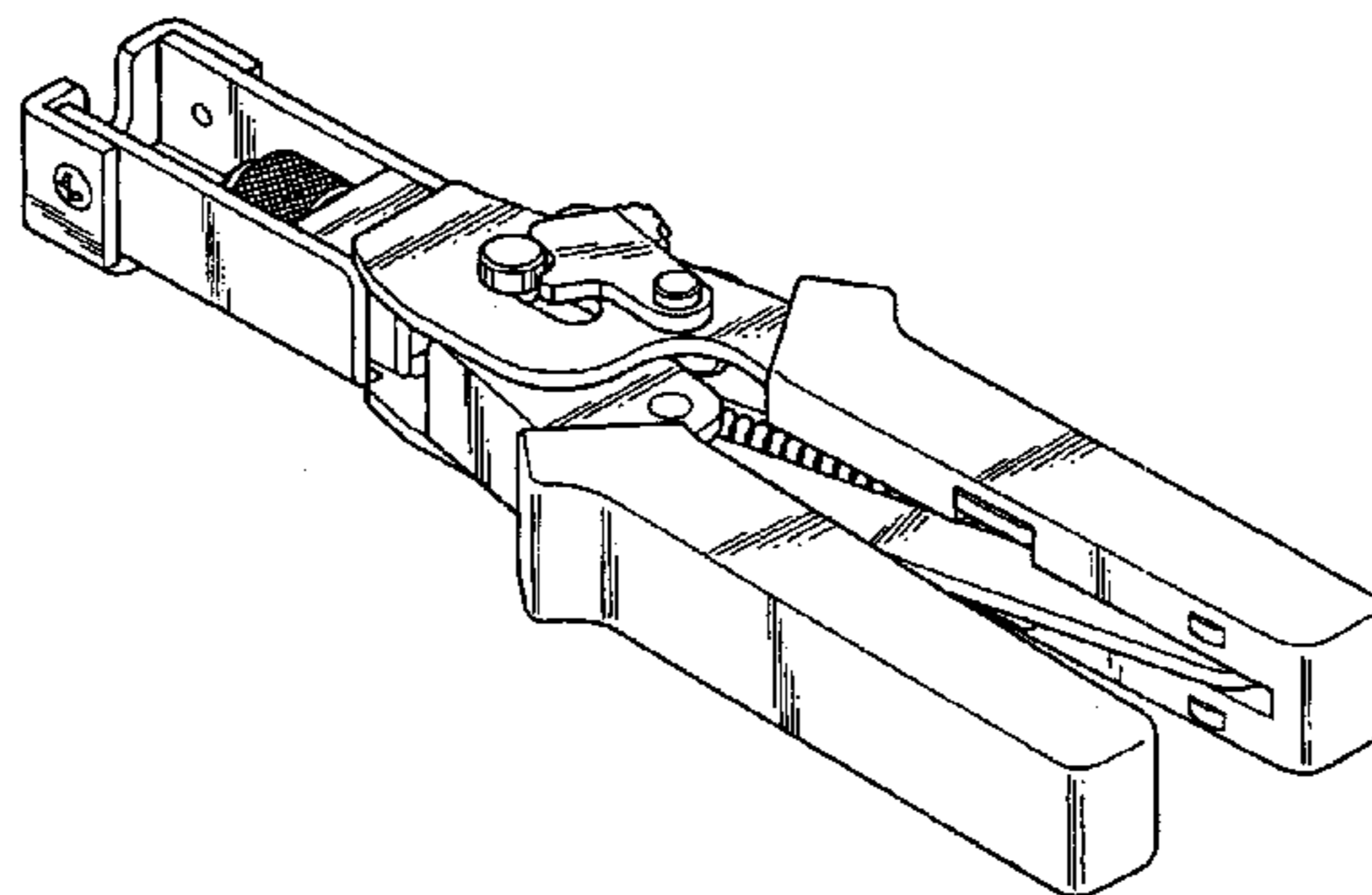
(57) **CLAIM**

The ornamental design for a crimping tool for coaxial cable, as shown and described.

DESCRIPTION

FIG. 1 is a perspective view of a crimping tool for coaxial cable showing our new design;
FIG. 2 is a front view thereof;
FIG. 3 is a rear view thereof;
FIG. 4 is a right side elevational view thereof;
FIG. 5 is a left side elevational view thereof;
FIG. 6 is a top view thereof; and,
FIG. 7 is a bottom view thereof.

1 Claim, 5 Drawing Sheets



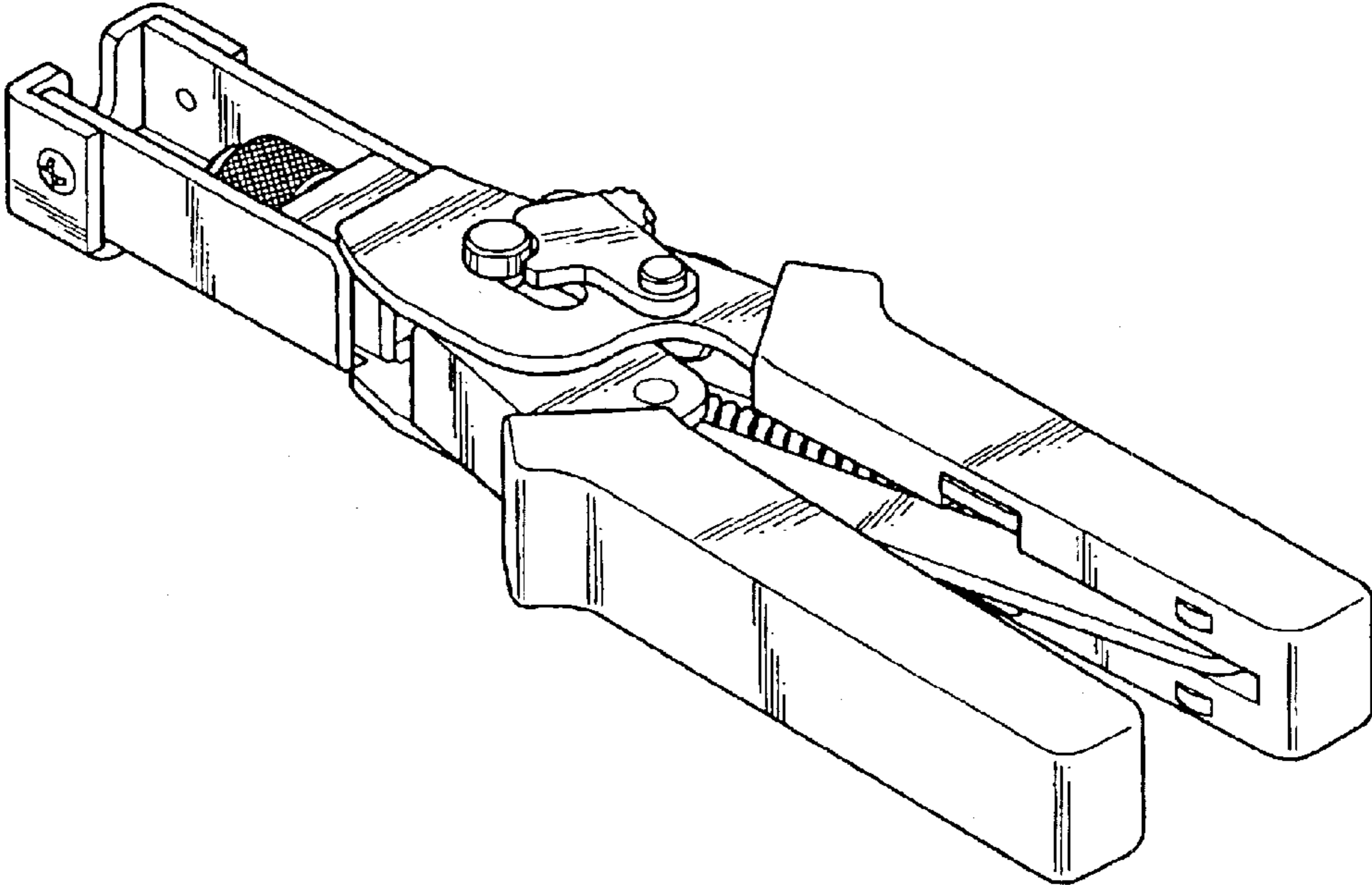


FIG. 1

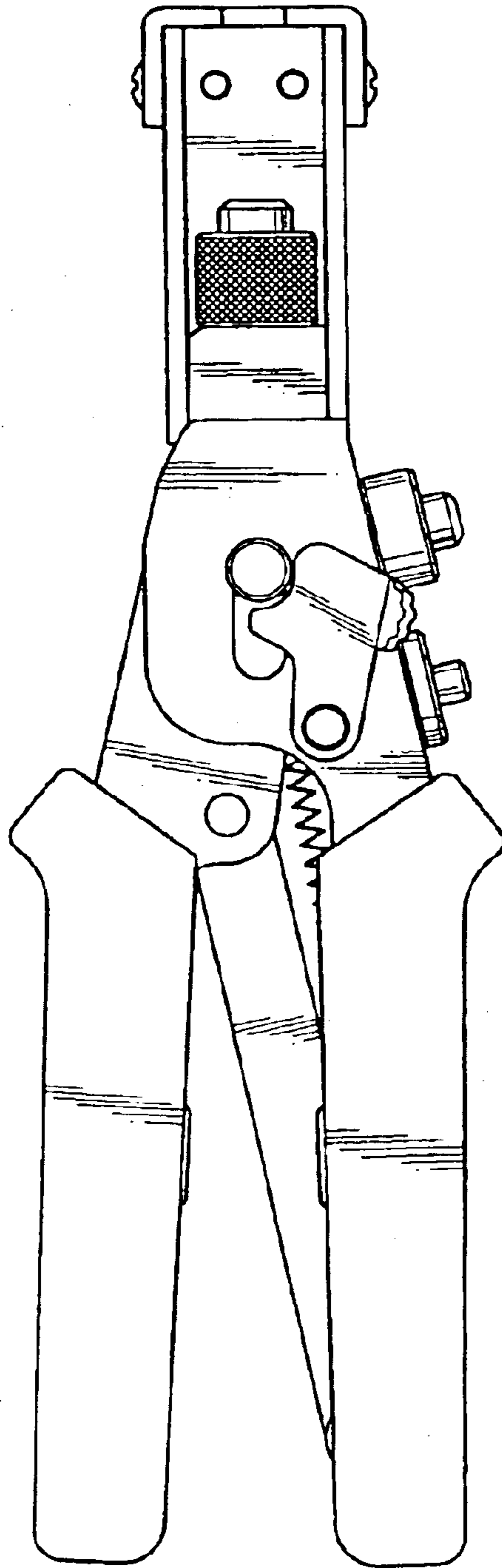


FIG. 2

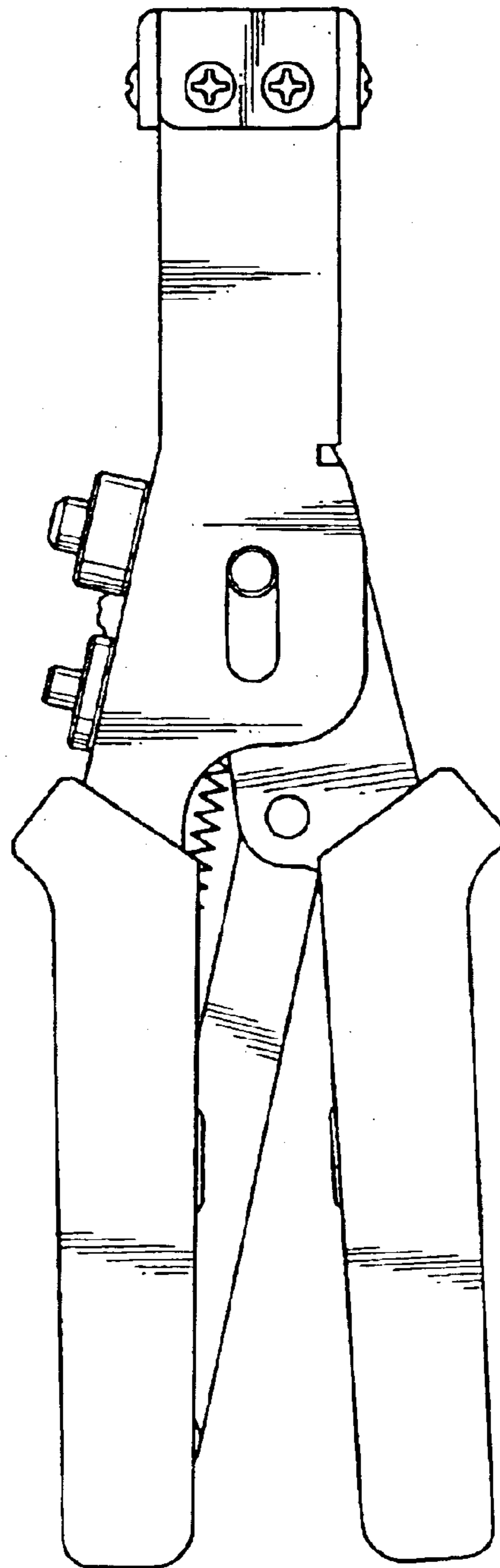


FIG. 3

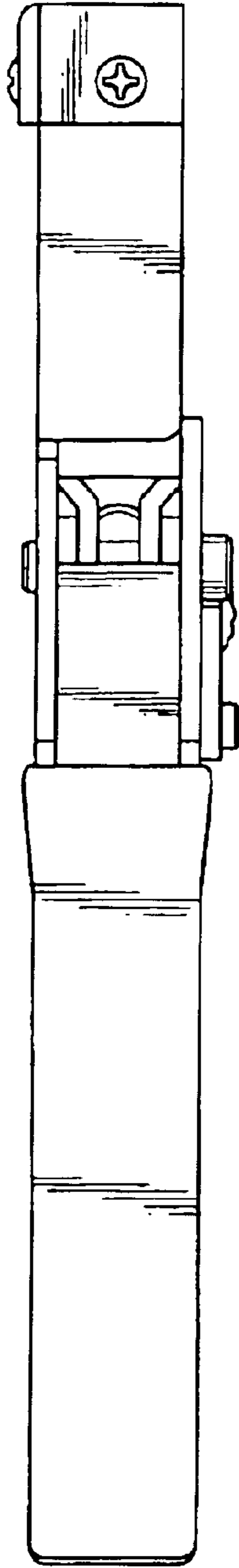


FIG. 4

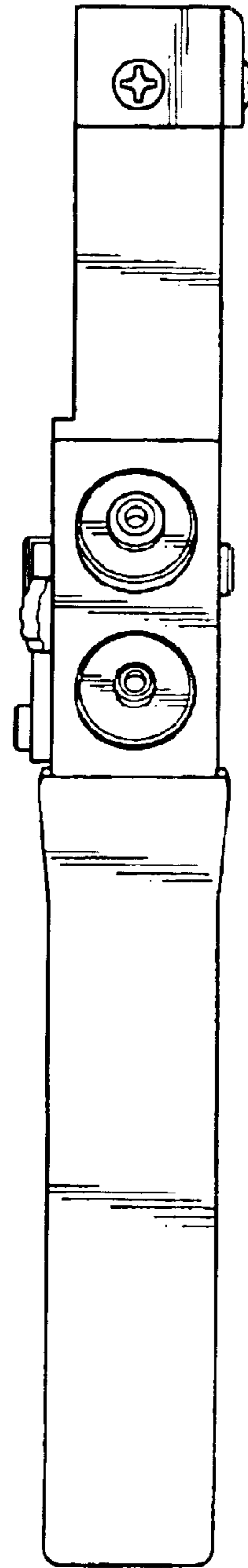


FIG. 5

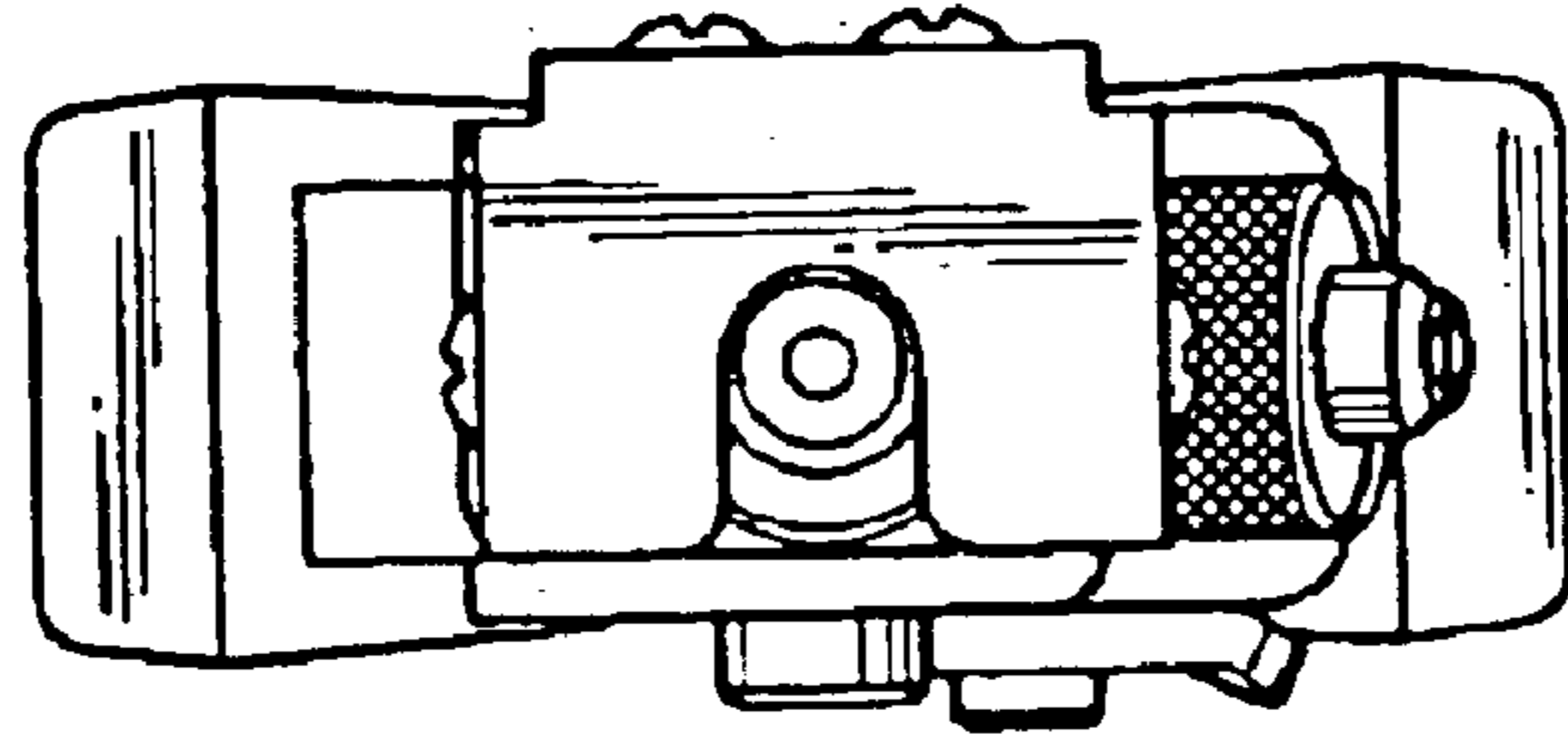


FIG. 6

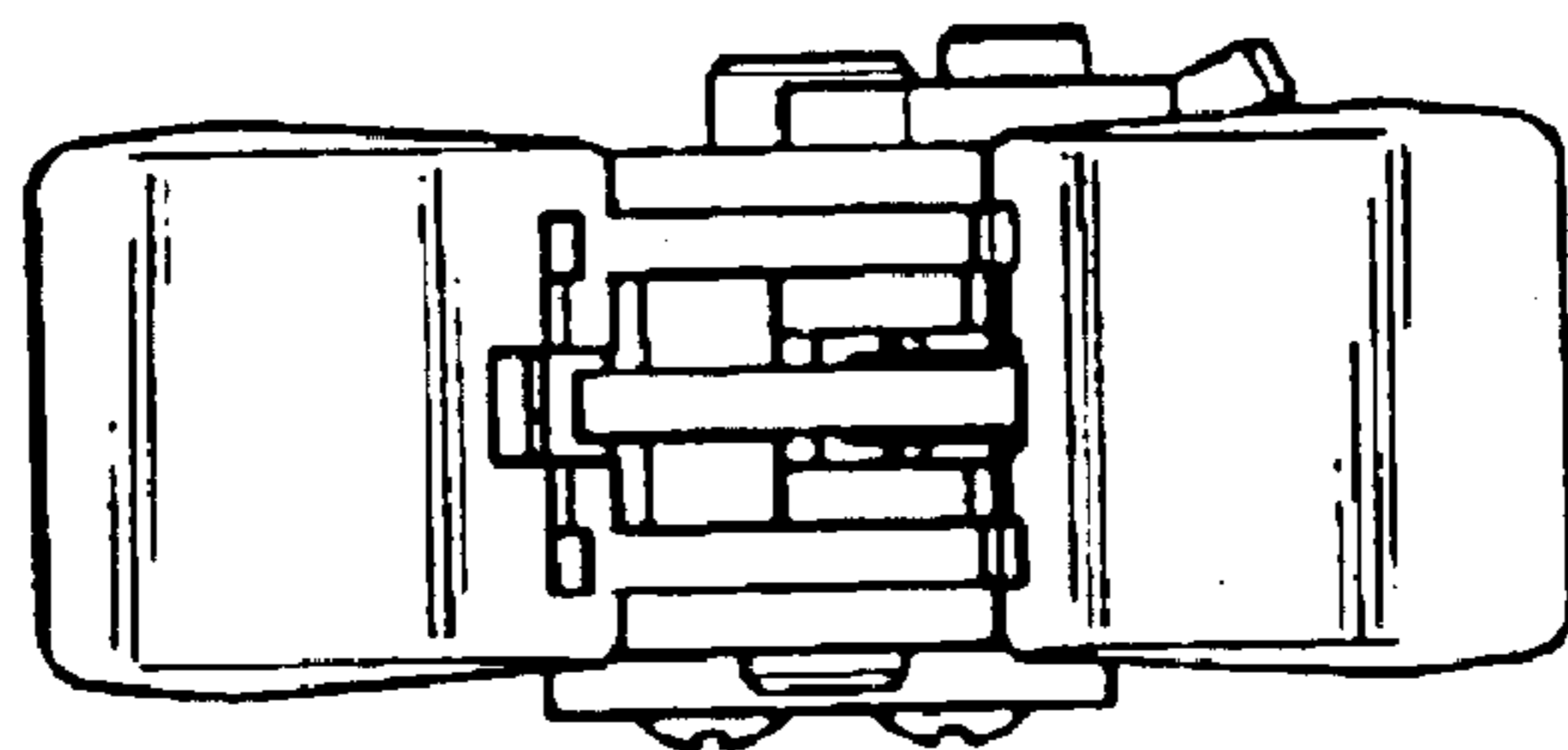


FIG. 7