



US00D504295S

(12) **United States Design Patent**
Haramiishi

(10) **Patent No.:** **US D504,295 S**
(45) **Date of Patent:** **** Apr. 26, 2005**

(54) **STAPLE CARTRIDGE**

FOREIGN PATENT DOCUMENTS

(75) **Inventor:** **Kiichi Haramiishi**, Tokyo (JP)

JP 1113088 S 7/2001
WO WO 03/013801 A1 2/2003

(73) **Assignee:** **Max Co., Ltd.**, Tokyo (JP)

* cited by examiner

(**) **Term:** **14 Years**

Primary Examiner—Adir Aronovich

(21) **Appl. No.:** **29/163,977**

(74) *Attorney, Agent, or Firm*—Morgan Lewis & Bockius LLP

(22) **Filed:** **Jul. 17, 2002**

(57) **CLAIM**

(30) **Foreign Application Priority Data**

The ornamental design for a staple cartridge, as shown and described.

Jan. 31, 2002 (JP) 2002-002110

DESCRIPTION

(51) **LOC (7) Cl.** **19-02**

FIG. 1 is a perspective view of the top, front and left side of a staple cartridge showing my new design;

(52) **U.S. Cl.** **D8/49**

FIG. 2 is a front view thereof;

(58) **Field of Search** D8/49, 50, 61;
227/120, 131, 132, 135, 136

FIG. 3 is a rear view thereof;

FIG. 4 is a top plan view thereof;

FIG. 5 is a bottom view thereof;

FIG. 6 is a right side view thereof; and,

FIG. 7 is a left side view thereof.

(56) **References Cited**

U.S. PATENT DOCUMENTS

4,623,082 A * 11/1986 Kurosawa 227/131

5,560,529 A * 10/1996 Udagawa et al. 227/136

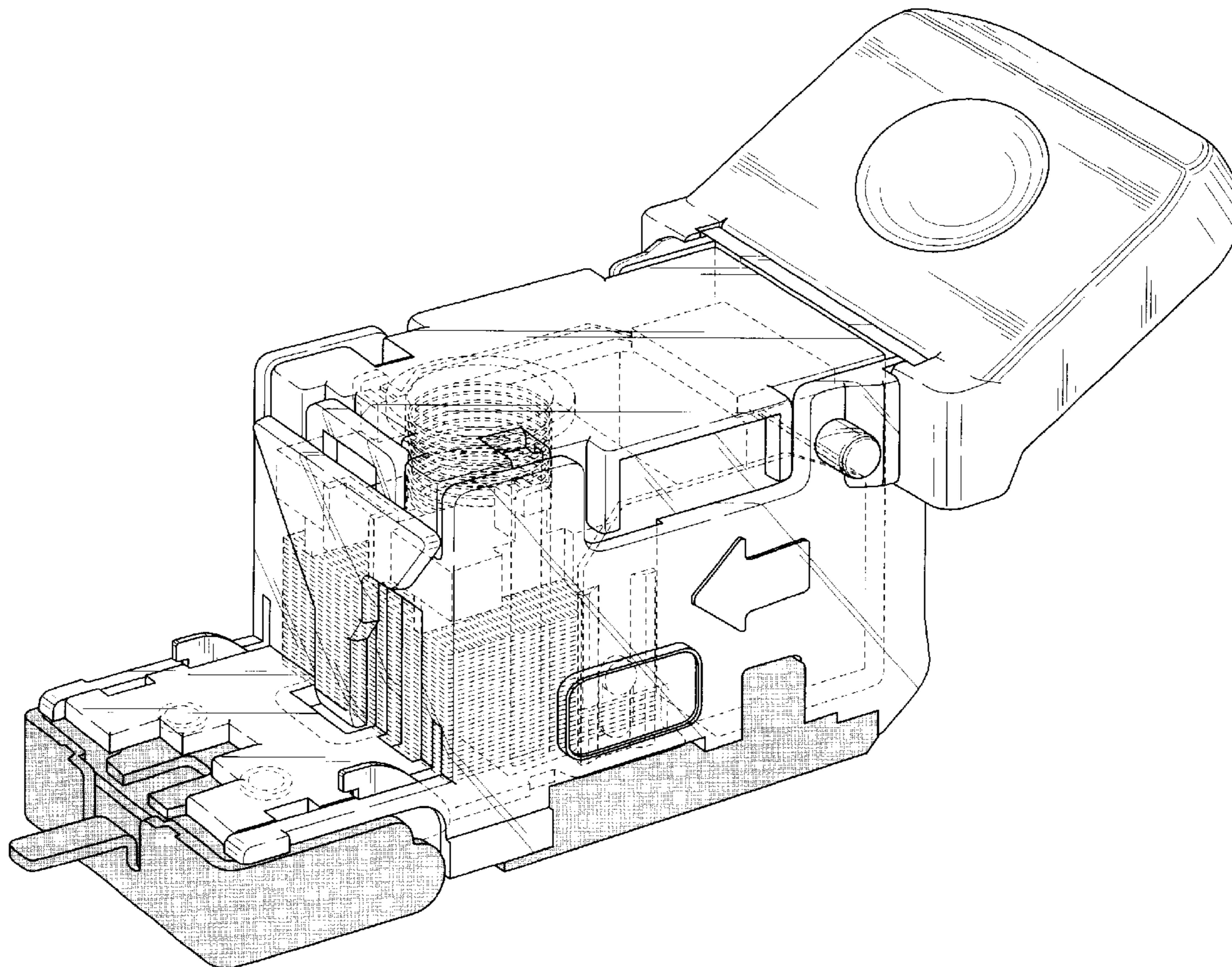
5,575,054 A * 11/1996 Klinzing et al. 227/120

6,216,936 B1 * 4/2001 Abe 227/131

2002/0017546 A1 * 2/2002 Takeuchi et al. 227/120

The broken line portions show environmental structure for illustrative purposes and form no part of the claimed design.

1 Claim, 6 Drawing Sheets



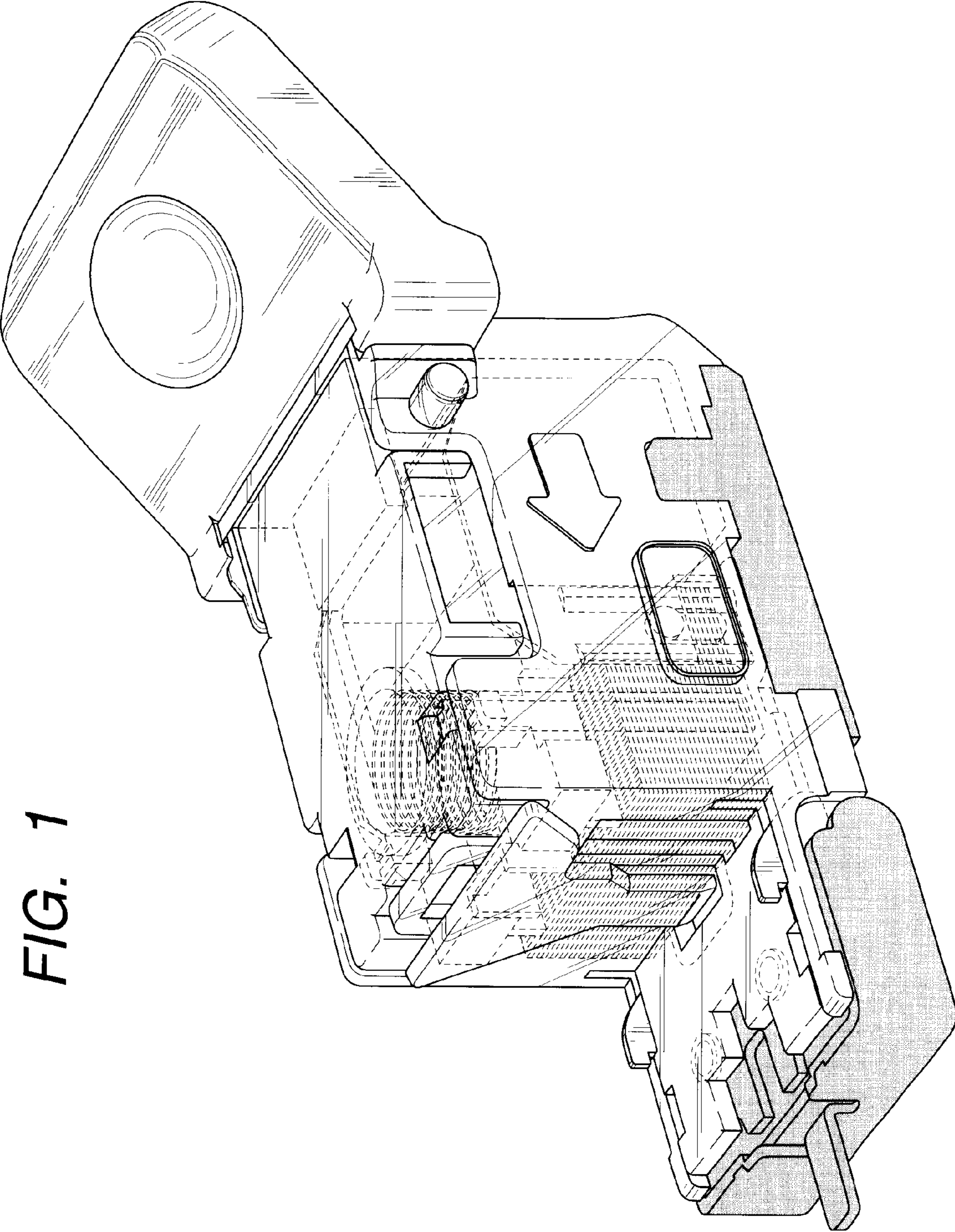


FIG. 1

FIG. 2

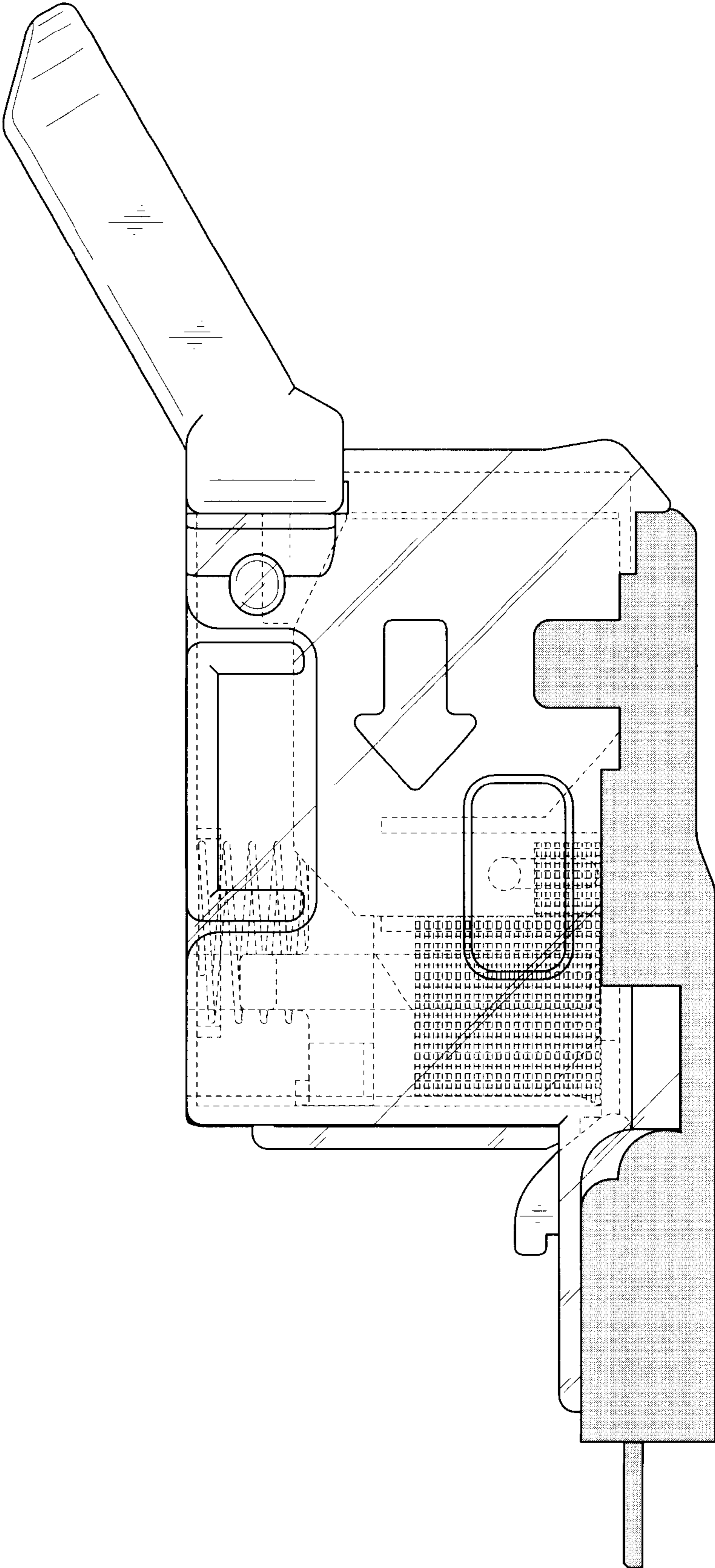


FIG. 3

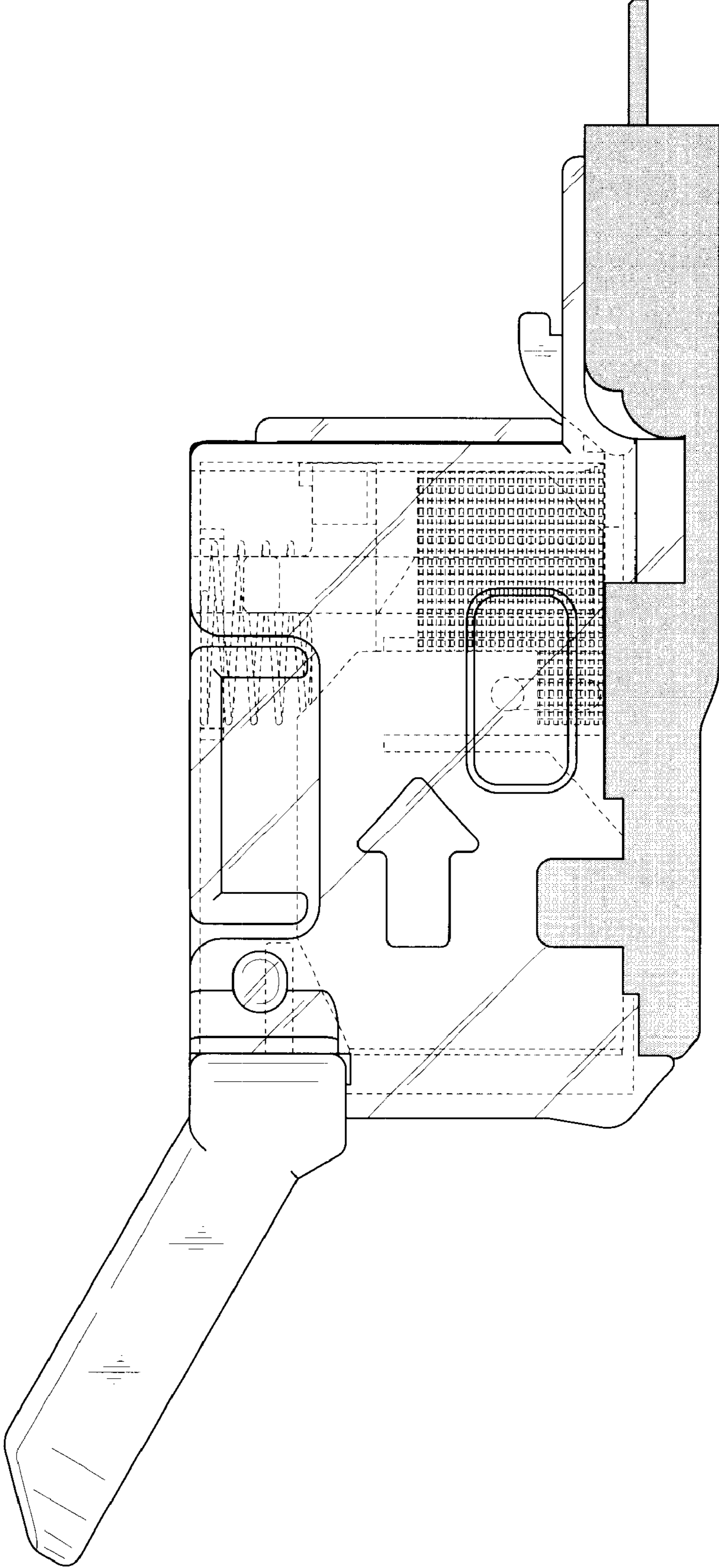


FIG. 4

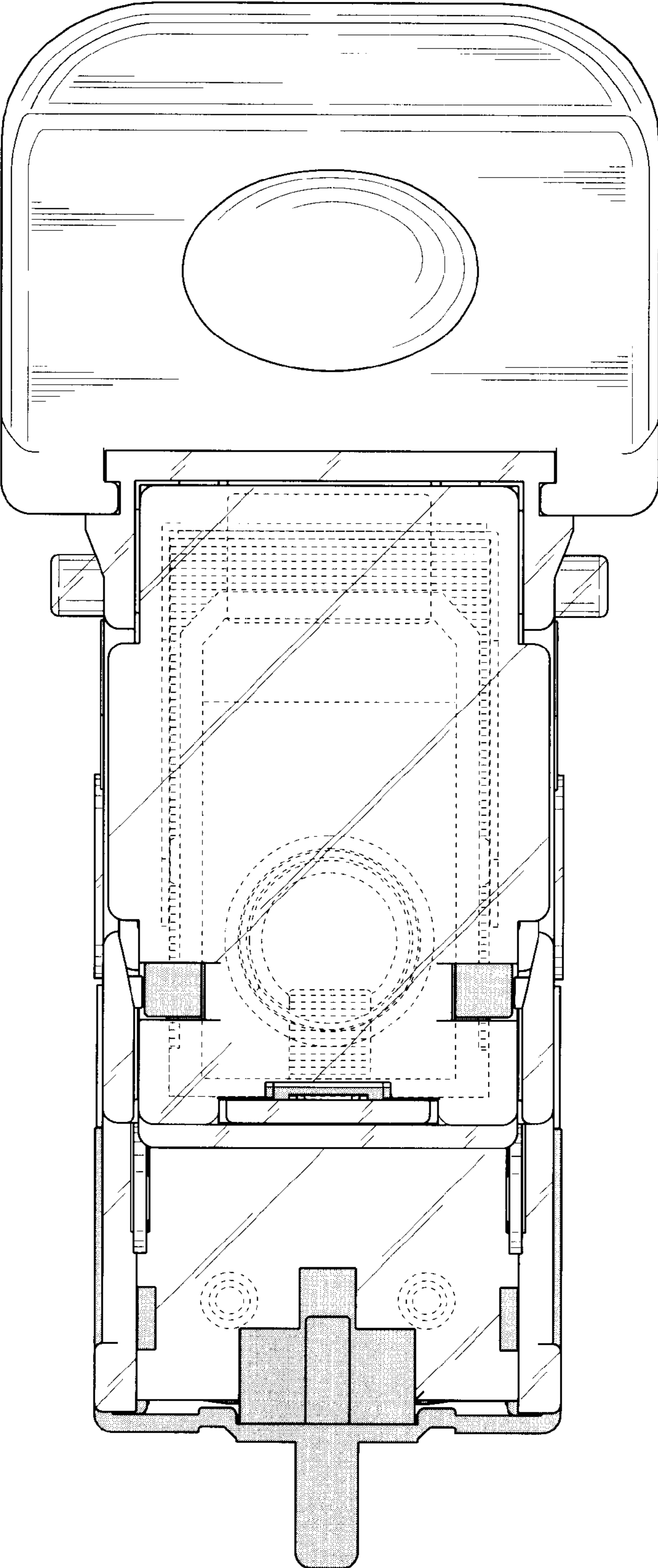


FIG. 5

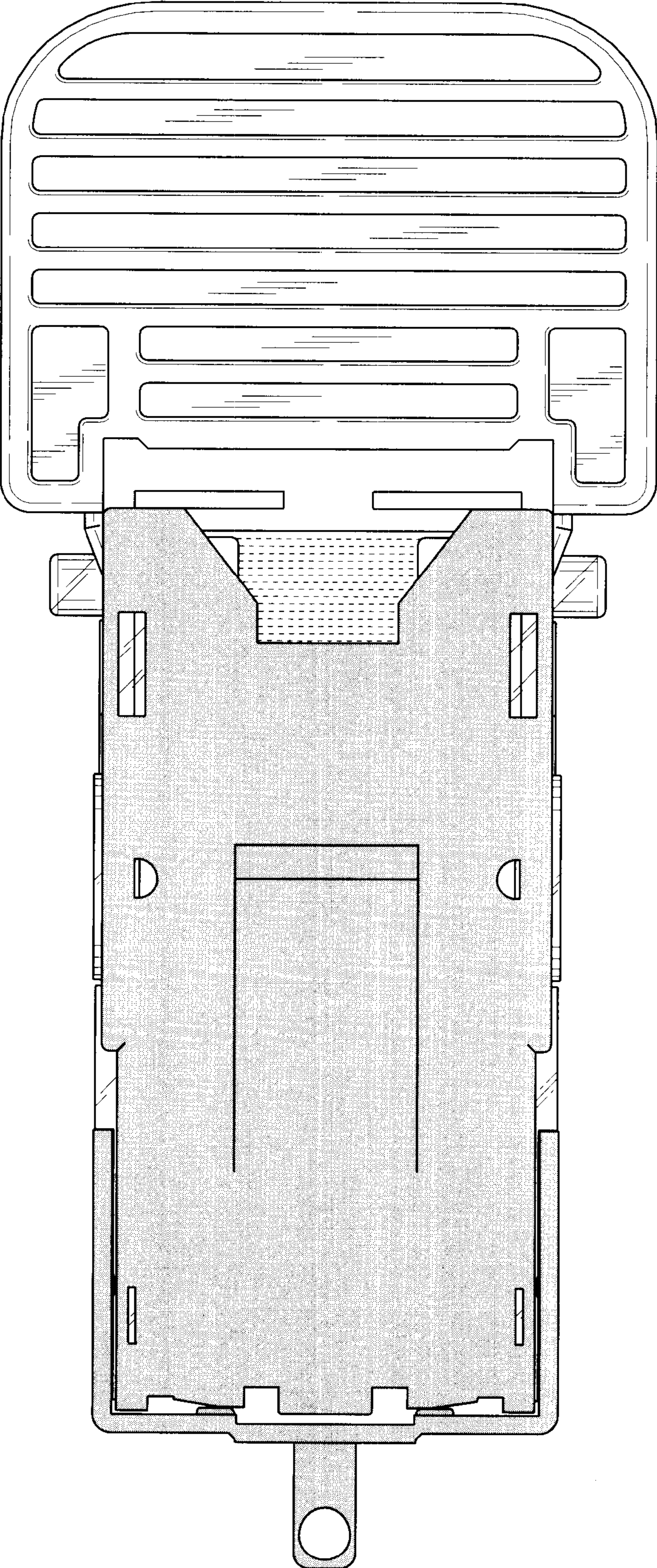


FIG. 6

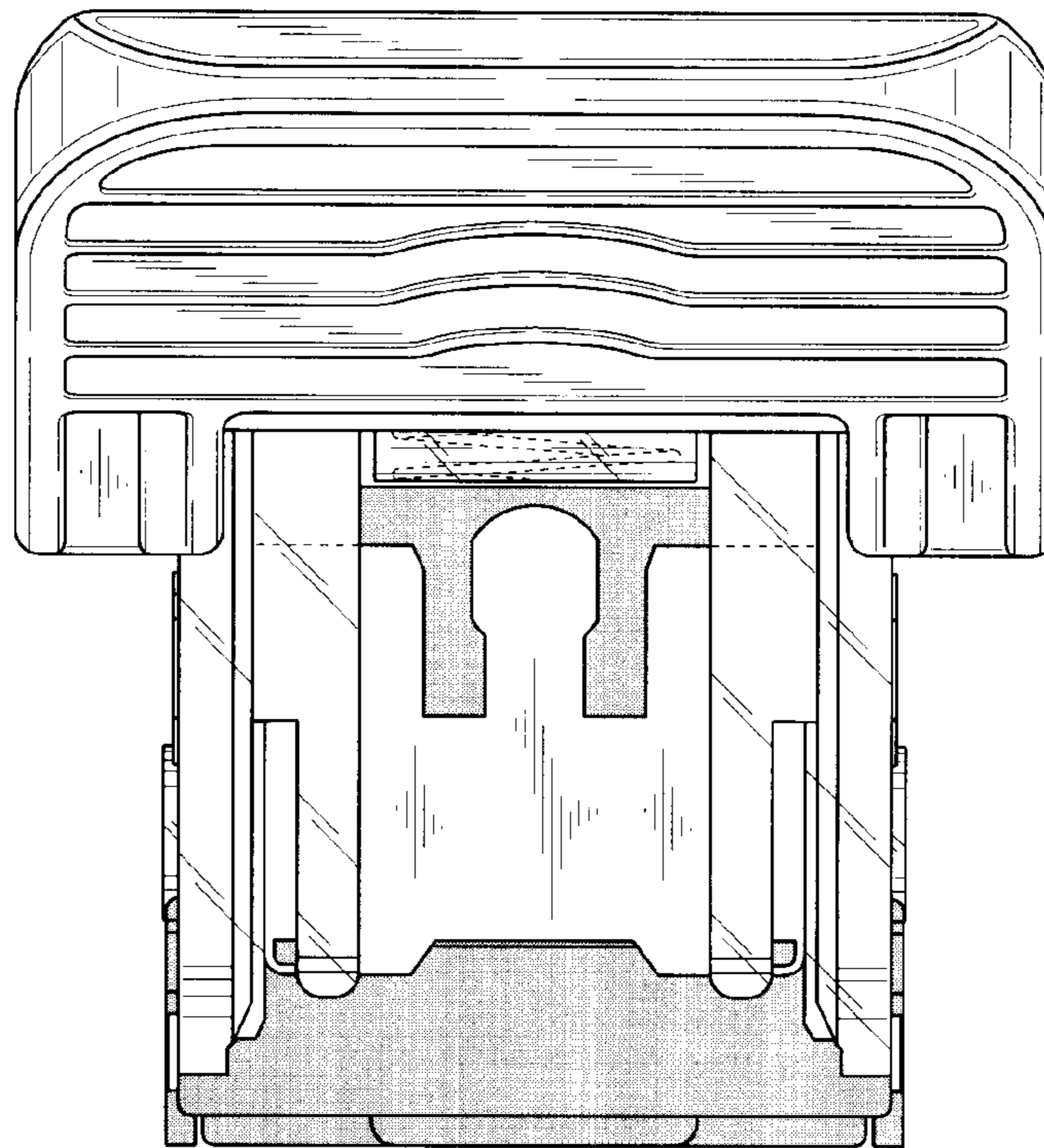


FIG. 7

