

US00D504294S

(12) **United States Design Patent**
Tarpill

(10) **Patent No.: US D504,294 S**
(45) **Date of Patent: ** Apr. 26, 2005**

(54) **DROP TRIMMER AND ASSEMBLY TOOL**

OTHER PUBLICATIONS

(75) Inventor: **Andrew J. Tarpill**, East Haddam, CT
(US)

Photographs of Cableprep Tool.

* cited by examiner

(73) Assignee: **Capewell Components Company, LLC**, Cromwell, CT (US)

Primary Examiner—Holly Baynham

(74) *Attorney, Agent, or Firm*—DeLio & Peterson, LLC

(**) Term: **14 Years**

(57) **CLAIM**

(21) Appl. No.: **29/210,331**

I claim the ornamental design for a drop trimmer and assembly tool, as shown and described herein.

(22) Filed: **Jul. 29, 2004**

DESCRIPTION

(51) **LOC (7) Cl.** **08-05**

FIG. 1 is a front elevational view of the design of this invention.

(52) **U.S. Cl.** **D8/44**

FIG. 2 is a top plan view of the design of this invention.

(58) **Field of Search** D8/14, 44; 81/9.44,
81/90.1, 91.2

FIG. 3 is a left side elevational view of the design of this invention.

(56) **References Cited**

FIG. 4 is a back elevational view of the design of this invention.

U.S. PATENT DOCUMENTS

FIG. 5 is a right side elevational view of the design of this invention; and,

5,036,734	A	*	8/1991	Morrow	81/9.44
5,713,132	A		2/1998	Tarpill		
6,128,976	A		10/2000	Tarpill		
6,253,641	B1		7/2001	Tarpill		
6,324,945	B1	*	12/2001	Lo et al.	81/9.44
6,418,817	B1	*	7/2002	Brown	81/9.44

FIG. 6 is a bottom plan view of the design of this invention.

1 Claim, 2 Drawing Sheets

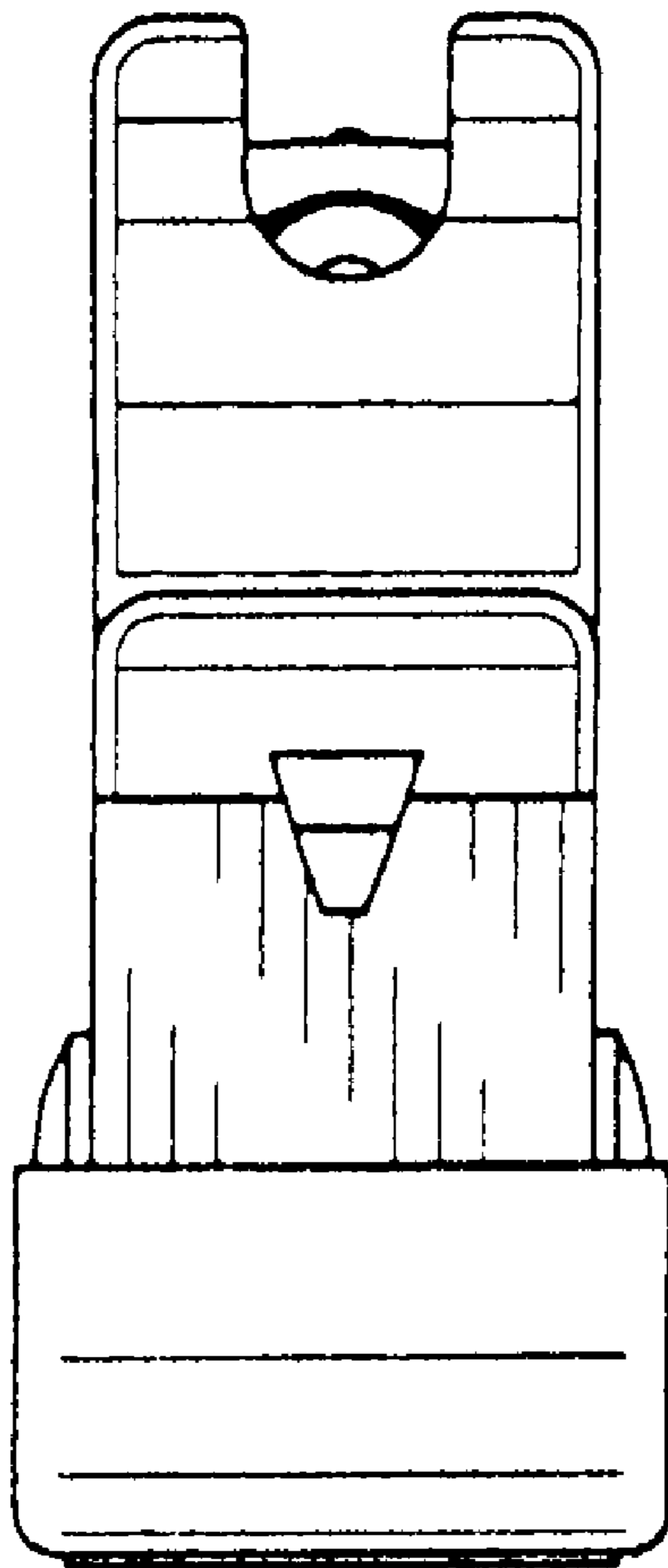


FIG. 2

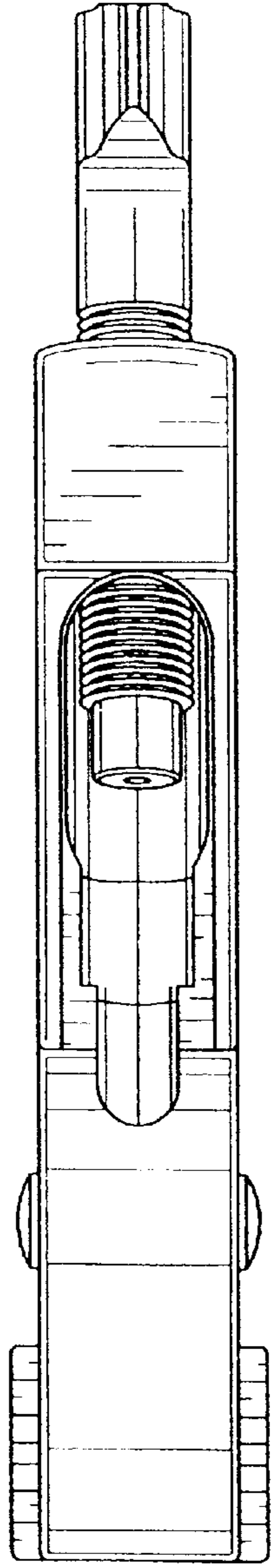


FIG. 3

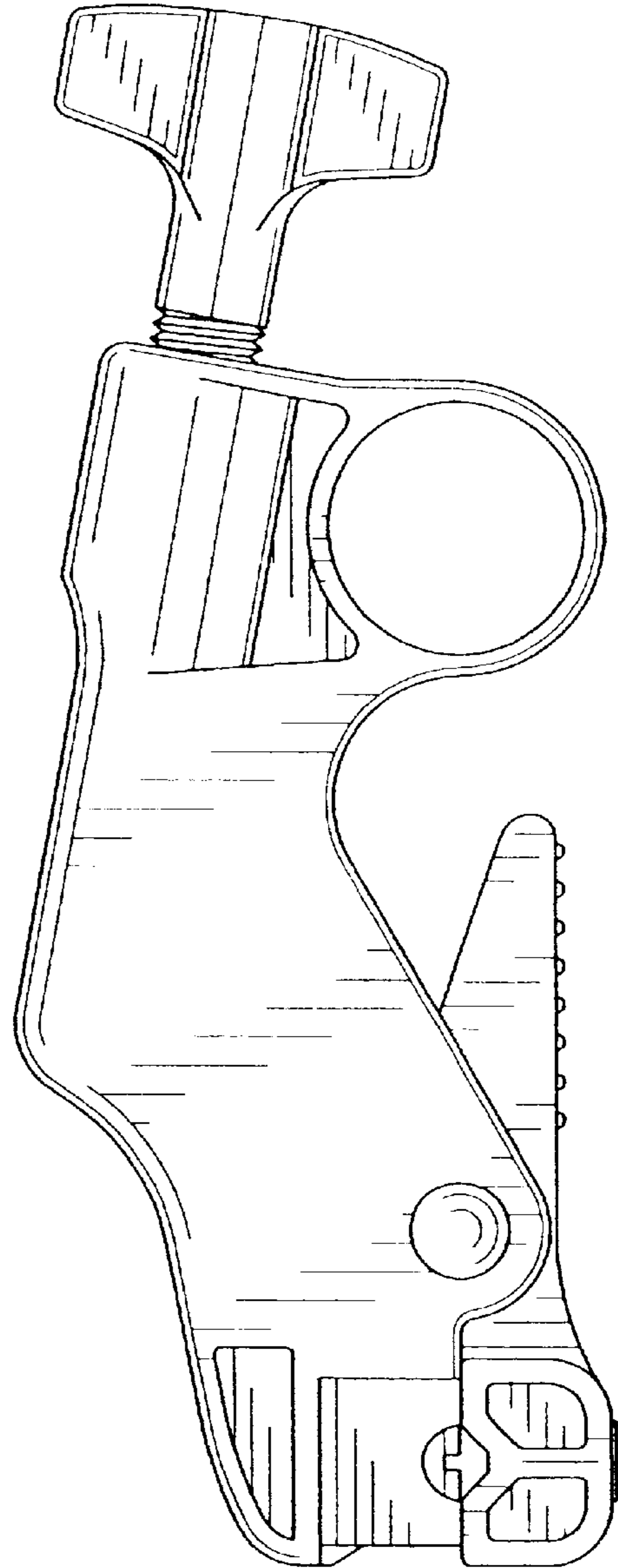


FIG. 1

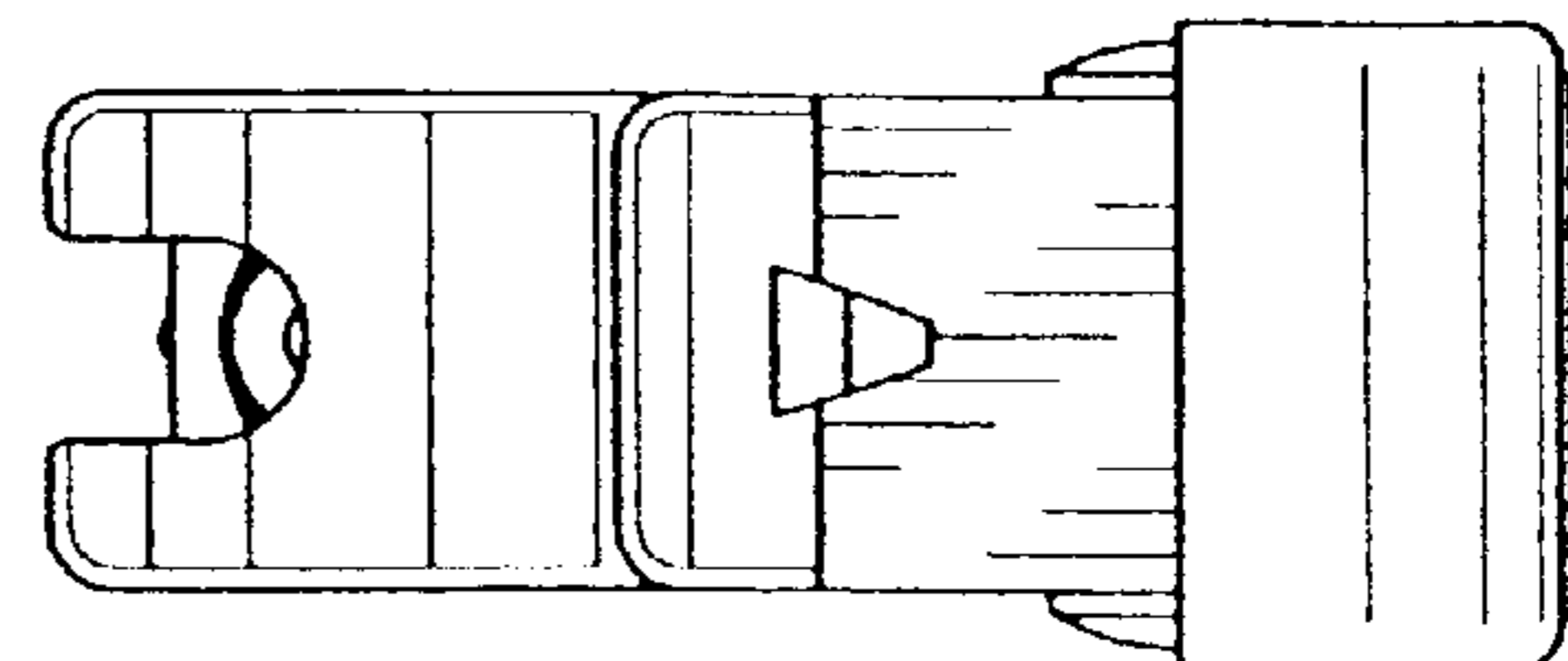


FIG.4

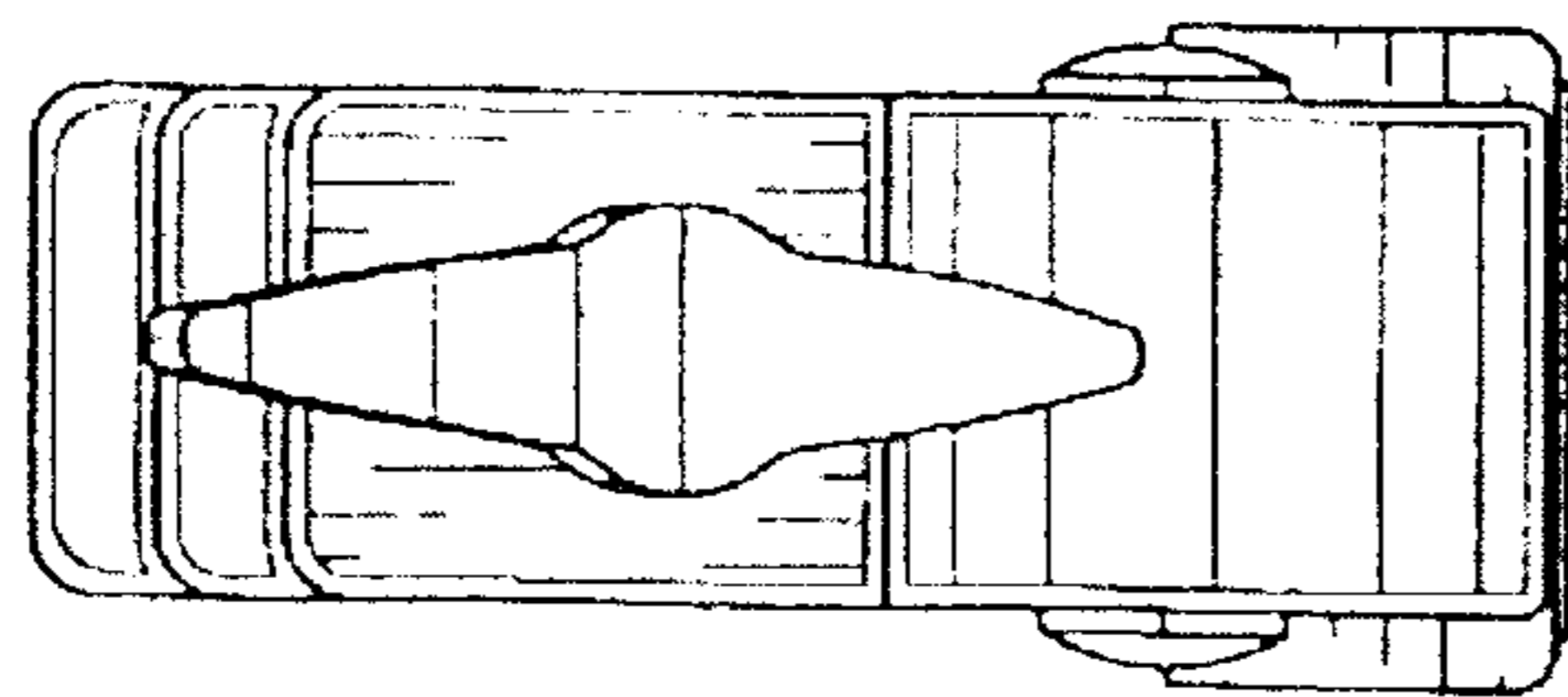


FIG.5

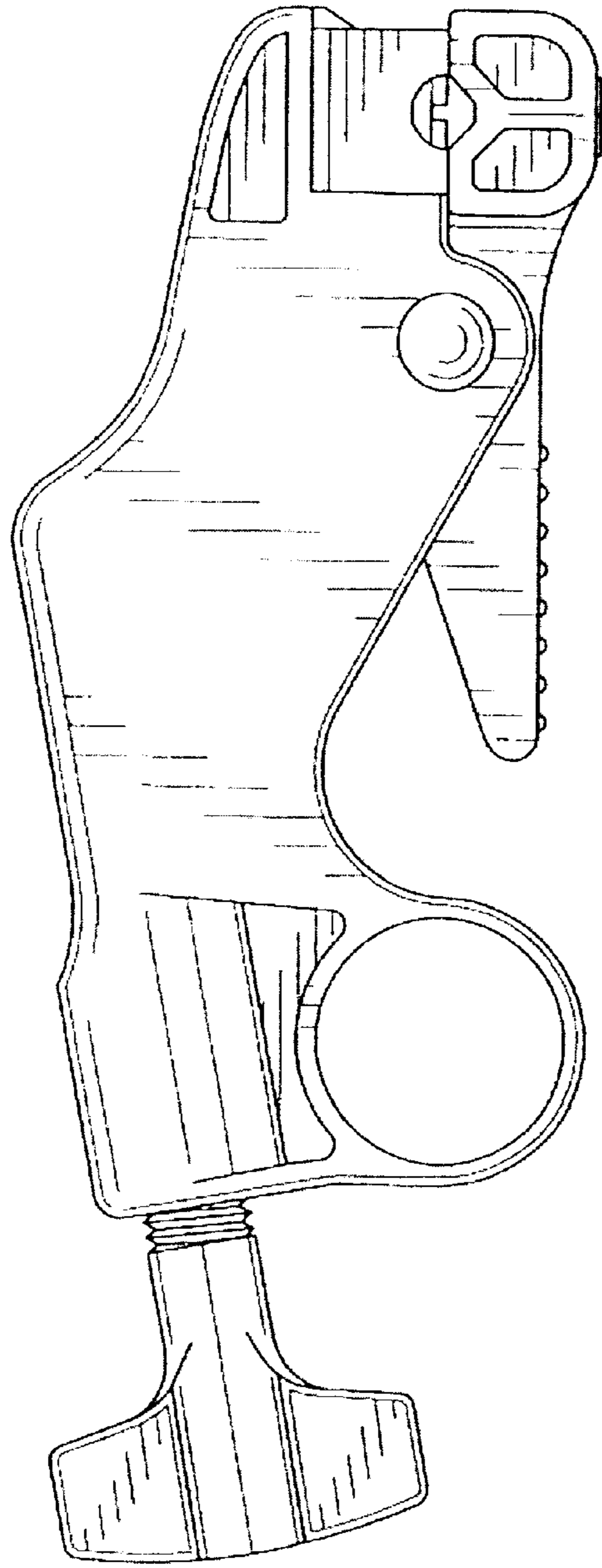


FIG.6

