

US00D504291S

(12) **United States Design Patent**
Lee

(10) **Patent No.:** **US D504,291 S**
(45) **Date of Patent:** **** Apr. 26, 2005**

(54) **CORK EXTRACTOR**

(76) Inventor: **Hung-Pin Lee**, No. 179, Sisian St.,
Tainan (TW)

(**) Term: **14 Years**

(21) Appl. No.: **29/202,781**

(22) Filed: **Apr. 6, 2004**

(51) **LOC (7) Cl.** **07-99**

(52) **U.S. Cl.** **D8/39; D8/42; D8/38**

(58) **Field of Search** **D8/18, 33-43;**
7/151-156; 30/400-443; 81/3.07-3.49

(56) **References Cited**

U.S. PATENT DOCUMENTS

D41,124 S * 1/1911 Morgan D8/38
D442,043 S * 5/2001 Kao D8/39

OTHER PUBLICATIONS

Compendium of Bar Corkscrews by Wayne Meadows;
©2001; ISBN:0-9689294-0-0; Published by Kitsilano Cel-
lars; p. 129, Le Grape extractor I.D.# G02.1.1, circa 1995?
-1998?.*

* cited by examiner

Primary Examiner—Caron D. Veynar
(74) *Attorney, Agent, or Firm*—Rosenberg, Klein & Lee

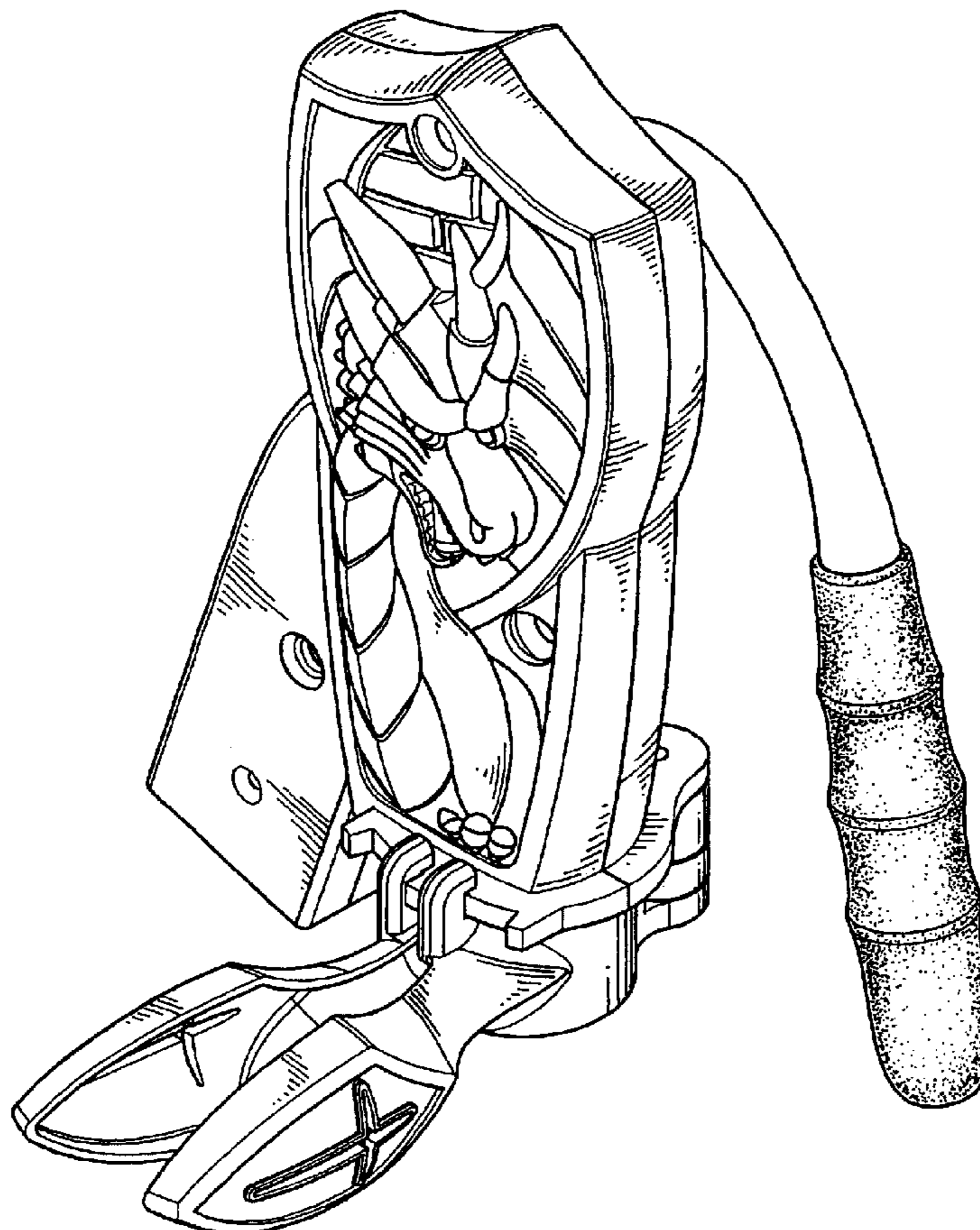
(57) **CLAIM**

The ornamental design for a cork extractor, as shown and described.

DESCRIPTION

FIG. 1 is a perspective view of a cork extractor showing my new design;
FIG. 2 is a front elevational view thereof;
FIG. 3 is a rear elevational view thereof;
FIG. 4 is a left side elevational view thereof;
FIG. 5 is a right side elevational view thereof;
FIG. 6 is a top plan view thereof; and,
FIG. 7 is a bottom plan view thereof; and,
FIG. 8 is a perspective view thereof, wherein the broken line showing of the cork extractor is for illustrative purposes, and forms no part of the claimed design.

1 Claim, 5 Drawing Sheets



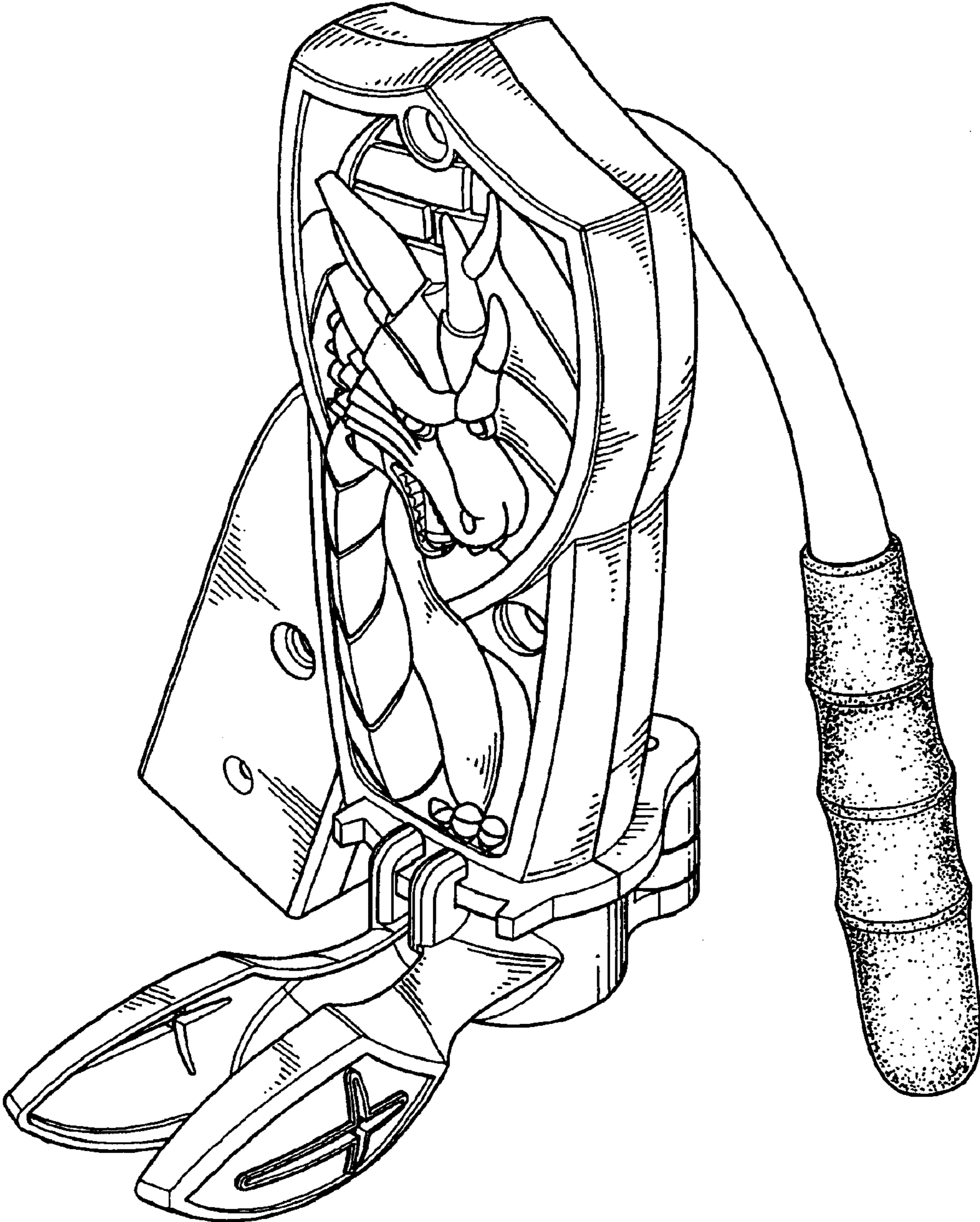


FIG. 1

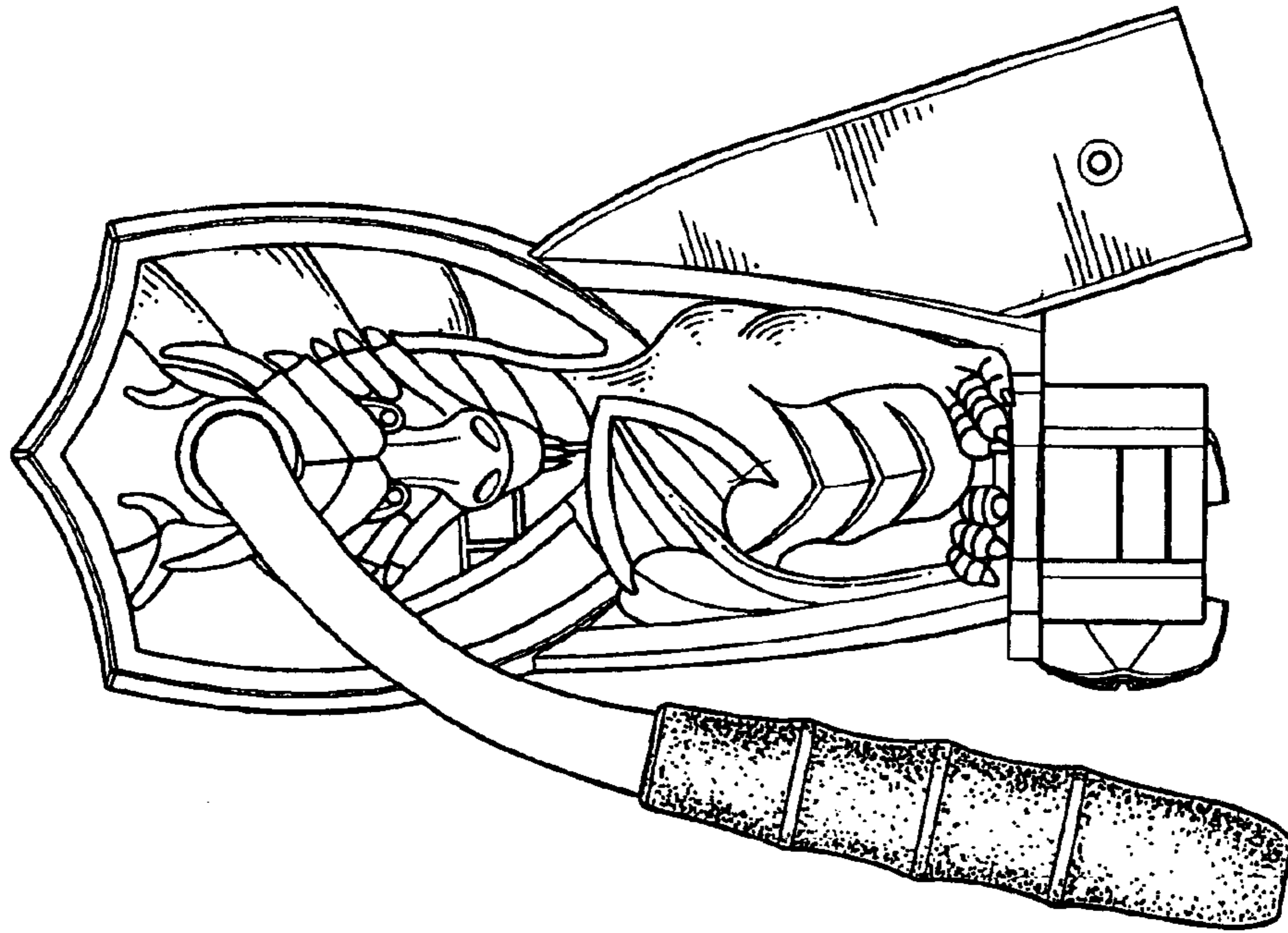


FIG. 3

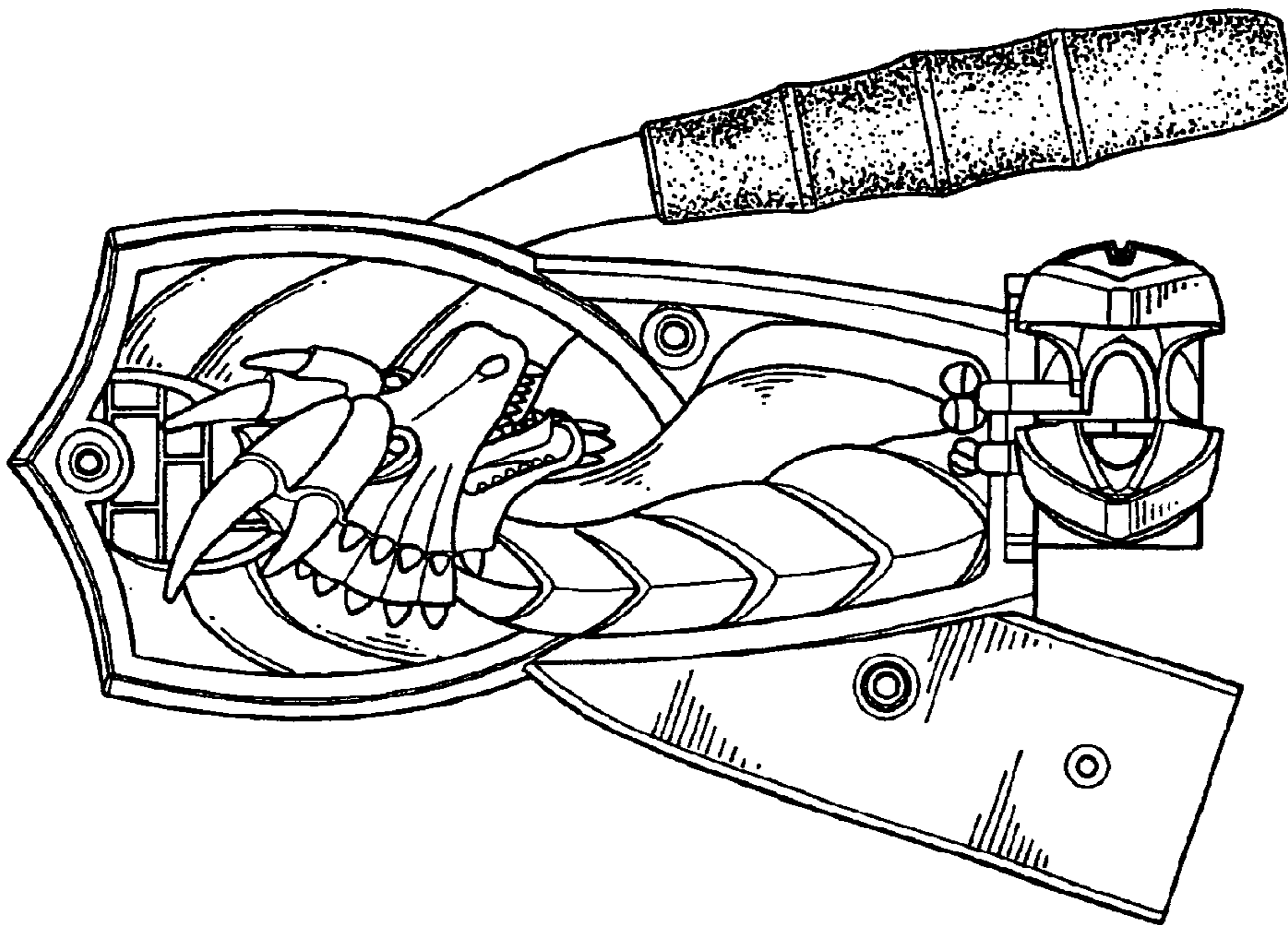


FIG. 2

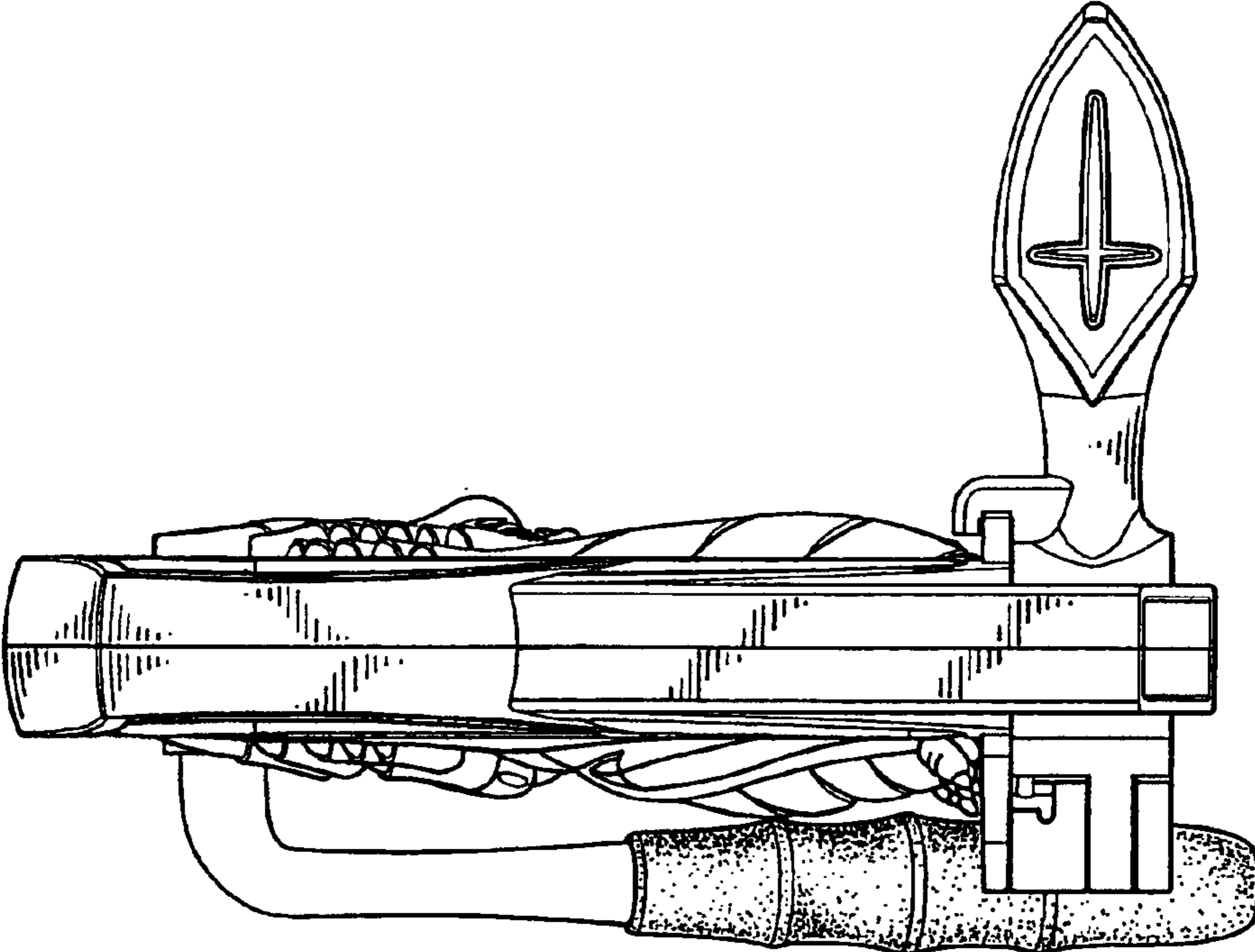


FIG. 4

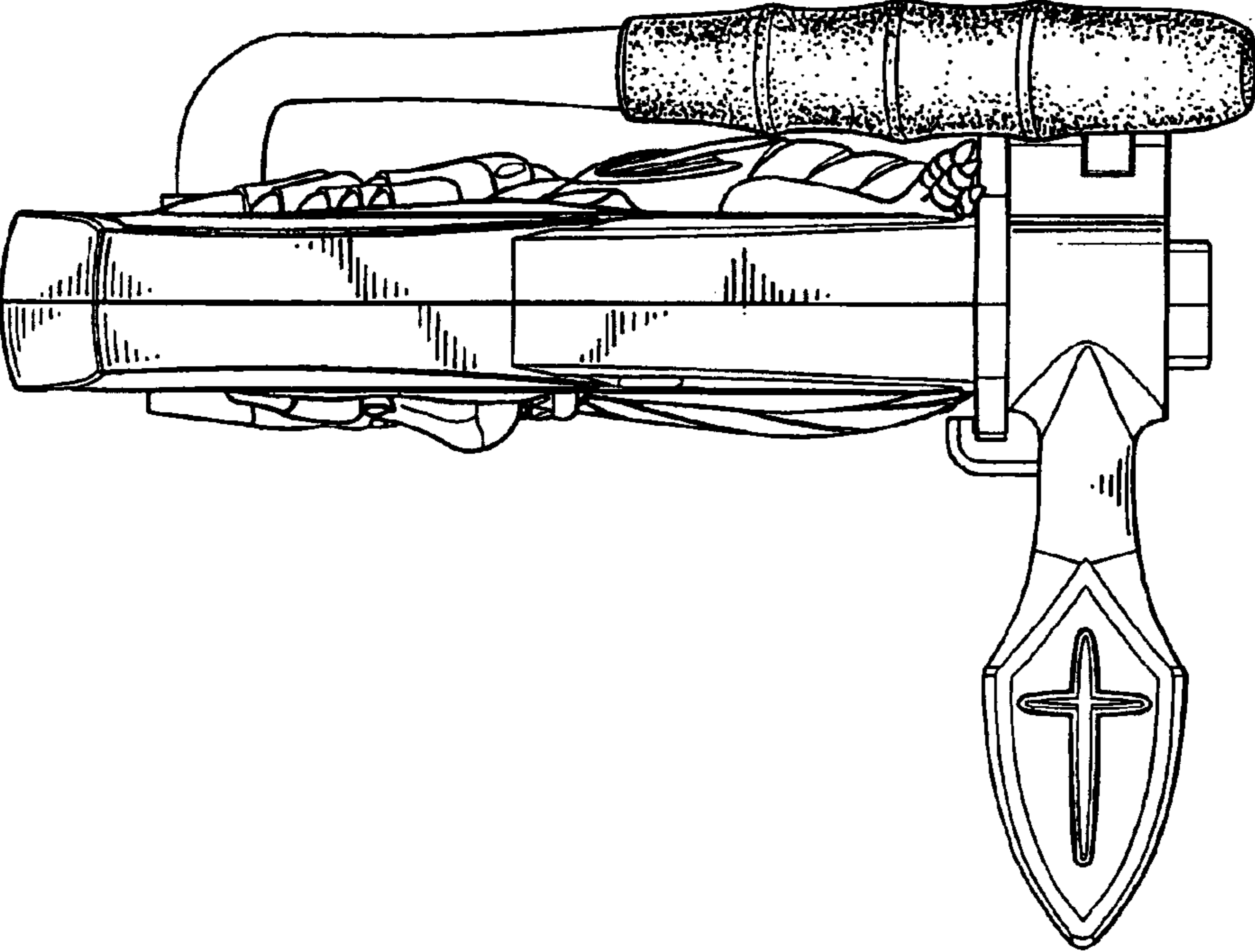


FIG. 5

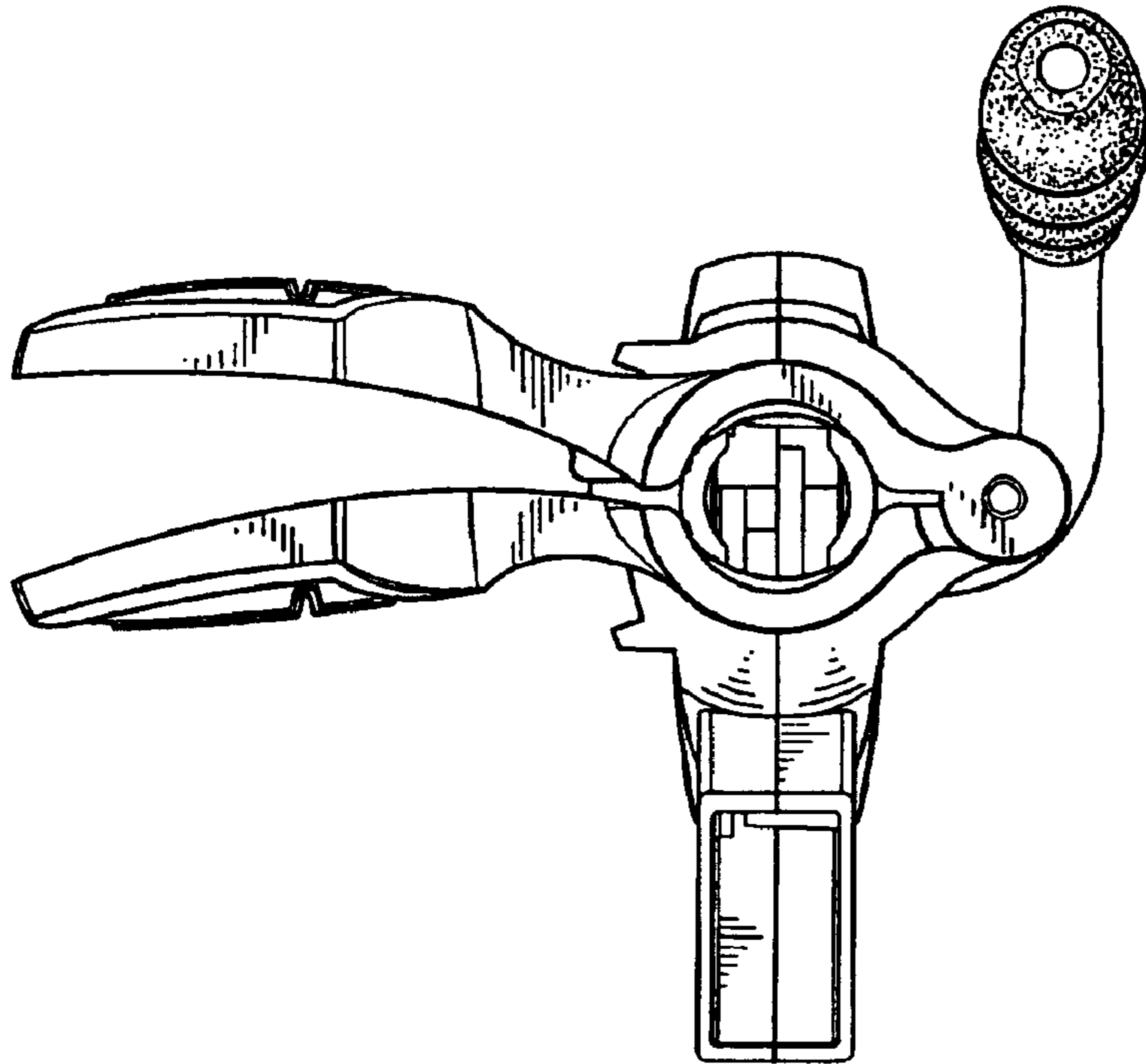


FIG. 7

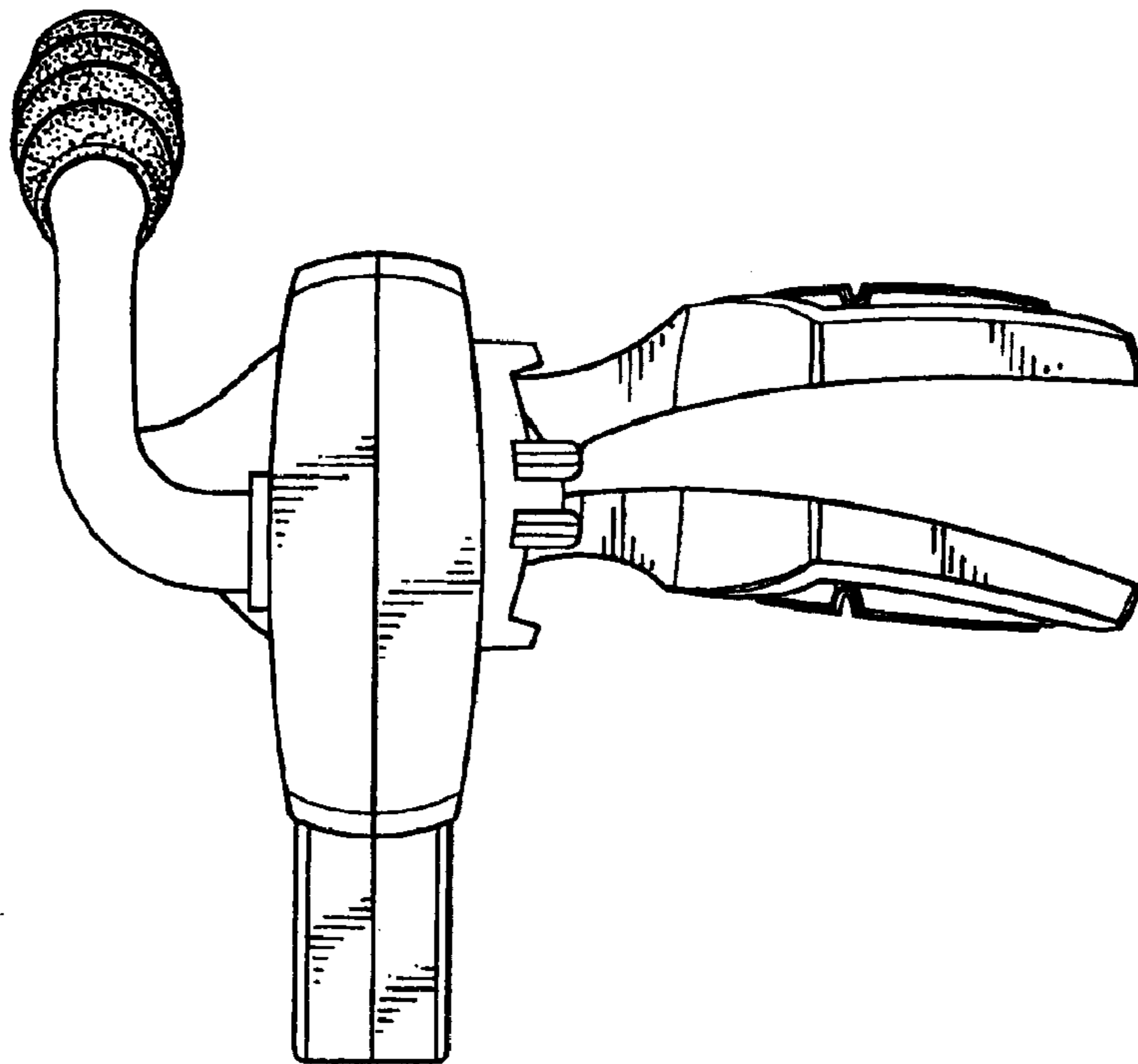


FIG. 6

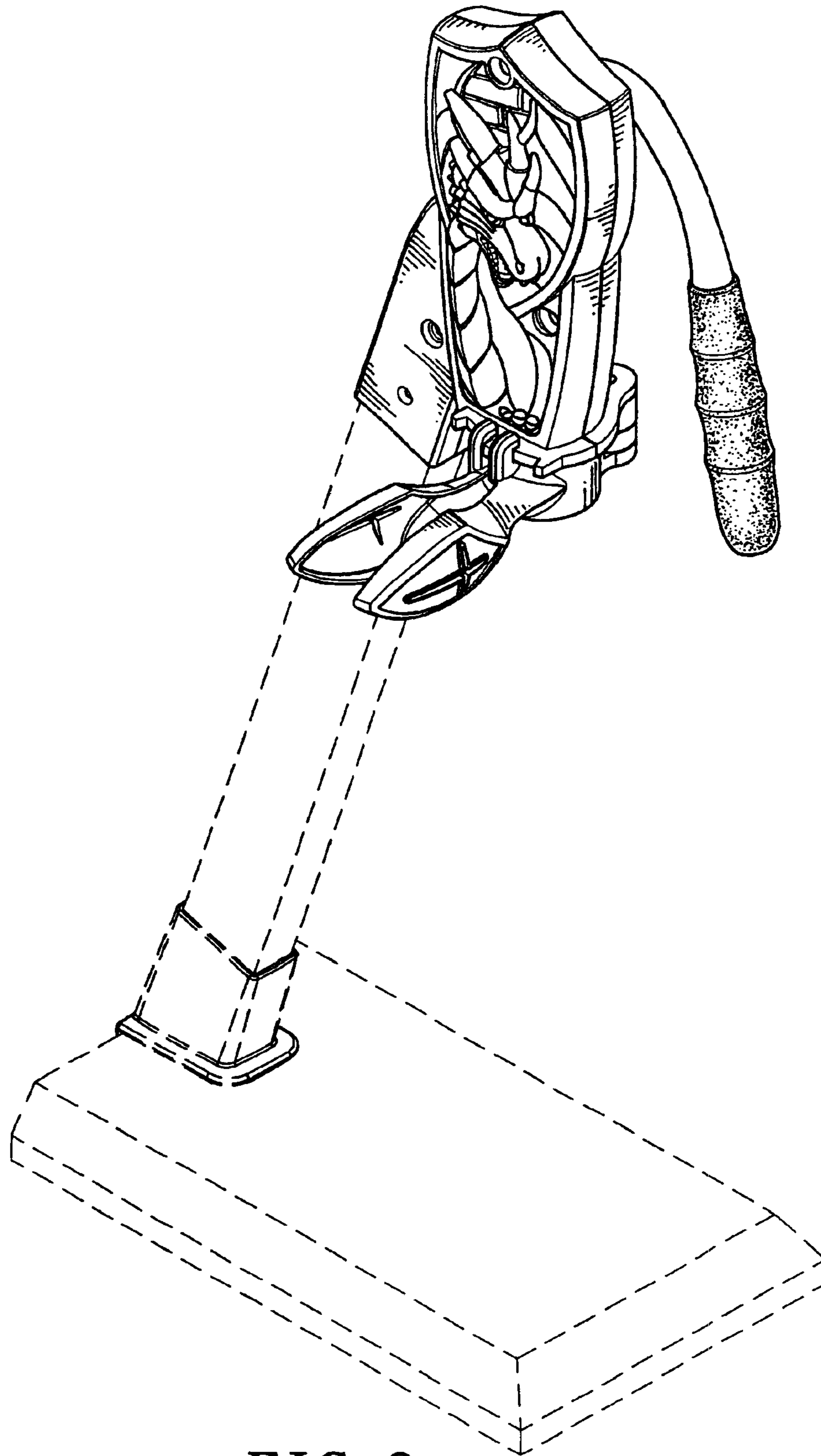


FIG. 8