

US00D504289S

(12) **United States Design Patent**  
**Kelleghan**

(10) **Patent No.:** **US D504,289 S**  
(45) **Date of Patent:** **\*\* Apr. 26, 2005**

(54) **ICE AXE SHAPED BOTTLE OPENER**

(75) Inventor: **Brian James Kelleghan**, Longmont,  
CO (US)  
(73) Assignee: **Bison Designs, L.L.C.**, Longmont, CO  
(US)  
(\*\*) Term: **14 Years**

(21) Appl. No.: **29/197,135**  
(22) Filed: **Jan. 9, 2004**

(51) **LOC (7) Cl.** ..... **07-99**  
(52) **U.S. Cl.** ..... **D8/38**  
(58) **Field of Search** ..... D8/14, 16, 18,  
D8/19, 33-43, 75-81; 7/116, 145, 151-158;  
30/308.1, 308.3, 400-443; 81/3.07-3.57;  
D21/532

(56) **References Cited**

**U.S. PATENT DOCUMENTS**

889,901 A	*	6/1908	Bush	.....	30/438
D57,662 S		4/1921	Kingston et al.	.....	D8/81
D179,916 S	*	3/1957	Raverty et al.	.....	D8/18
D196,251 S		9/1963	Piel	.....	D8/41
4,023,606 A	*	5/1977	Kneissl	.....	30/308.1
D384,255 S	*	9/1997	Beckner	.....	D8/16
D497,087 S	*	10/2004	Gallo et al.	.....	D8/38

**OTHER PUBLICATIONS**

The Ultimate Corkscrew Book by Donald A. Bull; ©1999; ISBN:0-7643-0701-0; Schiffer Publishing Ltd.; p. 162 ice breaking hammer and picks at the top and bottom sections of the page.\*  
Ice Pick design (Grivel Eigel) picture, date unknown.  
Ice Pick design (Black Diamond) picture, date unknown.

\* cited by examiner

*Primary Examiner*—Caron D. Veynar

(74) *Attorney, Agent, or Firm*—Margaret Polson; Patent Law Offices of Rick Martin, P.C.

(57) **CLAIM**

The ornamental design for an ice axe shaped bottle opener, as shown and described.

**DESCRIPTION**

FIG. 1 is a plan view of the top and bottom side, which are mirror images, of my new design for an ice axe shaped bottle opener.

FIG. 2 is a right side elevation view of FIG. 1.

FIG. 3 is a left side elevation view of FIG. 1.

FIG. 4 is a back side elevation view of FIG. 1.

FIG. 5 is a front side elevation view of FIG. 1; and,

FIG. 6 is a top perspective view of FIG. 1.

**1 Claim, 1 Drawing Sheet**

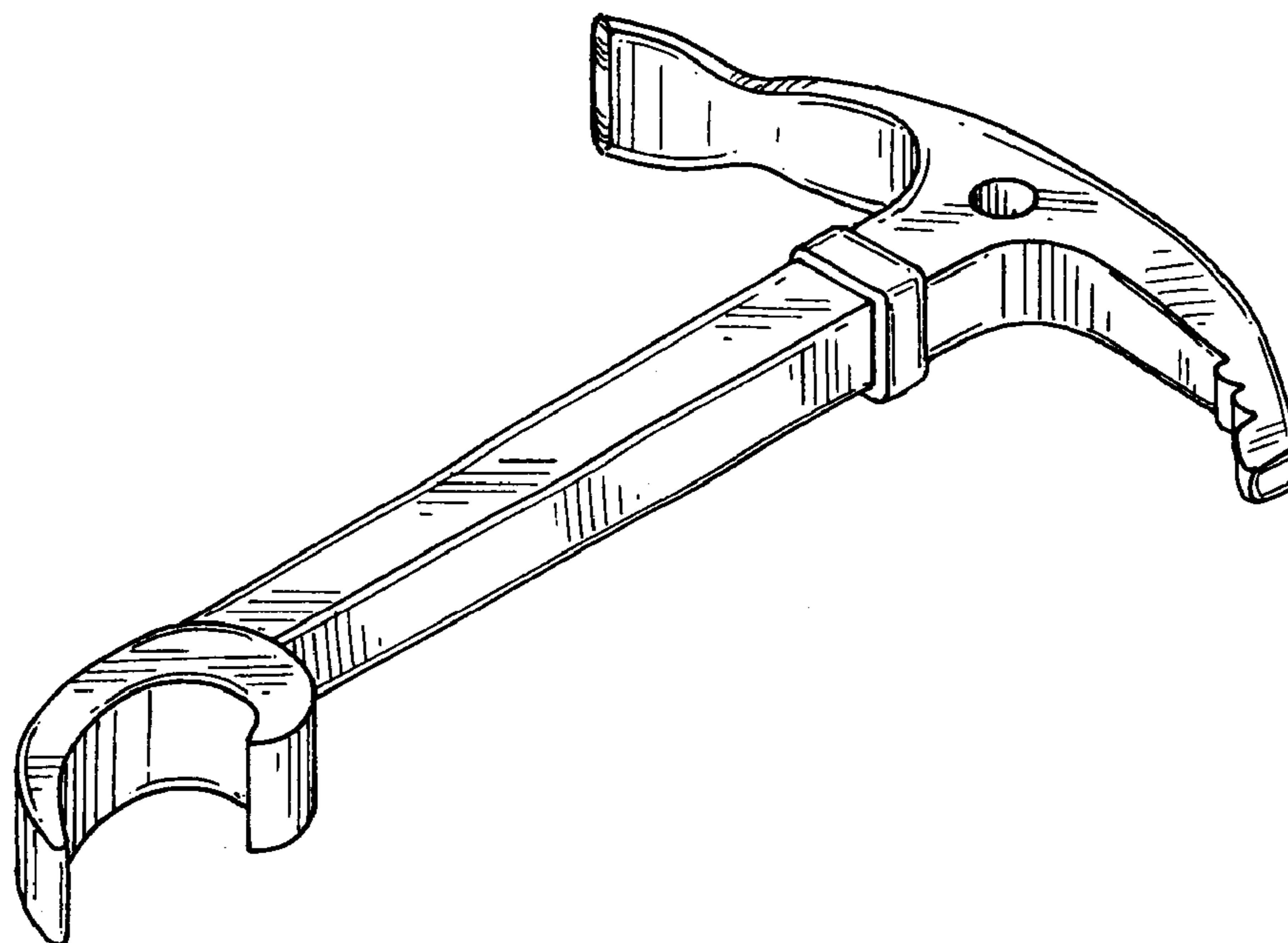




FIG. 4

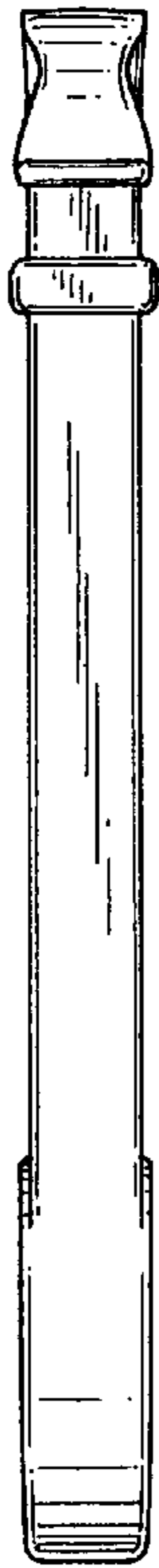


FIG. 2

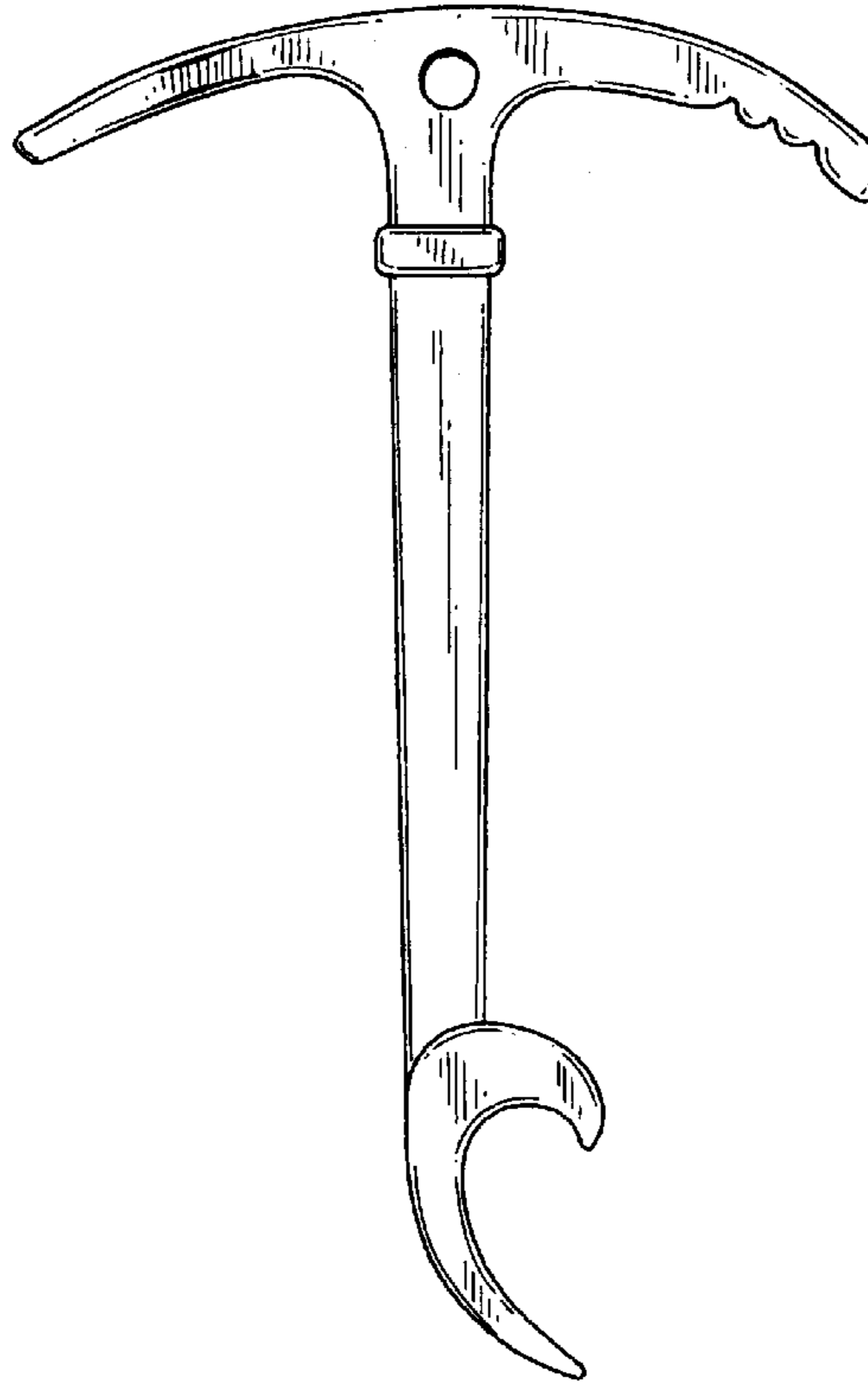


FIG. 1

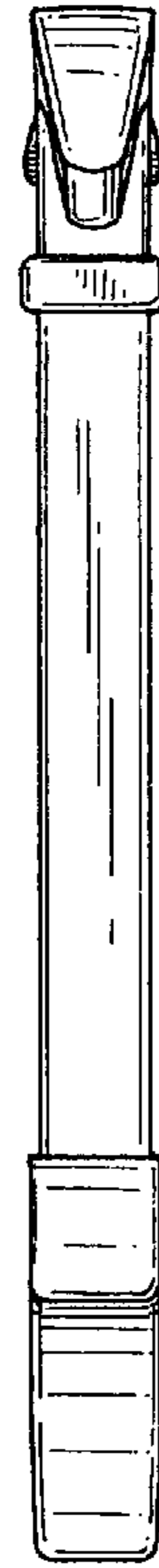


FIG. 3

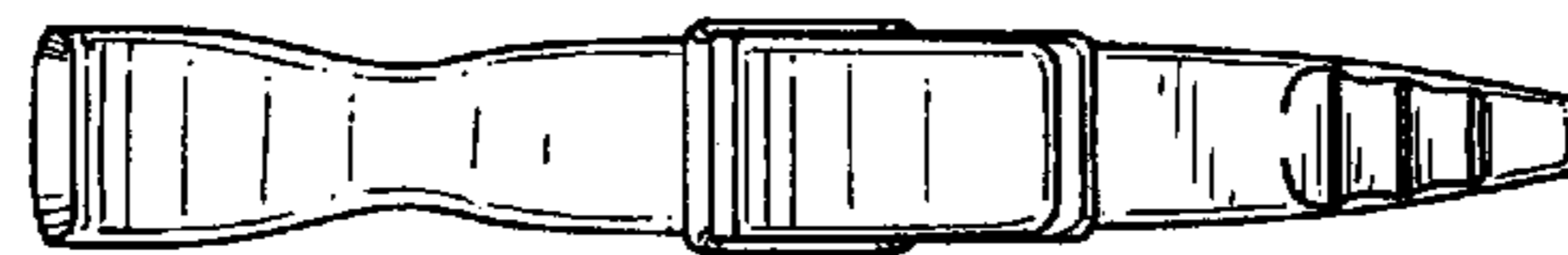


FIG. 5

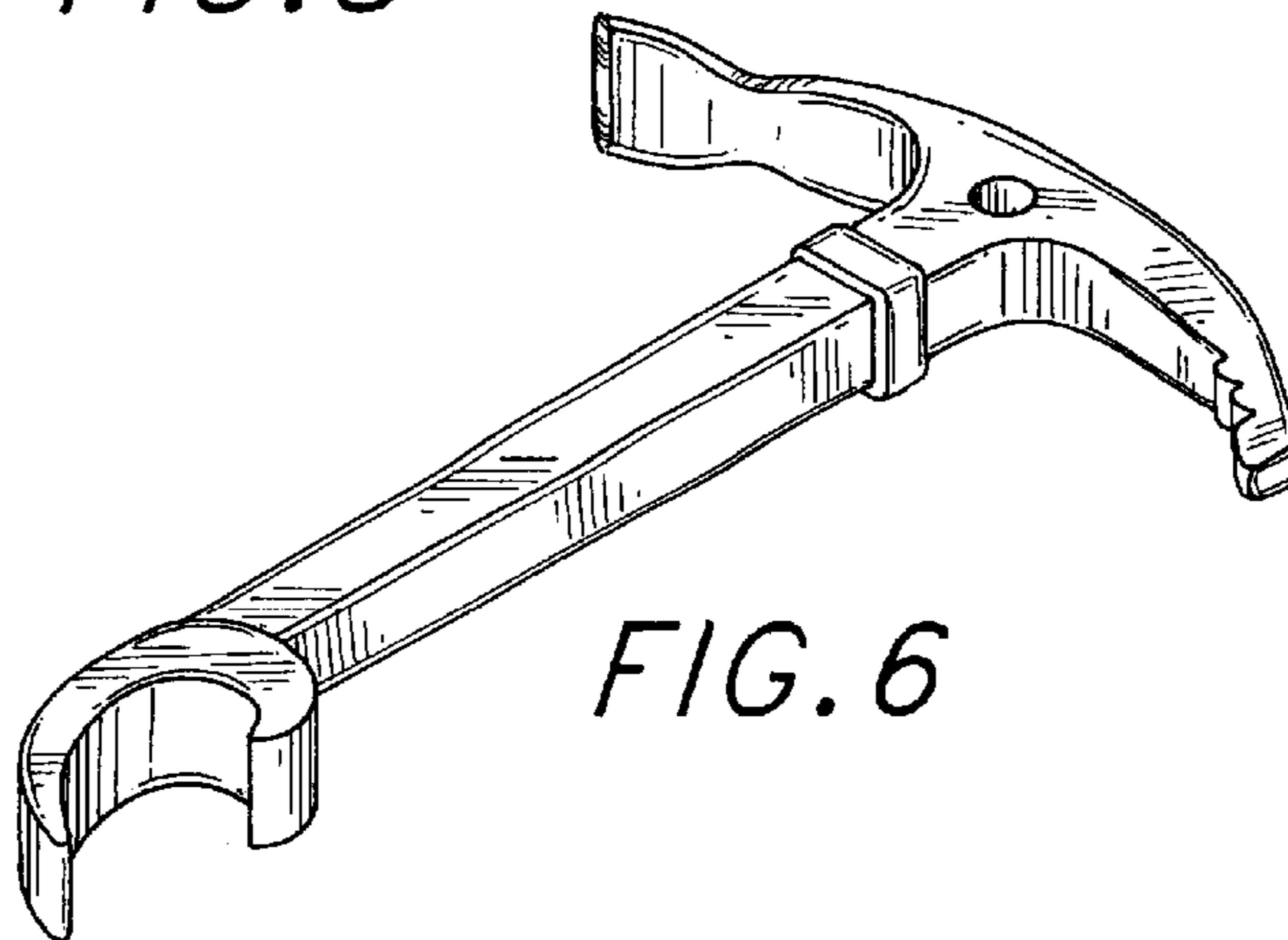


FIG. 6