



US00D504287S

(12) **United States Design Patent**
McGuyer

(10) **Patent No.:** **US D504,287 S**
(45) **Date of Patent:** **** Apr. 26, 2005**

- (54) **PIZZA CUTTER IMPLEMENT**
- (75) Inventor: **Carter W. McGuyer**, Muscle Shoals, AL (US)
- (73) Assignee: **Robbins Industries, Inc.**, Florence, AL (US)
- (**) Term: **14 Years**
- (21) Appl. No.: **29/195,822**
- (22) Filed: **Dec. 17, 2003**

Related U.S. Application Data

- (62) Division of application No. 29/164,208, filed on Jul. 19, 2002, now Pat. No. Des. 486,993.
- (51) **LOC (7) Cl.** **07-04**
- (52) **U.S. Cl.** **D7/694**
- (58) **Field of Search** D7/694; D8/98; D3/18; 30/292, 299, 306, 307, 314, 315

References Cited

U.S. PATENT DOCUMENTS

482,830 A	*	9/1892	Morgan	30/319
1,577,880 A		3/1926	Stuart		
D172,235 S		5/1954	Marino		
D221,291 S		7/1971	Futter et al.		
D222,380 S	*	10/1971	Fraioli	D7/694
3,839,793 A		10/1974	Crapio		
4,207,673 A		6/1980	DiGirolamo et al.		
4,247,216 A		1/1981	Pansini		
4,425,709 A		1/1984	Quenzi		
4,432,137 A		2/1984	Okada		

4,941,232 A	7/1990	Decker et al.
4,953,862 A	9/1990	Uke et al.
5,479,708 A	1/1996	Thomas
5,535,484 A	7/1996	Gibson
5,598,634 A	2/1997	Berns
5,737,803 A	4/1998	Tisdale
5,752,968 A	5/1998	Jolly et al.
5,829,099 A	11/1998	Kopelman et al.
5,933,918 A	8/1999	Wallays
D420,887 S	2/2000	Chen
6,115,921 A	9/2000	Garneau, Sr.
RE37,190 E	5/2001	Stowell et al.
6,230,366 B1	5/2001	Lin
D444,029 S	6/2001	Wold et al.
D451,358 S	12/2001	Griese et al.
D452,114 S	12/2001	Lin
D461,380 S	* 8/2002	Law D7/694

* cited by examiner

Primary Examiner—Terry A. Wallace
(74) *Attorney, Agent, or Firm*—Kramer Levin Naftalis & Frankel LLP; Gregor N. Neff

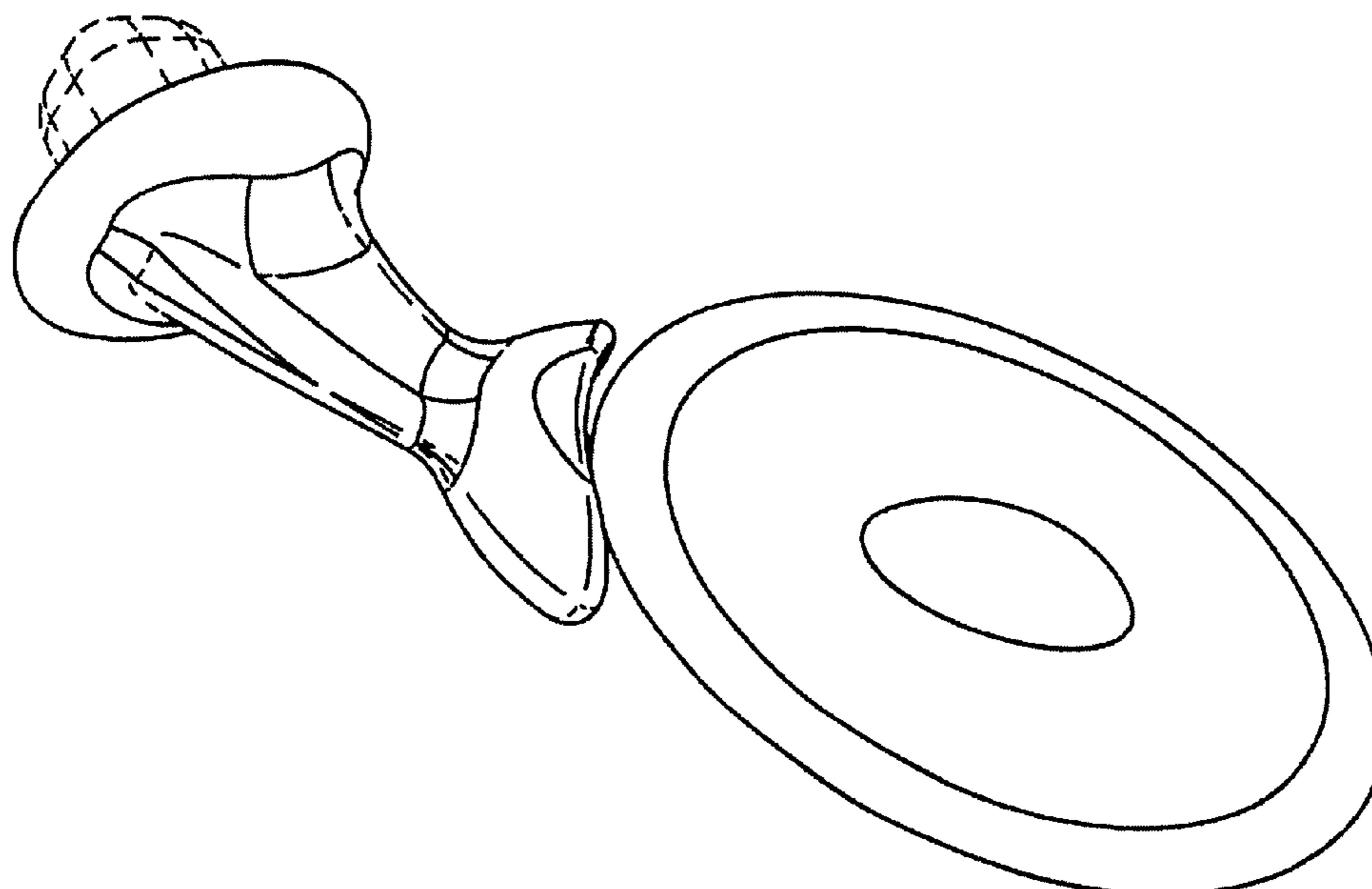
(57) **CLAIM**

The ornamental design for a pizza cutter implement, as shown and described.

DESCRIPTION

FIG. 1 is a top plan view of a pizza cutter implement showing my new design; the broken lines are for illustrative purposes only and form no part of the claimed design; FIG. 2 is a side elevation view thereof; FIG. 3 is a front elevation view thereof; and, FIG. 4 is a perspective view thereof.

1 Claim, 1 Drawing Sheet



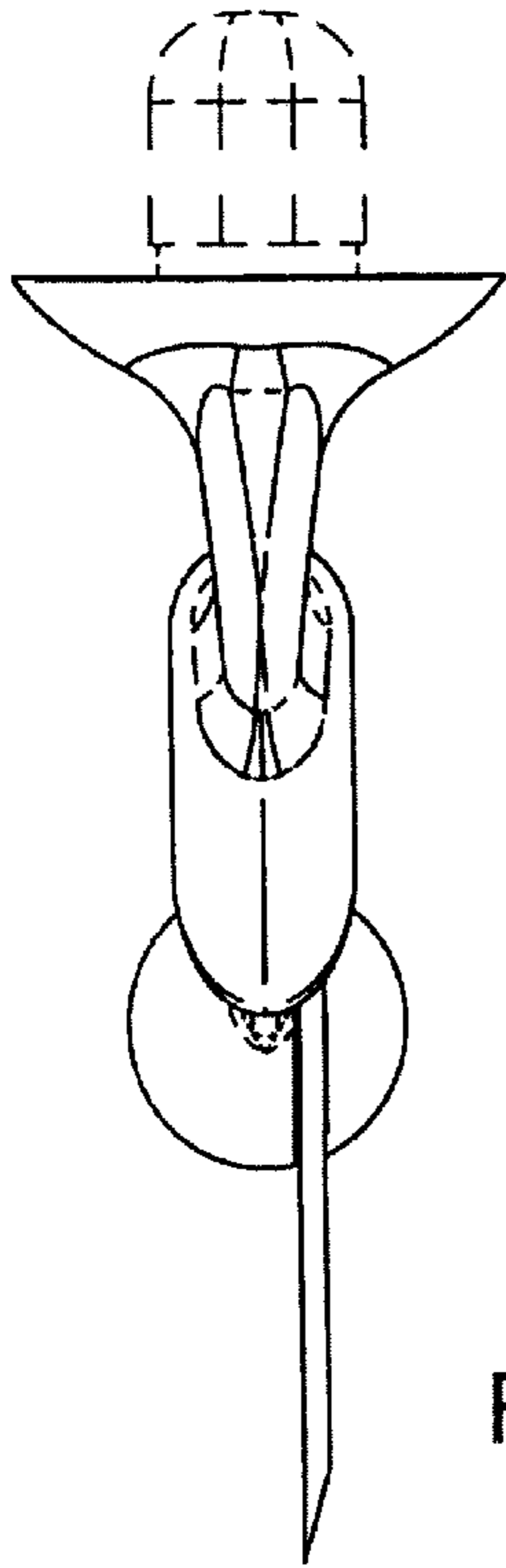


FIG. 1

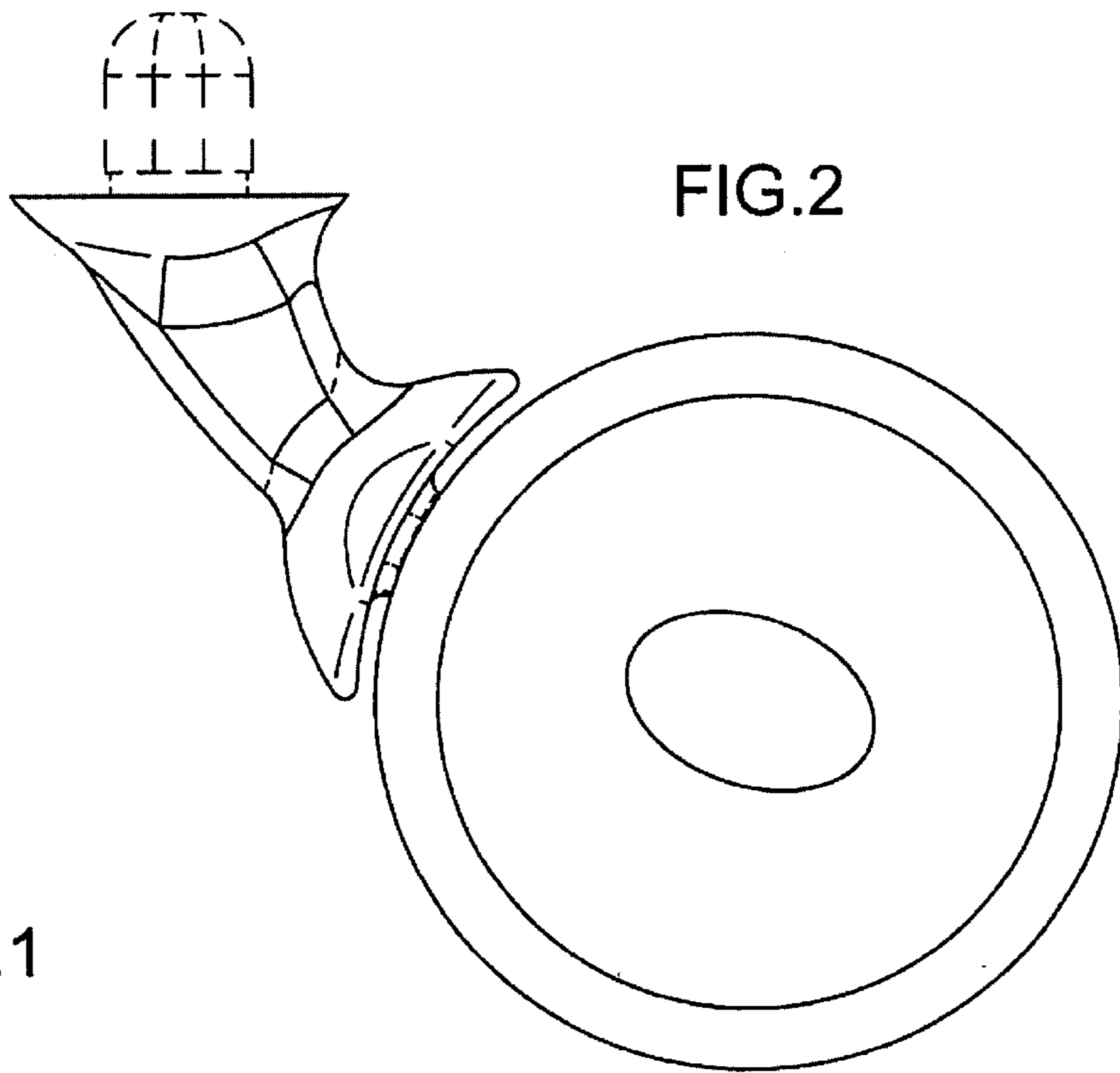


FIG. 2

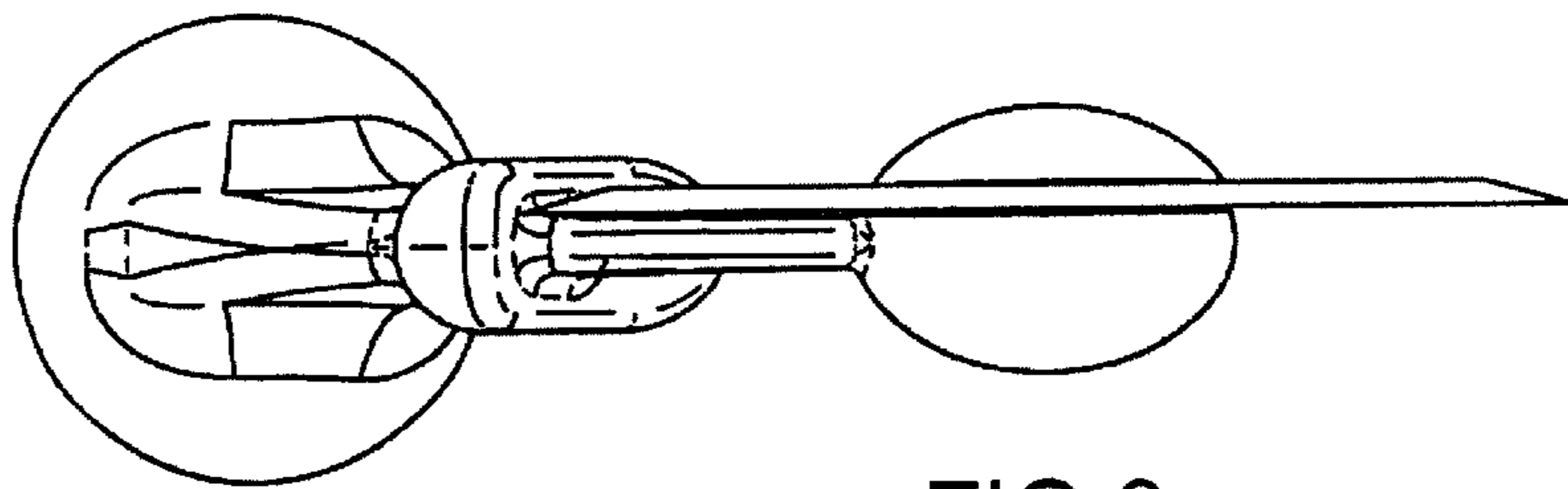


FIG. 3

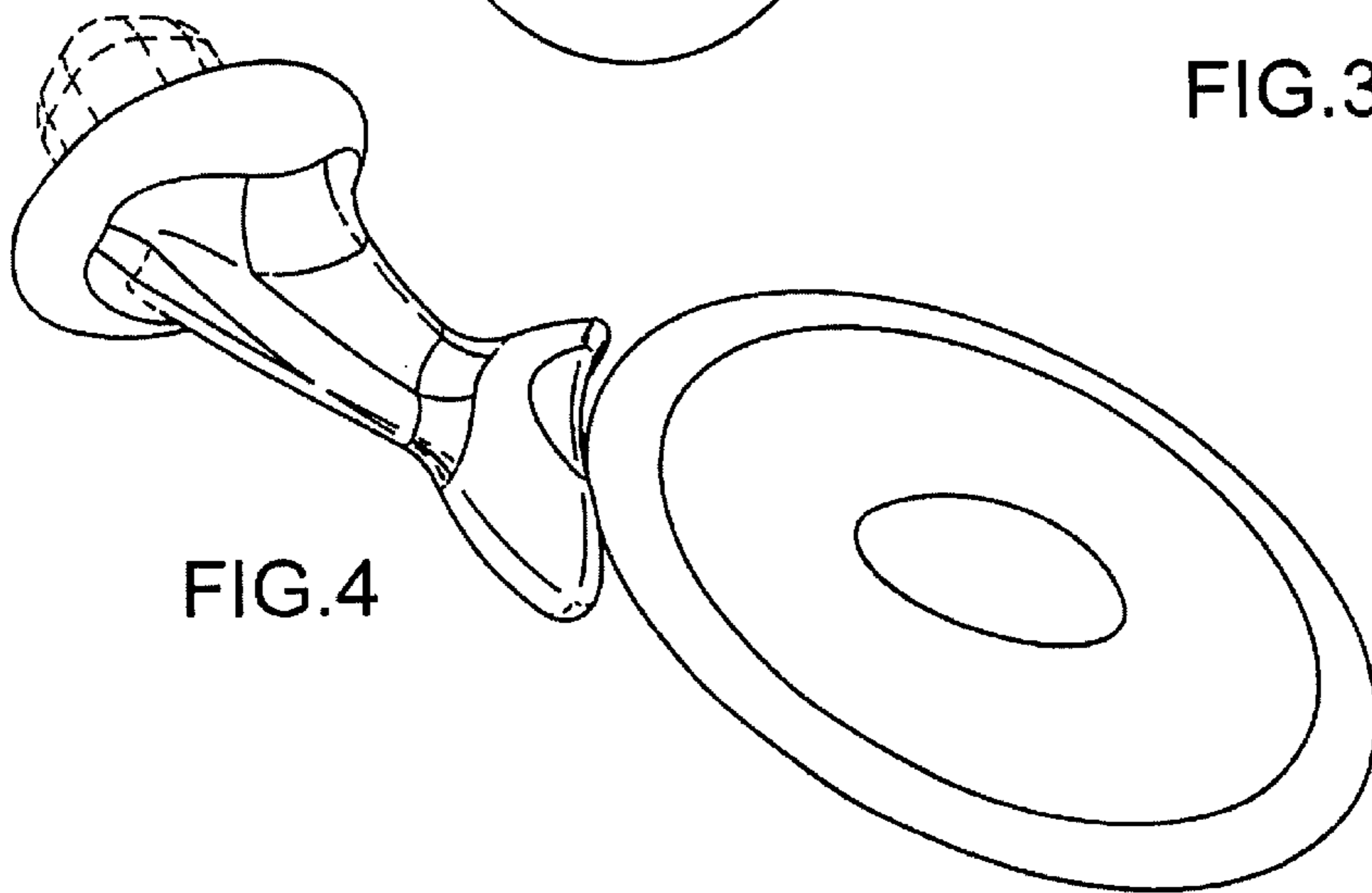


FIG. 4