



US00D504286S

(12) **United States Design Patent**
de Cleir

(10) **Patent No.: US D504,286 S**

(45) **Date of Patent: ** Apr. 26, 2005**

(54) **EGG MOLD**

D395,208 S 6/1998 VanHalteren et al.
D420,866 S 2/2000 VanHalteren et al.

(75) Inventor: **Piaras Valdis de Cleir**, Sleepy Hollow,
NY (US)

* cited by examiner

(73) Assignee: **Kraft Foods Holdings, Inc.**, Northfield,
IL (US)

Primary Examiner—Terry A. Wallace
(74) *Attorney, Agent, or Firm*—Stites & Harbison PLLC;
Marvin Petry

(**) Term: **14 Years**

(57) **CLAIM**

(21) Appl. No.: **29/194,129**

The ornamental design for an egg mold, as shown and
described.

(22) Filed: **Nov. 20, 2003**

DESCRIPTION

(51) **LOC (7) Cl.** **07-04**

(52) **U.S. Cl.** **D7/675**

(58) **Field of Search** D7/672, 675; D9/643,
D9/737, 757, 758, 762; 249/119, 121, 170;
206/521.1–594

FIG. 1 is a top front perspective view of an egg mold
showing my new design.

FIG. 2 is a front elevational view thereof.

FIG. 3 is a right side elevational view thereof, wherein the
left side elevational view is a mirror image thereof.

FIG. 4 is a top plan view thereof.

FIG. 5 is a bottom plan view thereof.

FIG. 6 is a rear elevational view thereof.

FIG. 7 is a top plan view thereof in an opened position; and,

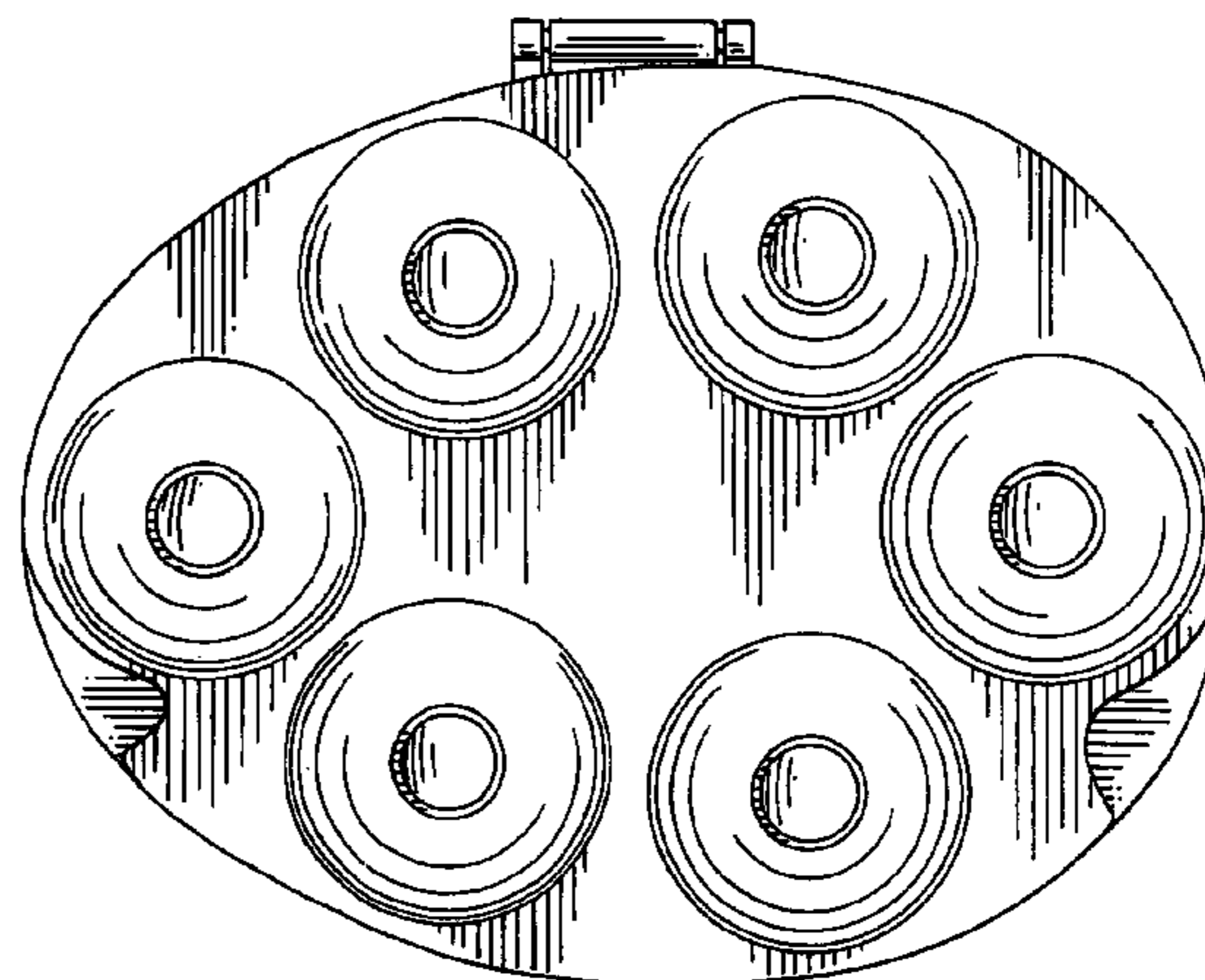
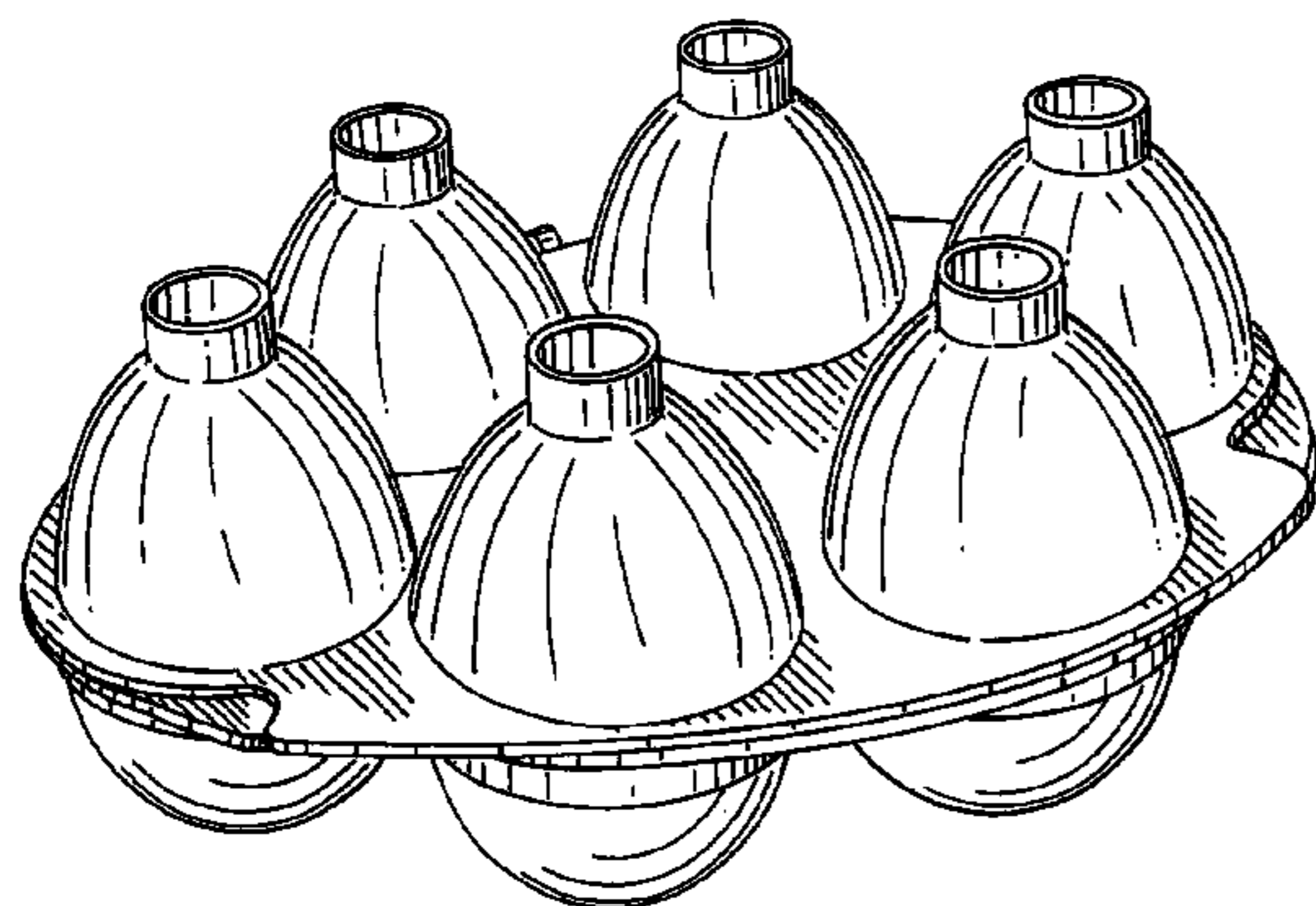
FIG. 8 is a top front perspective view in an opened position.

(56) **References Cited**

U.S. PATENT DOCUMENTS

3,131,846 A * 5/1964 Whiteford 206/521.8
5,305,687 A * 4/1994 Cantrell et al. 249/170
D346,552 S * 5/1994 Krupa D9/757
D368,414 S 4/1996 VanHalteren et al.

1 Claim, 8 Drawing Sheets



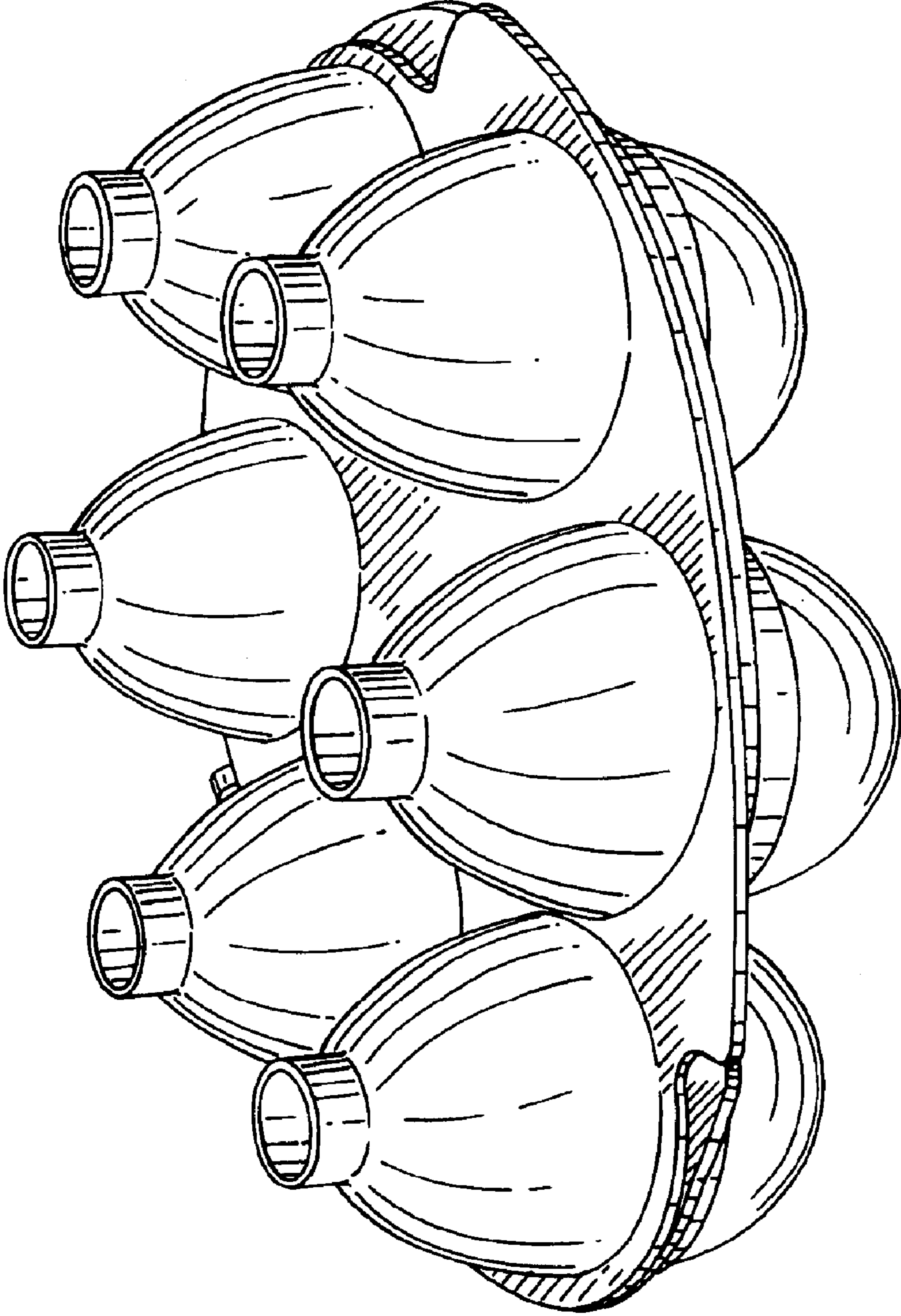


Fig. 1

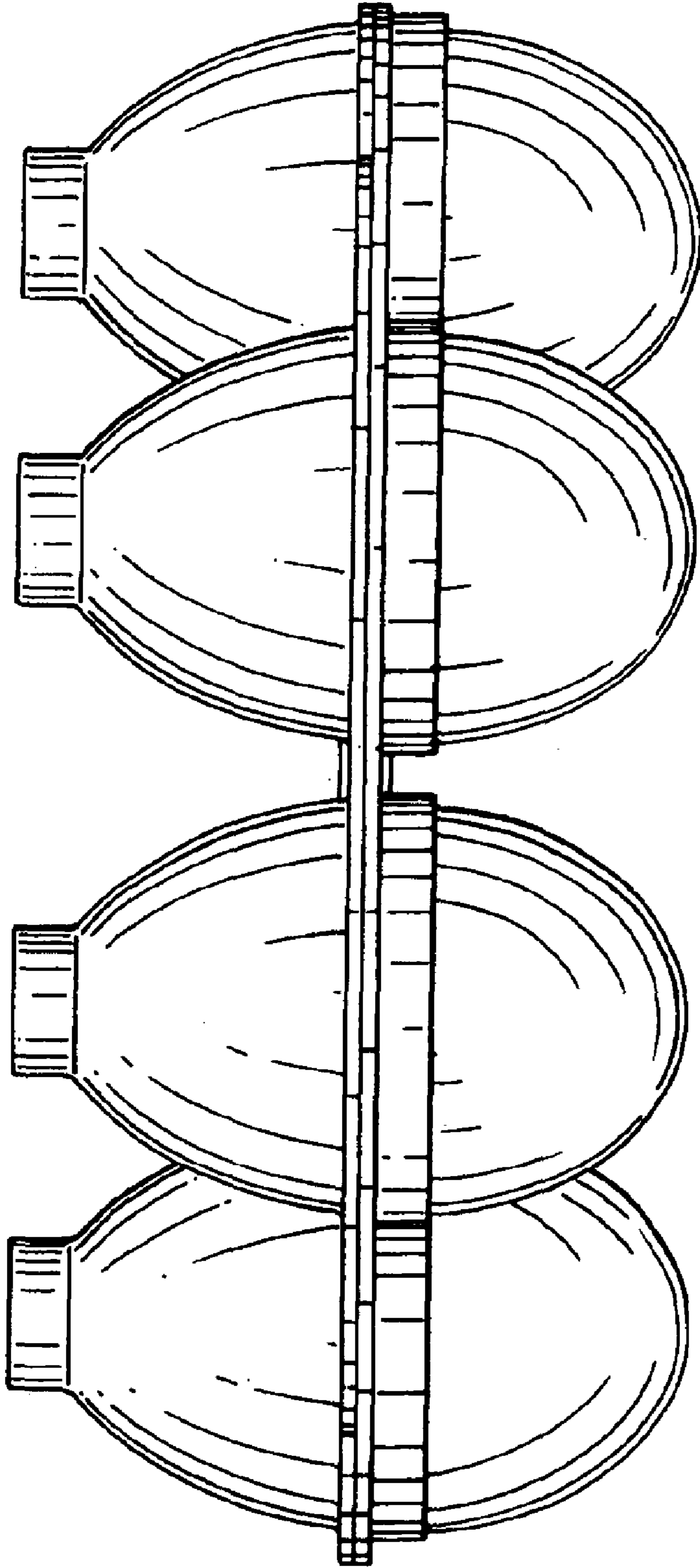


Fig. 2

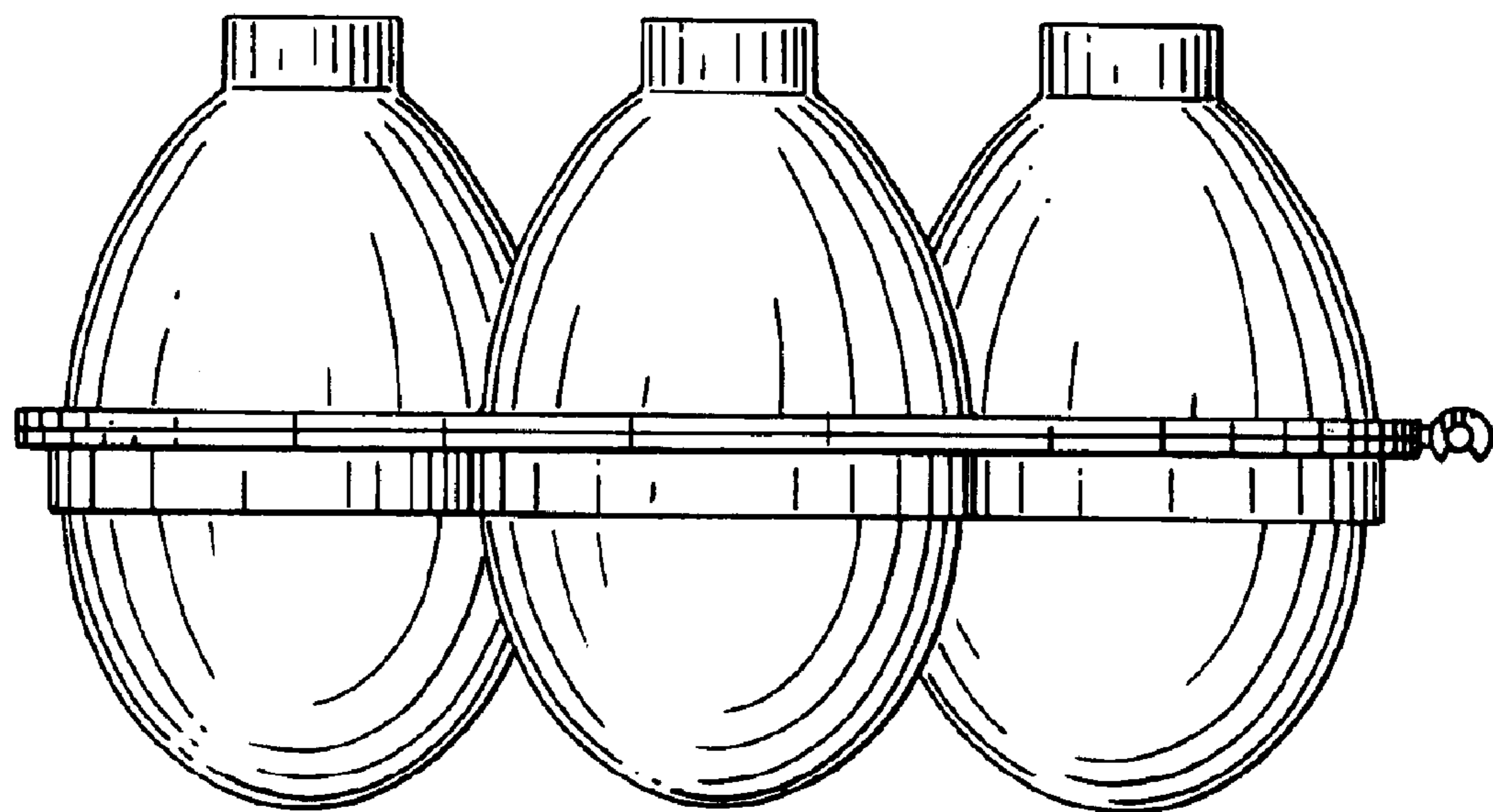


Fig. 3

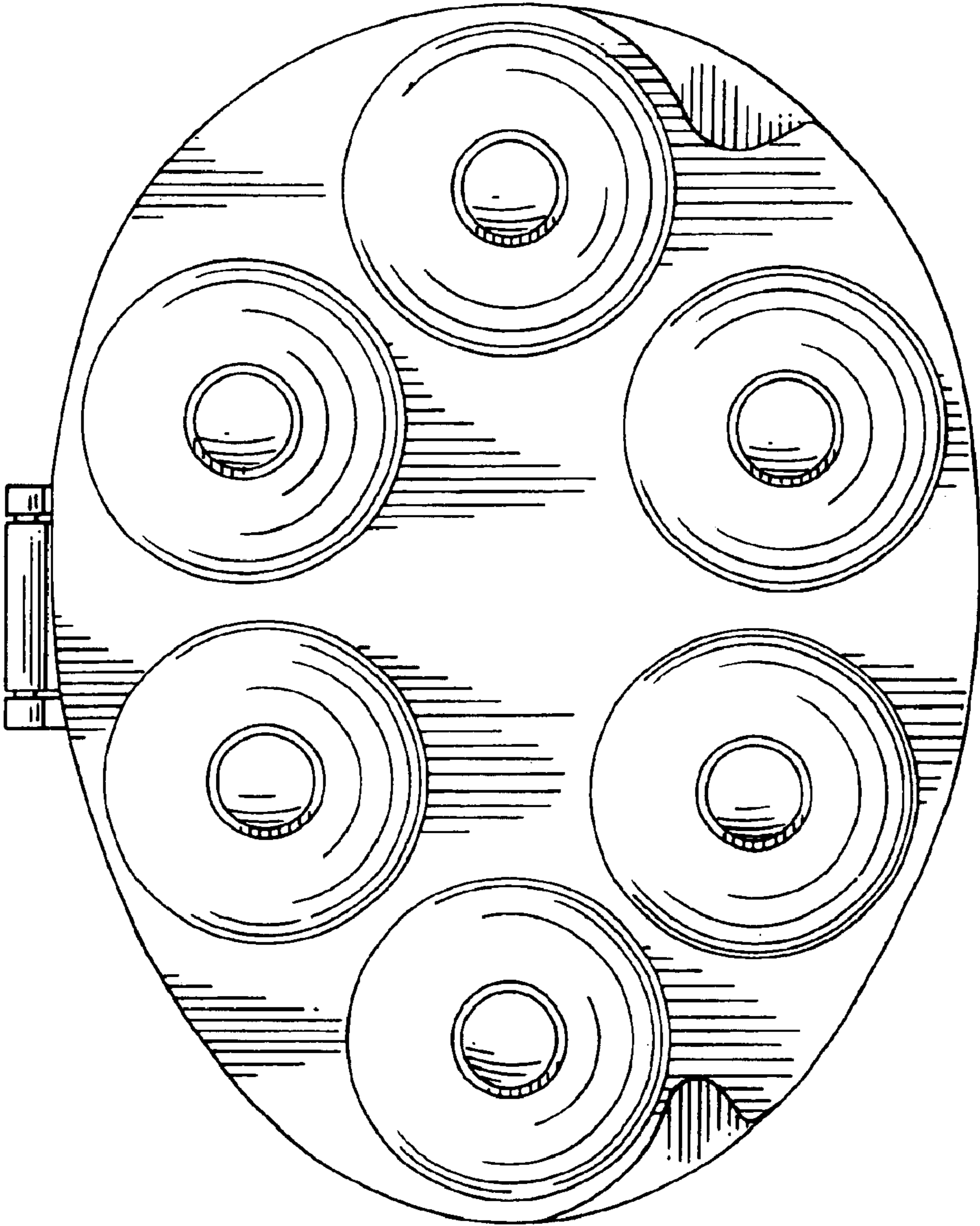


Fig. 4

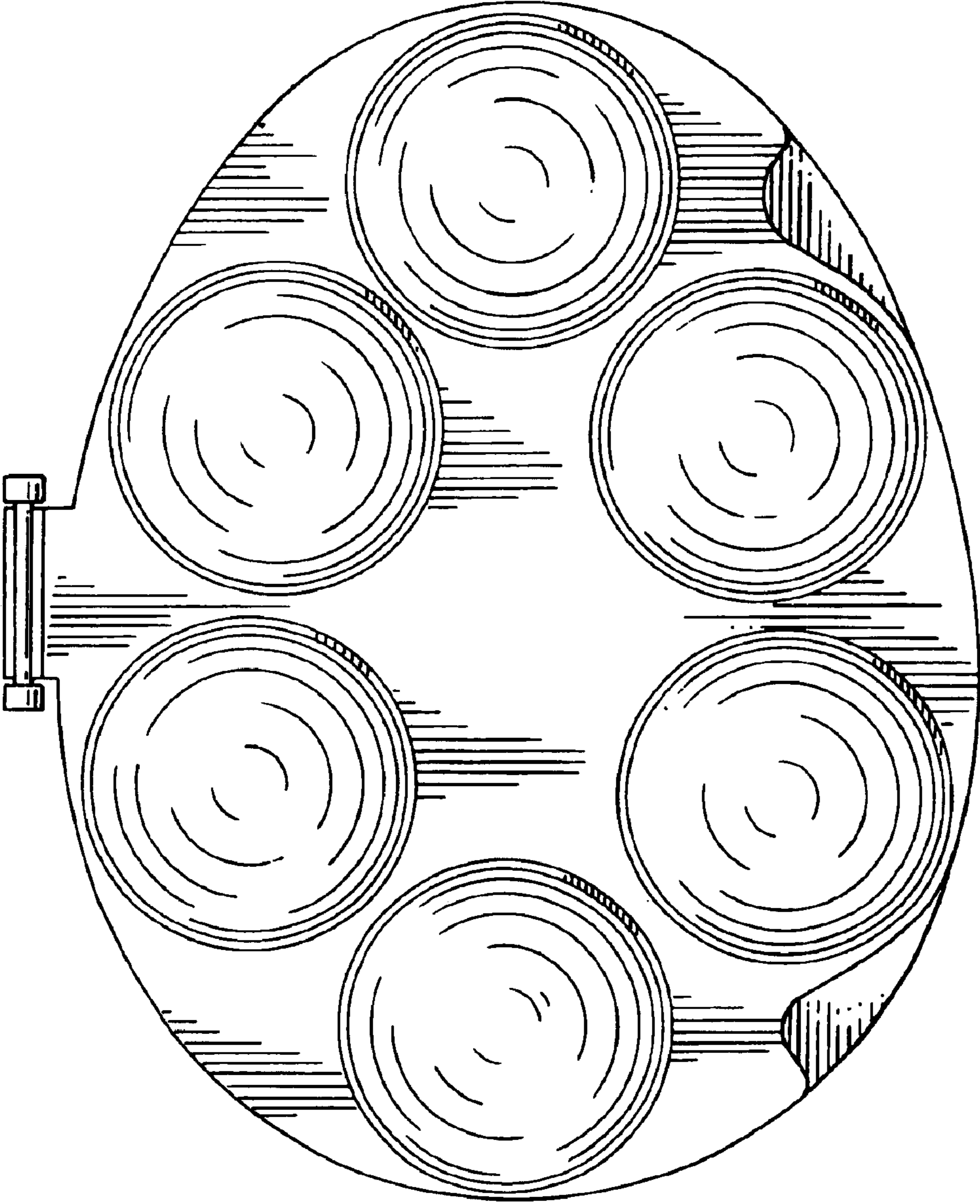


Fig. 5

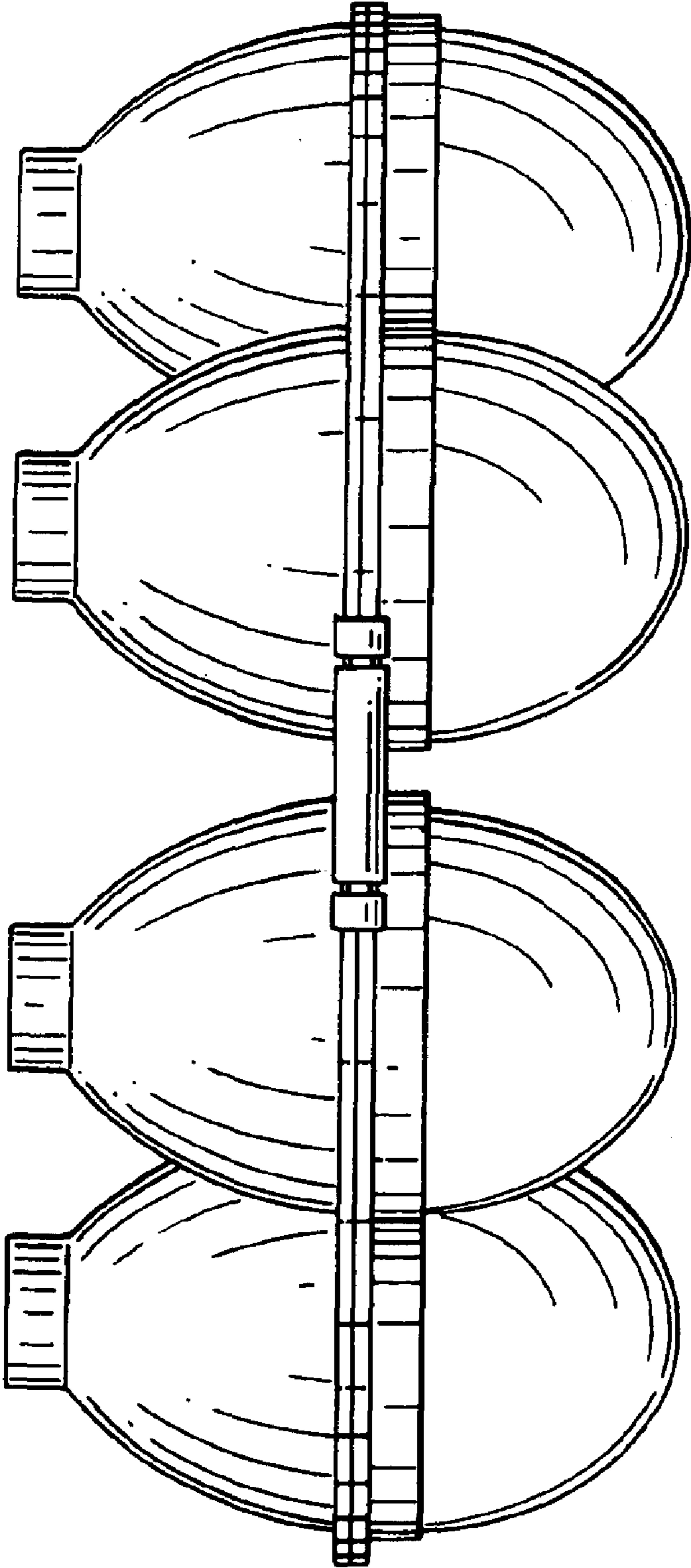


Fig. 6

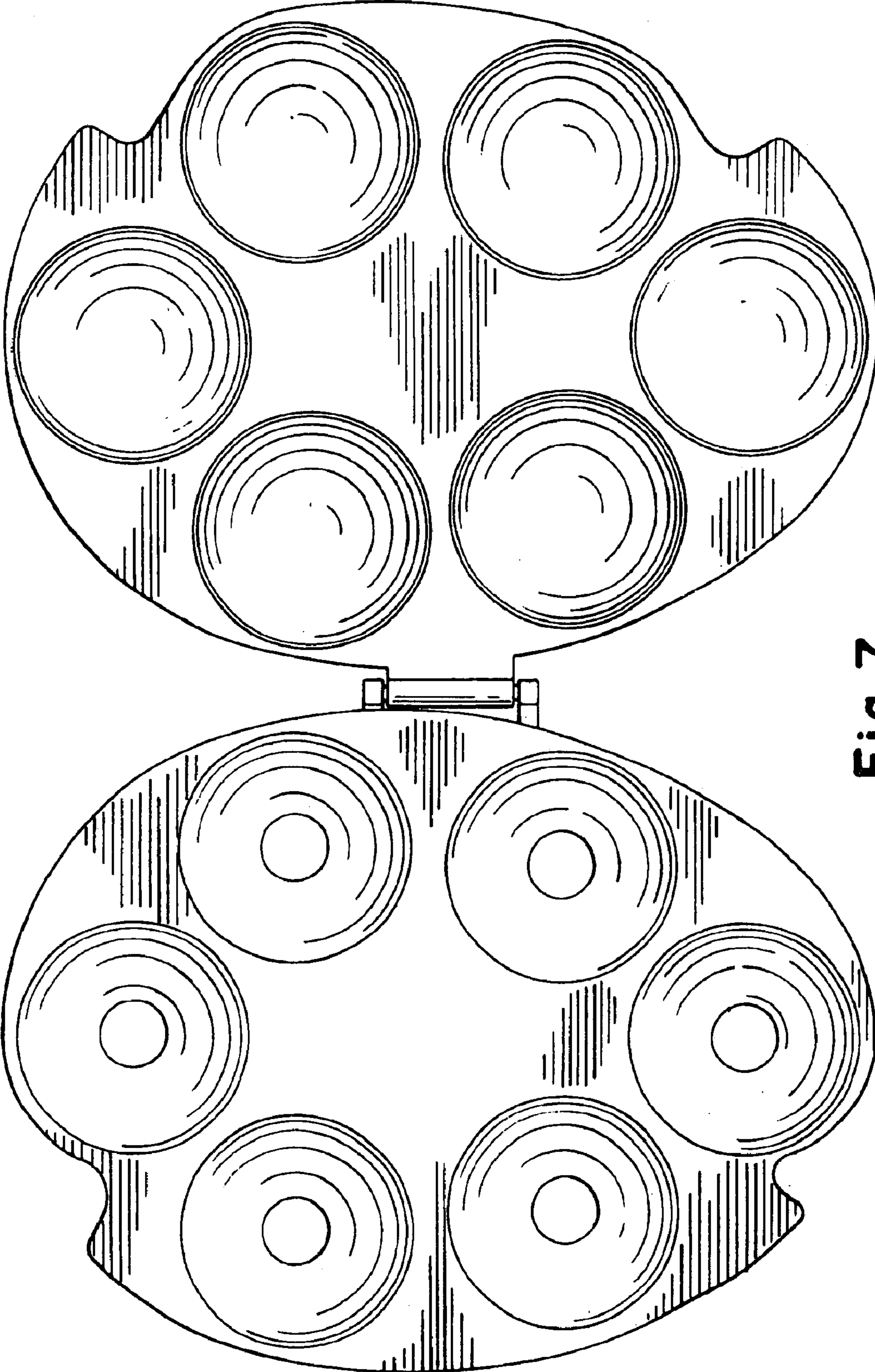


Fig. 7

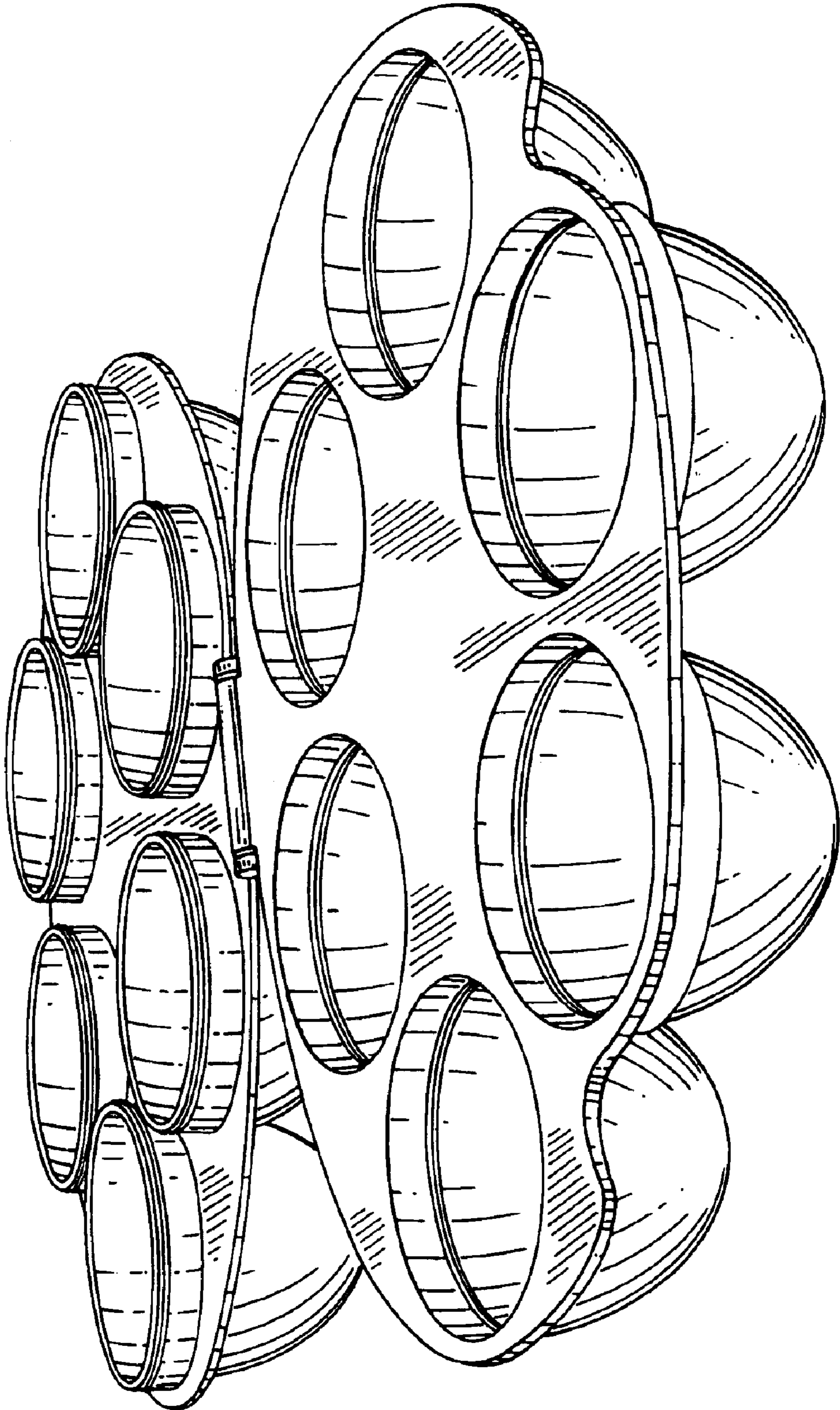


Fig. 8