

US00D504285S

(12) **United States Design Patent**
Lowe

(10) **Patent No.:** **US D504,285 S**

(45) **Date of Patent:** **** Apr. 26, 2005**

(54) **BEVERAGE CAN COOLER**

(76) **Inventor:** **Graham C. Lowe**, 2559 Caroline Ave.,
Bexley, OH (US) 43209

(**) **Term:** **14 Years**

(21) **Appl. No.:** **29/174,100**

(22) **Filed:** **Jan. 10, 2003**

(51) **LOC (7) Cl.** **07-06**

(52) **U.S. Cl.** **D7/625; D7/604; D7/606**

(58) **Field of Search** **D7/605-608, 619-625;**
D12/134, 136, 152, 153; 62/457.1-457.7;
215/392-396; 220/737, 739, 902, 903

(56) **References Cited**

U.S. PATENT DOCUMENTS

D183,288 S	7/1958	Nappe	
4,462,444 A *	7/1984	Larson	215/395
D304,538 S *	11/1989	Byrns	D7/608
D334,324 S	3/1993	Pierce	
D340,103 S	10/1993	Nolan	
D347,971 S	6/1994	Krugman	
D357,386 S	4/1995	Jones	
D394,517 S	5/1998	Gebhard, Sr.	
D395,200 S	6/1998	Bidwell	
D398,193 S	9/1998	Sanchez	
D402,503 S	12/1998	Sanchez	
D405,650 S	2/1999	Meier	
D407,673 S	4/1999	Kiser	
D439,115 S	3/2001	Bidwell	
6,206,223 B1	3/2001	Wicker	
D441,614 S *	5/2001	Carroll	D7/624.2
D445,778 S	7/2001	Eiler	

D448,250 S * 9/2001 Brangle et al. D7/606

* cited by examiner

Primary Examiner—Terry A. Wallace

(74) *Attorney, Agent, or Firm*—Jason H. Foster; Kremblas,
Foster, Phillips & Pollick

(57) **CLAIM**

The ornamental design for a beverage can cooler, as shown
and described.

DESCRIPTION

FIG. 1 is a perspective view of a beverage can cooler
showing my new design;

FIG. 2 is a top plan view thereof;

FIG. 3 is a bottom plan view thereof;

FIG. 4 is a side view thereof. All other sides thereof are
substantially identical.

FIG. 5 is a perspective view of an alternate embodiment of
FIG. 1;

FIG. 6 is a top plan view of FIG. 5;

FIG. 7 is a bottom plan view of FIG. 5;

FIG. 8 is a side view of FIG. 5. The other sides thereof are
substantially identical.

FIG. 9 is a perspective view of an alternate embodiment of
FIG. 1;

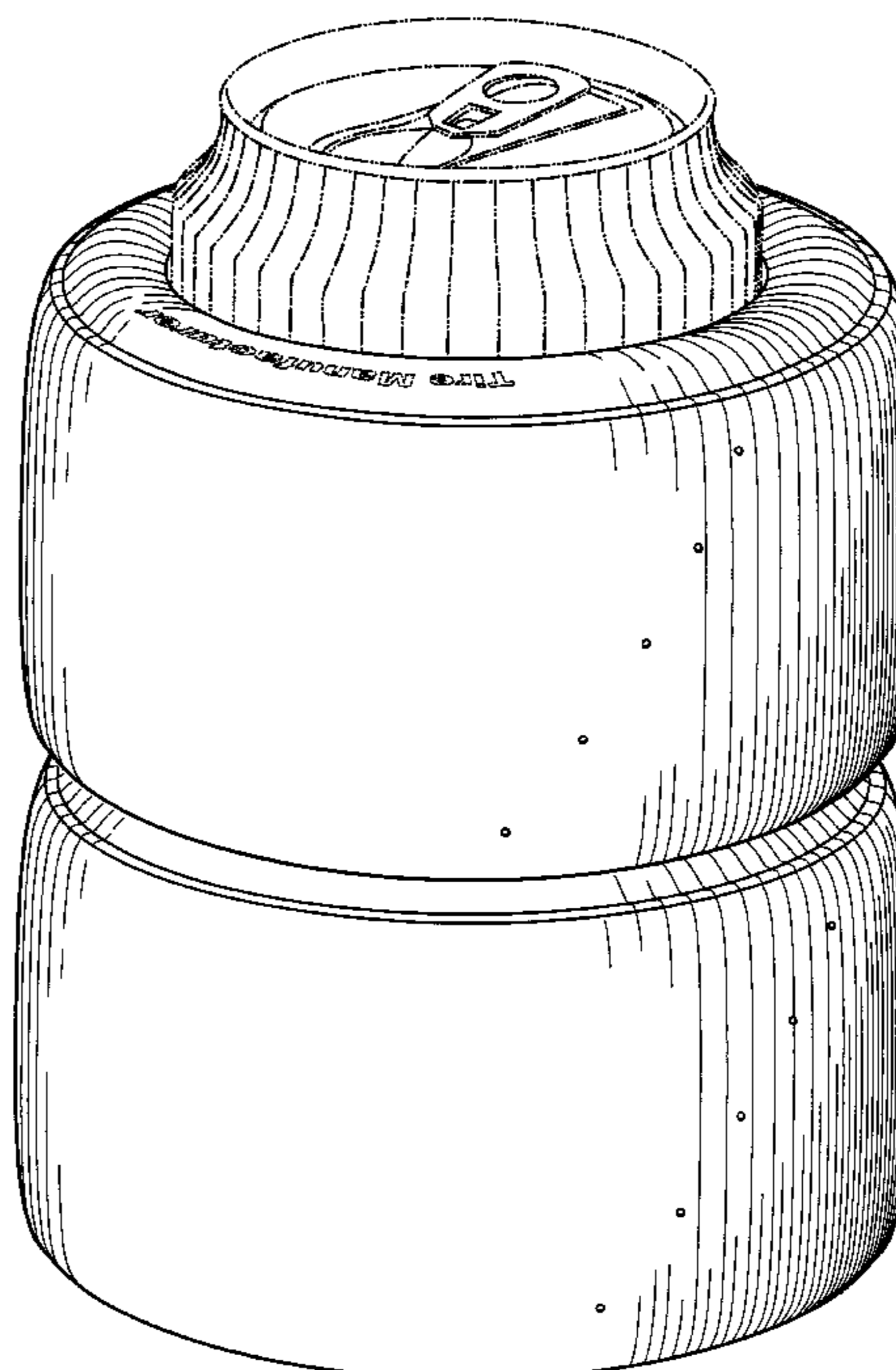
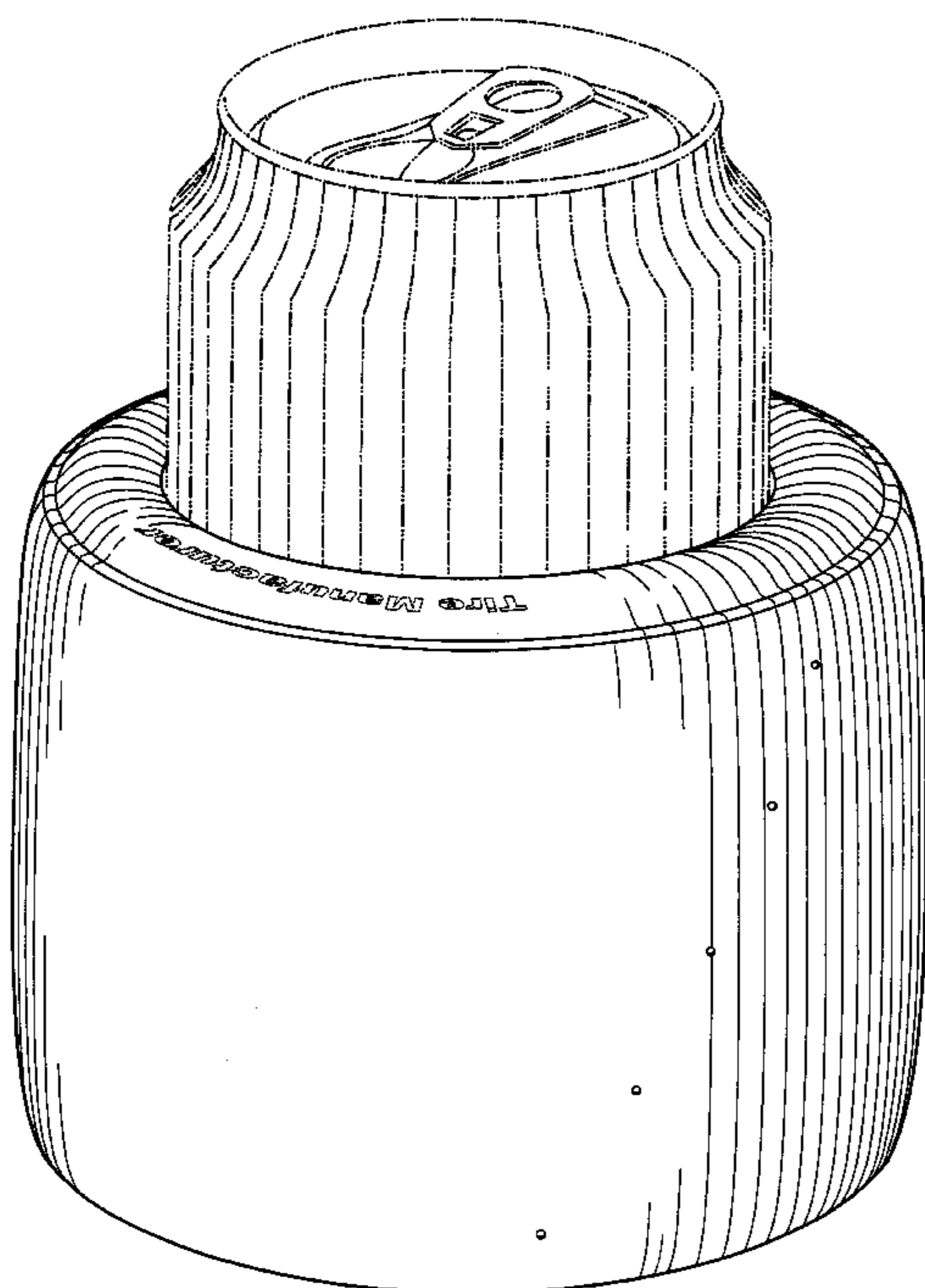
FIG. 10 is a top plan view of FIG. 9;

FIG. 11 is a bottom plan view of FIG. 1; and,

FIG. 12 is a side view of FIG. 9. The other sides thereof are
substantially identical.

The broken lines showing the can are for illustrative pur-
poses only and form no part of the claimed design.

1 Claim, 9 Drawing Sheets



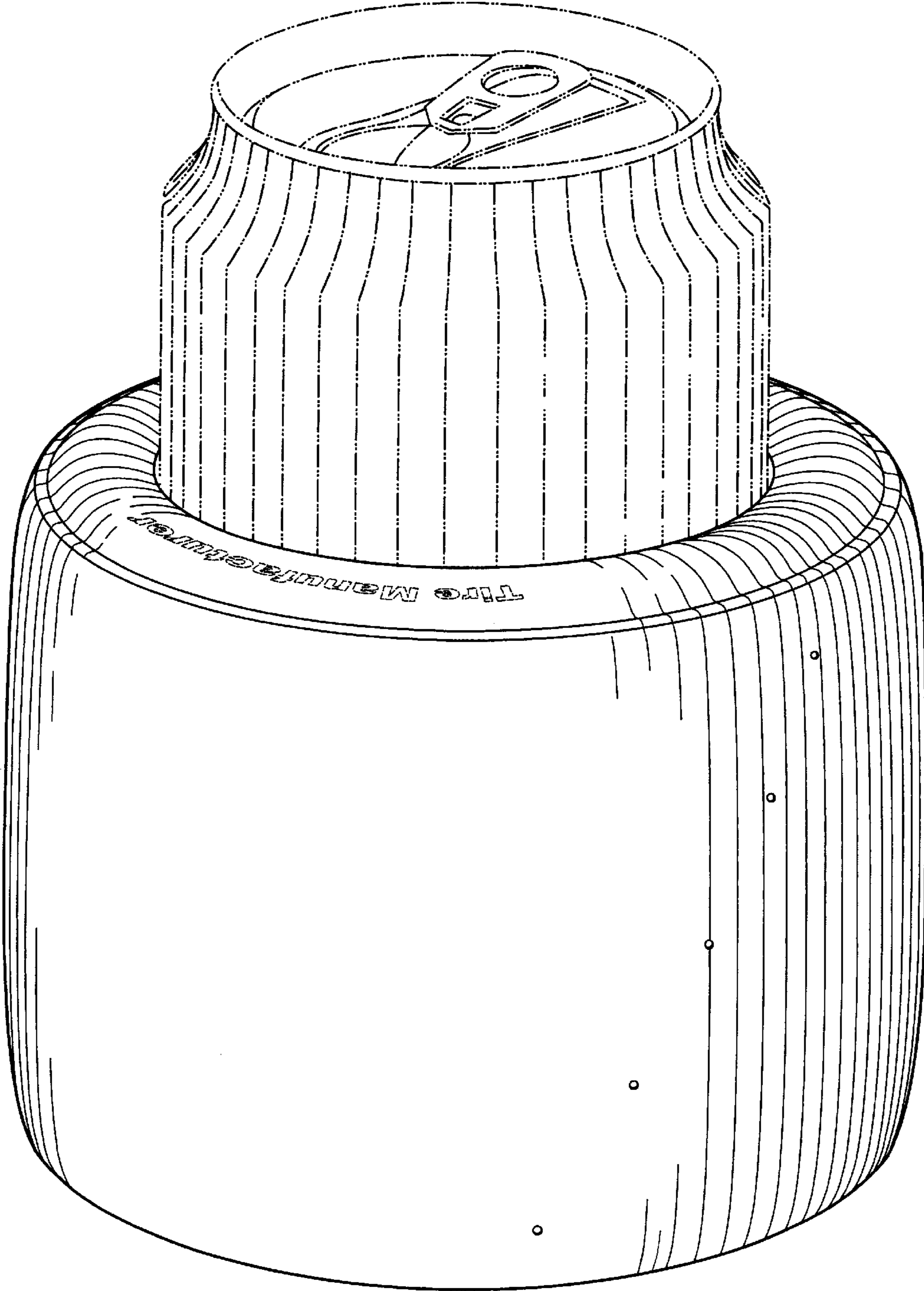


FIG. 1

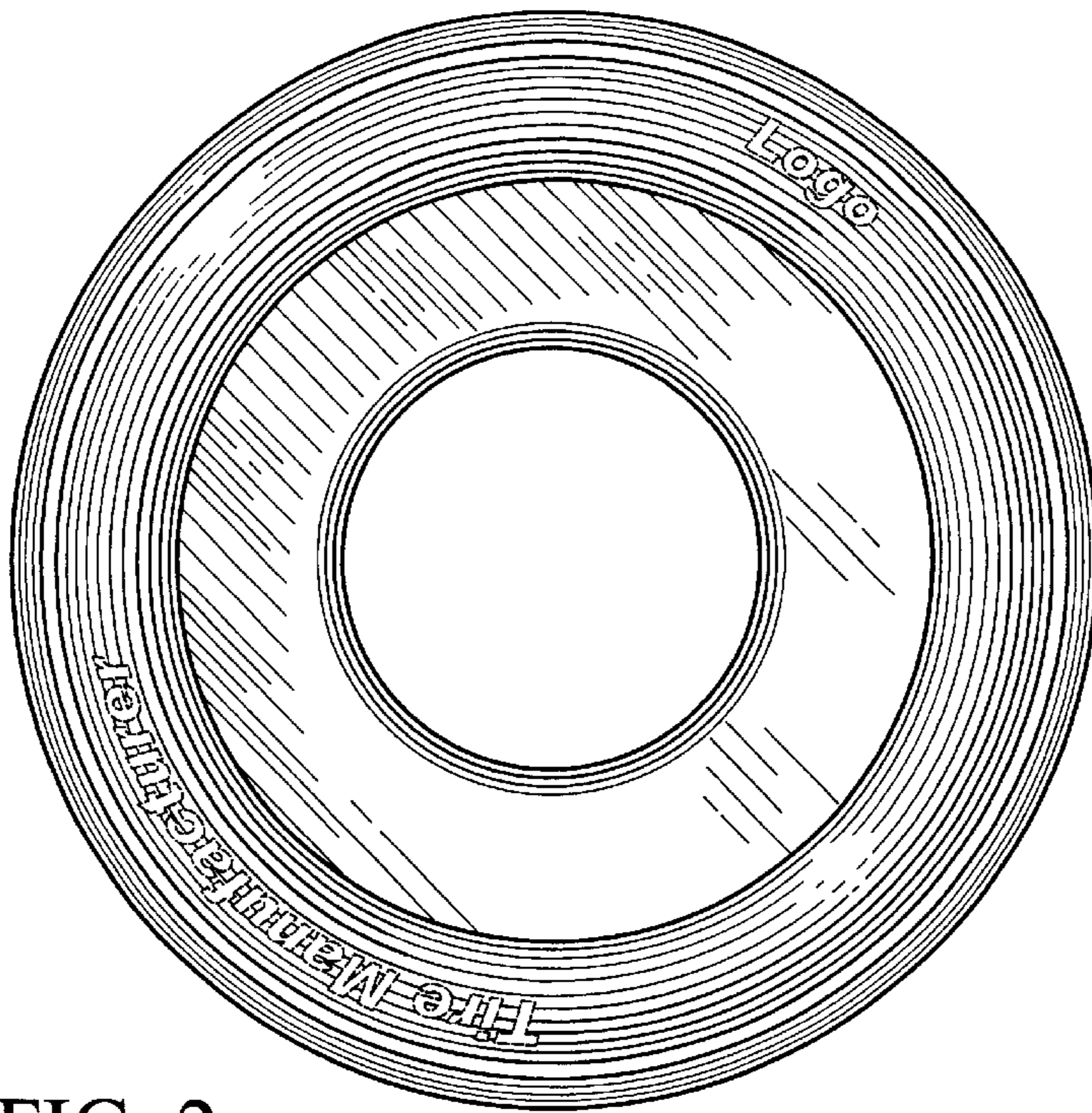


FIG. 2

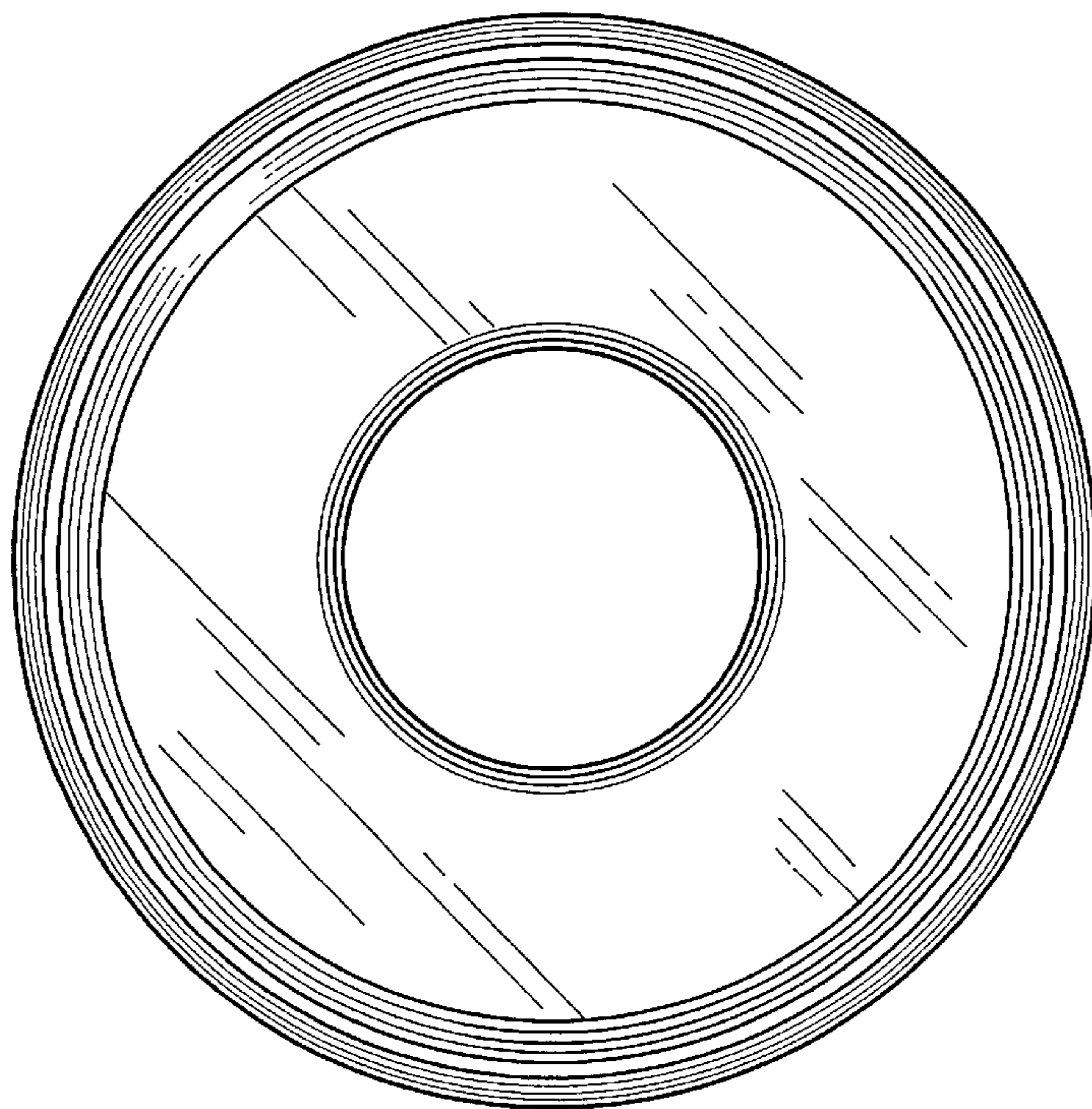


FIG. 3

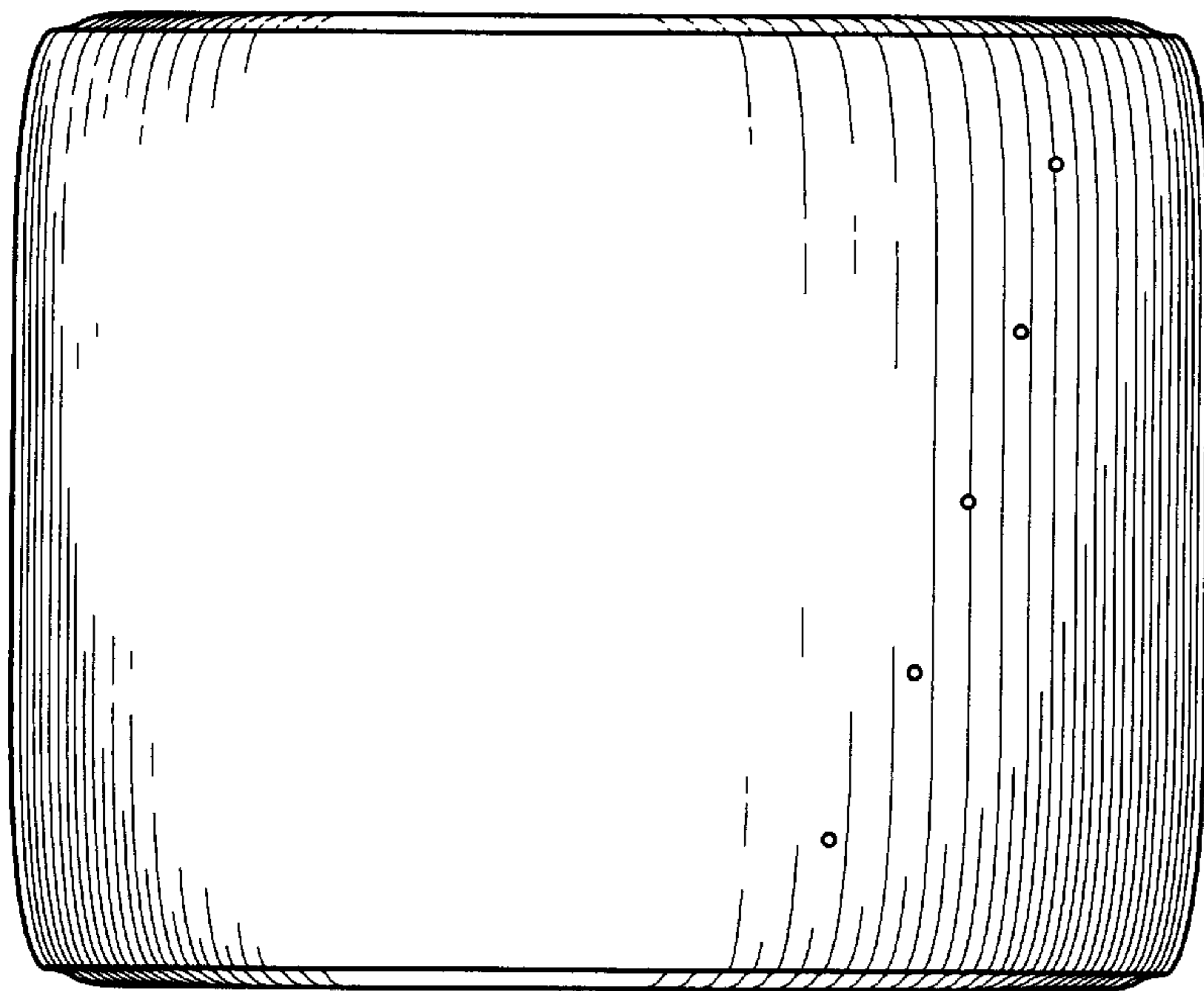


FIG. 4

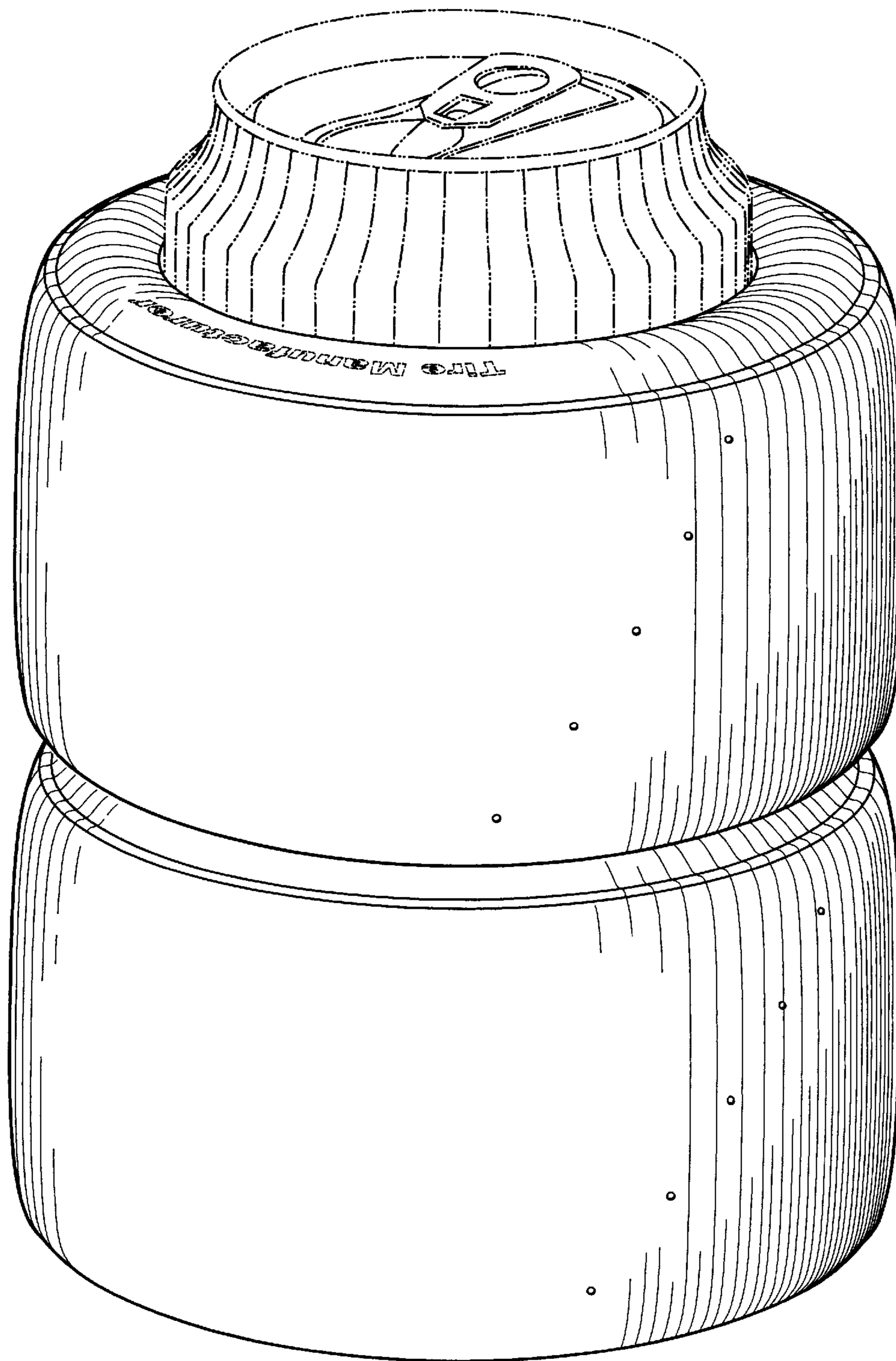


FIG. 5

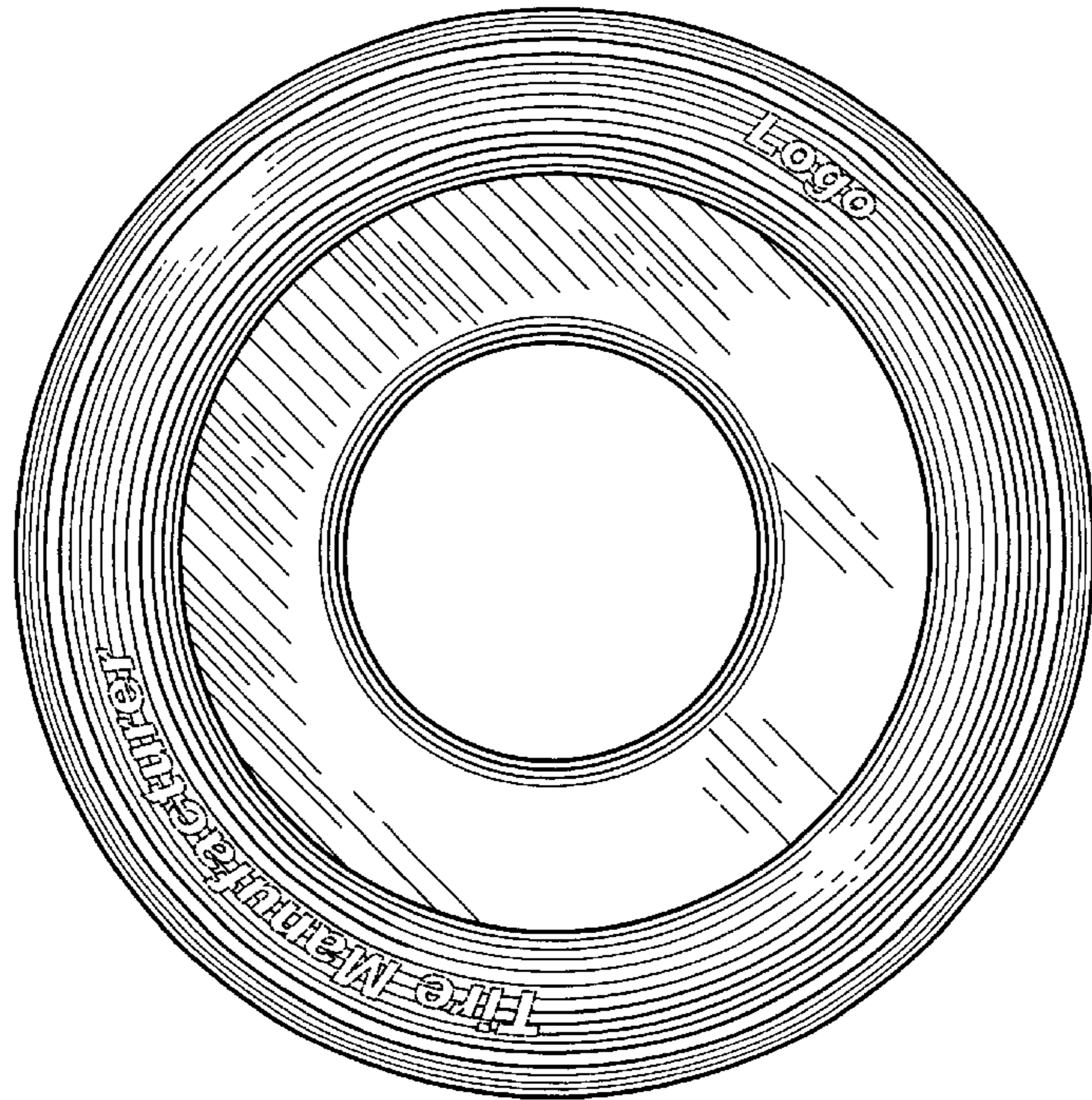


FIG. 6

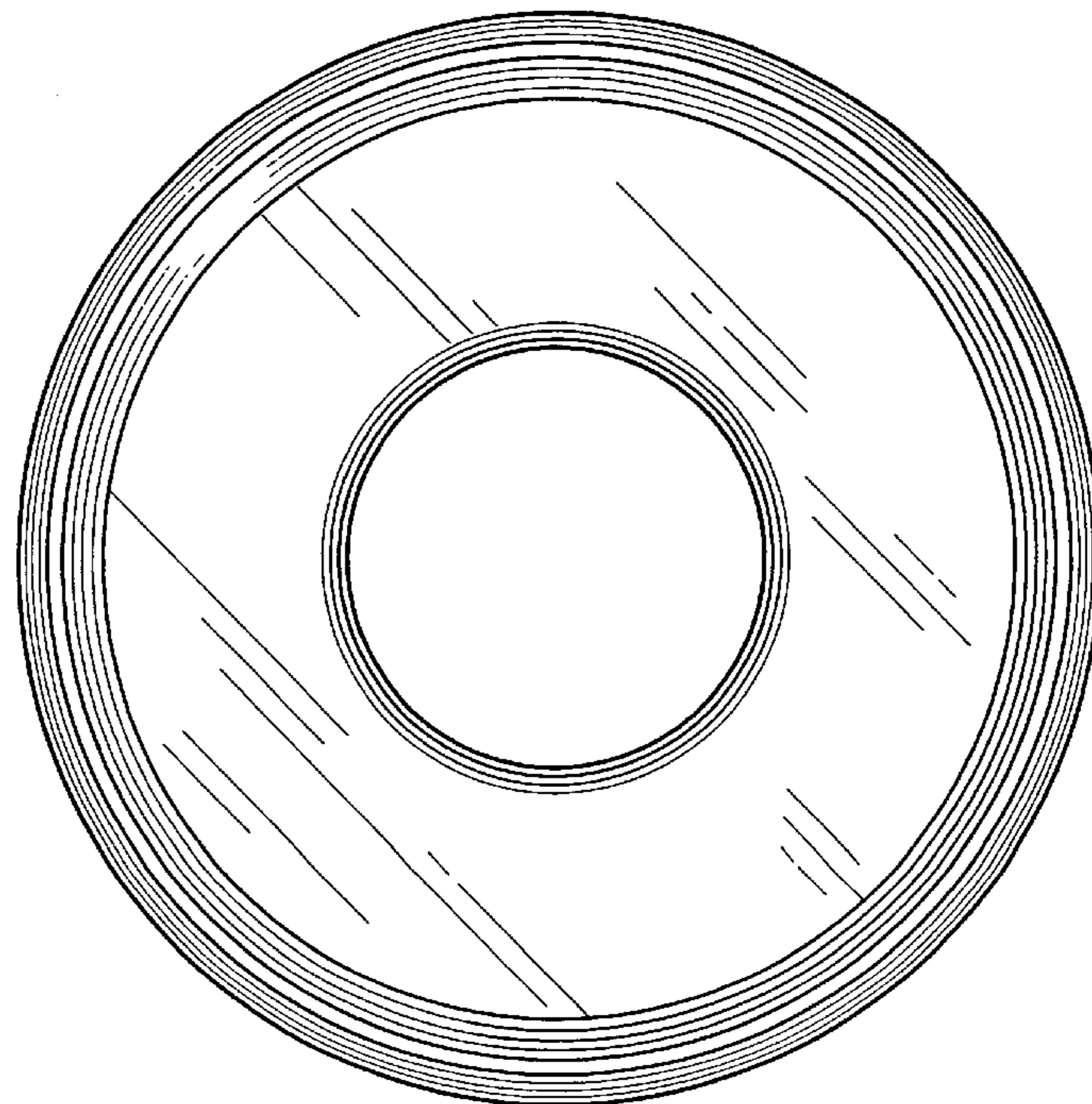


FIG. 7

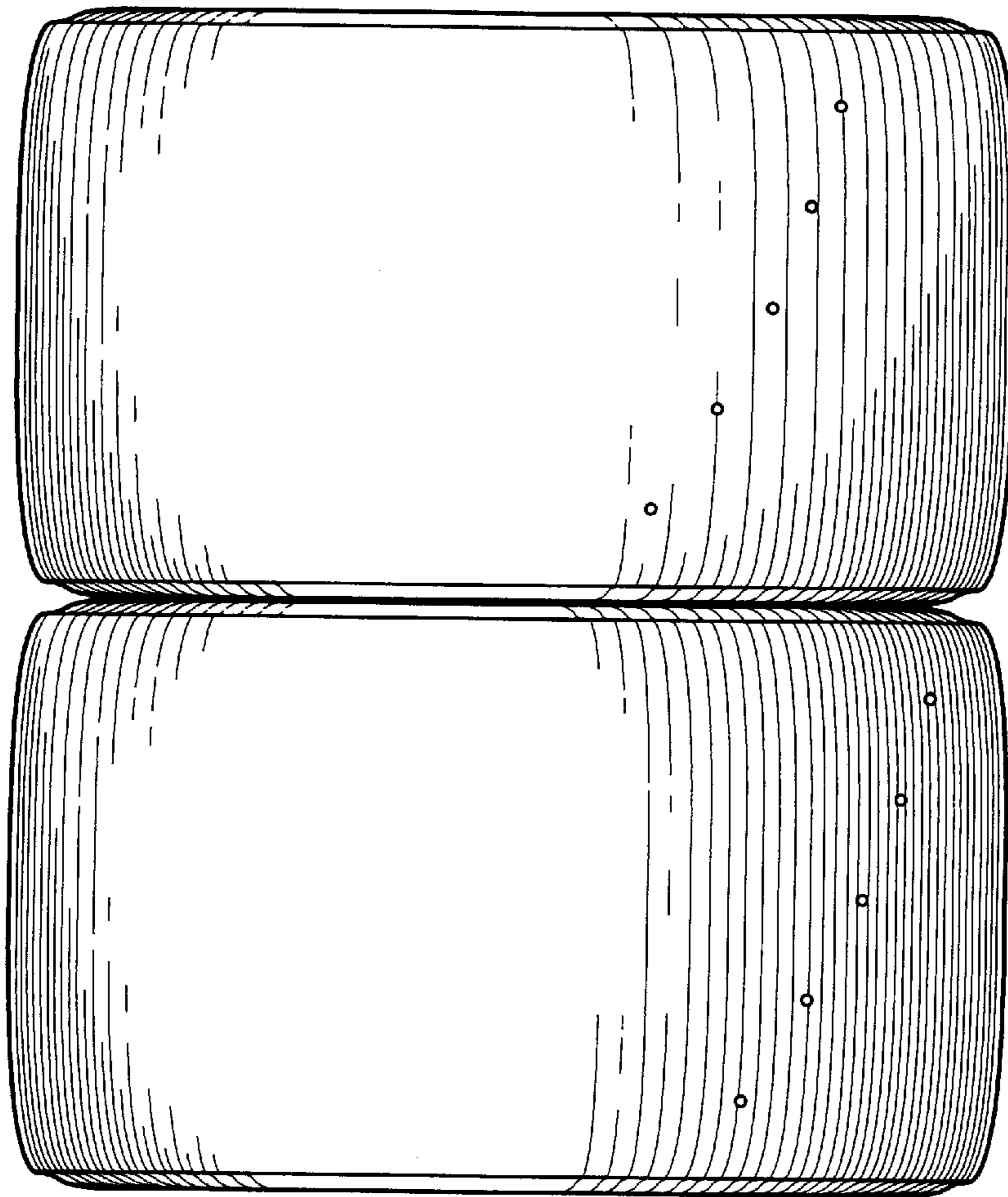


FIG. 8

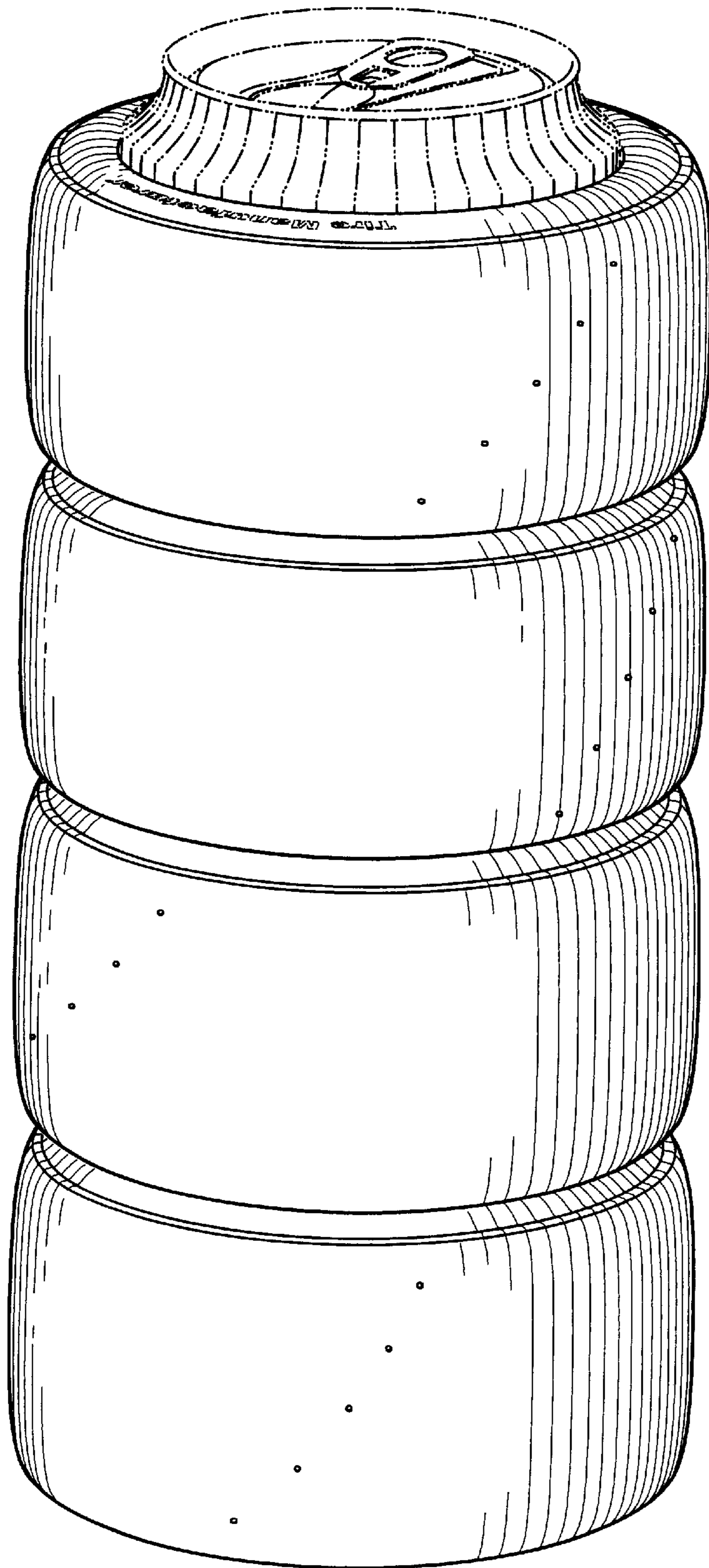


FIG. 9

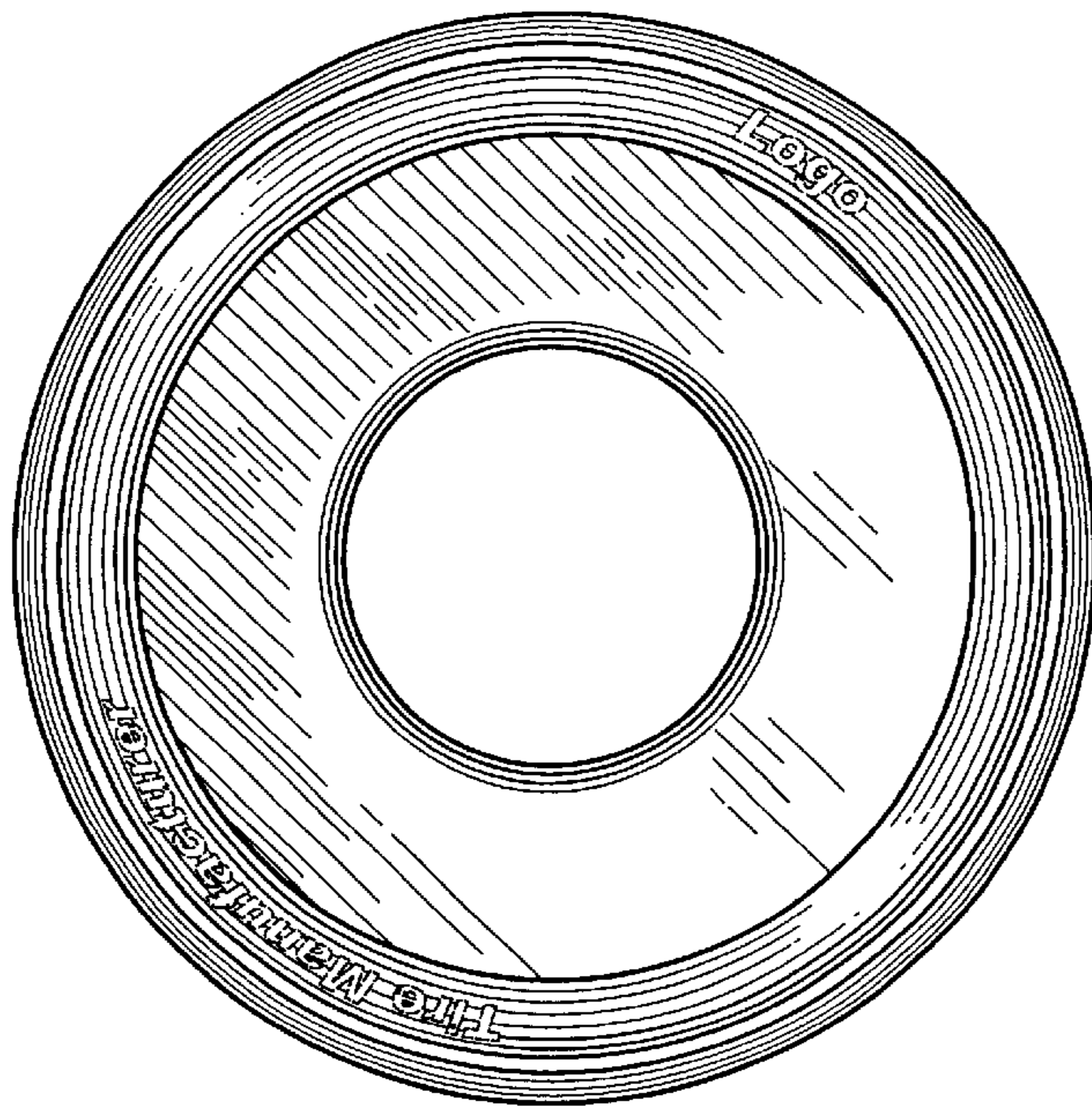


FIG. 10

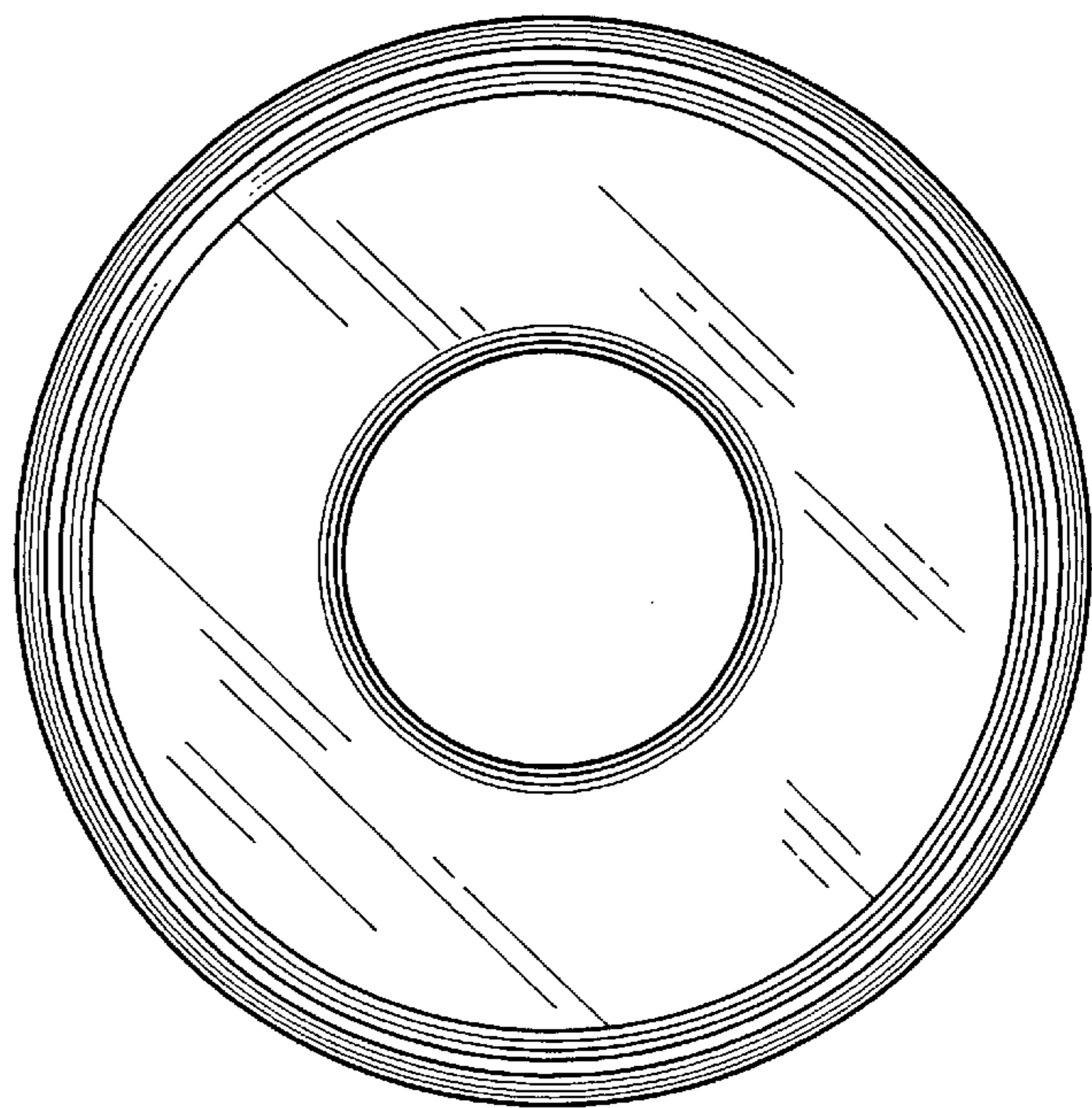


FIG. 11

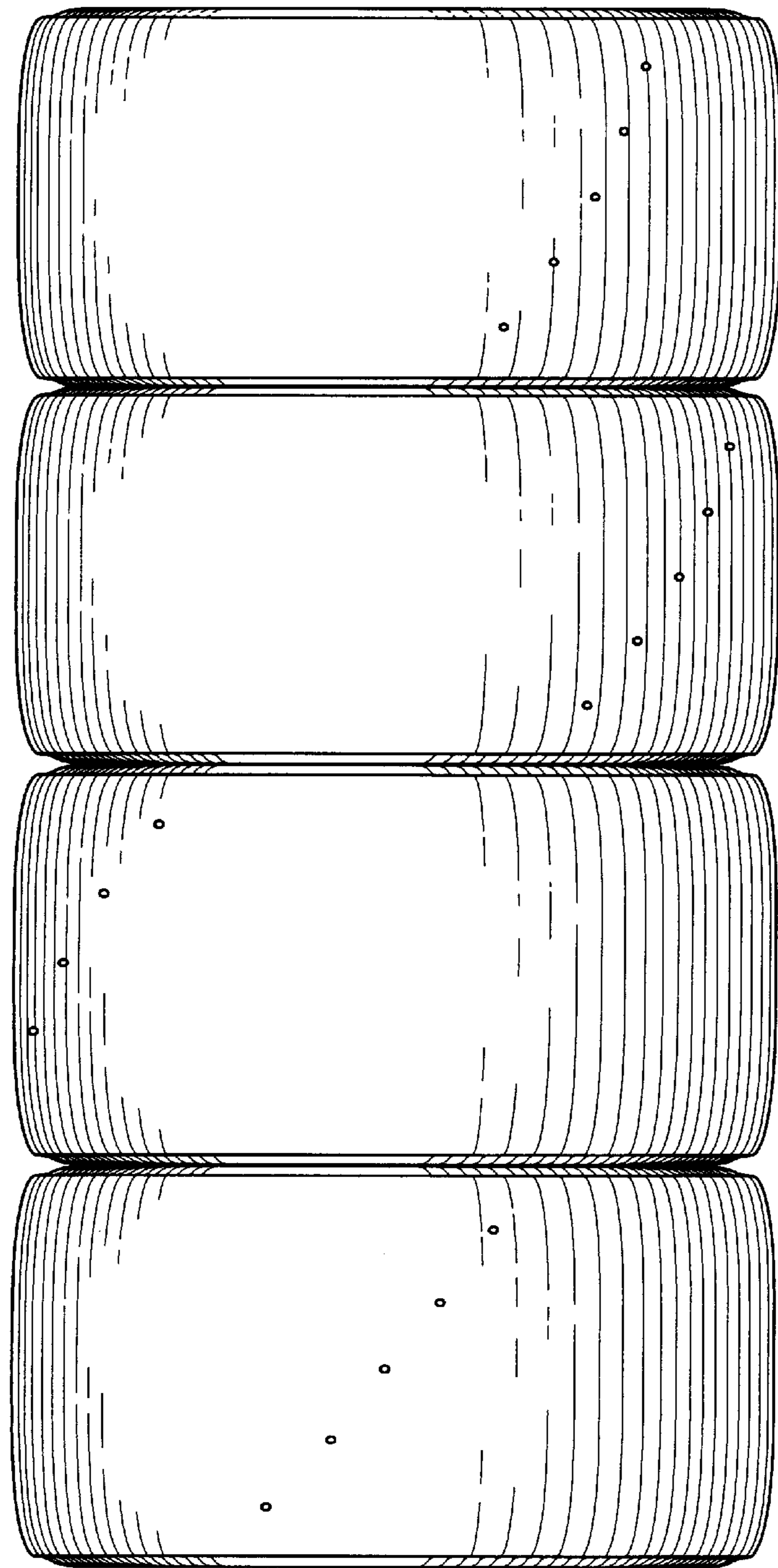


FIG. 12