

US00D504284S

(12) **United States Design Patent**
Corona et al.

(10) **Patent No.: US D504,284 S**

(45) **Date of Patent: ** Apr. 26, 2005**

(54) **SHOT DISPENSER**

(75) Inventors: **Gary L. Corona**, Dallas, TX (US);
Danny E. Swindler, Round Rock, TX
(US); **Jeffrey A. Reed**, Austin, TX (US)

(73) Assignee: **DGC Enterprises, LLC**, Dallas, TX
(US)

(**) Term: **14 Years**

(21) Appl. No.: **29/193,534**

(22) Filed: **Nov. 10, 2003**

(51) **LOC (7) Cl.** **07-06**

(52) **U.S. Cl.** **D7/600.4; D7/707; D7/708**

(58) **Field of Search** **D7/600-600.4,**
D7/701, 707, 708, 501, 505; 211/71.01,
74, 75, 77, 78, 126.1, 133.1, 129.1, 131.1

(56) **References Cited**

U.S. PATENT DOCUMENTS

429,893 A * 6/1890 Dahlstrom 211/77
1,718,015 A * 6/1929 Weidner 211/77
2,539,600 A * 1/1951 Waits 211/74

2,566,430 A * 9/1951 Sobers 211/77
2,739,759 A * 3/1956 Davidson et al. 211/77
4,775,055 A * 10/1988 Morse 211/78
5,425,460 A * 6/1995 Barbarian 211/77
6,796,441 B1 * 9/2004 Tremblay 211/74

* cited by examiner

Primary Examiner—Terry A. Wallace

(74) *Attorney, Agent, or Firm*—Law Offices of Thomas J.
Brindisi

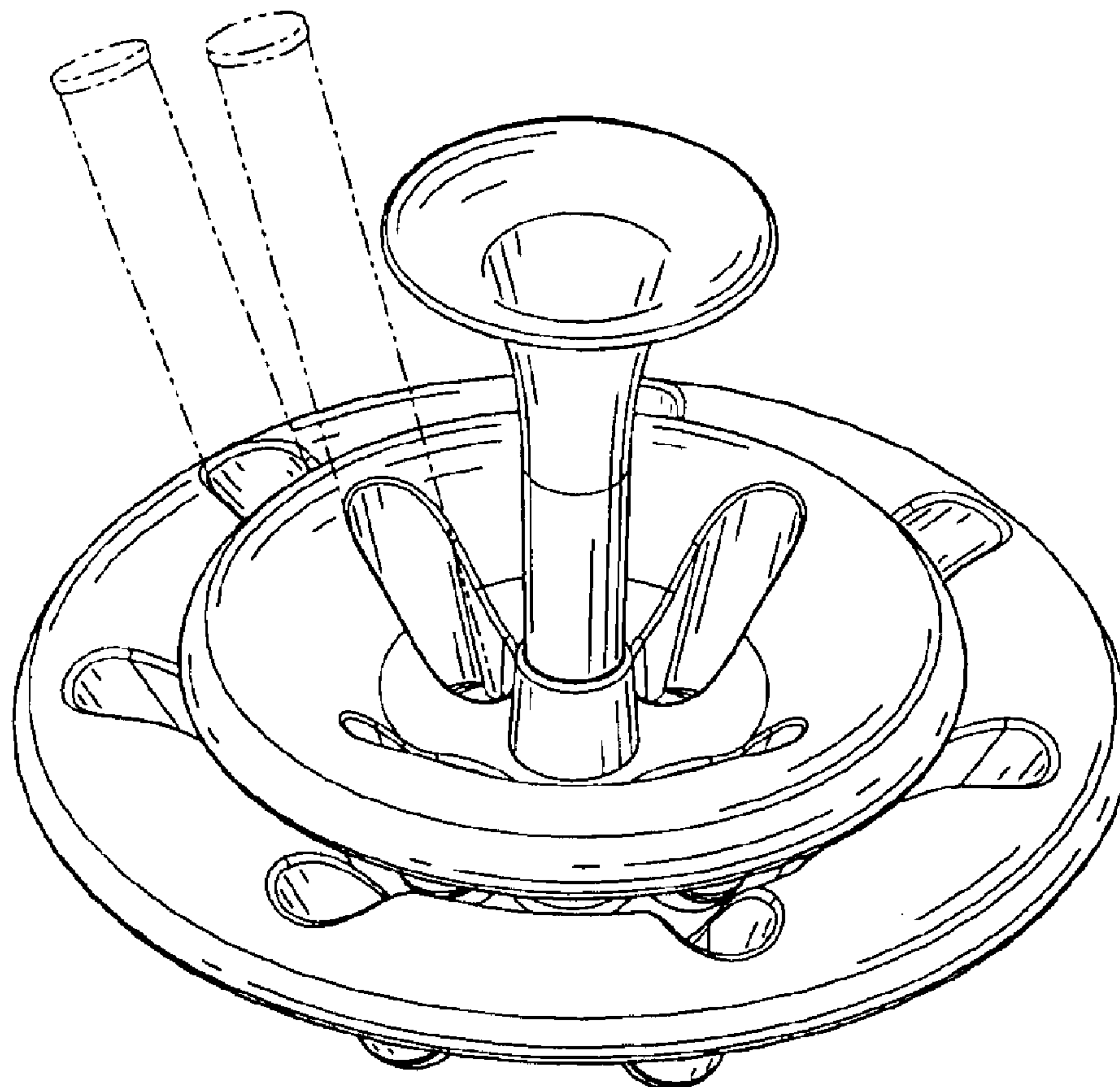
(57) **CLAIM**

The ornamental design for a shot dispenser, as shown and
described.

DESCRIPTION

FIG. 1 is a perspective view of a shot dispenser showing our
new design including its bottom tray, nestable top tray, and
removable pouring funnel, with the ghosted outlines indi-
cating an example of tubes that may be held in the shot
dispenser and used to contain a liquid or the like;
FIG. 2 is a plan view thereof;
FIG. 3 is an elevation view thereof; and,
FIG. 4 is a bottom view thereof.

1 Claim, 2 Drawing Sheets



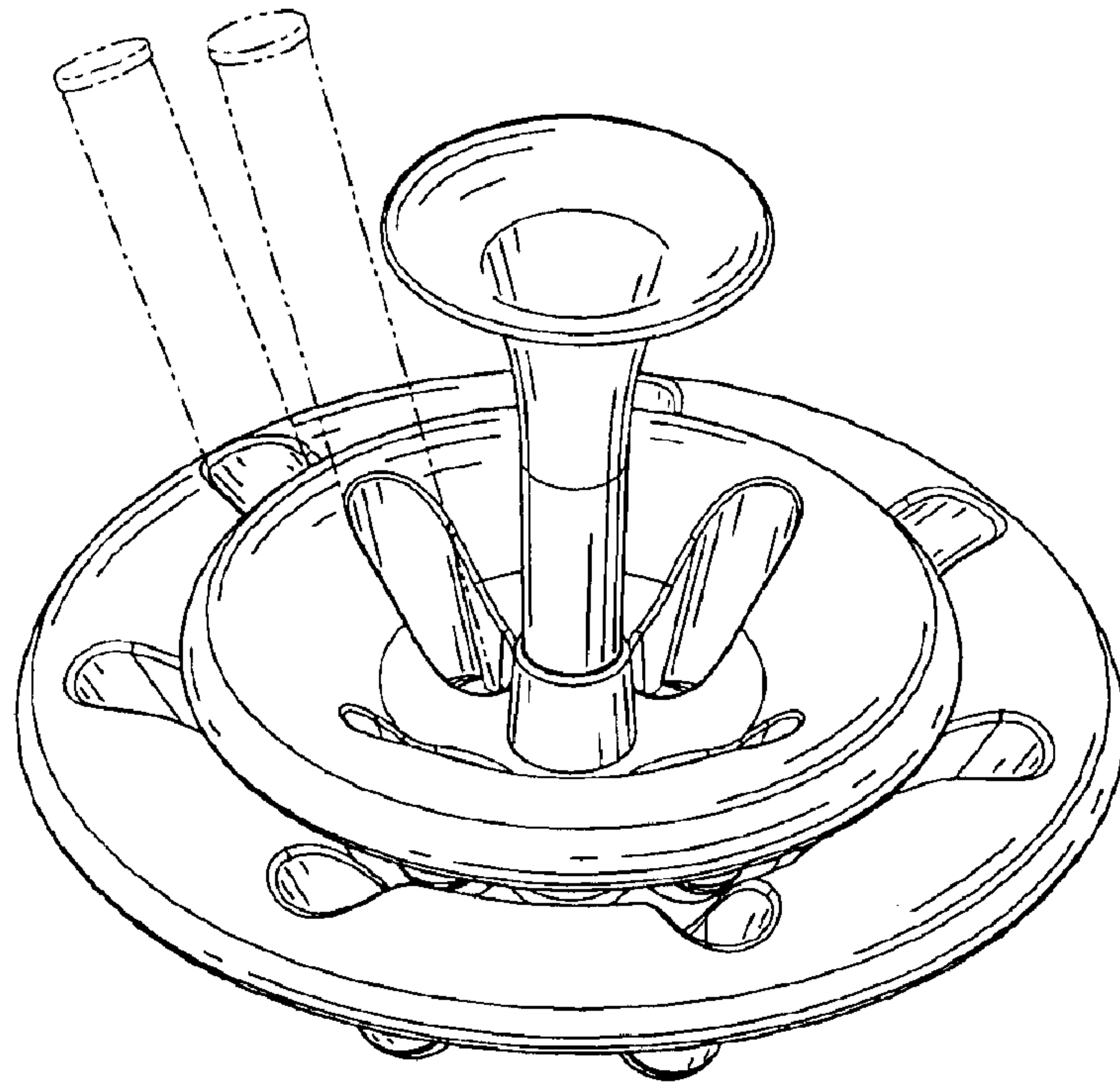


FIG. 1

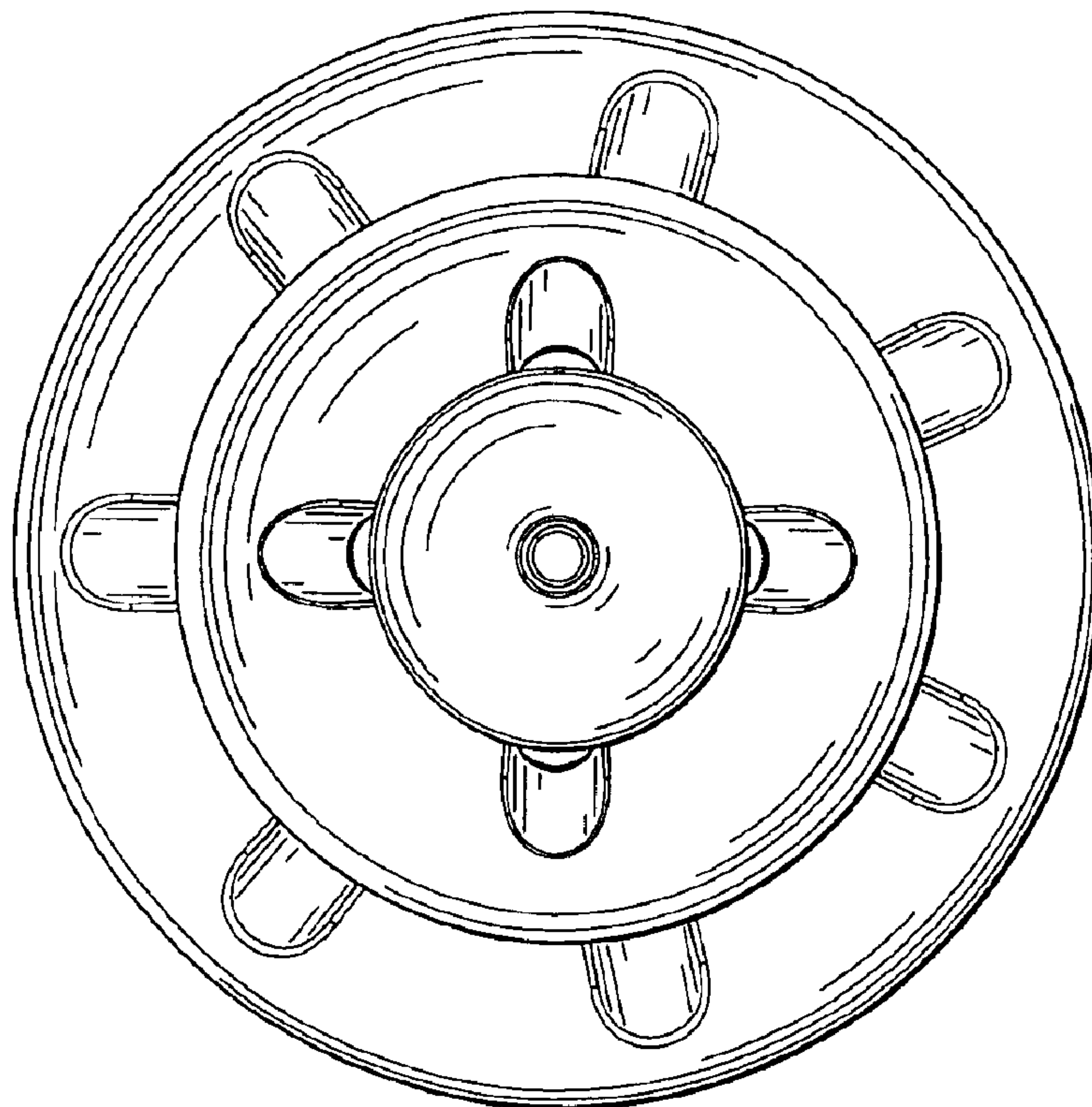


FIG. 2

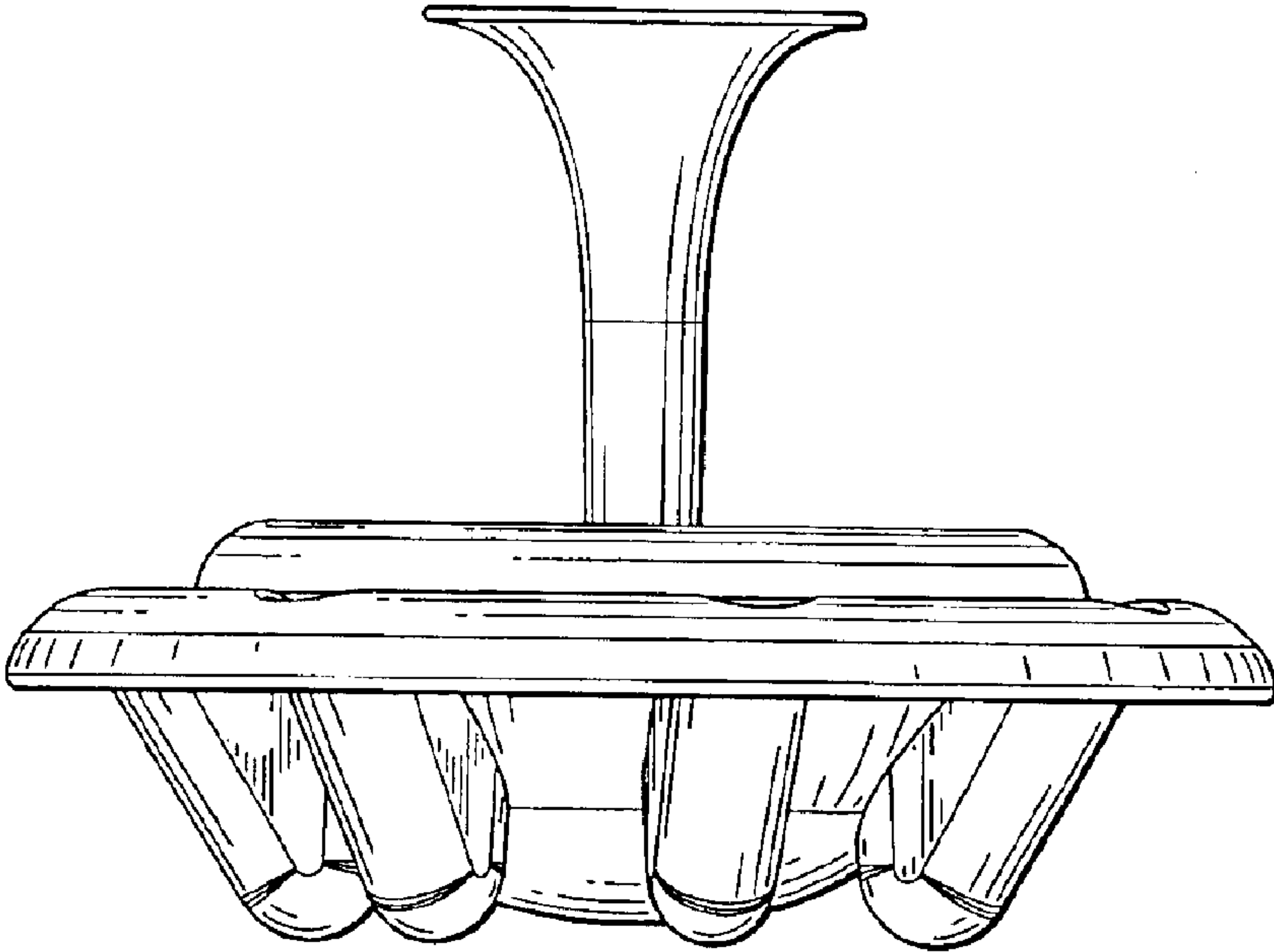


FIG. 3

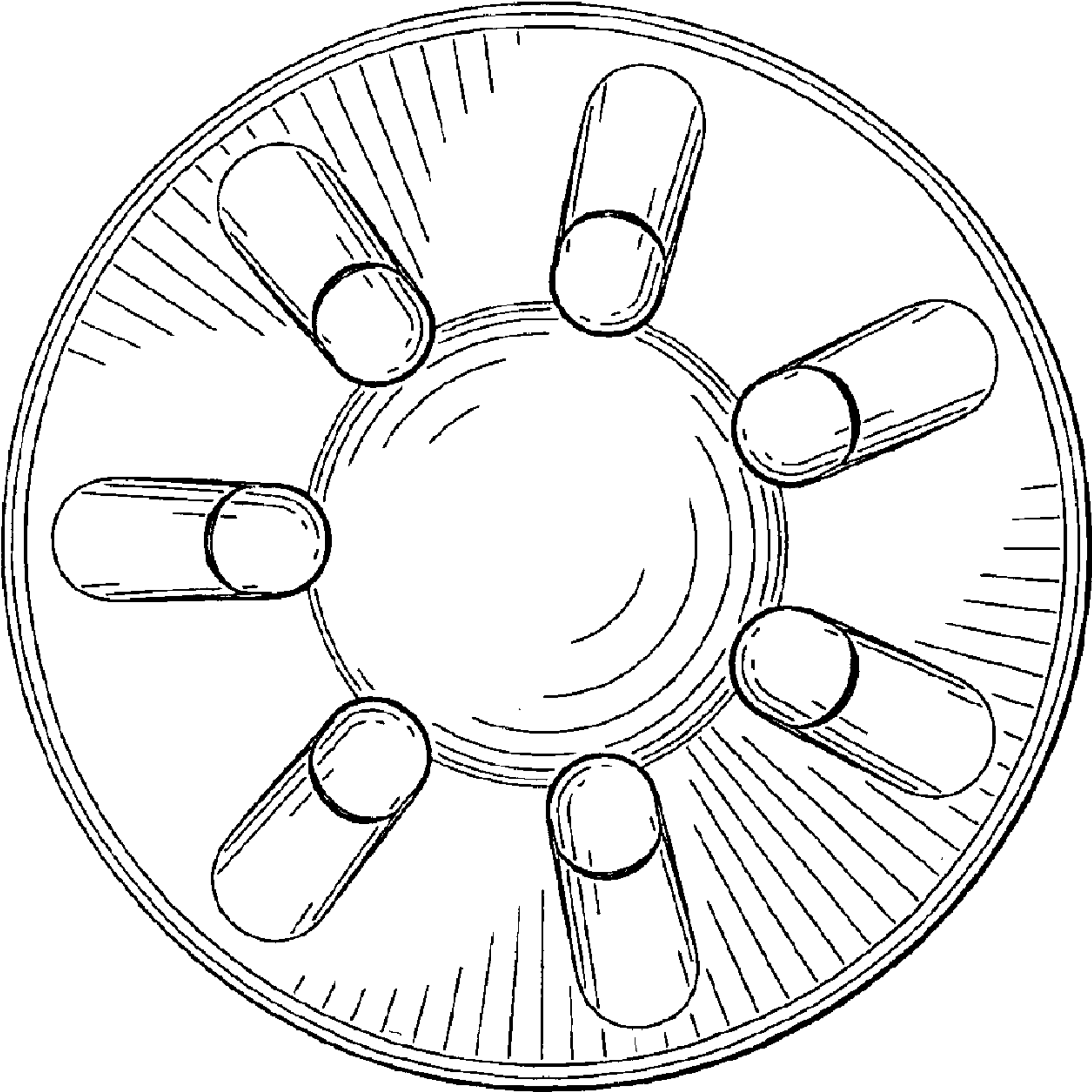


FIG. 4