

US00D504279S

(12) **United States Design Patent**
Molina

(10) **Patent No.:** **US D504,279 S**
(45) **Date of Patent:** **** Apr. 26, 2005**

(54) **PITA AND TACO ROUND PAN HOLDER WITH CENTERED BOWL**

(75) **Inventor:** **Carmen Luz Molina**, P.O. Box 184, Bloom Field, NJ (US) 07003

(73) **Assignee:** **Carmèn Luz Molina**, Belleville, NJ (US)

(**) **Term:** **14 Years**

(21) **Appl. No.:** **29/182,885**

(22) **Filed:** **Jun. 2, 2003**

(51) **LOC (7) Cl.** **07-02**

(52) **U.S. Cl.** **D7/504; D7/553.6**

(58) **Field of Search** D7/504, 501, 505, D7/550.1, 553.1-557; 211/71.01, 74; 220/574, 575; 248/174, 176.1; 206/557-567

(56) **References Cited**

U.S. PATENT DOCUMENTS

2,719,413 A * 10/1955 Panzer 220/575
D260,343 S * 8/1981 Blake et al. D7/501

D266,816 S * 11/1982 Schupp D7/555
D293,994 S * 2/1988 Conrady et al. D7/555
D294,670 S * 3/1988 Kurtz D7/504
D304,658 S * 11/1989 Mattei D7/505
D422,840 S * 4/2000 Hedlund D7/505

* cited by examiner

Primary Examiner—Terry A. Wallace

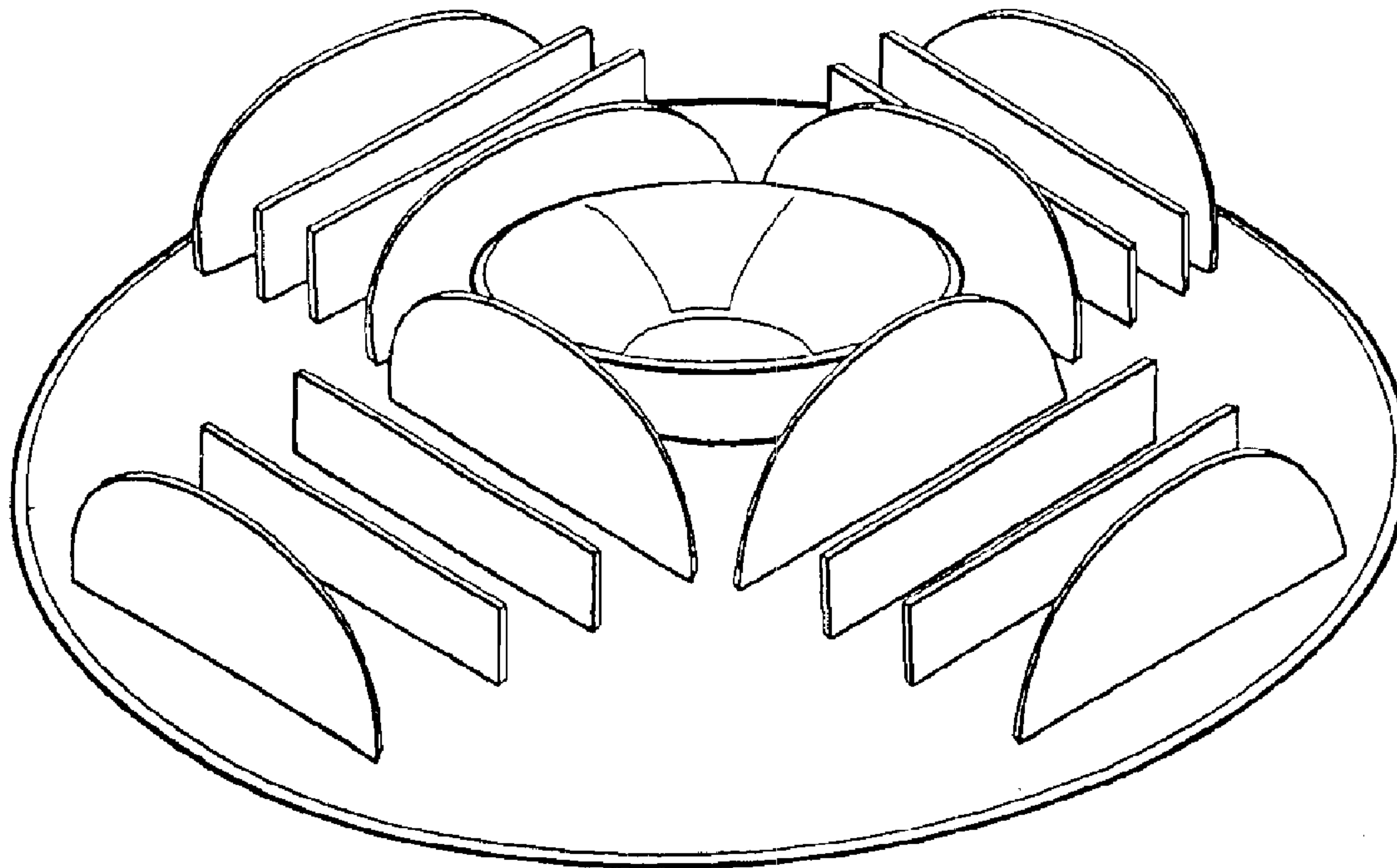
(57) **CLAIM**

The ornamental design for a pita and taco round pan holder with centered bowl, as shown and described.

DESCRIPTION

FIG. 1 is a top view of a pita and taco pan holder with centered bowl showing my new design;
FIG. 2 is an exploded top perspective view thereof;
FIG. 3 is a front view thereof, the left, right and rear being a mirror image; and,
FIG. 4 is a side view of the front view thereof, the sides of the left, right and rear being a mirror image.
The bottom of the pita and taco pan is flat and unornamented.

1 Claim, 1 Drawing Sheet



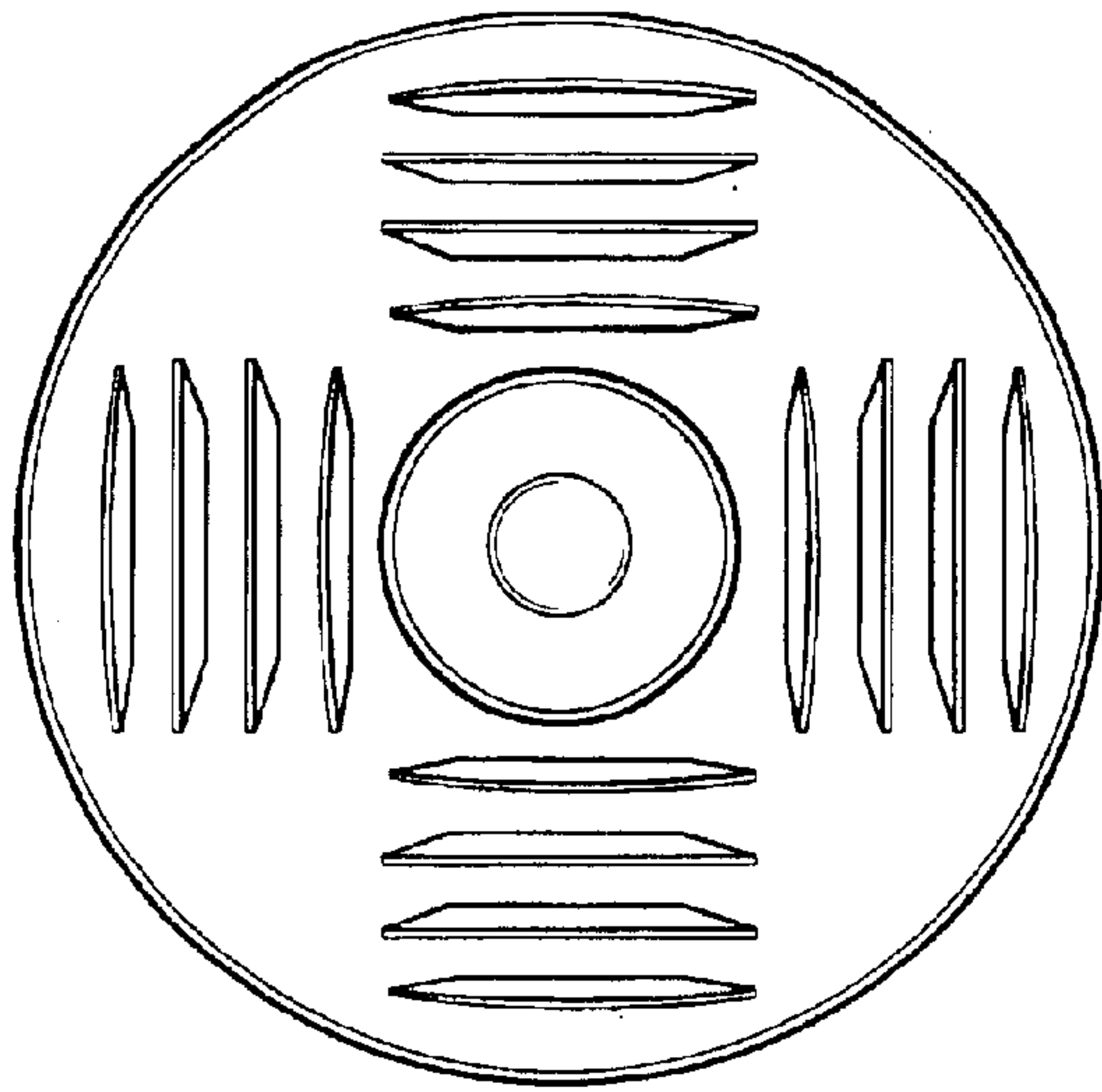


Figure 1

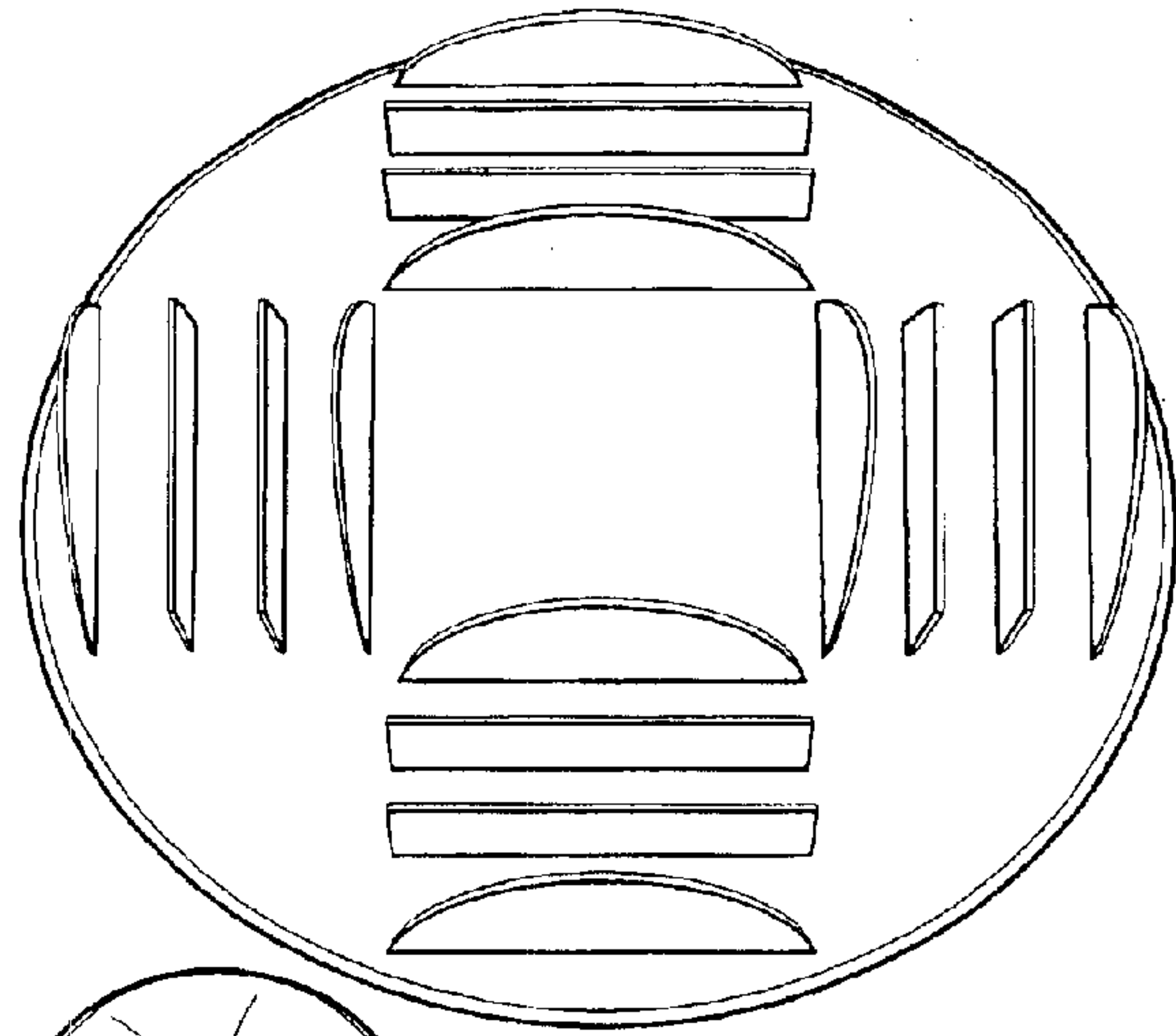


Figure 2

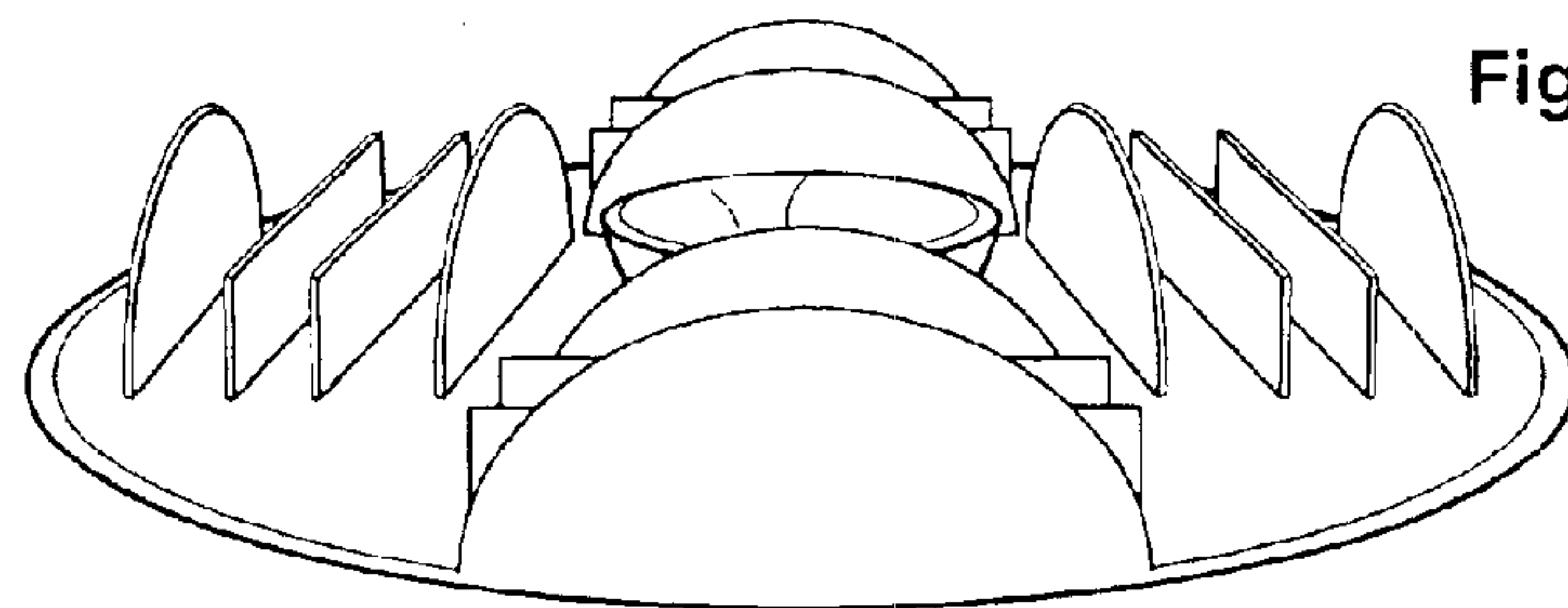
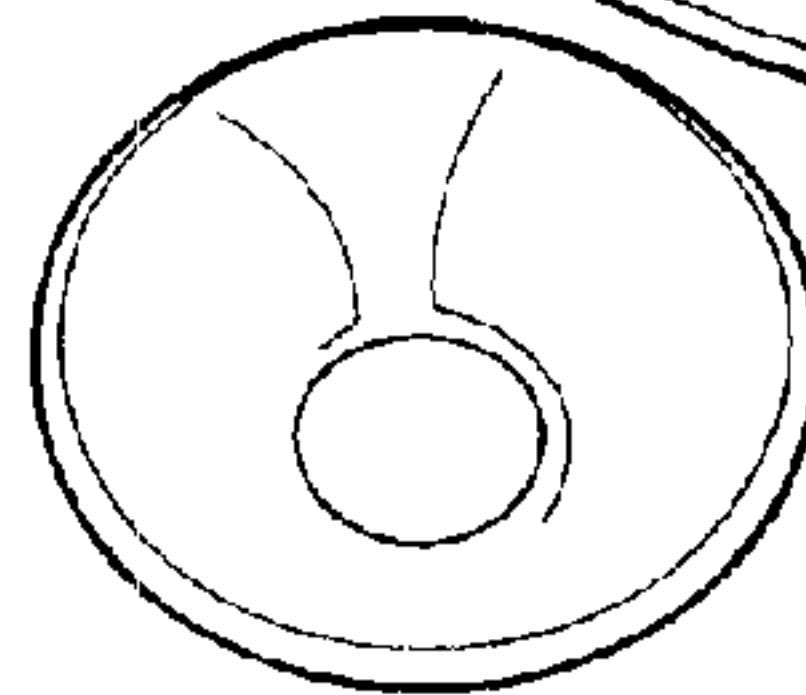


Figure 3

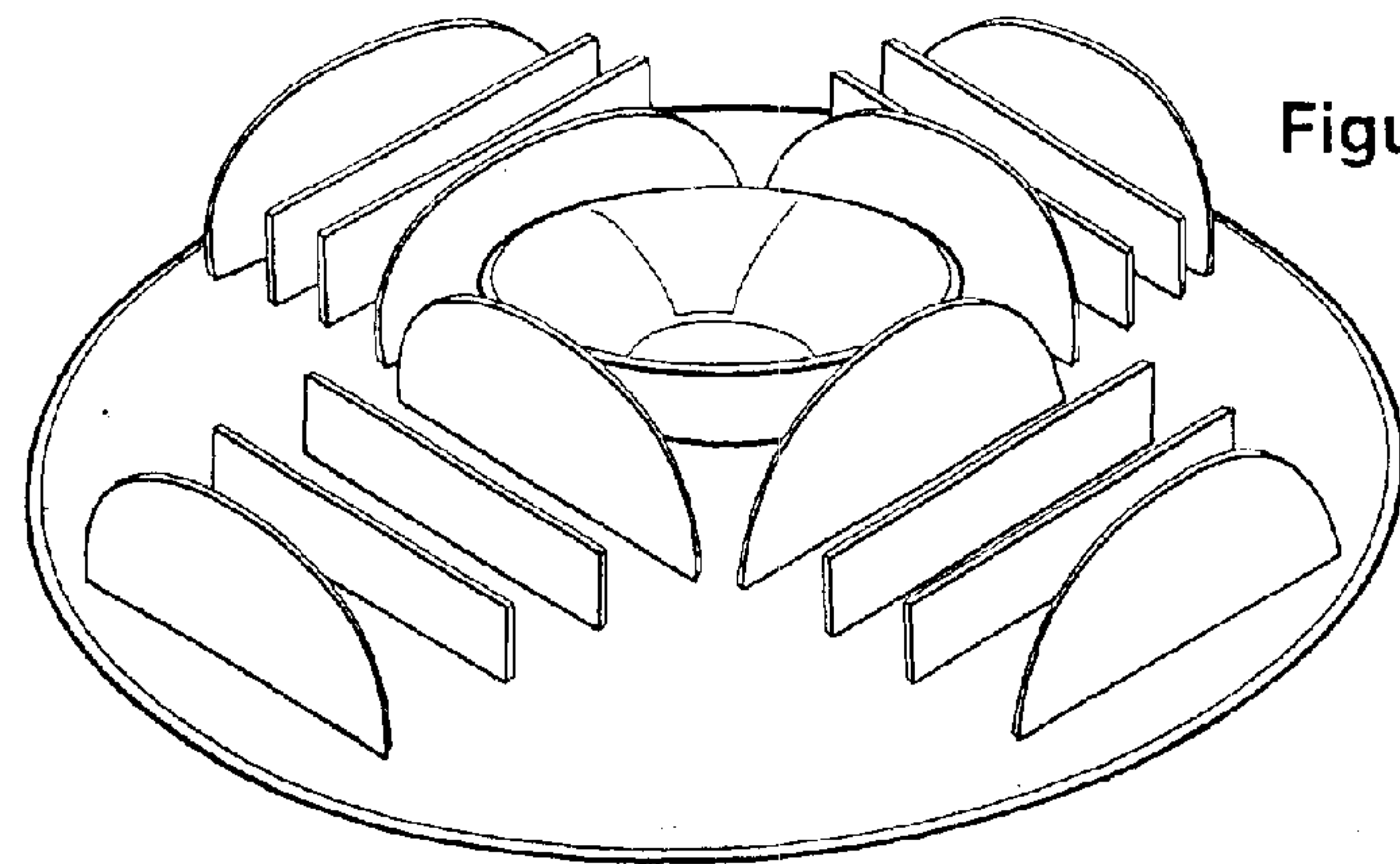


Figure 4