

US00D504276S

(12) **United States Design Patent**
Vial

(10) **Patent No.: US D504,276 S**

(45) **Date of Patent: ** Apr. 26, 2005**

(54) **WAFFLE IRON**

D247,764 S * 4/1978 Carbon D7/352
D465,965 S * 11/2002 Dalton et al. D7/352

(75) Inventor: **Sandrine Vial, Sevrier (FR)**

* cited by examiner

(73) Assignee: **Tefal, S.A., Rumilly (FR)**

Primary Examiner—Caron D. Veynar

(**) Term: **14 Years**

(74) *Attorney, Agent, or Firm*—Kirkpatrick & Lockhart
Nicholson Graham LLP; Anthony H. Handal

(21) Appl. No.: **29/194,347**

(57) **CLAIM**

(22) Filed: **Nov. 20, 2003**

I claim the ornamental design for a waffle iron, as shown and described.

(30) **Foreign Application Priority Data**

May 23, 2003 (FR) 03 2792

DESCRIPTION

(51) **LOC (7) Cl.** **07-02**

FIG. 1 is a front, right, top perspective view of the new ornamental waffle iron of the present invention;

(52) **U.S. Cl.** **D7/352**

FIG. 2 is a front, right, top perspective view thereof, with the lid open;

(58) **Field of Search** D7/323, 328–330,

D7/352–361, 409–411; 99/372–379, 385–402;

219/524, 525

FIG. 3 is a top view thereof;

FIG. 4 is a right side view thereof;

FIG. 5 is a front view thereof;

FIG. 6 is a rear view thereof; and,

FIG. 7 is a bottom view thereof.

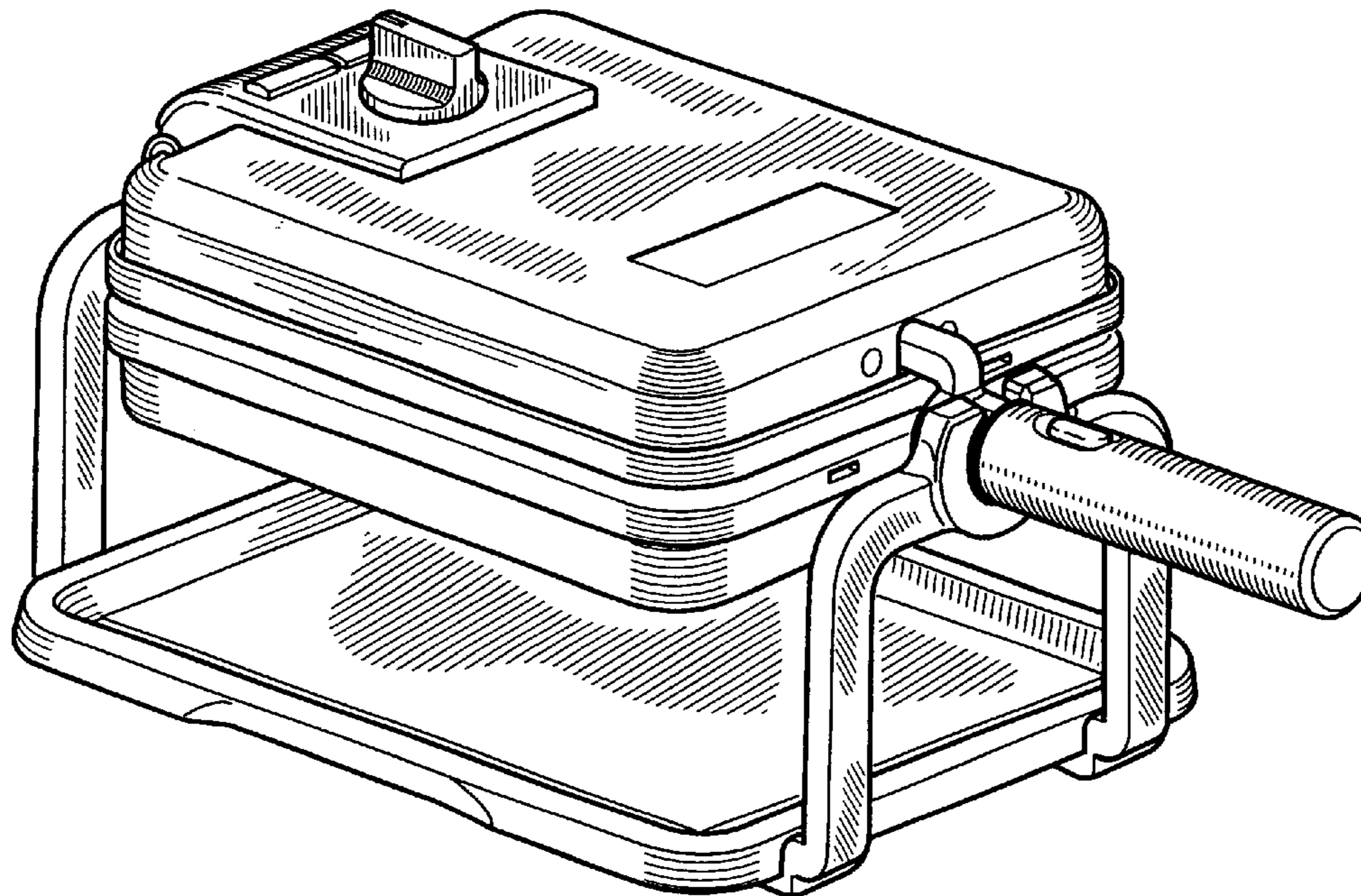
(56) **References Cited**

U.S. PATENT DOCUMENTS

D77,095 S * 12/1928 Hurxthal D7/352

D87,896 S * 10/1932 Wagner D7/352

1 Claim, 7 Drawing Sheets



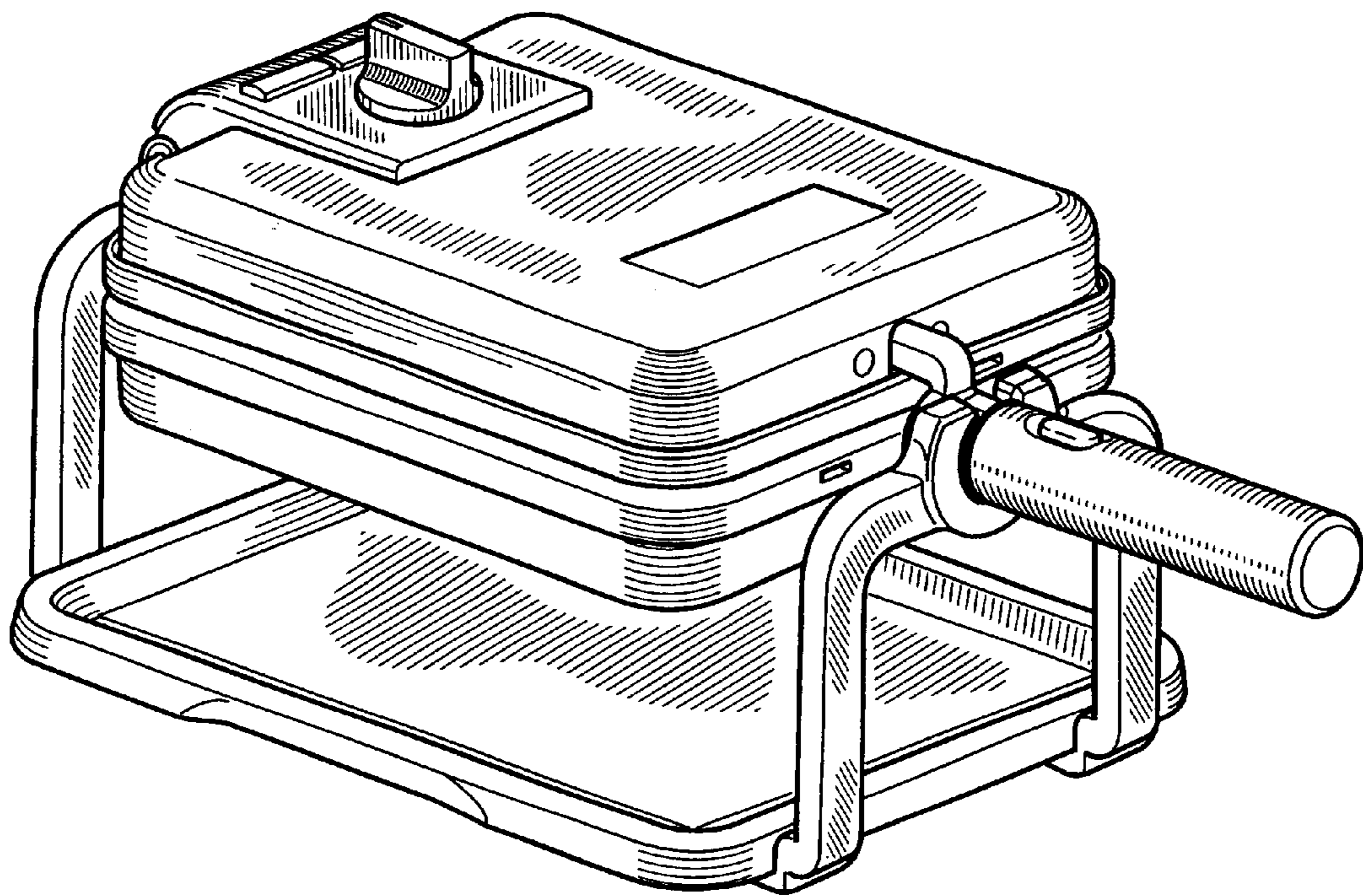


Fig. 1

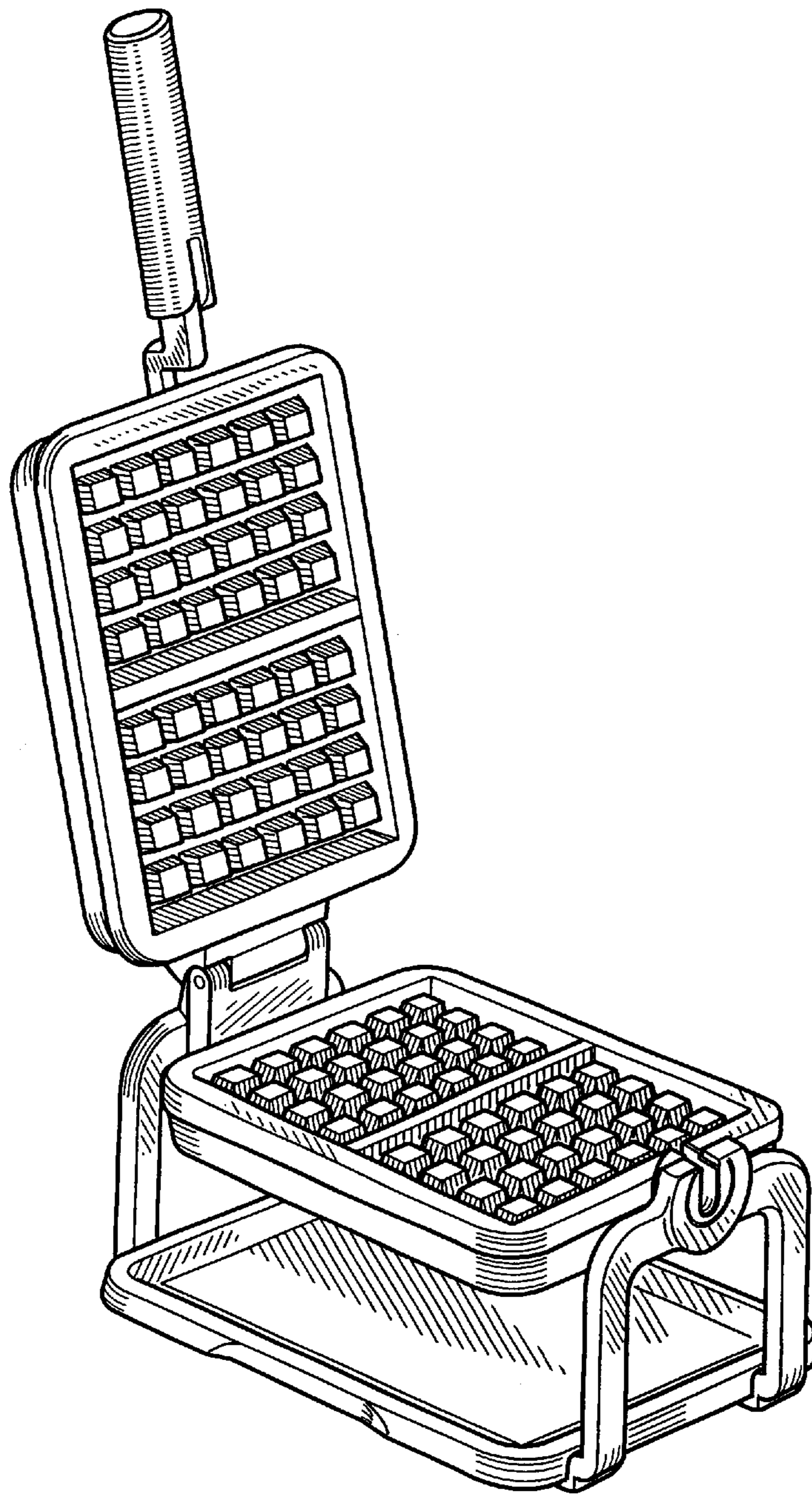


Fig. 2

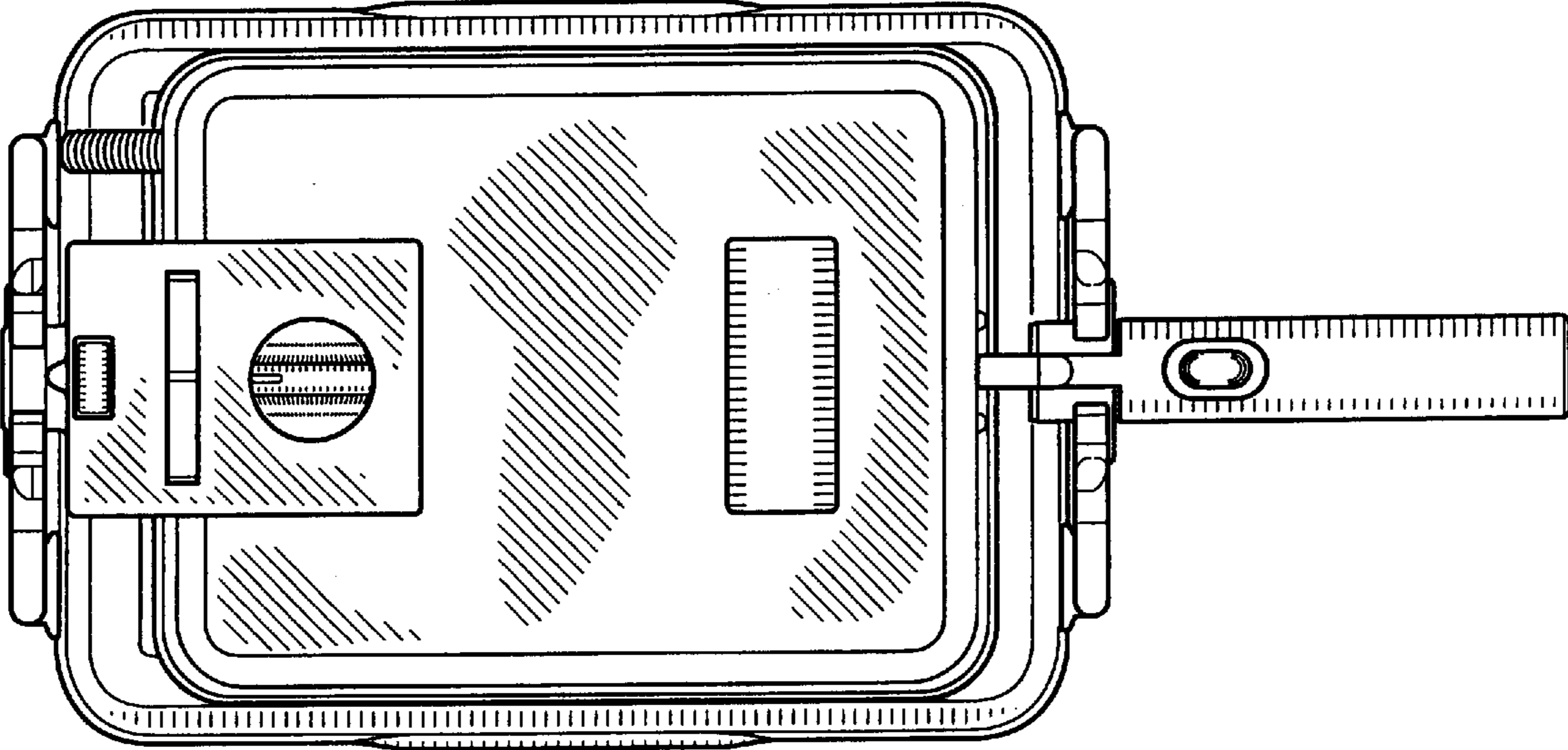


Fig. 3

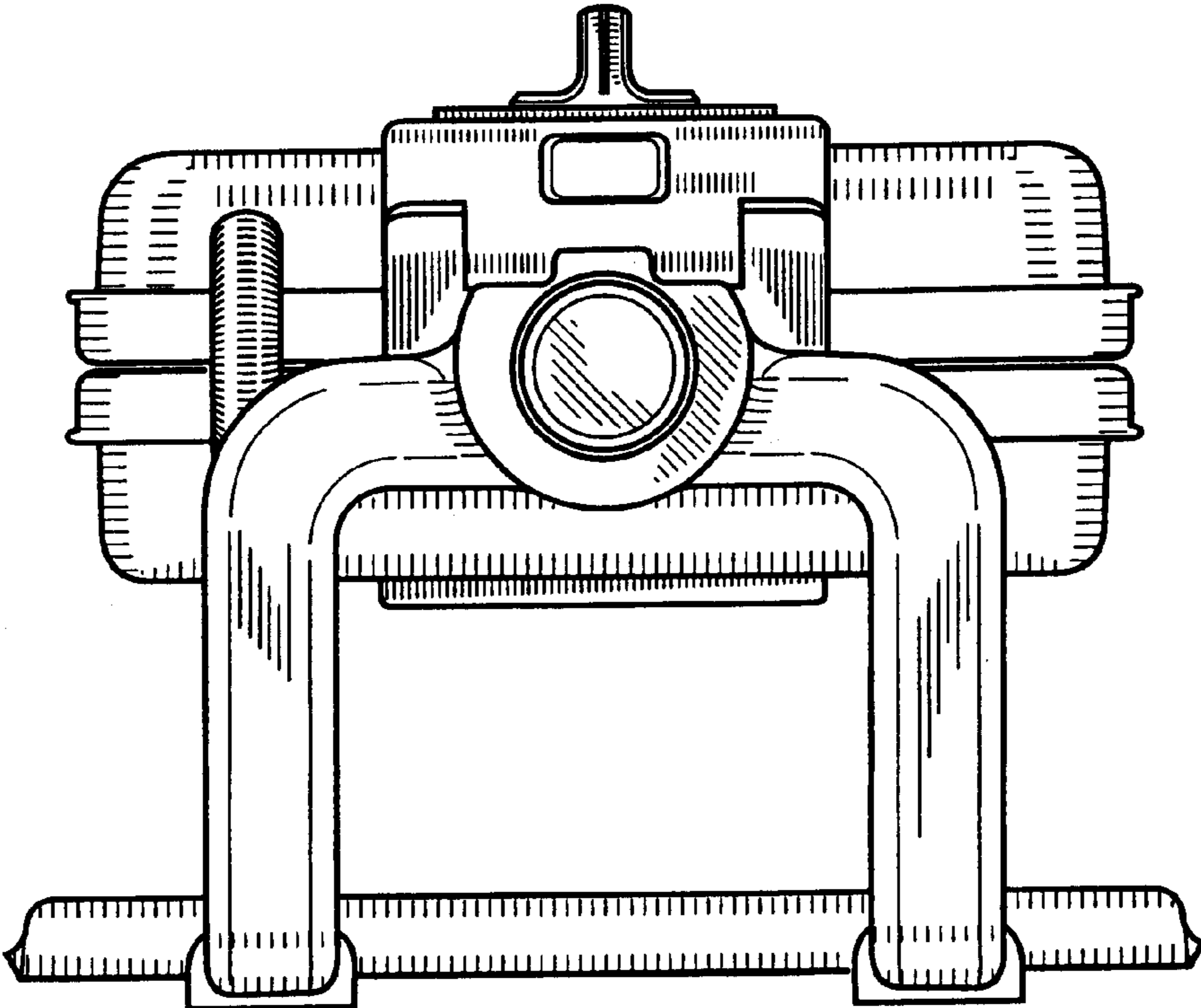


Fig. 4

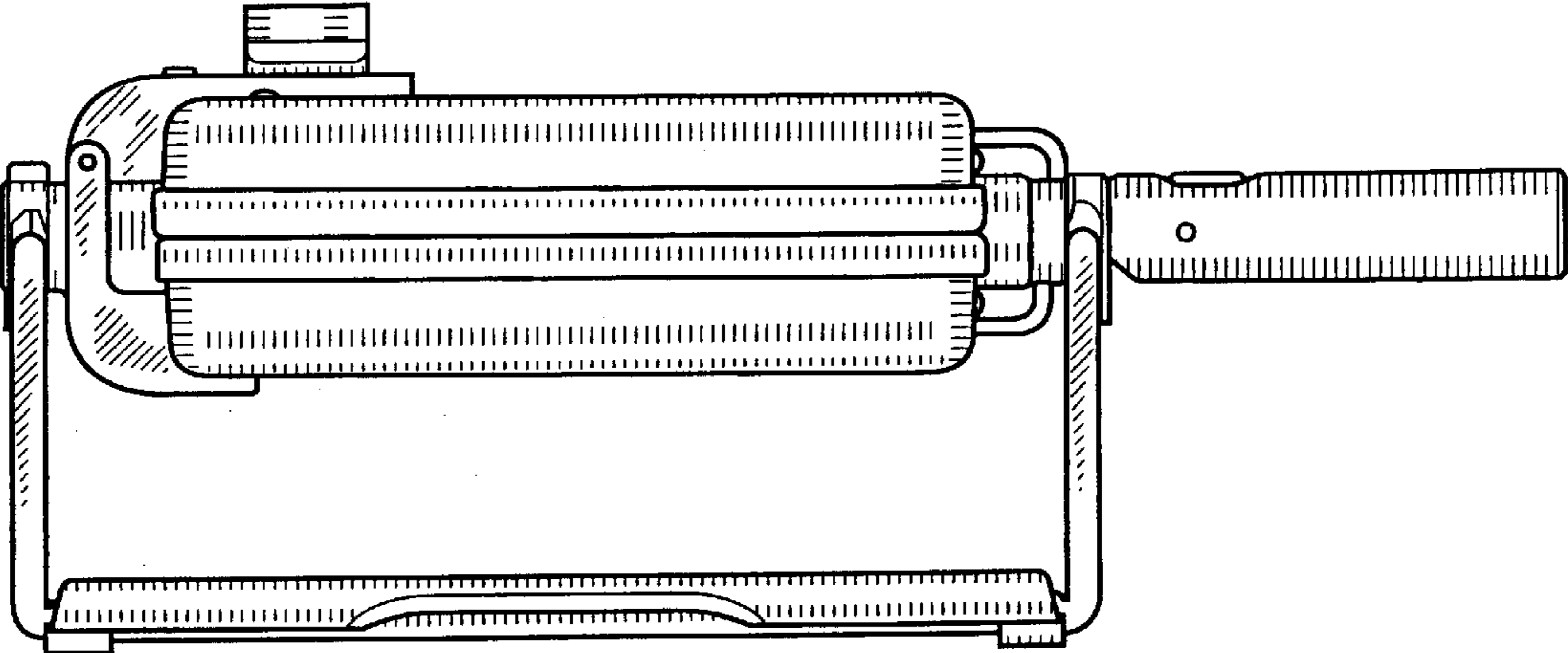


Fig. 5

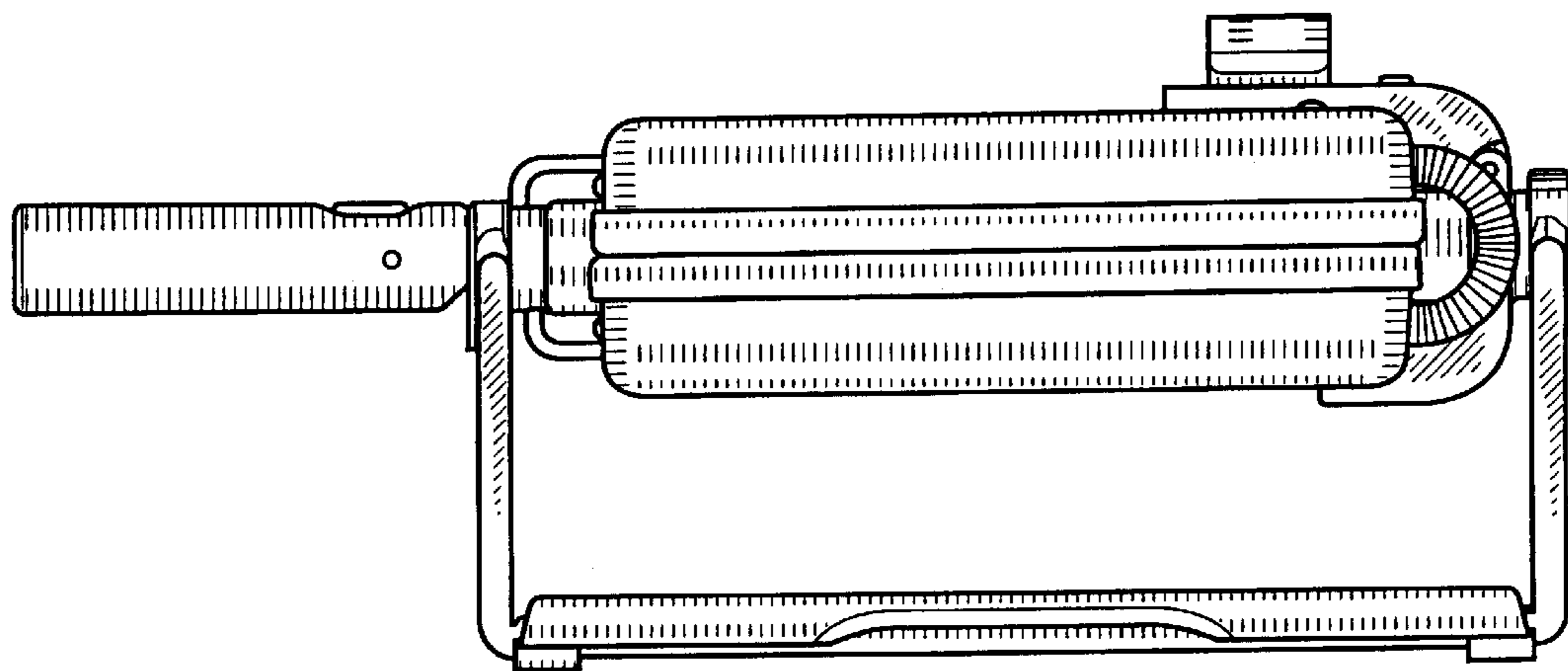


Fig. 6

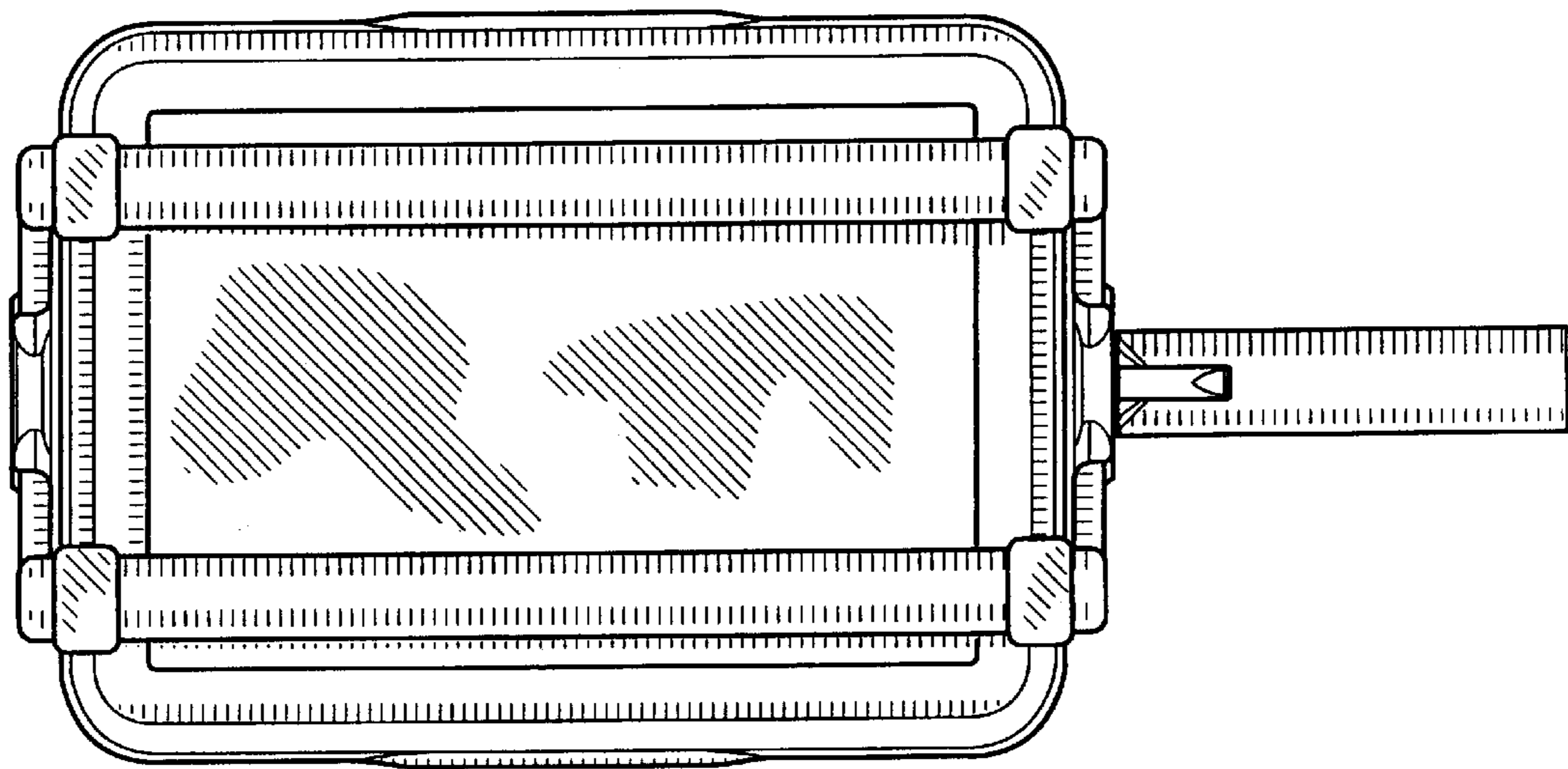


Fig. 7