

US00D504275S

(12) **United States Design Patent**
Pai

(10) **Patent No.:** **US D504,275 S**

(45) **Date of Patent:** **** Apr. 26, 2005**

(54) **BARBECUE GRILL**

(76) **Inventor:** **Jui-Yen Pai**, No. 617, Sec. 4, Chung Hua Rd., Hsin Chu City (TW)

(**) **Term:** **14 Years**

(21) **Appl. No.:** **29/194,823**

(22) **Filed:** **Dec. 2, 2003**

(51) **LOC (7) Cl.** **07-02**

(52) **U.S. Cl.** **D7/337**

(58) **Field of Search** D7/332, 334-337,
D7/402-405; 126/9 R, 9 B, 25 R, 25 A,
25 B, 26, 38, 40, 41 R, 50, 245, 304 R,
305, 693; 99/419, 449; 248/127, 129, 150,
188; 211/135

(56) **References Cited**

U.S. PATENT DOCUMENTS

D282,619 S	*	2/1986	Fitzgerald et al.	D7/332
D302,641 S	*	8/1989	Elmburg	D7/332
D420,244 S	*	2/2000	Pai	D7/332
D446,678 S	*	8/2001	Pai	D7/337
D455,598 S	*	4/2002	Pai	D7/337
D461,360 S	*	8/2002	Bossler	D7/337
D464,844 S	*	10/2002	Pai	D7/337
D473,415 S	*	4/2003	Yeh	D7/337
D498,113 S	*	11/2004	Zhang	D7/332
D498,114 S	*	11/2004	Zhang	D7/337

* cited by examiner

Primary Examiner—Ruth McInroy

(74) *Attorney, Agent, or Firm*—William E. Pelton, Esq.

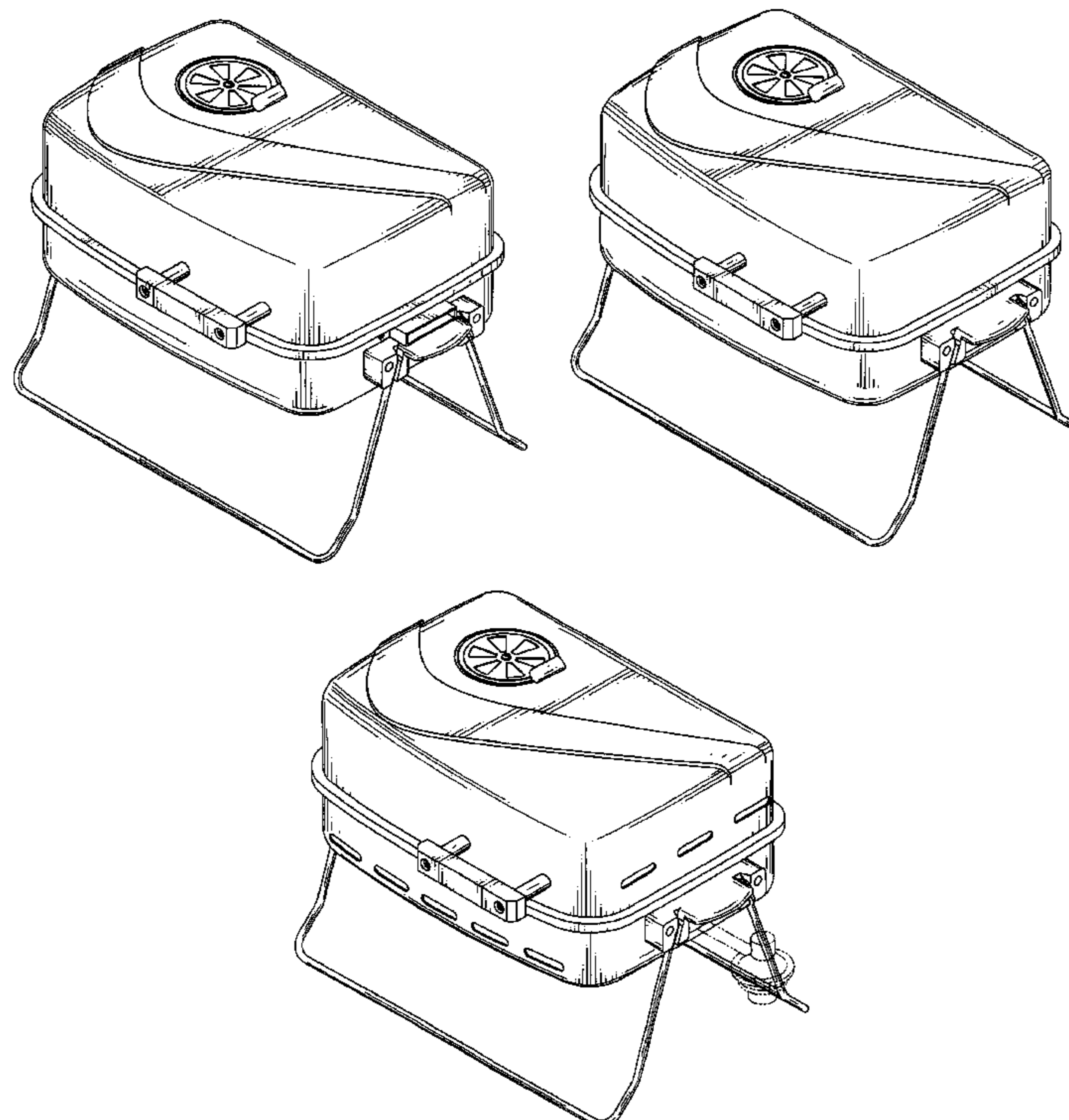
(57) **CLAIM**

The ornamental design for a barbecue grill, as shown and described.

DESCRIPTION

FIG. 1 is a perspective view of a first embodiment of a barbecue grill, showing my new design;
 FIG. 2 is a front elevational view of the first embodiment;
 FIG. 3 is a rear elevational view of the first embodiment;
 FIG. 4 is a left elevational view of the first embodiment;
 FIG. 5 is a right elevational view of the first embodiment;
 FIG. 6 is a top plan view of the first embodiment;
 FIG. 7 is a bottom plan view of the first embodiment;
 FIG. 8 is a perspective view of a second embodiment of a barbecue grill, showing my new design;
 FIG. 9 is a front elevational view of the second embodiment;
 FIG. 10 is a rear elevational view of the second embodiment;
 FIG. 11 is a left elevational view of the second embodiment;
 FIG. 12 is a right elevational view of the second embodiment;
 FIG. 13 is a top plan view of the second embodiment;
 FIG. 14 is a bottom plan view of the second embodiment;
 FIG. 15 is a perspective view of a third embodiment of a barbecue grill, showing my new design;
 FIG. 16 is a front elevational view of the third embodiment;
 FIG. 17 is a rear elevational view of the third embodiment;
 FIG. 18 is a left elevational view of the third embodiment;
 FIG. 19 is a right elevational view of the third embodiment;
 FIG. 20 is a top plan view of the third embodiment; and,
 FIG. 21 is a bottom plan view of the third embodiment.
 The broken lines showing the fuel gas container of the barbecue grill in FIGS. 15-21 are for illustrative purposes only and form no part of the claimed design.

1 Claim, 21 Drawing Sheets



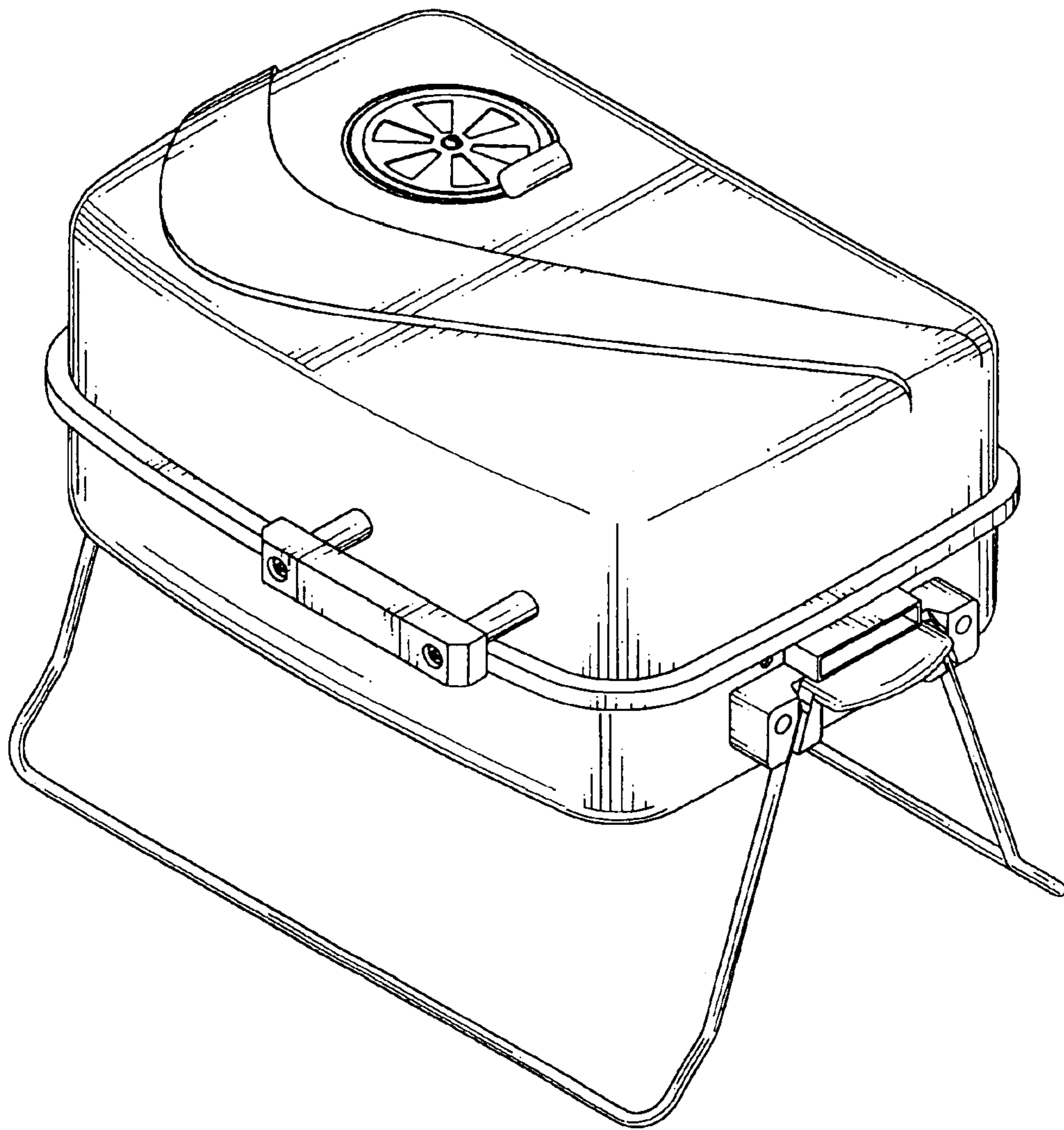


FIG. 1

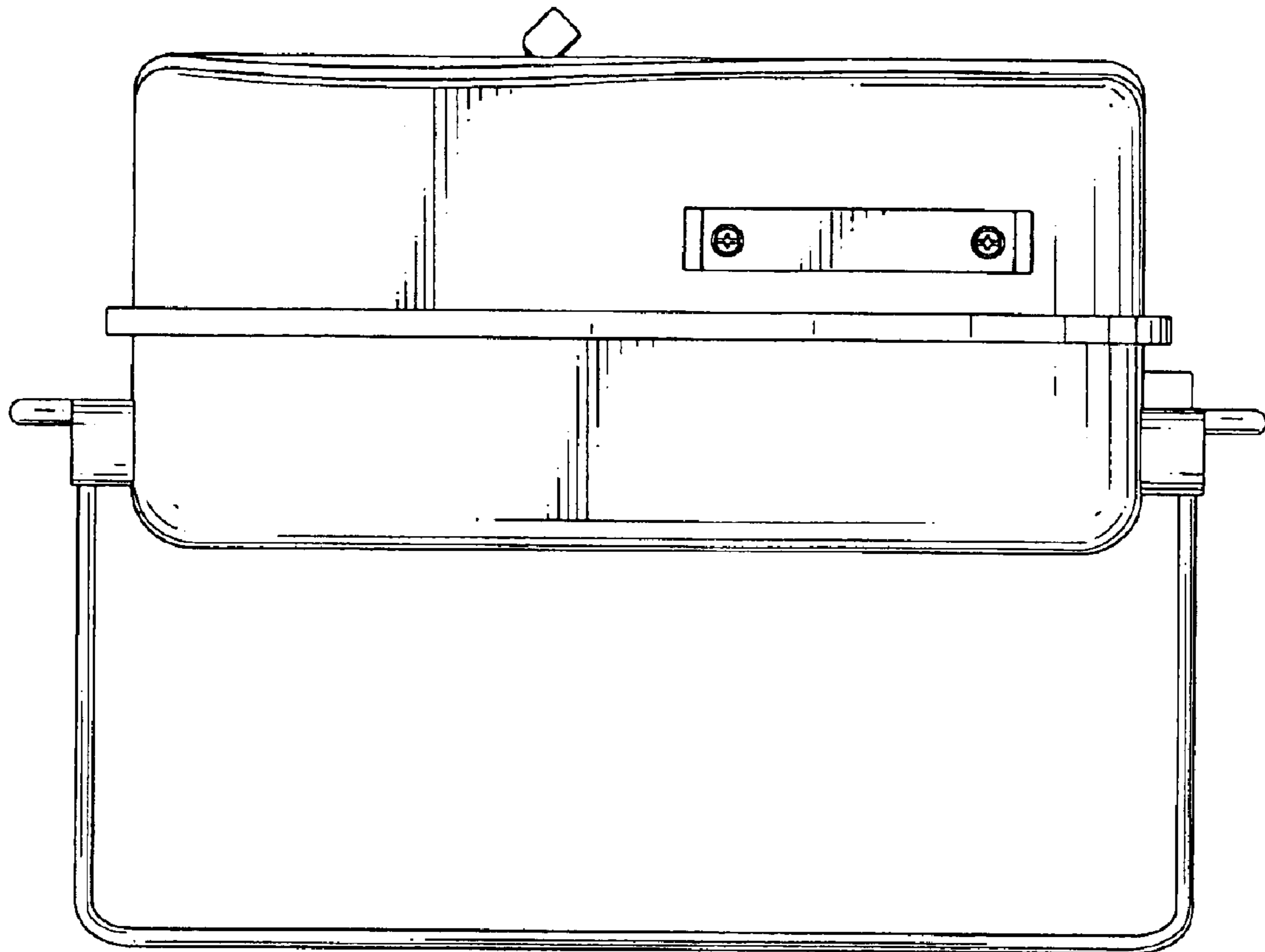


FIG. 2

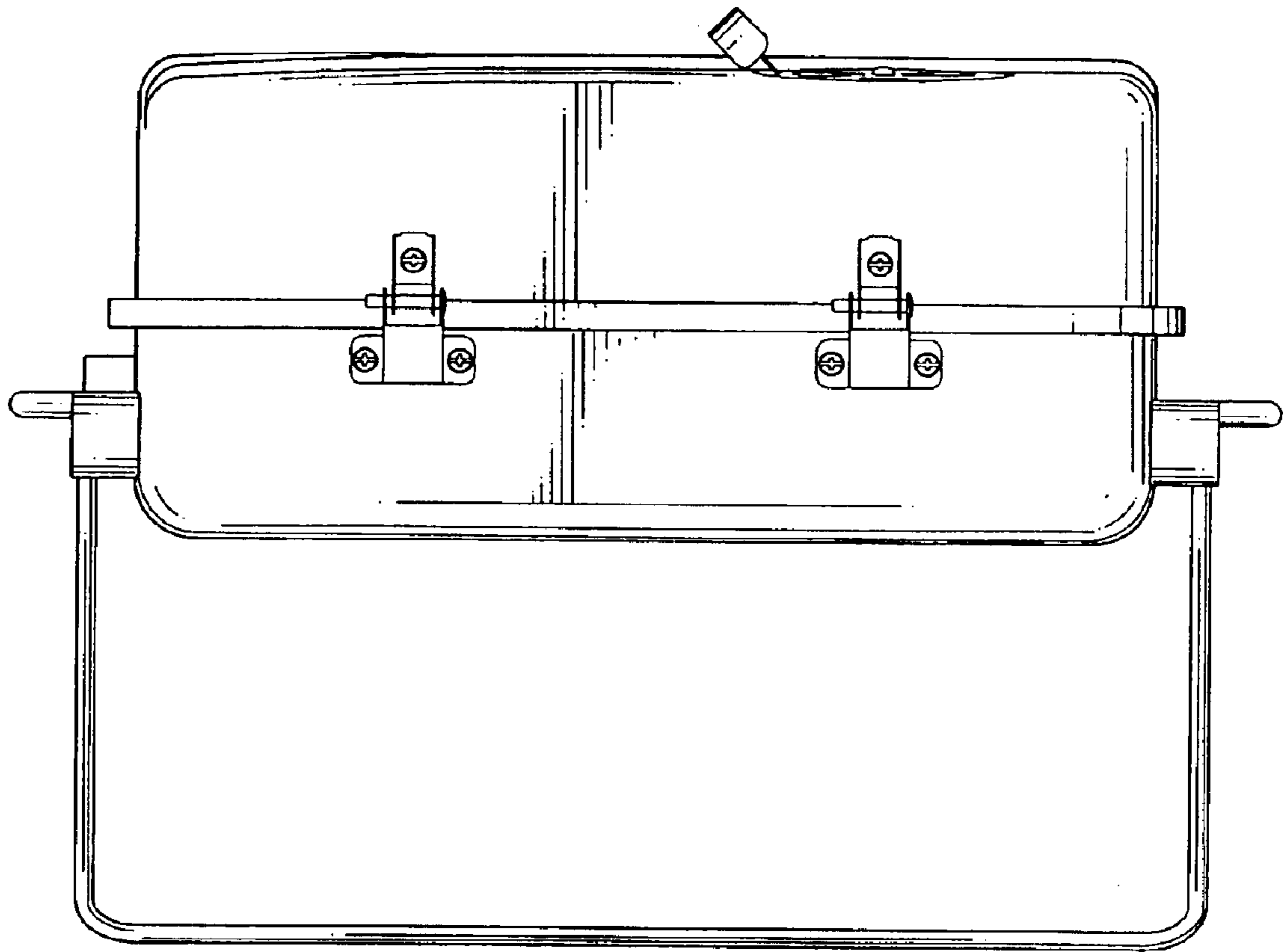


FIG. 3

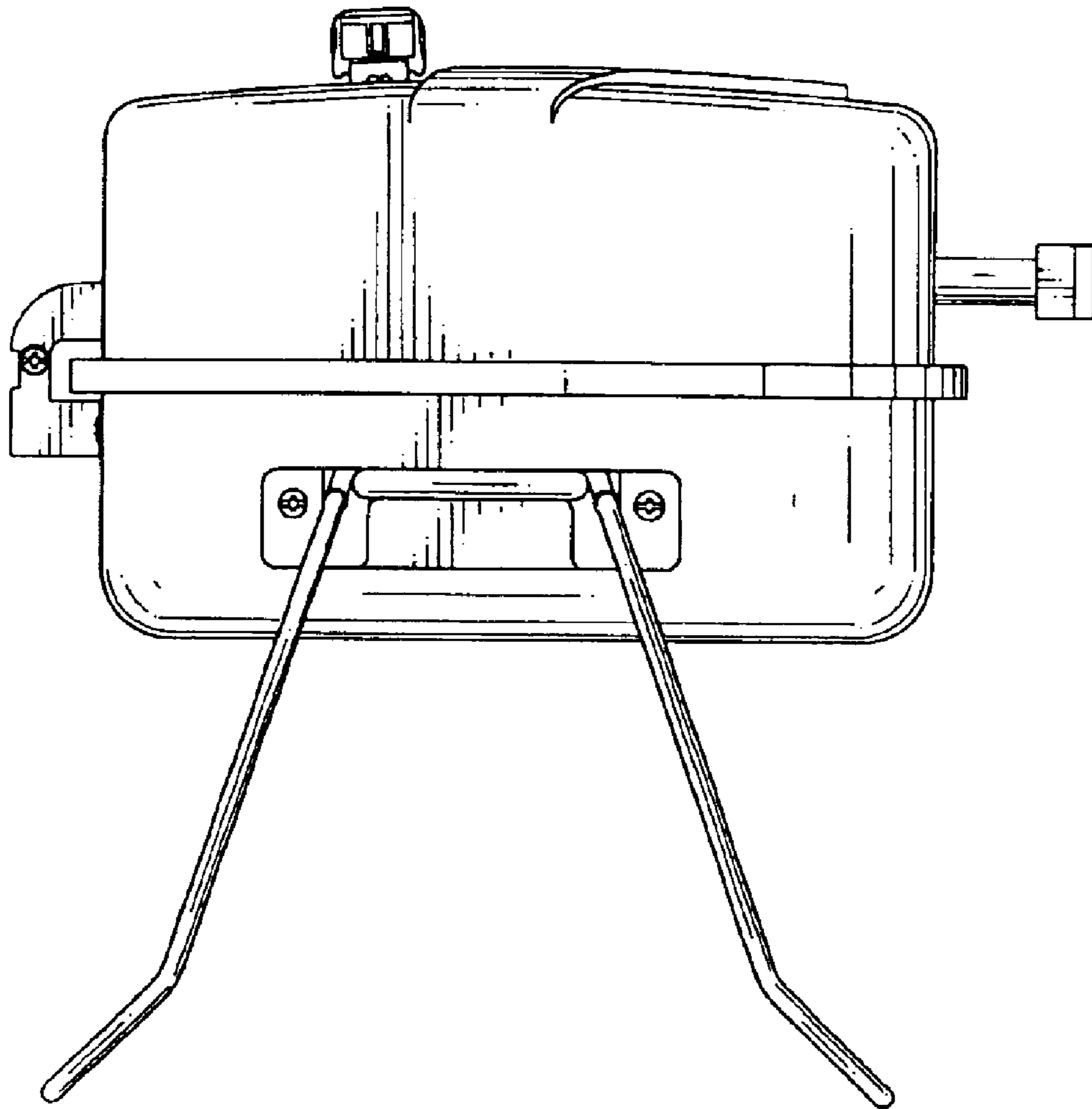


FIG. 4

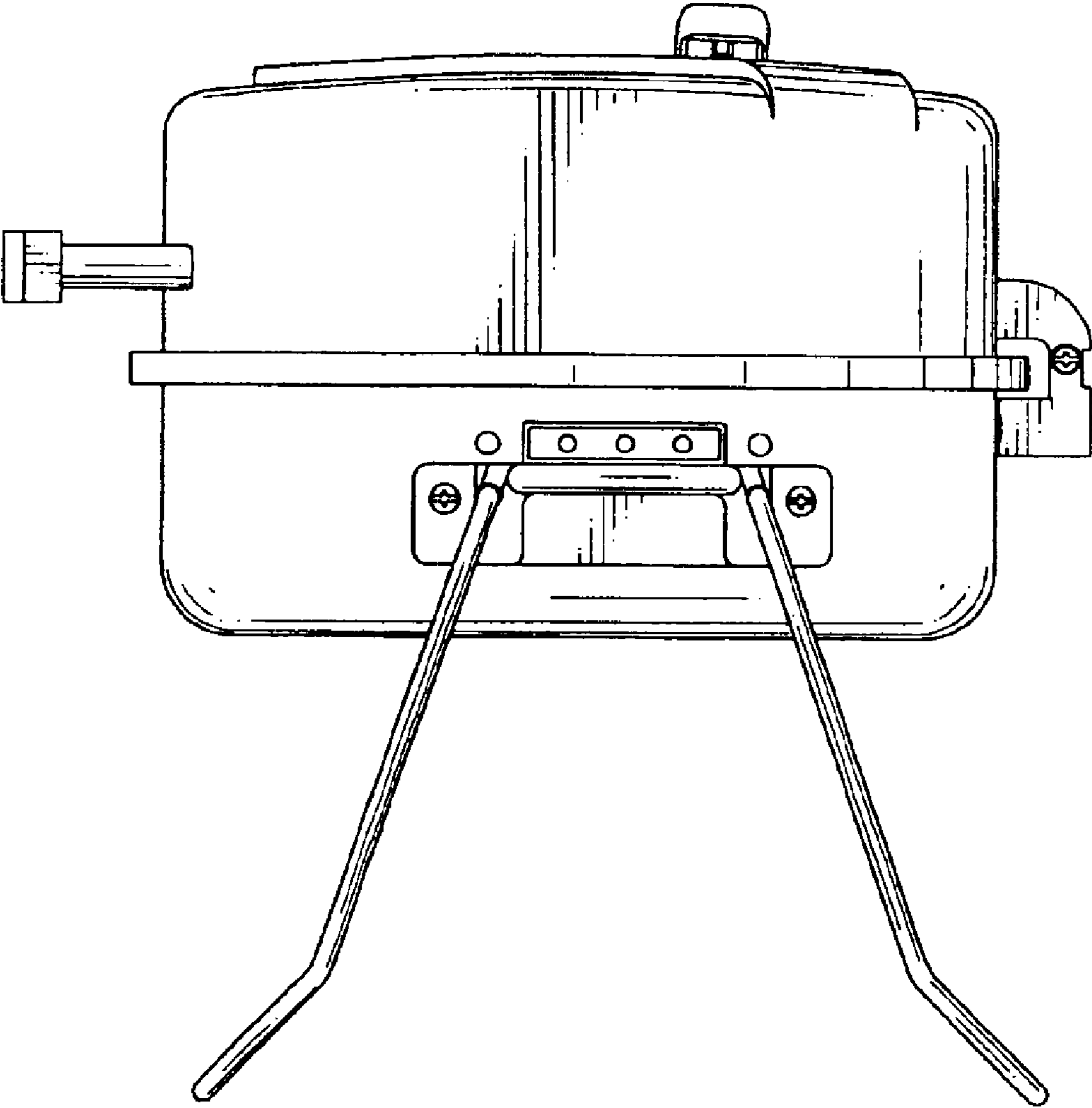


FIG. 5

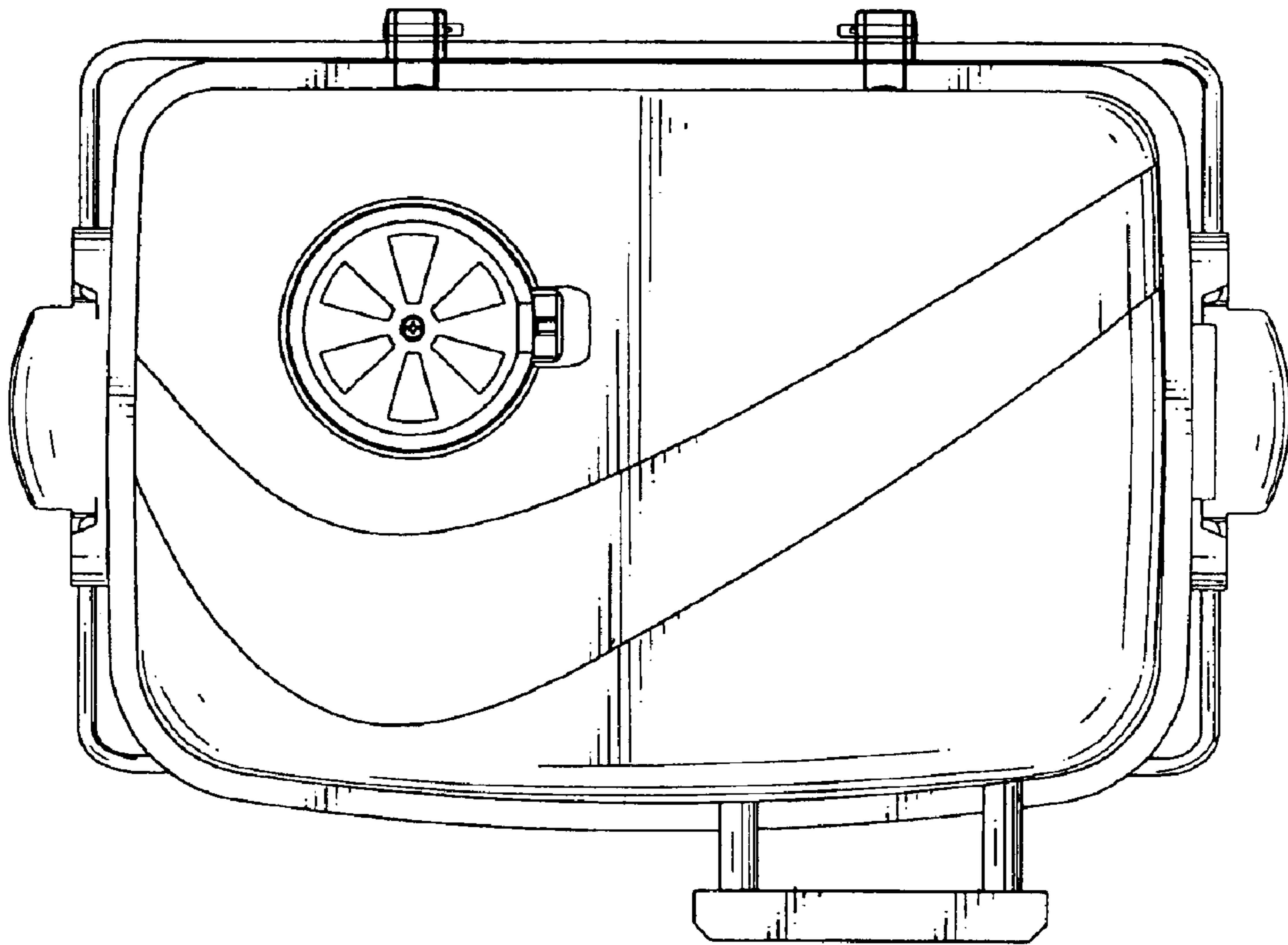


FIG. 6

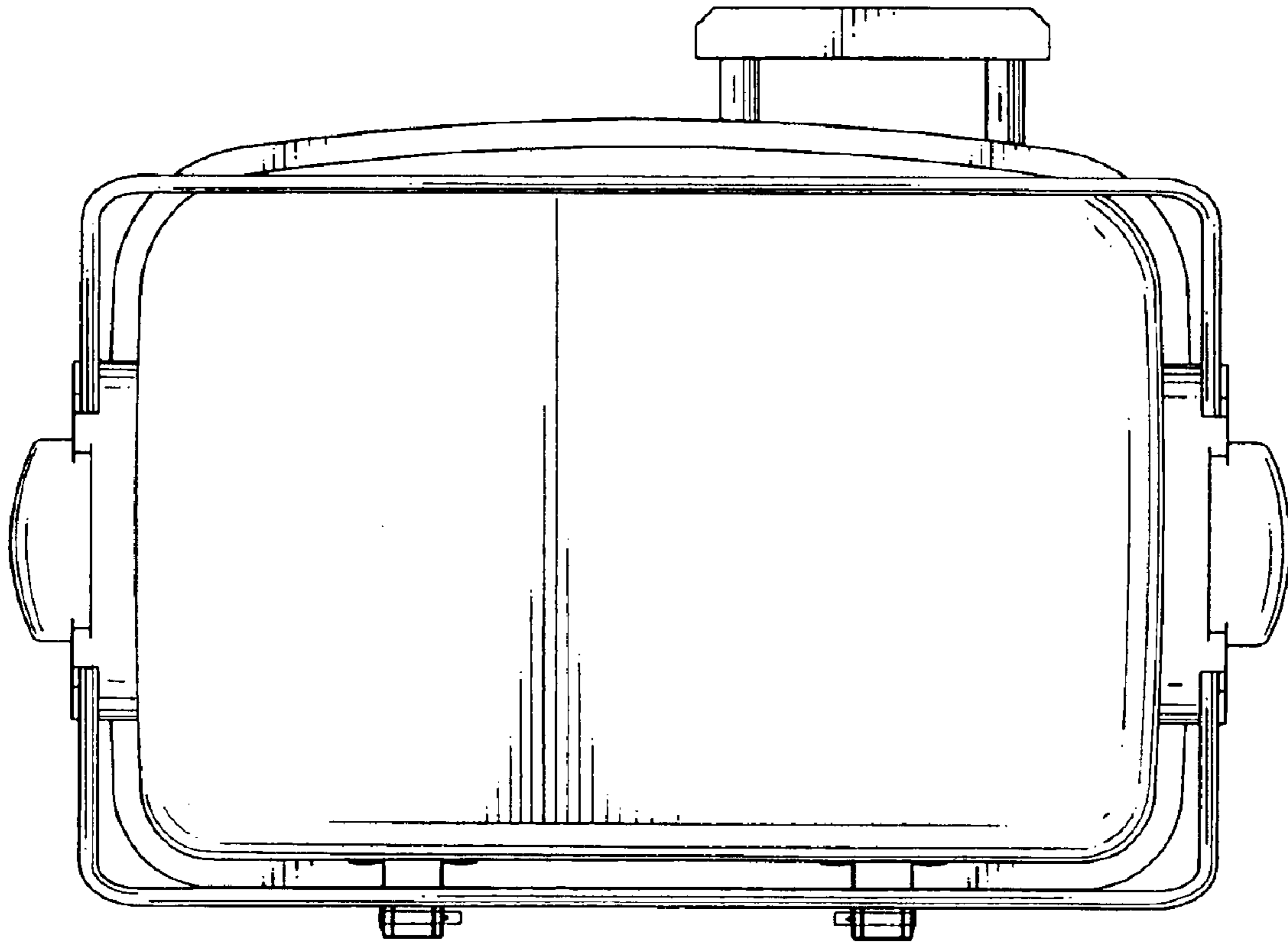


FIG. 7

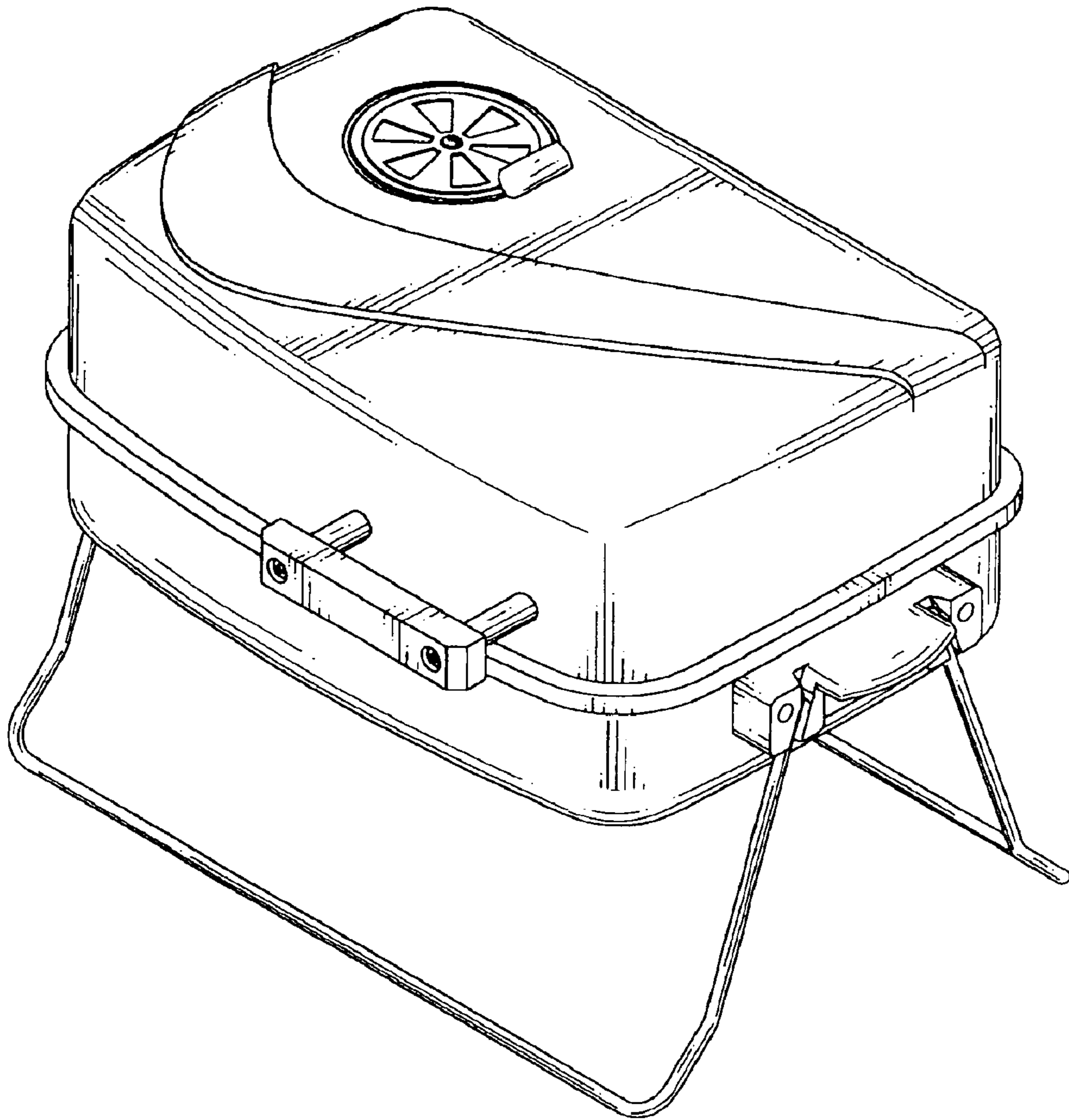


FIG. 8

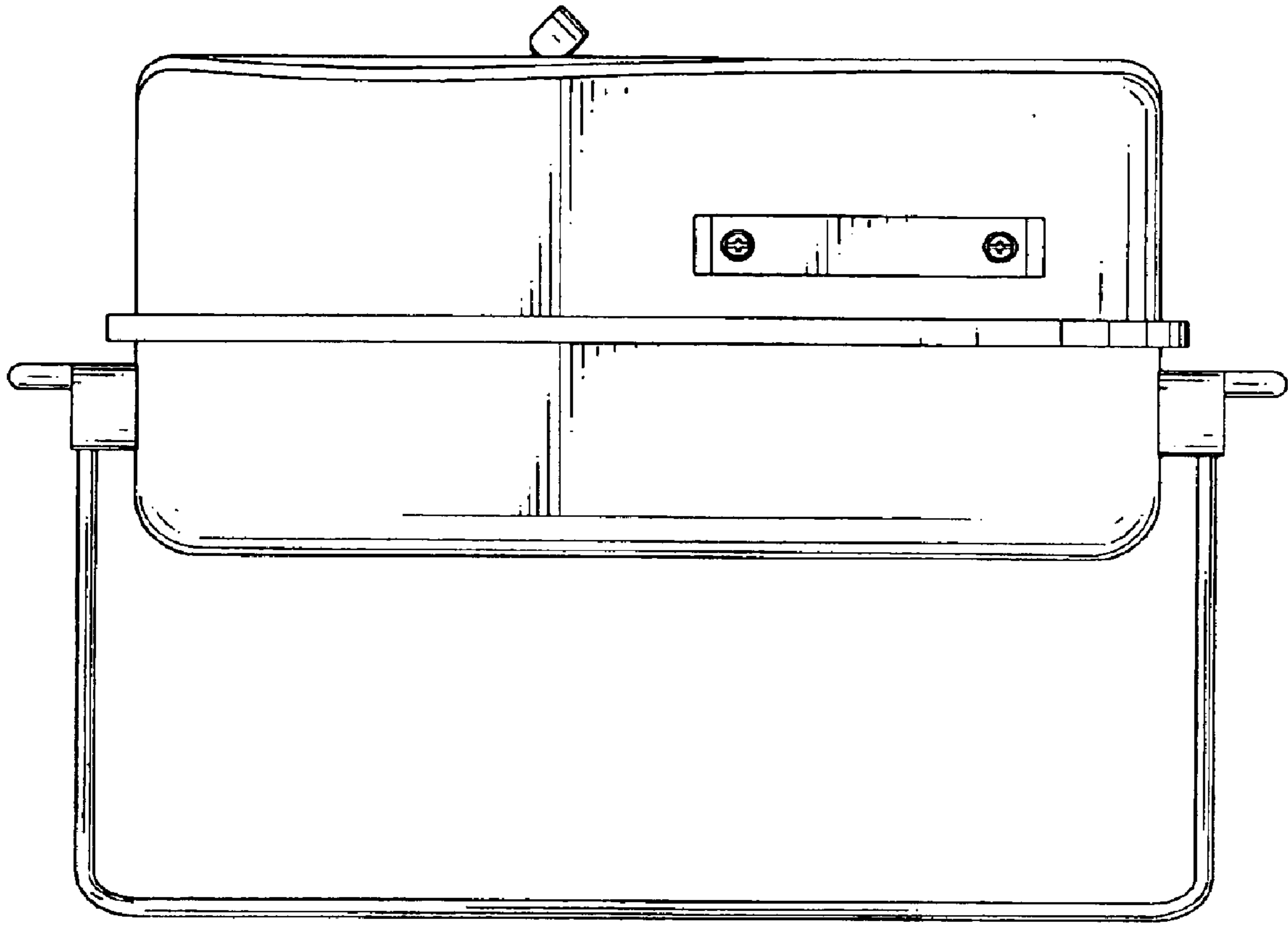


FIG. 9

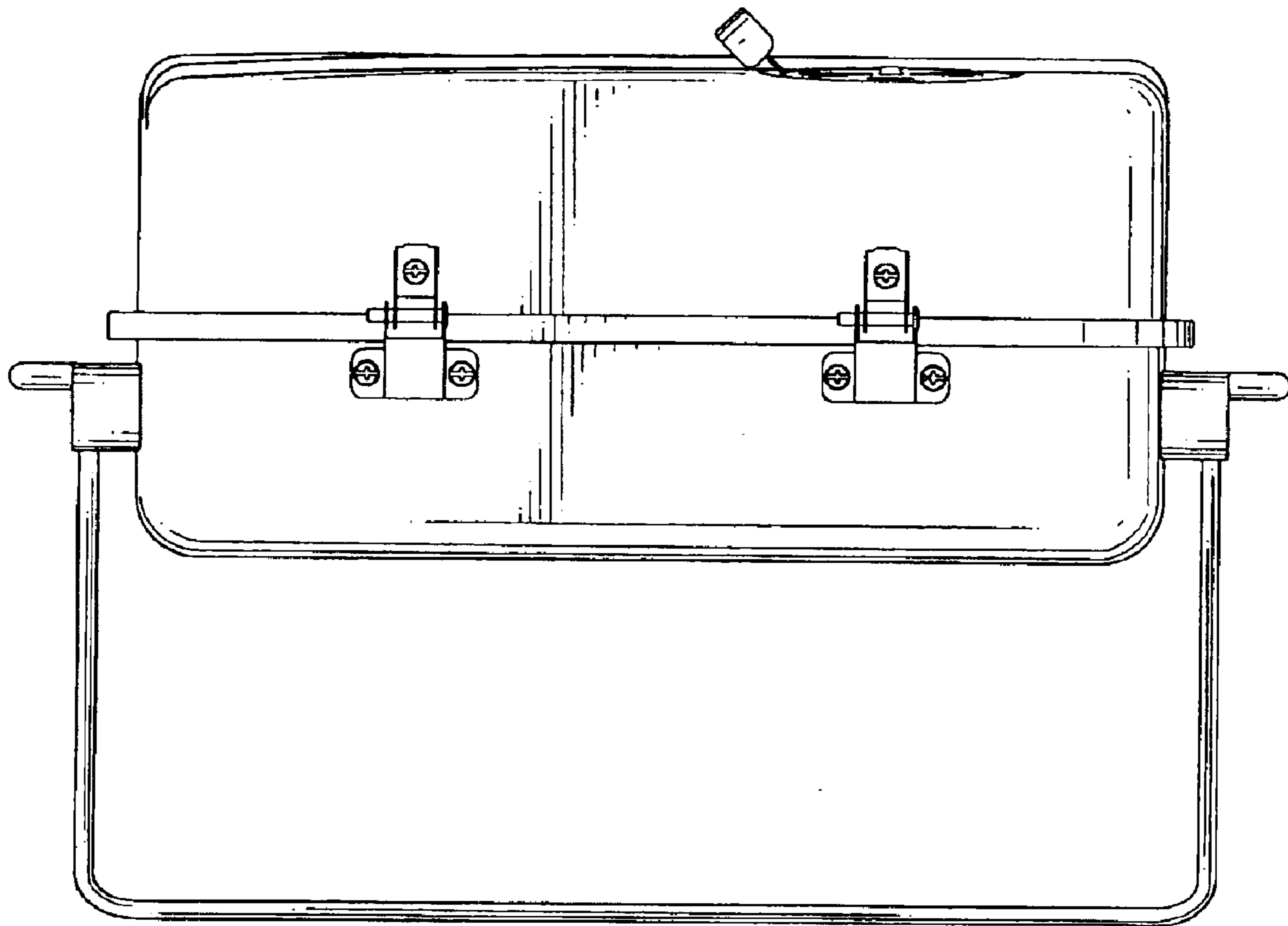


FIG. 10

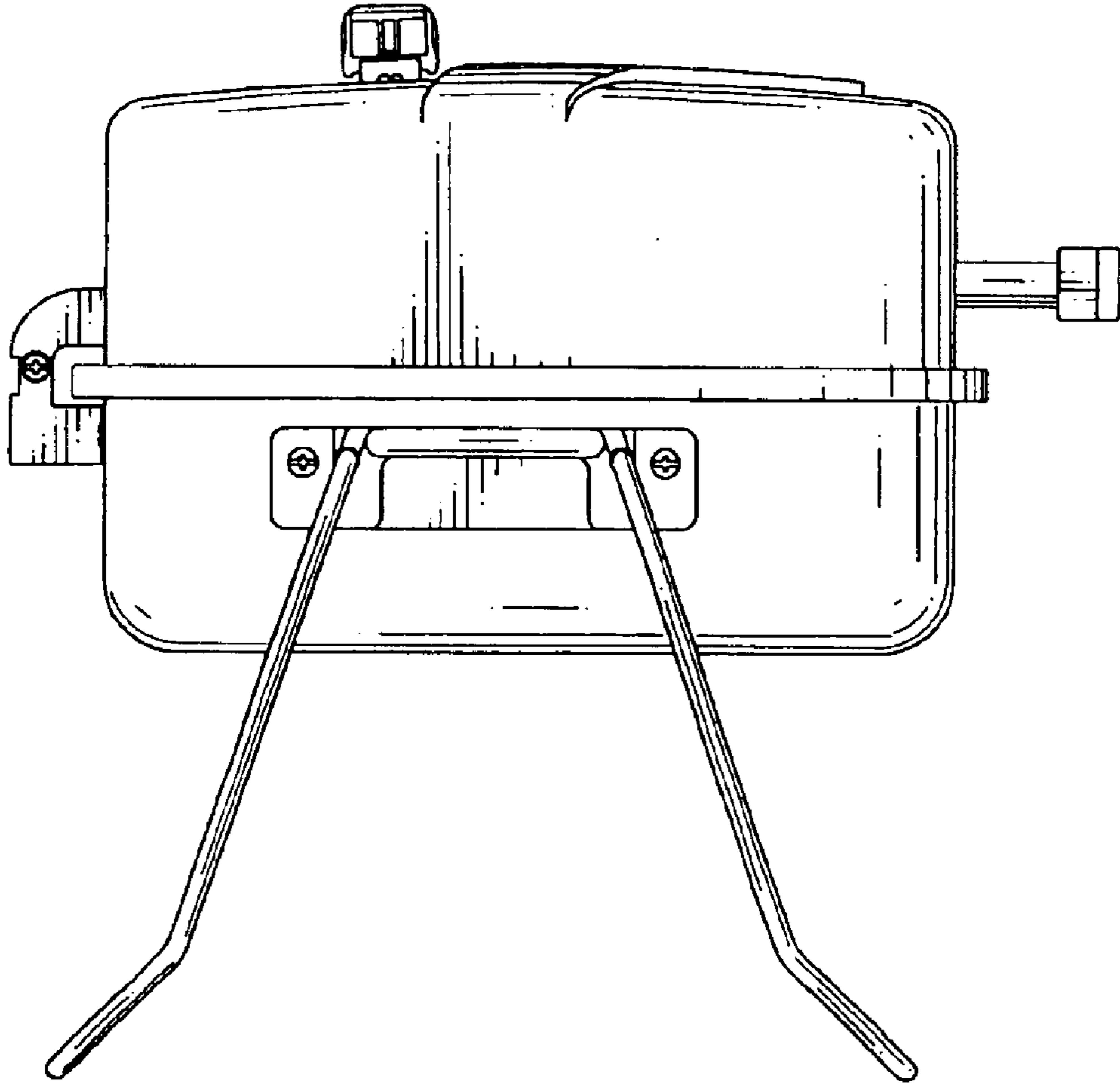


FIG. 11

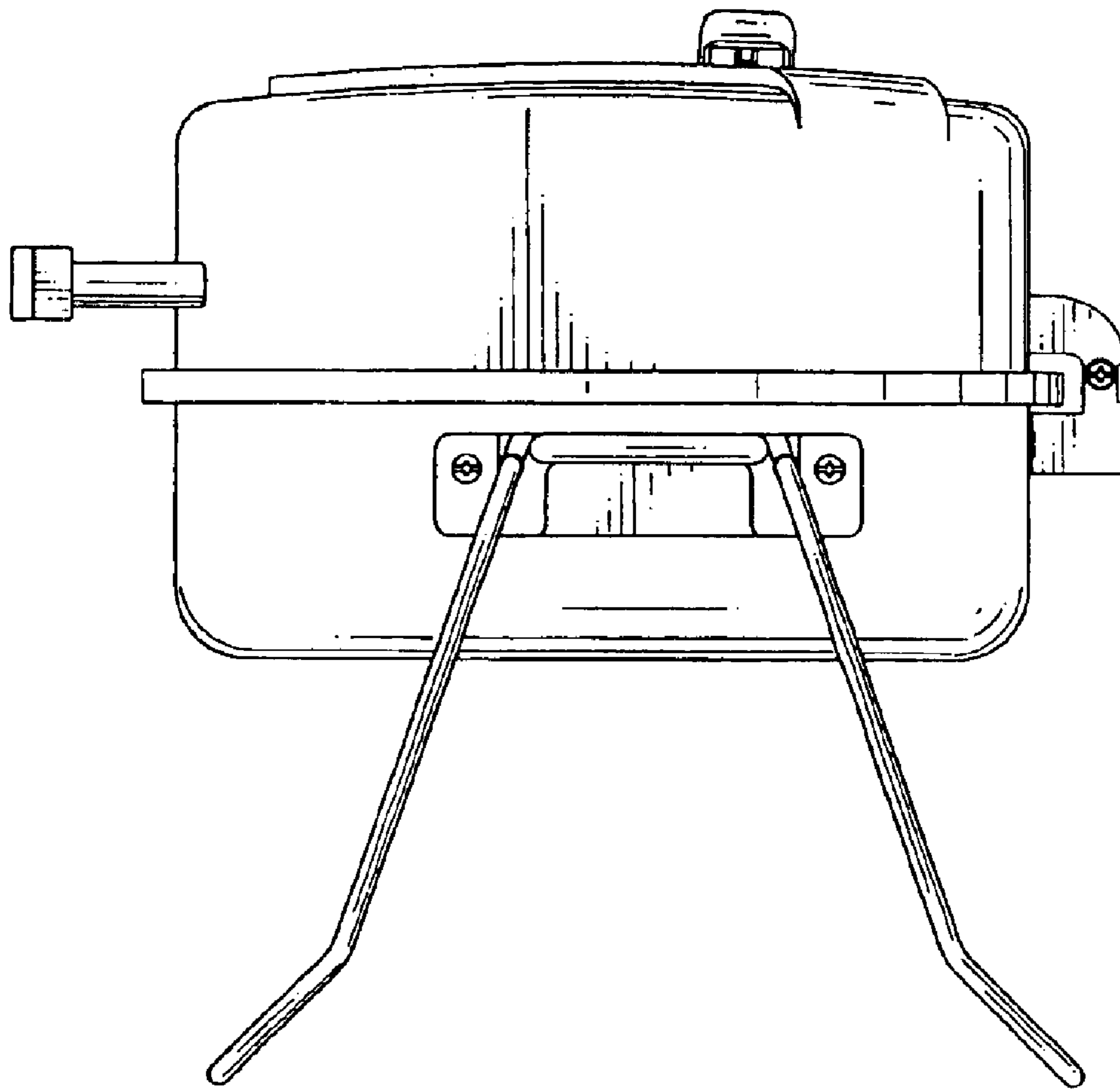


FIG. 12

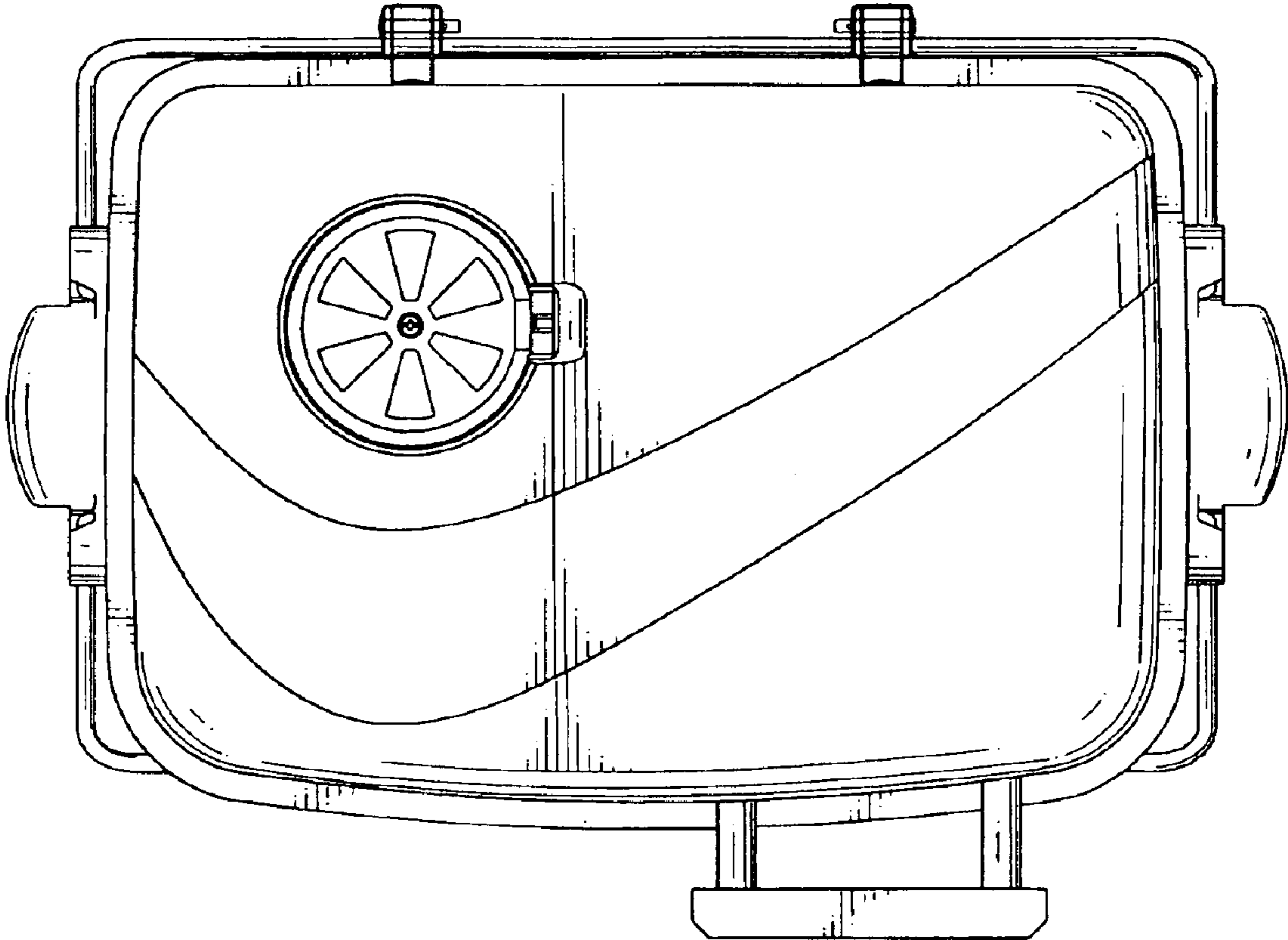


FIG. 13

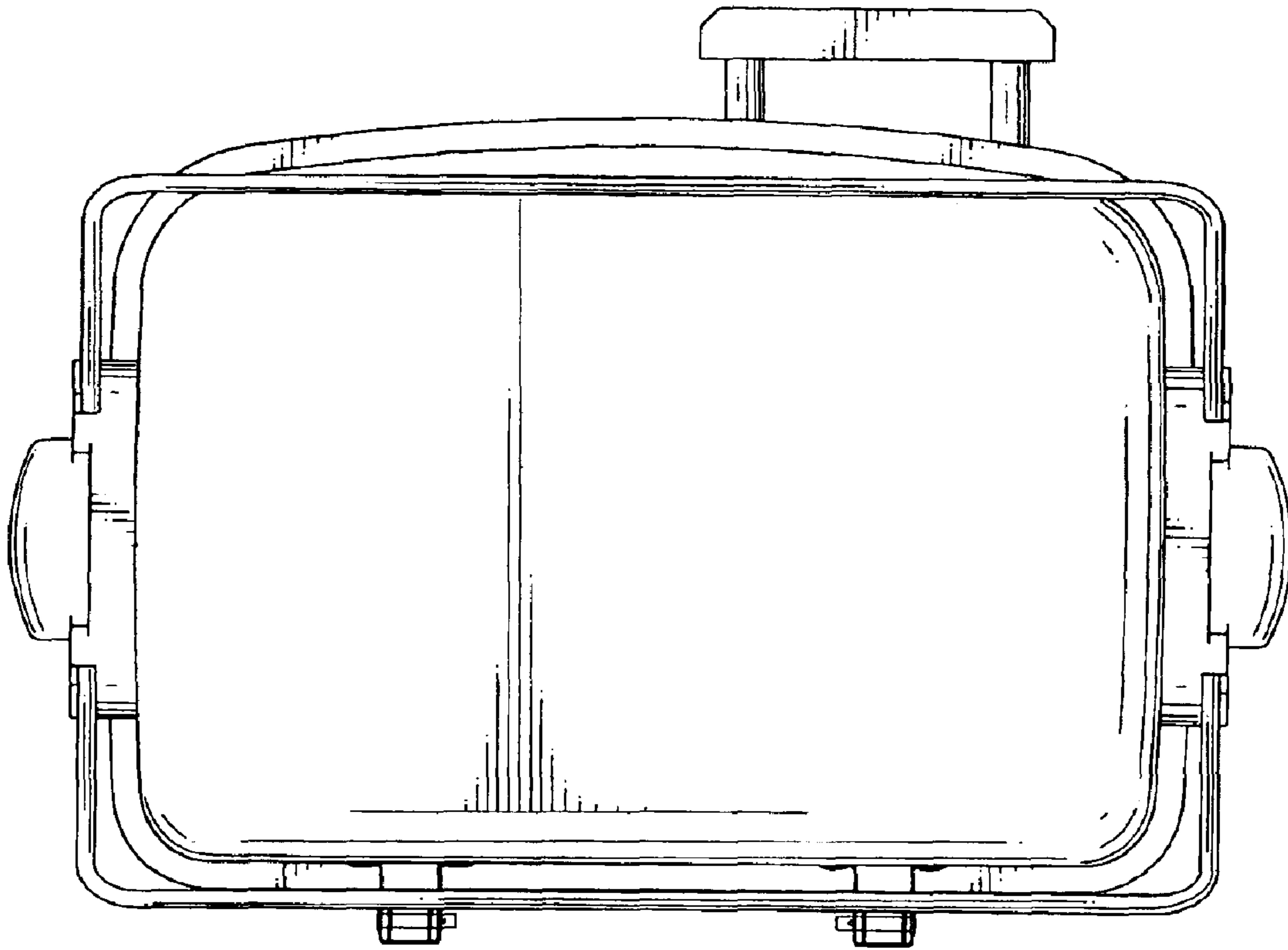


FIG. 14

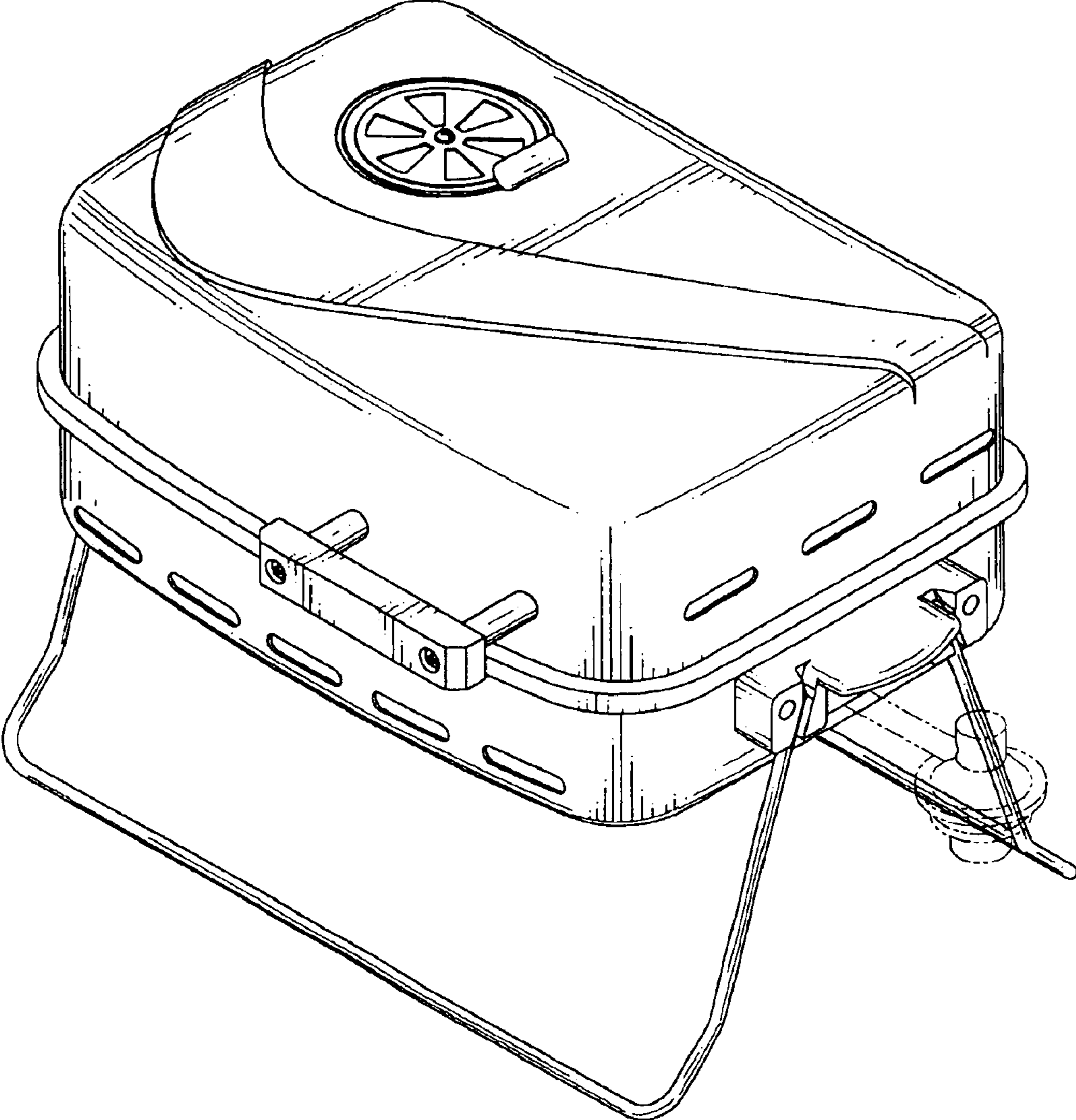


FIG. 15

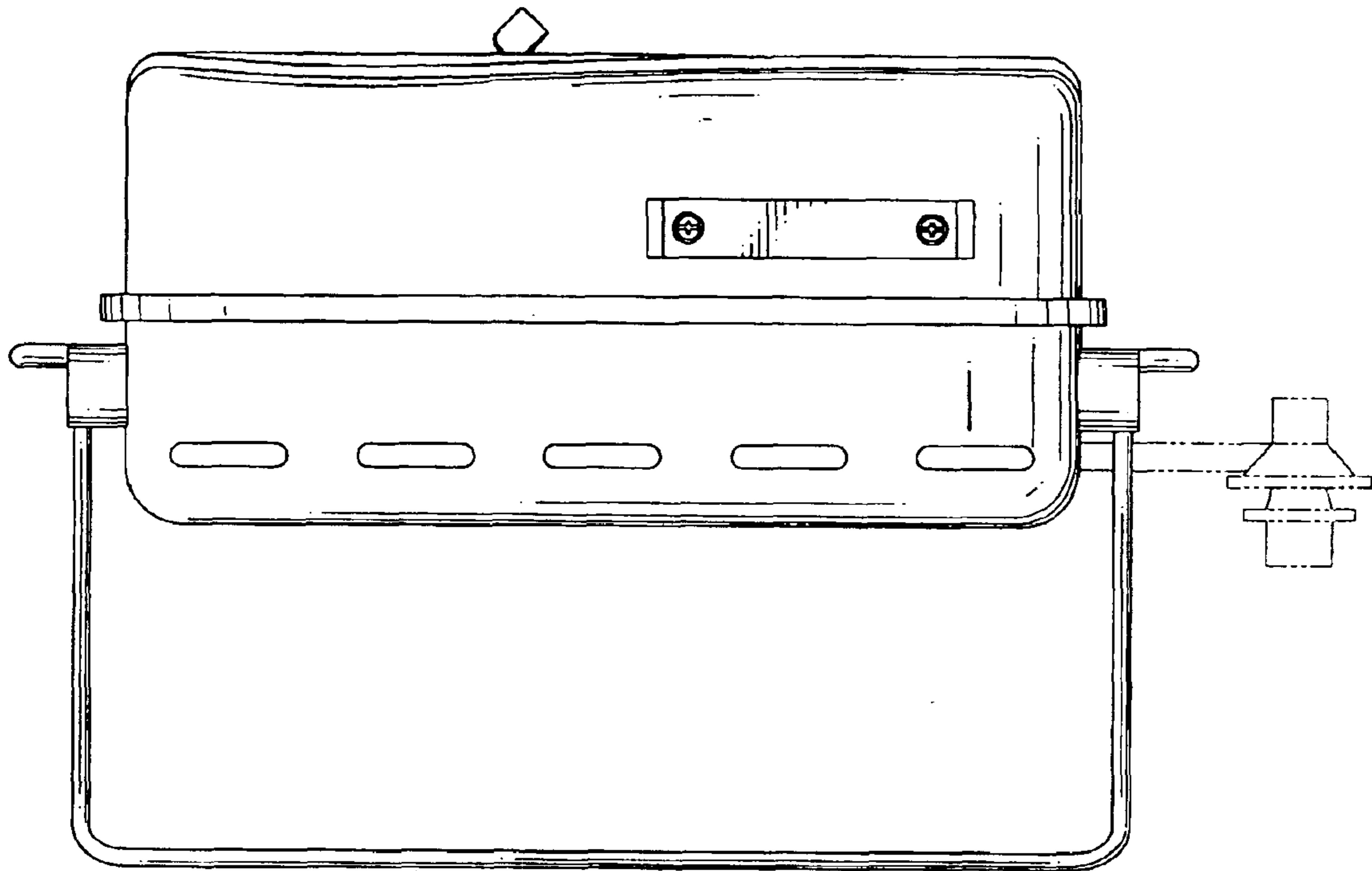


FIG. 16

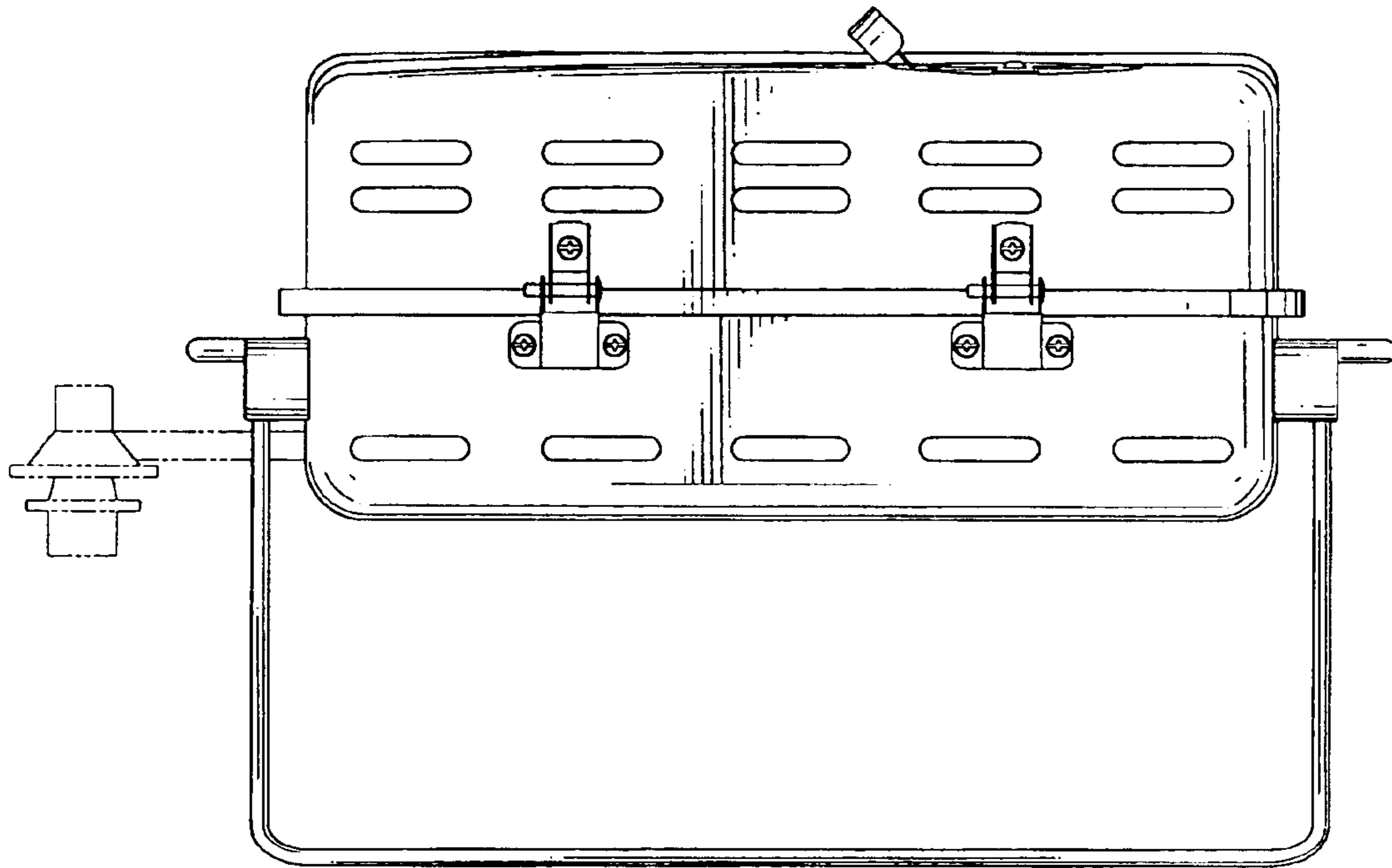


FIG. 17

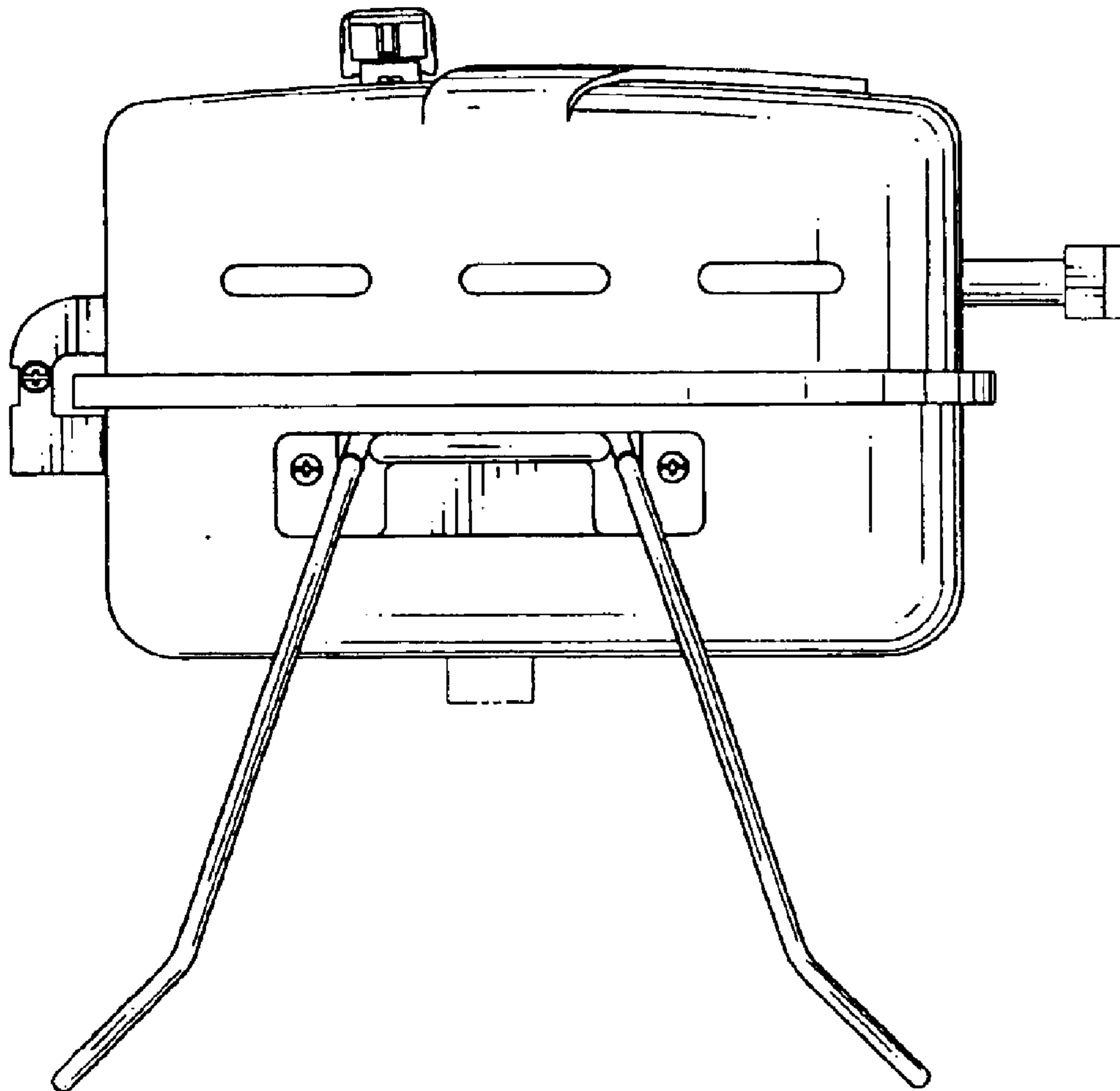


FIG. 18

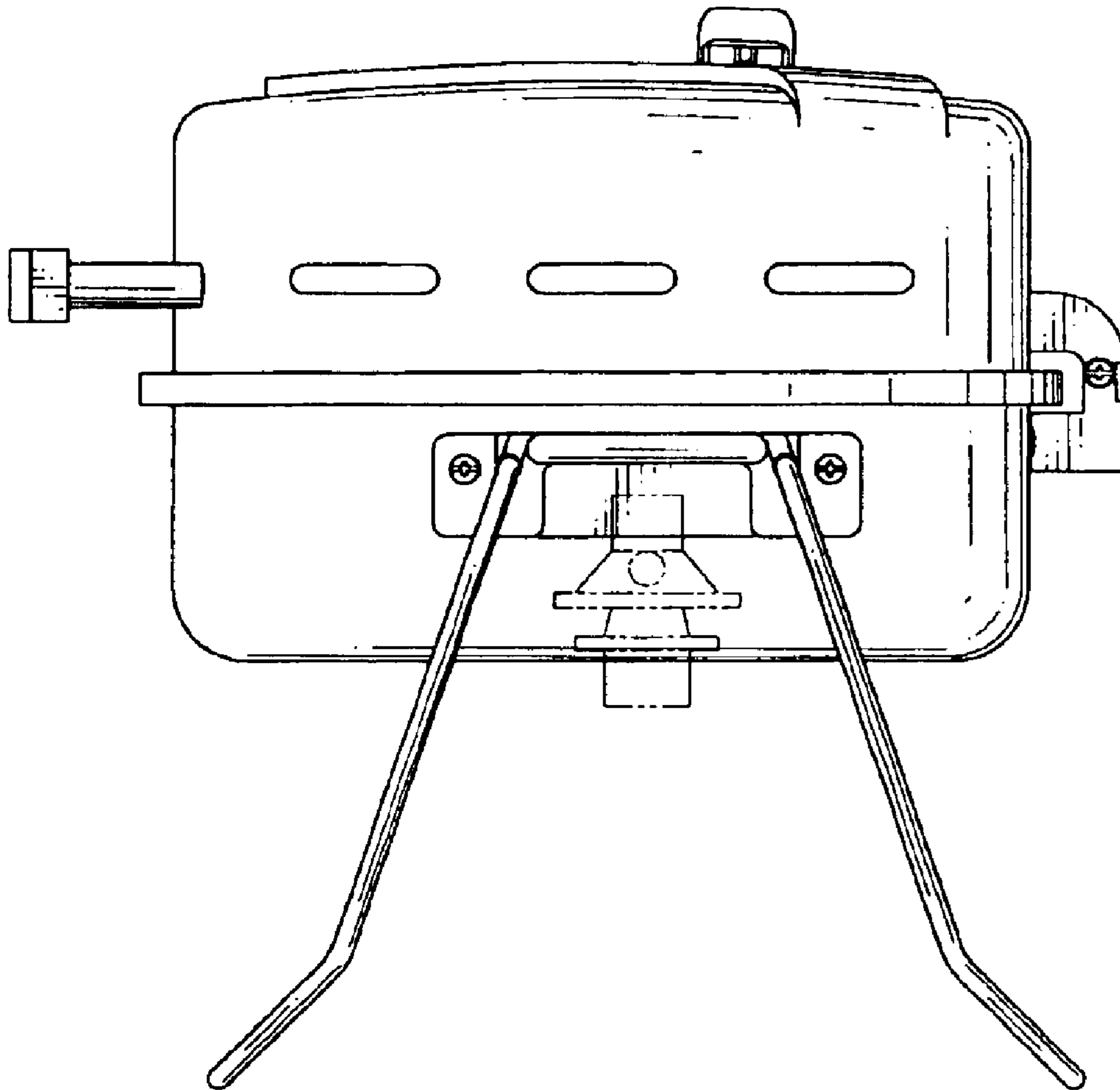


FIG. 19

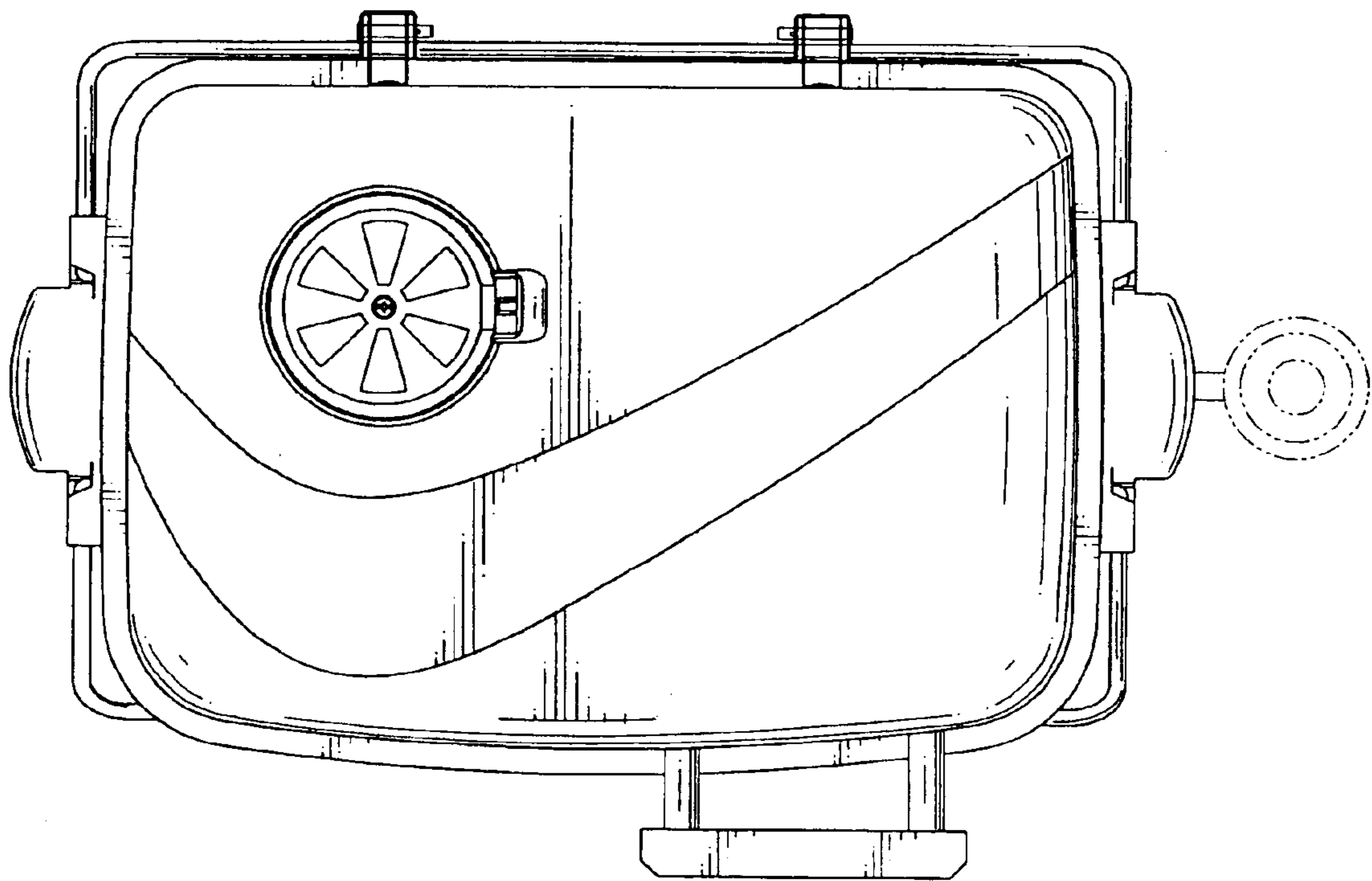


FIG. 20

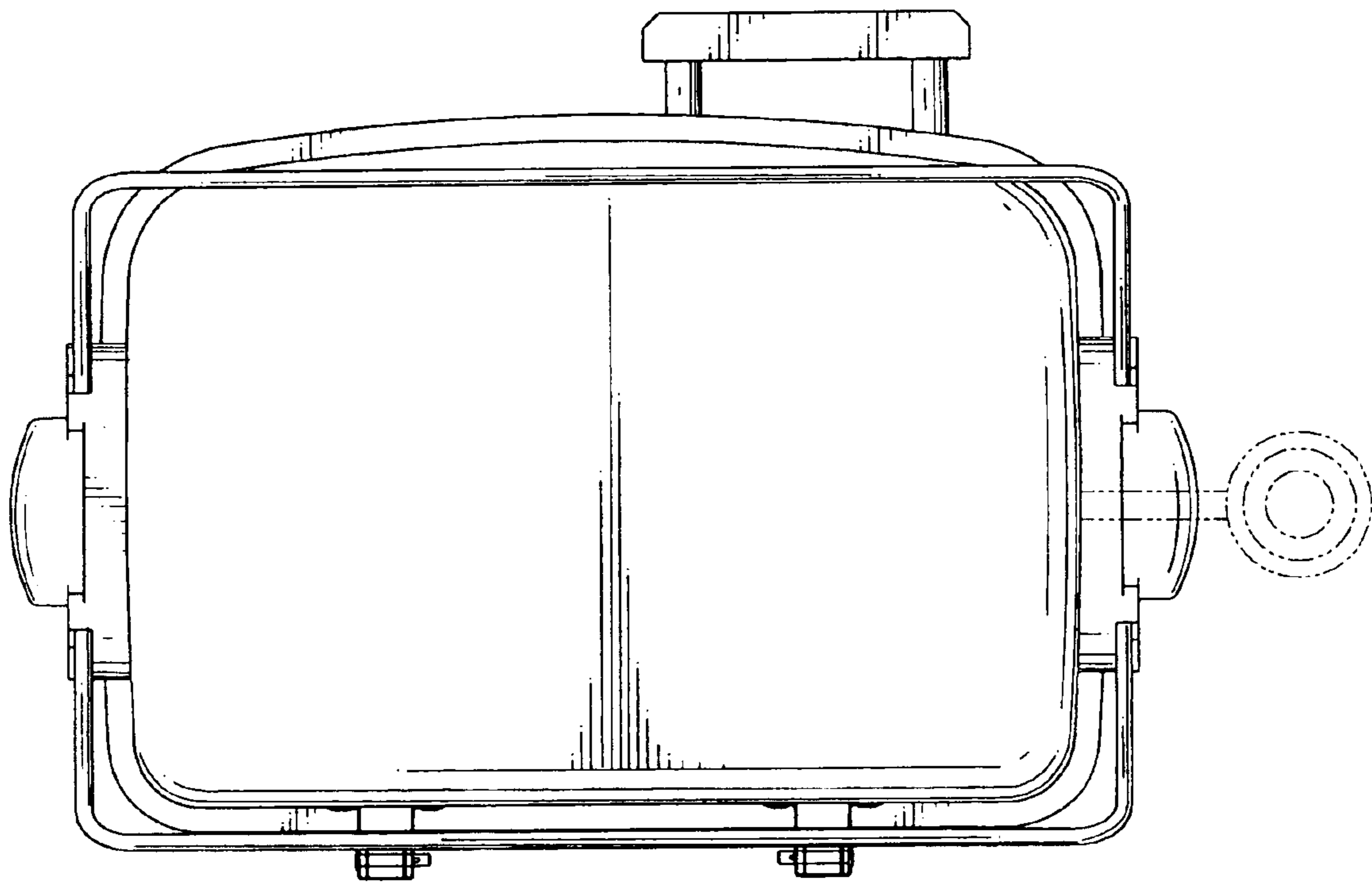


FIG. 21