

US00D504272S

(12) **United States Design Patent** (10) **Patent No.:** **US D504,272 S**
DeCarlo et al. (45) **Date of Patent:** **** Apr. 26, 2005**

(54) **COLLAPSIBLE MEDIA STORAGE CASE**

(75) Inventors: **Anthony J. DeCarlo**, Bay Village, OH (US); **Daniel V. Perella**, Hudson, OH (US); **Vincent J. Thomson**, Avon Lake, OH (US)

(73) Assignee: **Idea Stream Consumer Products LLC**, Parma, OH (US)

(**) Term: **14 Years**

(21) Appl. No.: **29/201,183**

(22) Filed: **Mar. 11, 2004**

(51) **LOC (7) Cl.** **06-04**

(52) **U.S. Cl.** **D6/632; D6/446**

(58) **Field of Search** D6/432-448, 407, D6/631-632; D3/297; D19/92; 312/204, 9.1, 9.47, 9.54, 9.64, 108, 257.1, 330.1

(56) **References Cited**

U.S. PATENT DOCUMENTS

D204,506	S	*	4/1966	Mellion	D3/297
3,748,008	A	*	7/1973	Pryor	312/184
D295,122	S	*	4/1988	Madsen	D6/407
5,016,946	A	*	5/1991	Reznikov et al.	312/108
5,454,634	A	*	10/1995	Herbst et al.	312/108
D435,364	S	*	12/2000	Felsenthal	D6/446
D493,303	S	*	7/2004	Perella et al.	D6/446
D497,252	S	*	10/2004	Perella et al.	D3/294

OTHER PUBLICATIONS

Metal Business Equipment, Peerless Steel Equipment Co., 1700 Series 2 drawer files, p. 61, May 1999.*

* cited by examiner

Primary Examiner—Cathron Brooks

(74) *Attorney, Agent, or Firm*—Renner, Otto, Boisselle & Sklar LLP

(57) **CLAIM**

The ornamental design for a collapsible media storage case, as shown and described.

DESCRIPTION

FIG. 1 is a perspective view of a collapsible media storage case in an assembled state, with one drawer in an extended position showing our new design;

FIG. 2 is a perspective view of a collapsible box of the collapsible media storage case, shown separately for completeness of illustration;

FIG. 3 is a front elevation view of the collapsible box;

FIG. 4 is a top plan view of the collapsible box, the bottom plan view is similar to the top plan view;

FIG. 5 is a left side elevation view of the collapsible box, the right side elevation view is similar to the left side elevation view;

FIG. 6 is a rear elevation view of the collapsible box;

FIG. 7 is a top plan view of the collapsible box in a collapsed state;

FIG. 8 is a perspective view of a collapsible drawer of the collapsible media storage case, shown separately for completeness of illustration;

FIG. 9 is a front elevation view of the collapsible drawer;

FIG. 10 is a top plan view of the collapsible drawer, the bottom plan view is similar to the top plan view;

FIG. 11 is a left side elevation view of the collapsible drawer, the right side elevation view is similar to the left side elevation view;

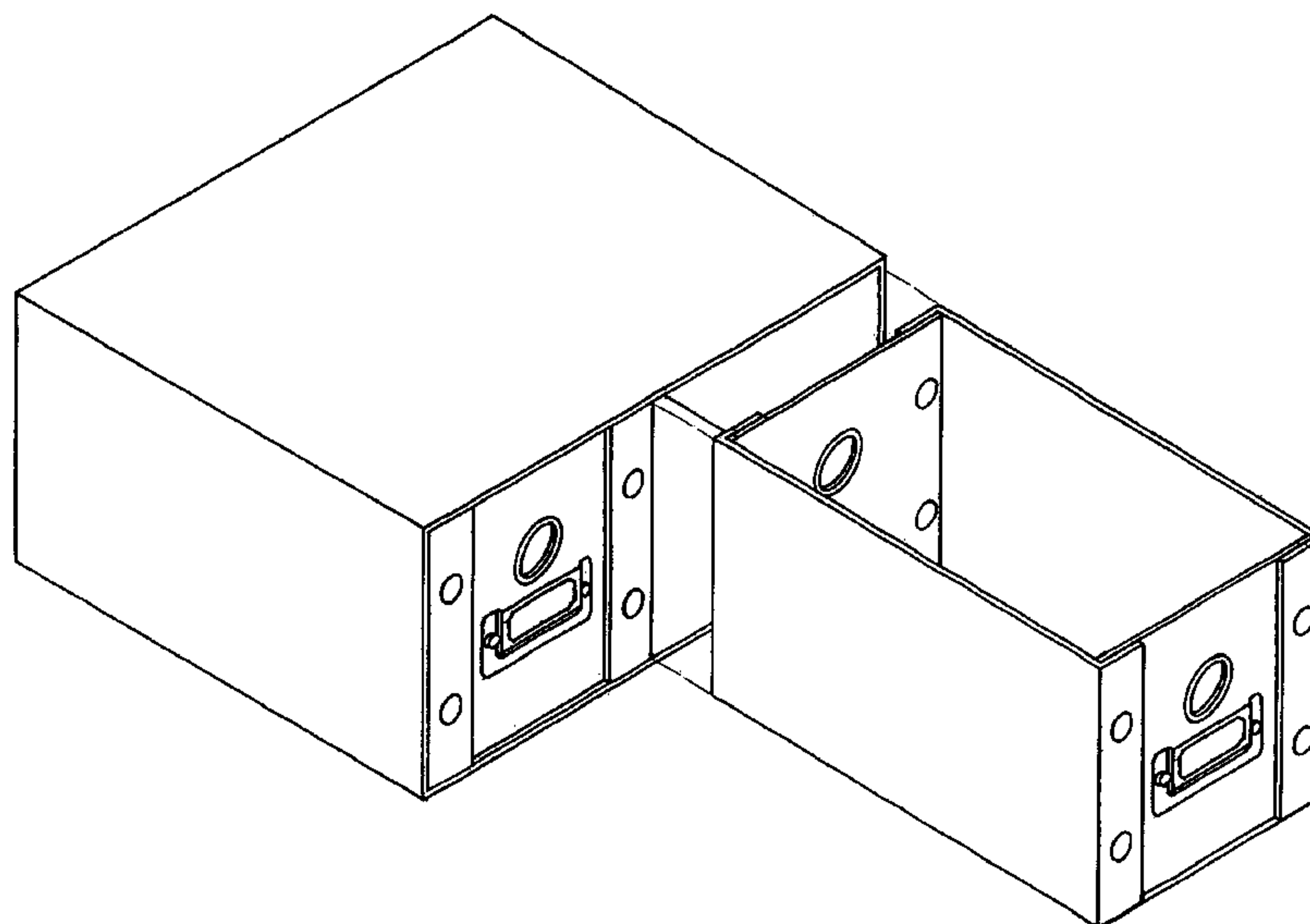
FIG. 12 is a rear elevation view of the collapsible drawer;

FIG. 13 is a bottom plan view of the collapsible drawer;

FIG. 14 is a top plan view of the collapsible drawer in a collapsed state; and,

FIG. 15 is a bottom plan view of the collapsible drawer in a collapsed state.

1 Claim, 10 Drawing Sheets



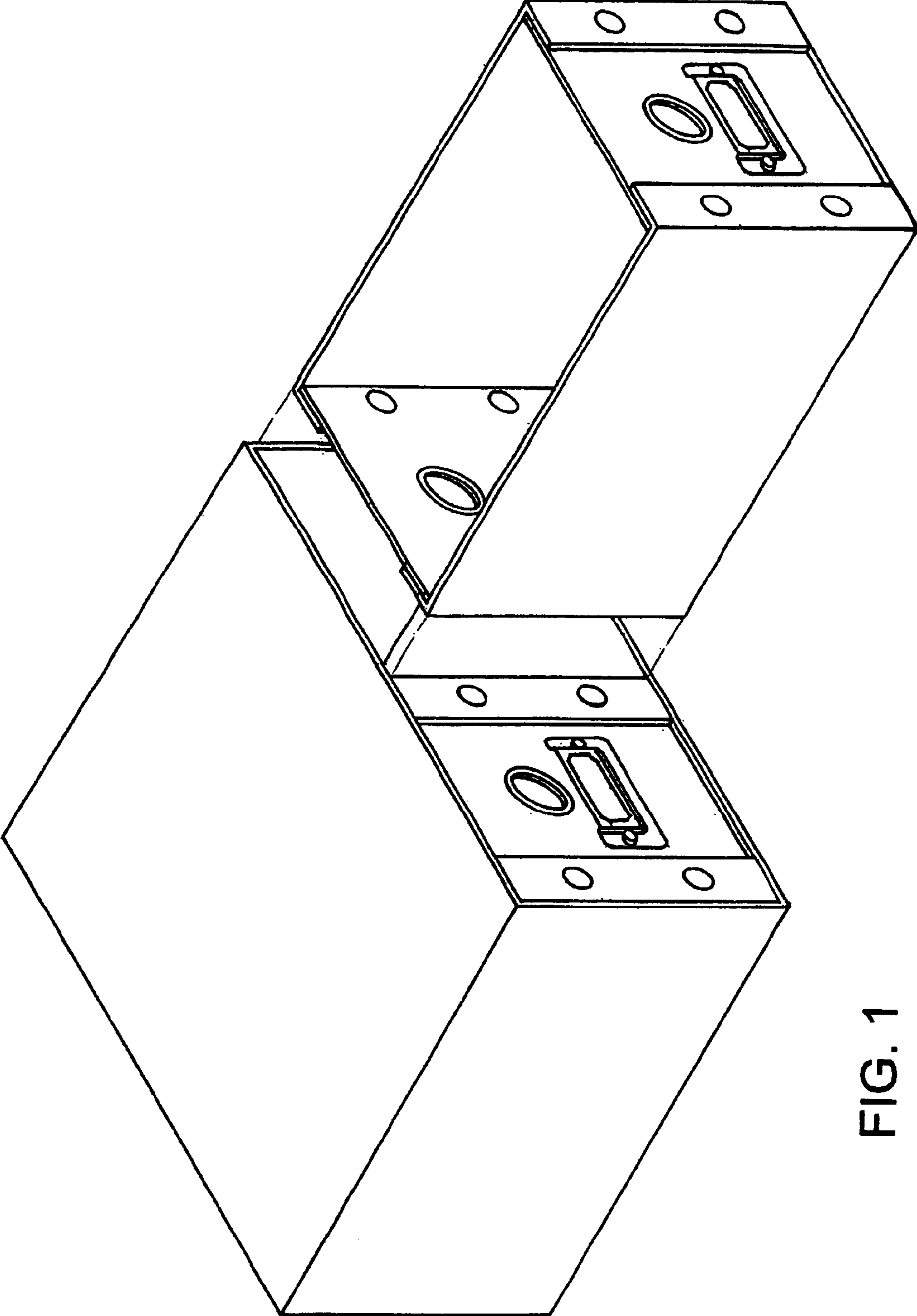


FIG. 1

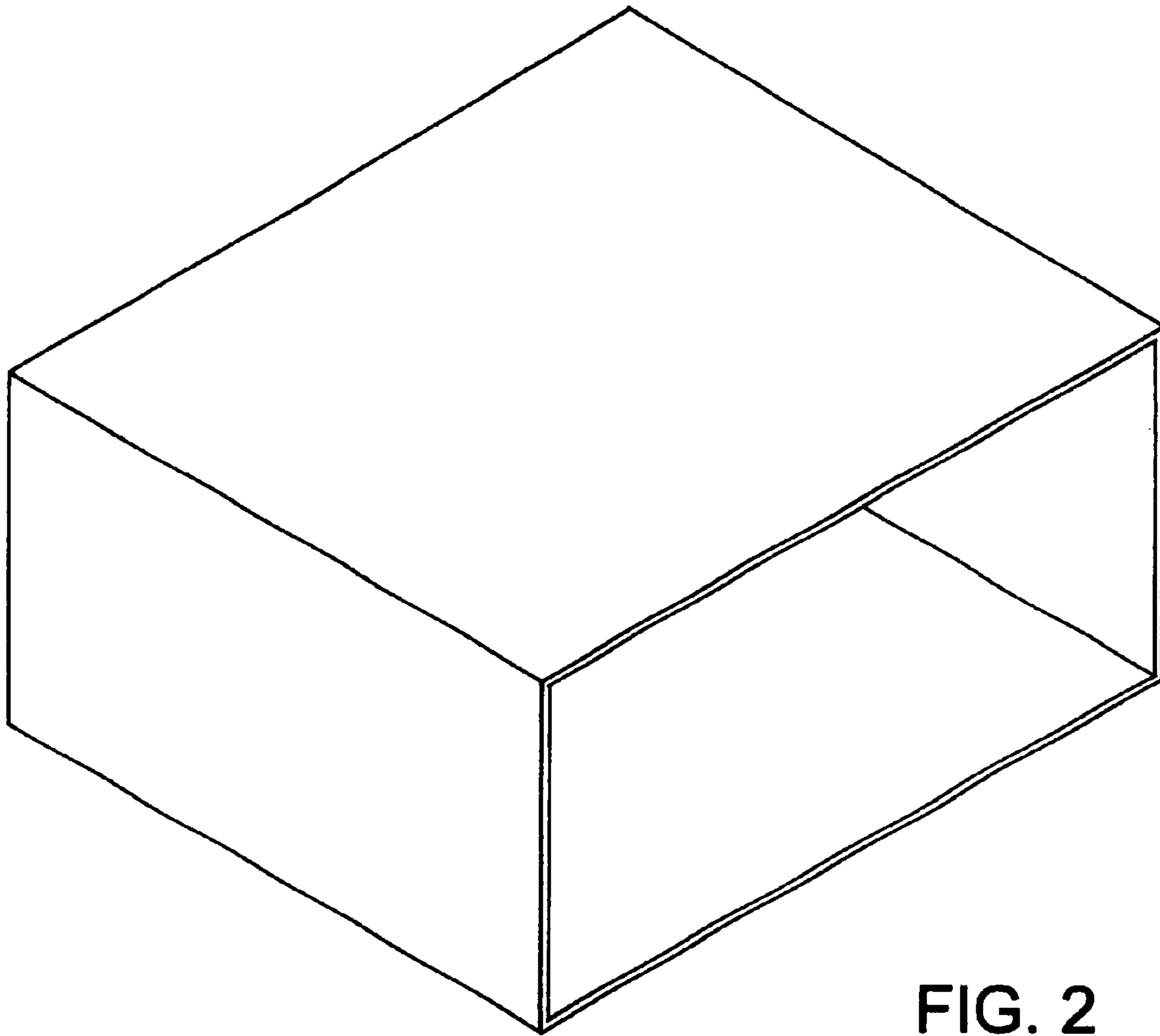


FIG. 2

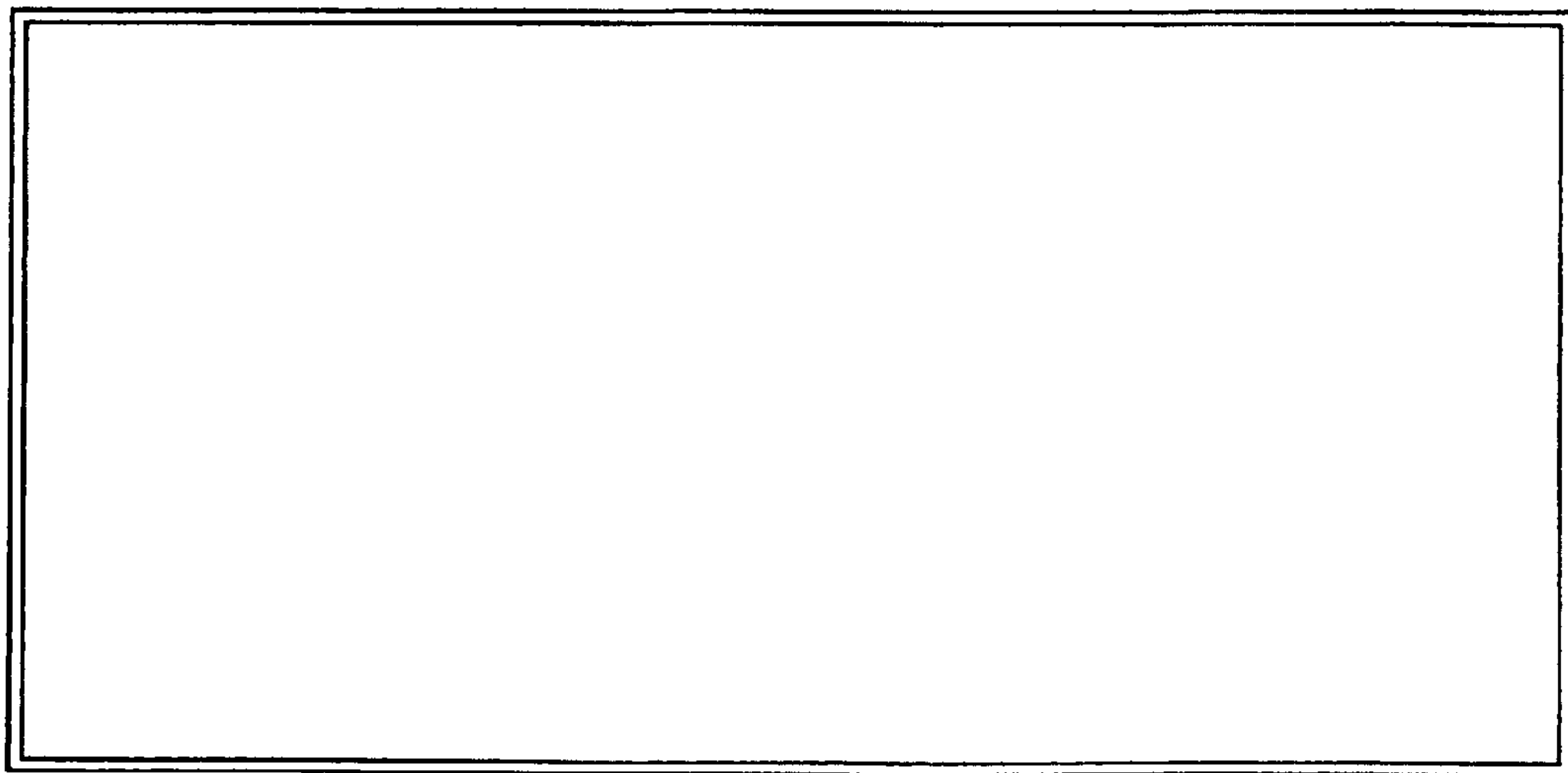


FIG. 3

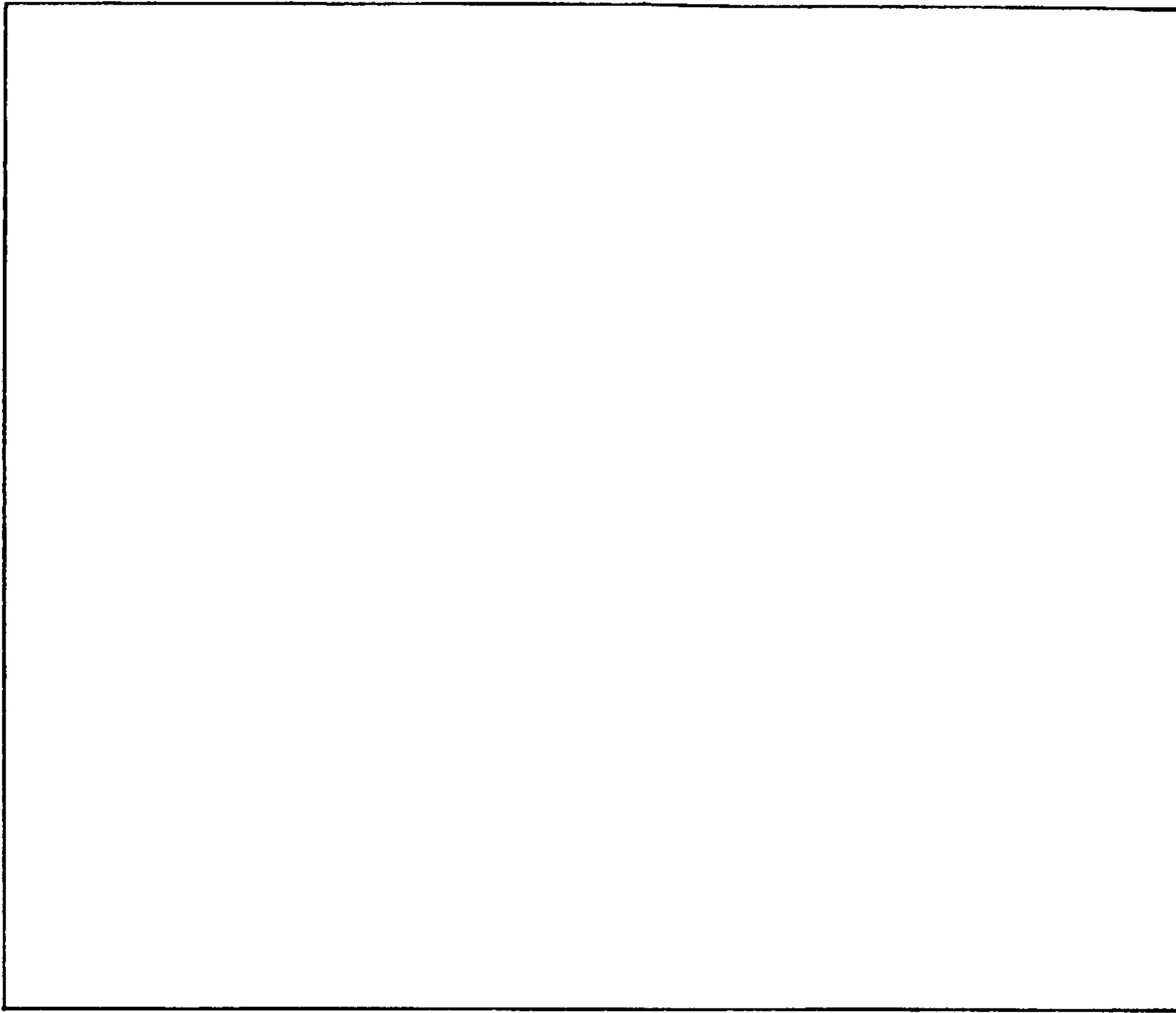


FIG. 4

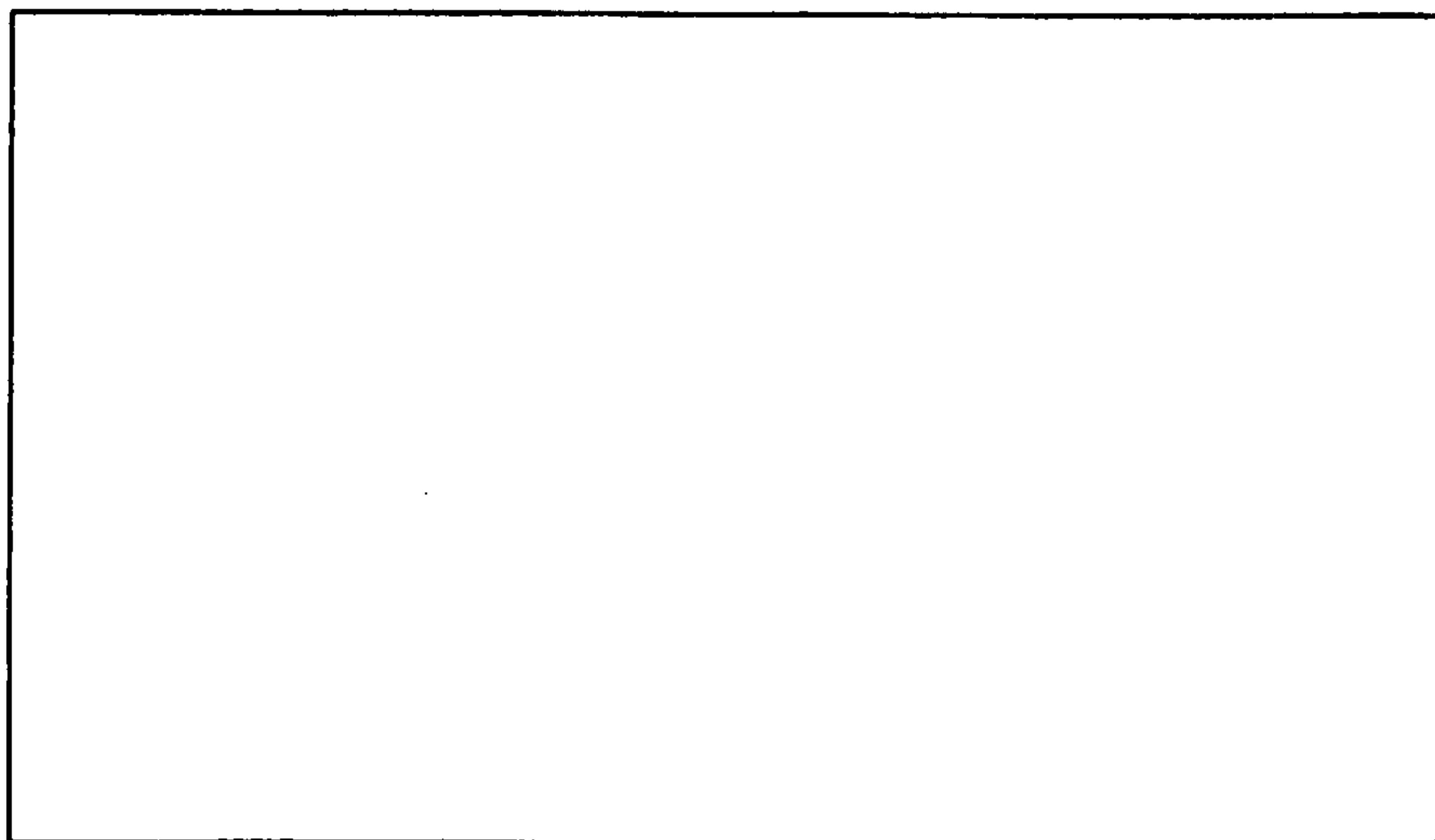


FIG. 5

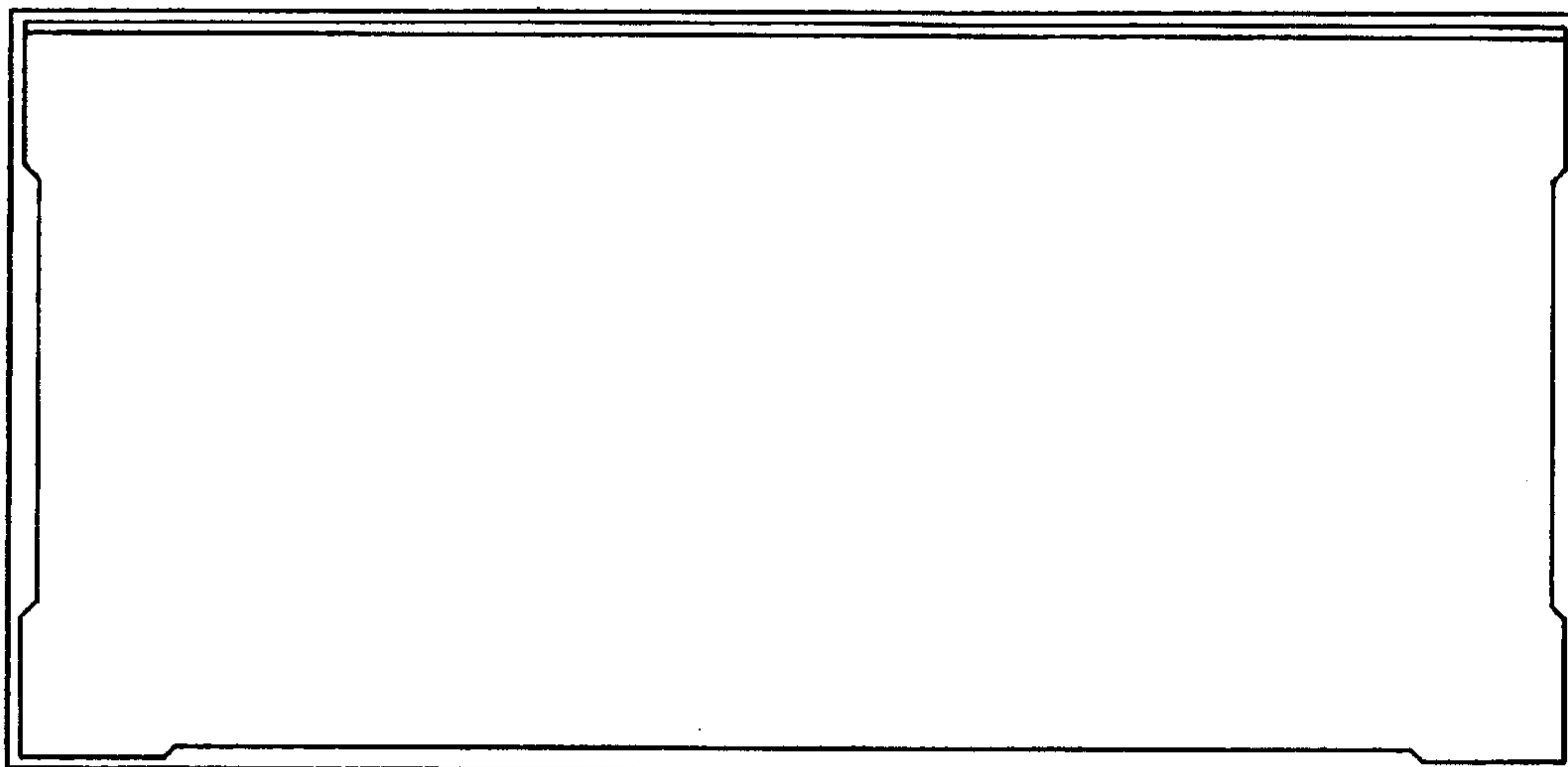


FIG. 6

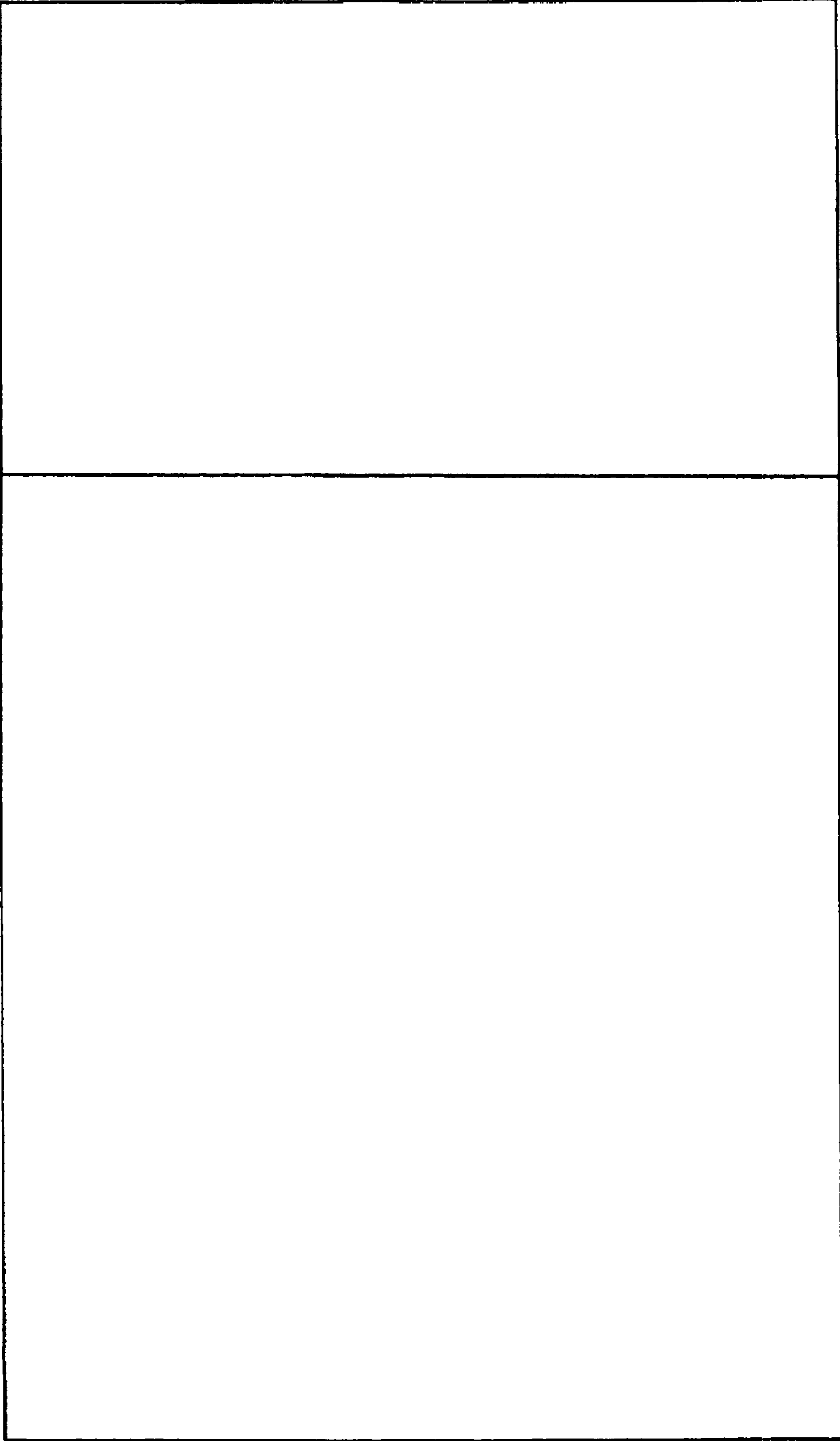


FIG. 7

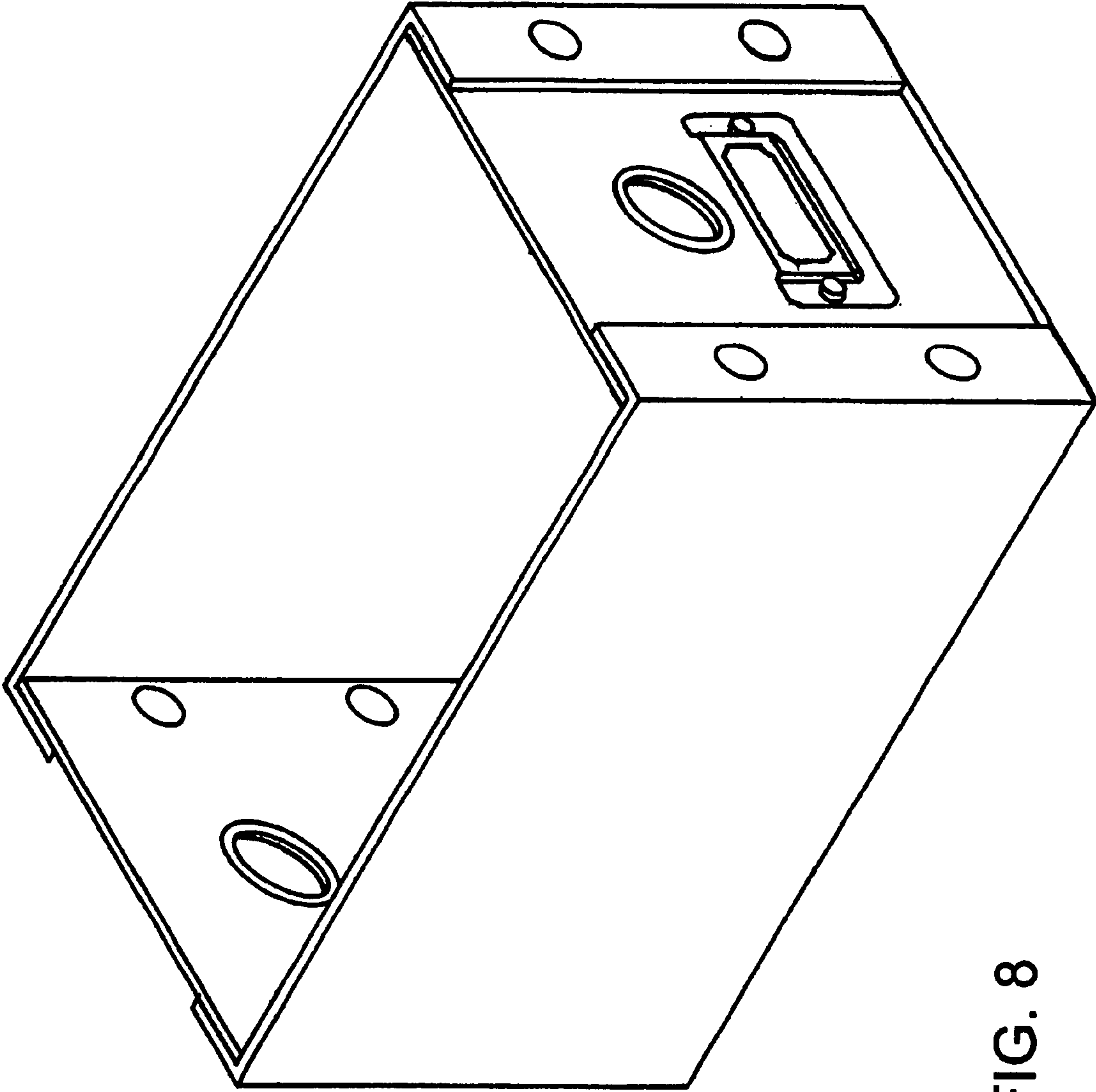


FIG. 8

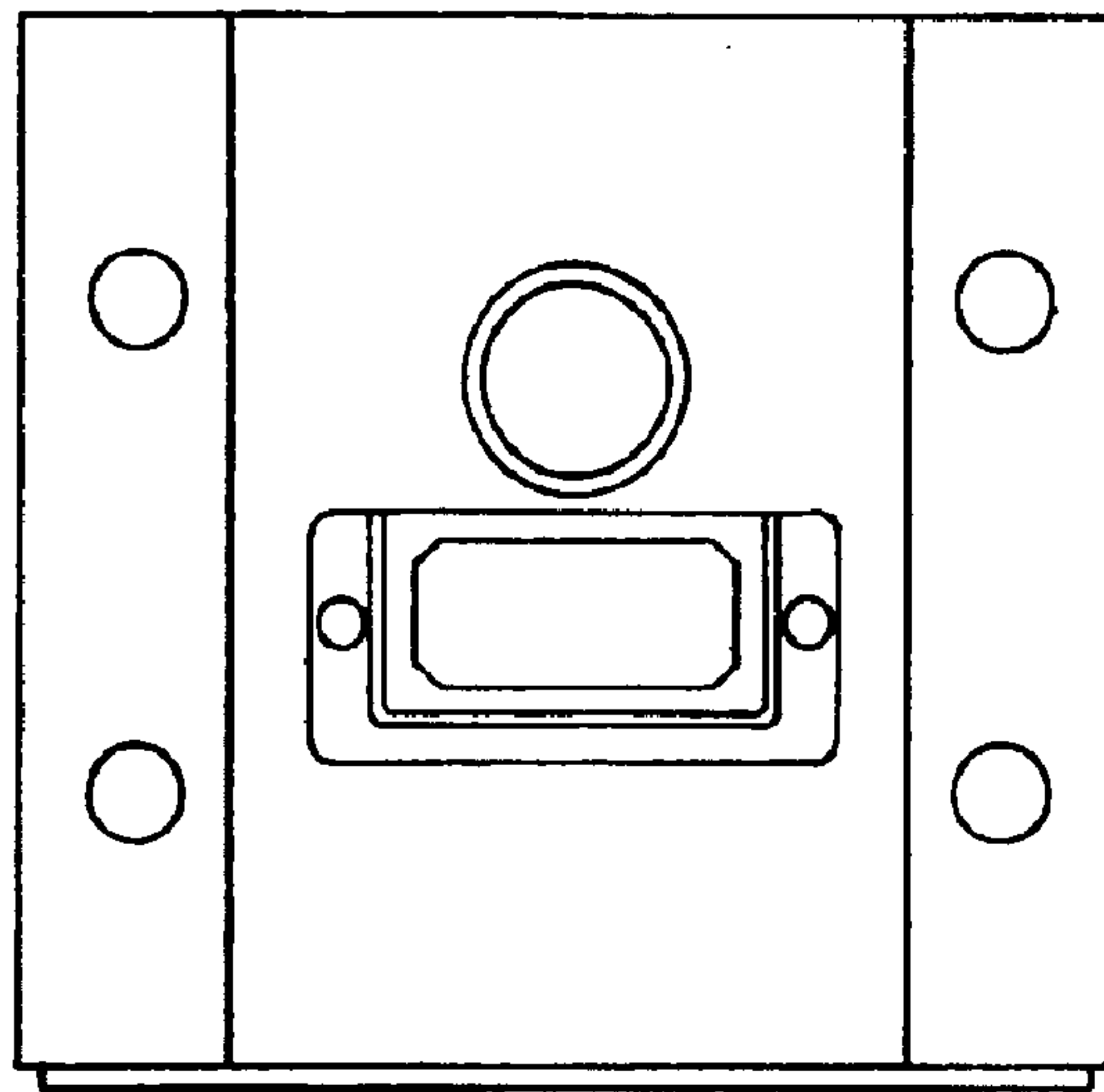


FIG. 9

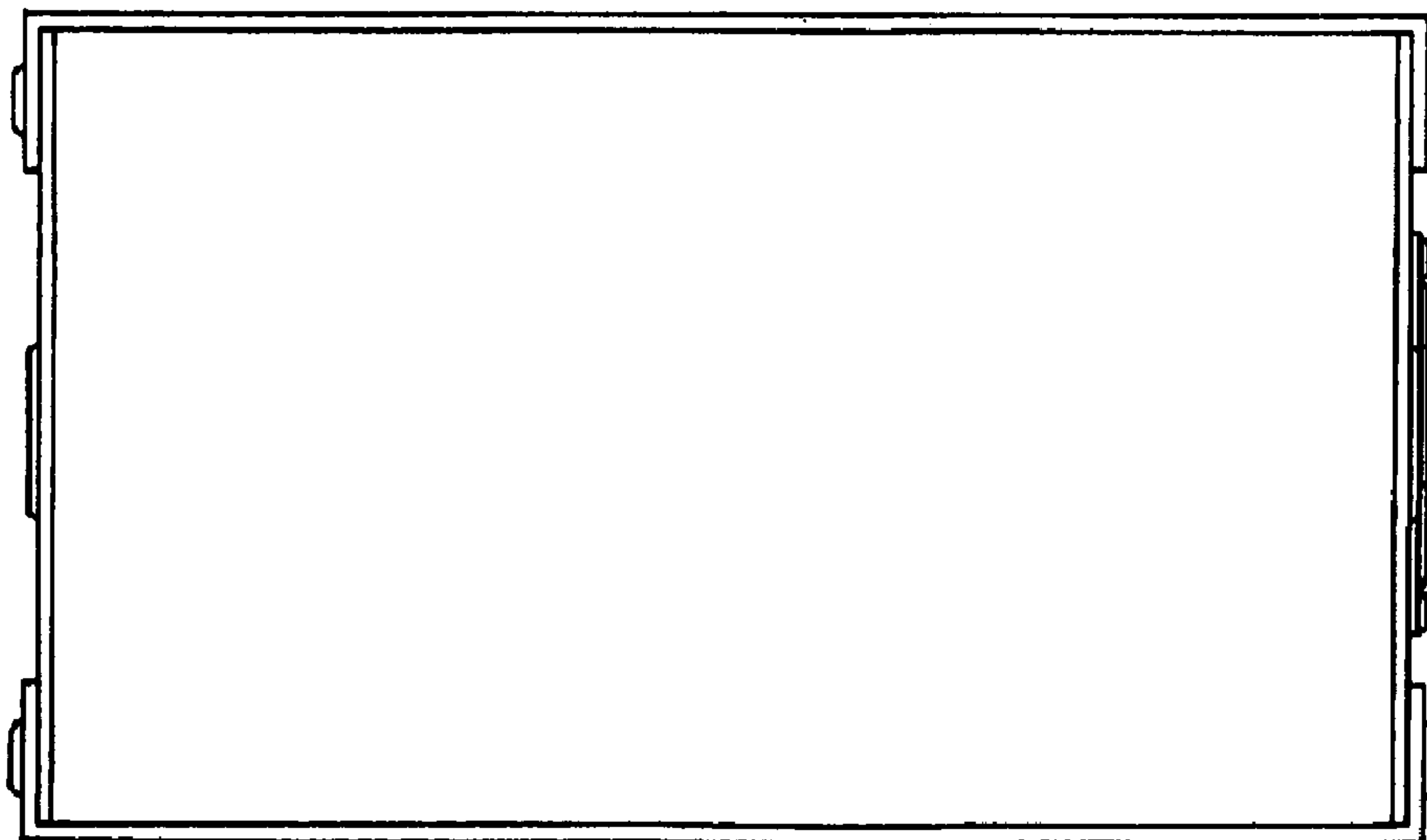


FIG. 10

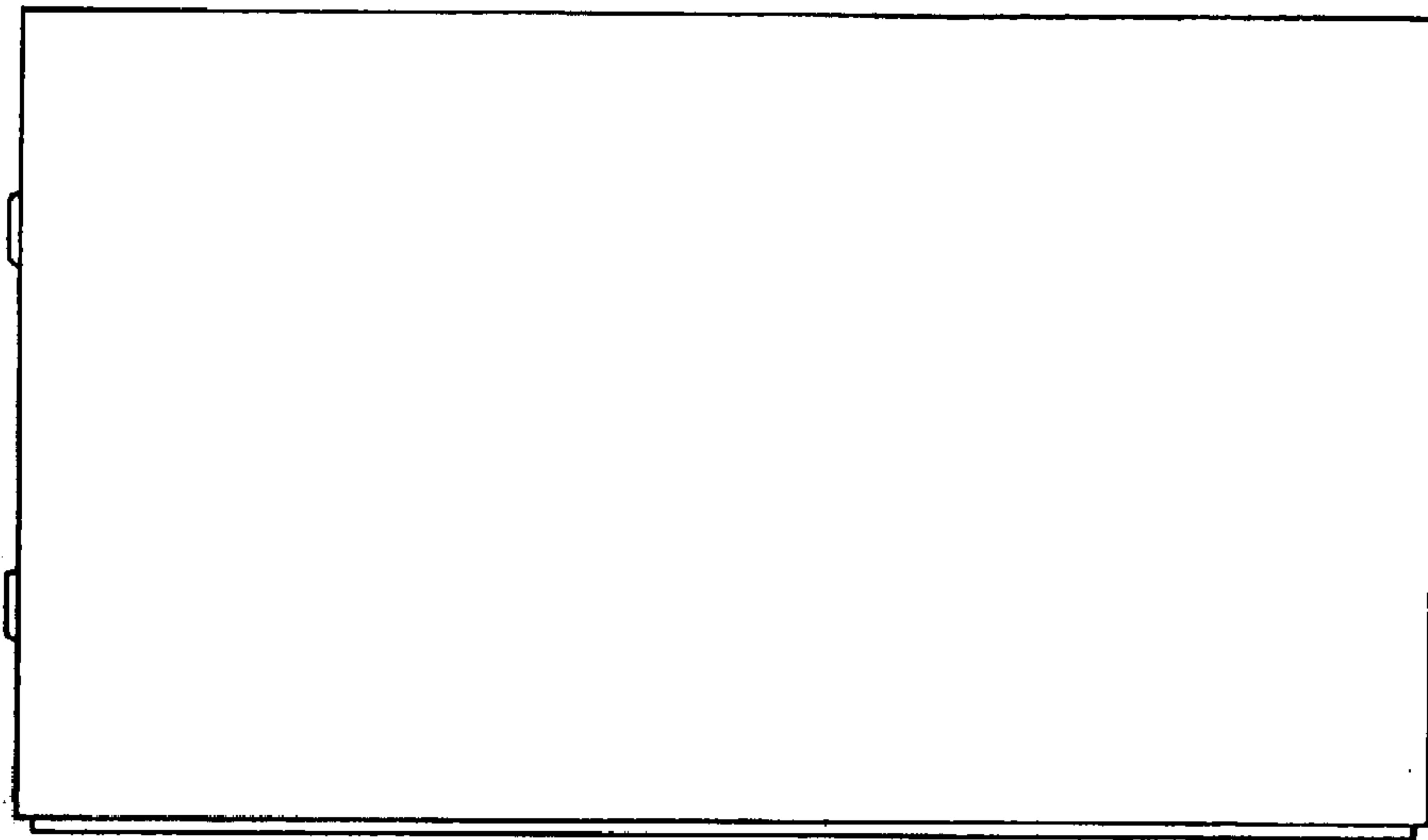


FIG. 11

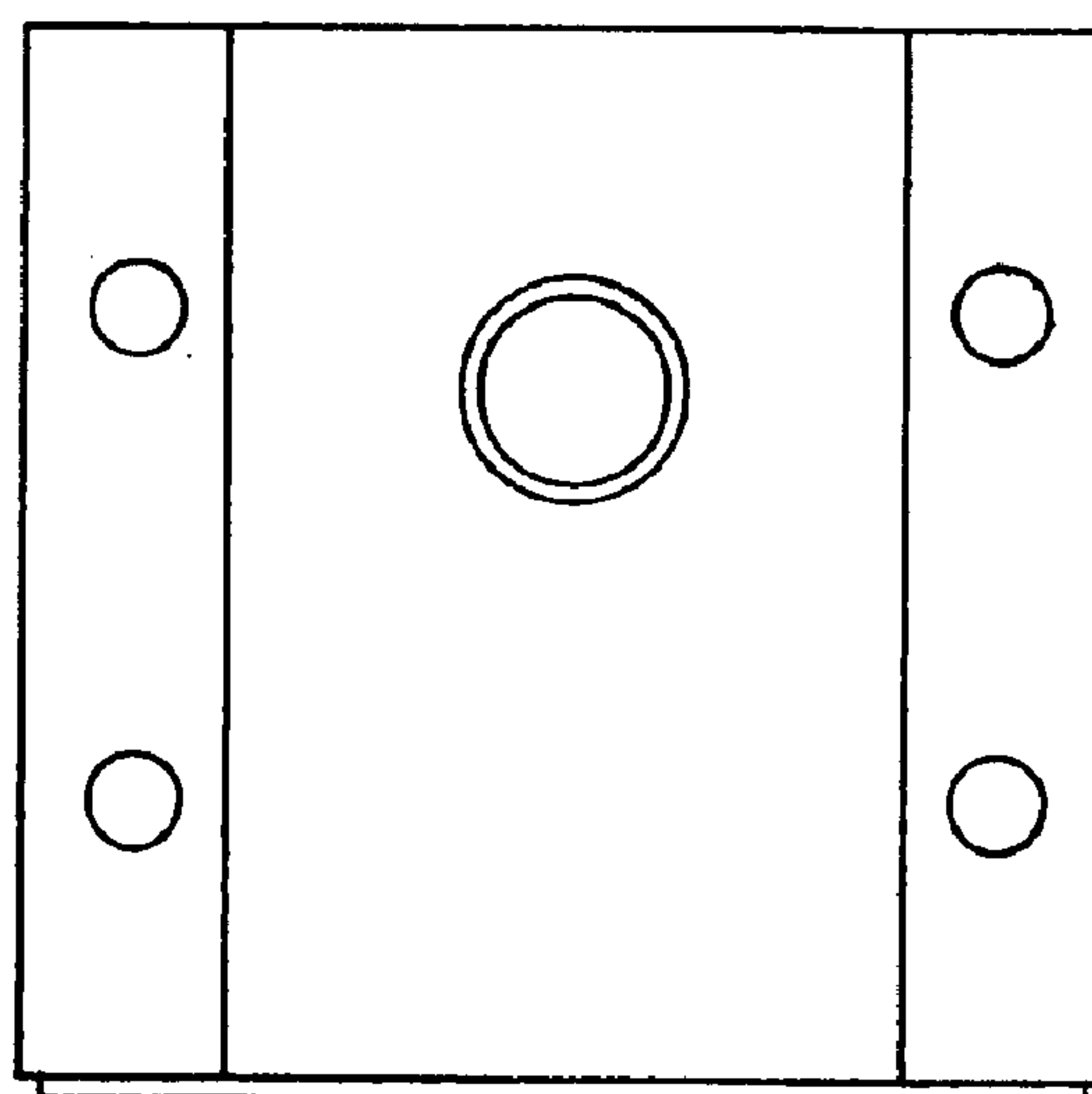


FIG. 12

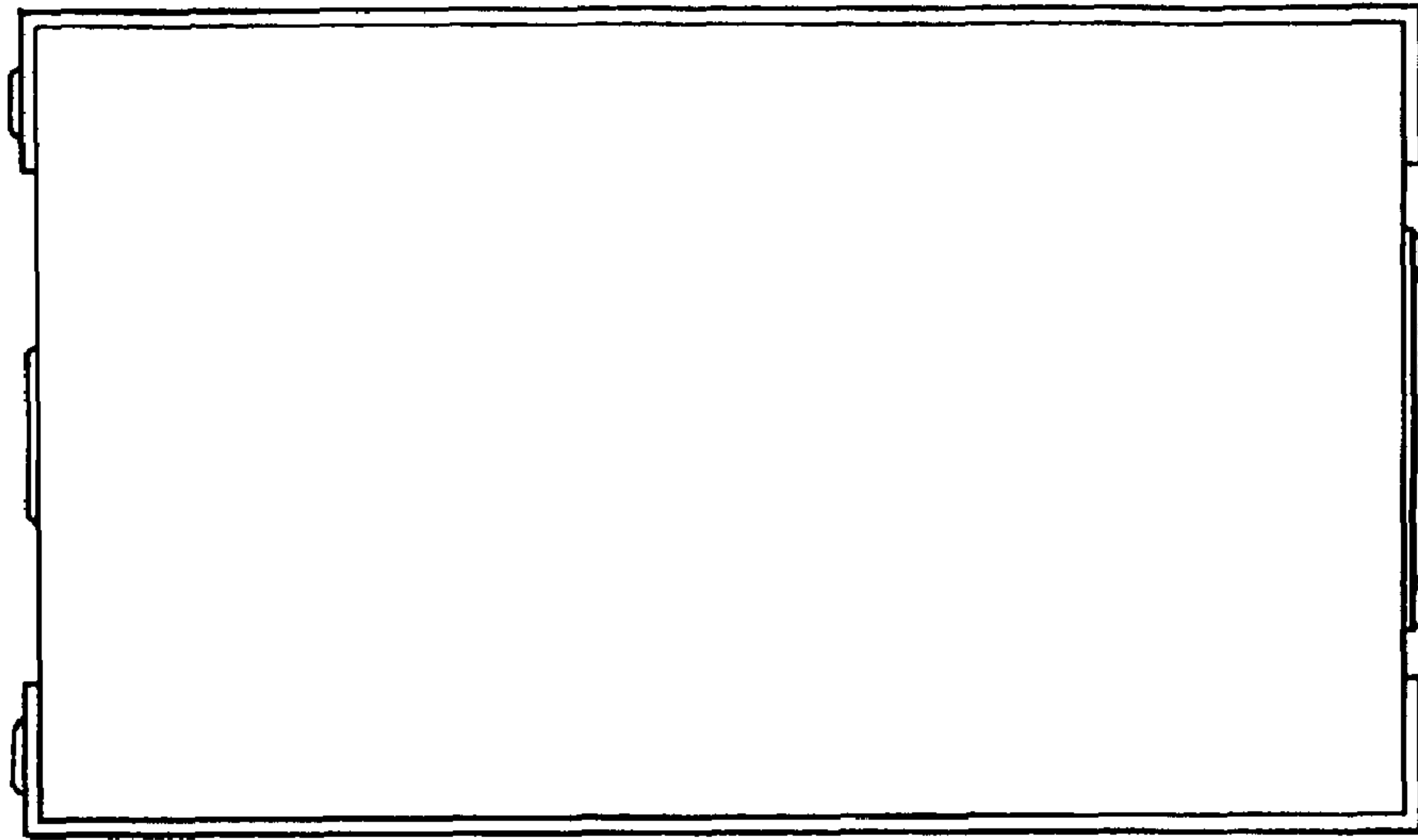


FIG. 13

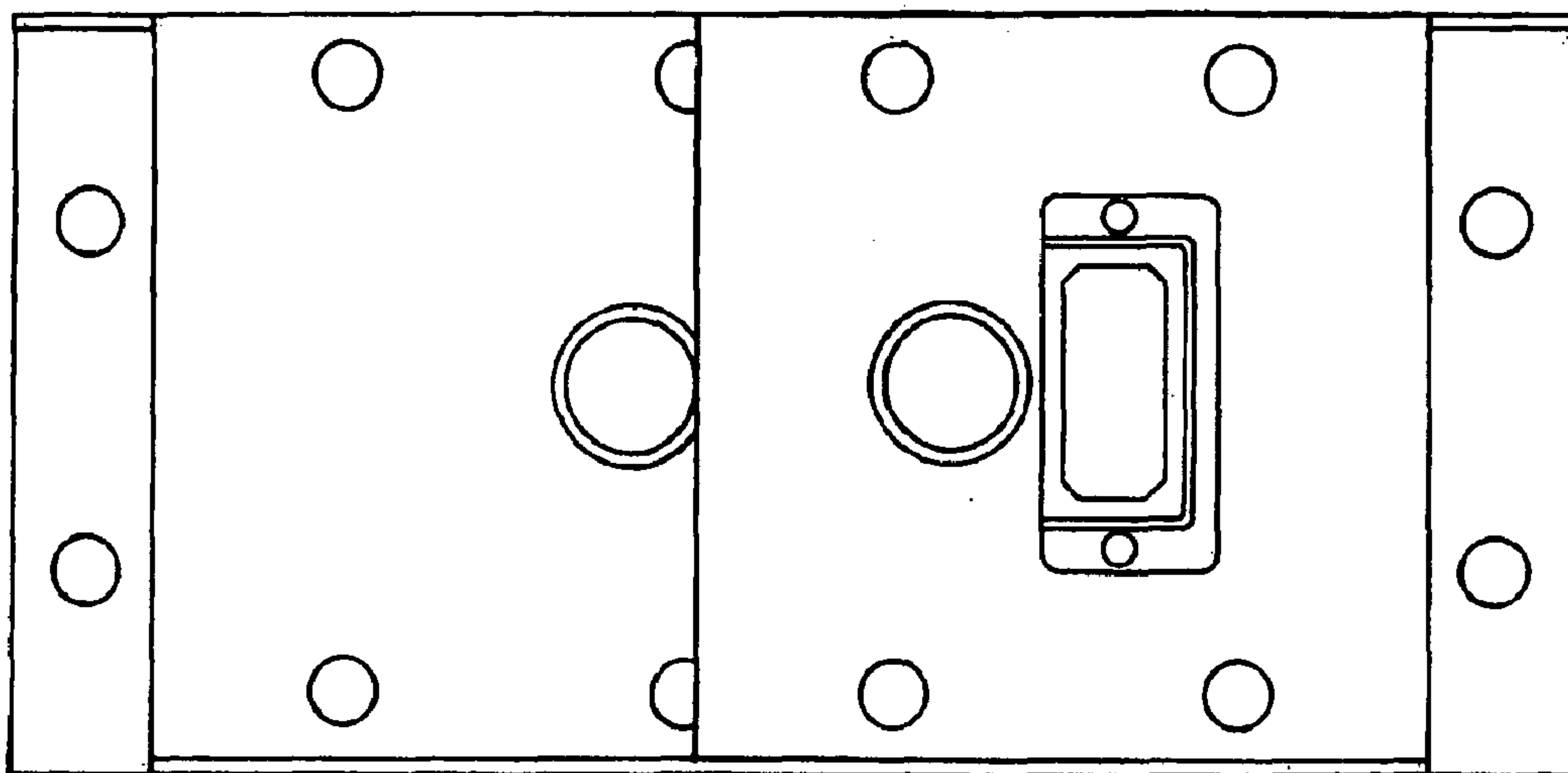


FIG. 14

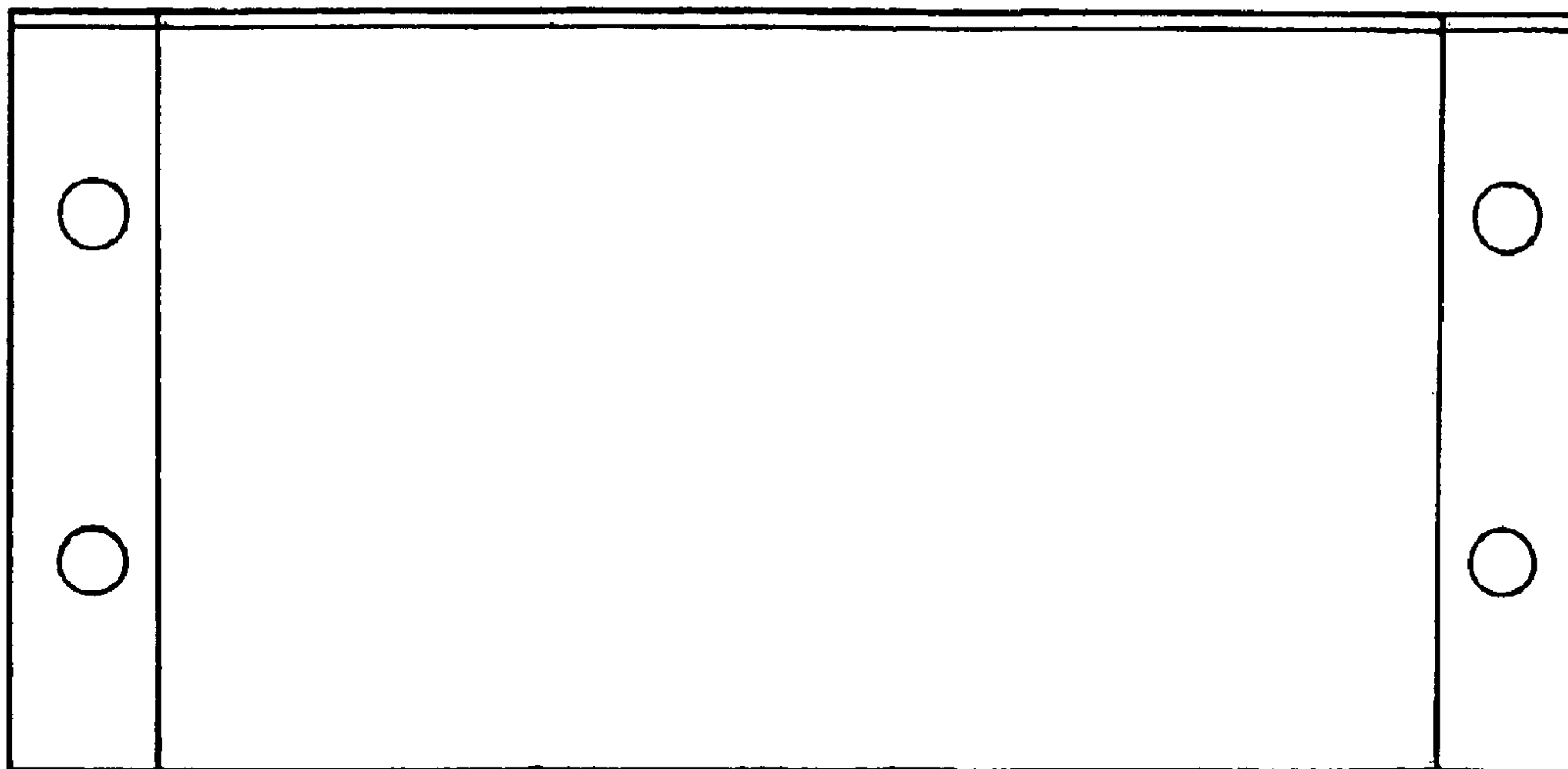


FIG. 15