

US00D504270S

(12) **United States Design Patent**
Lowenthal

(10) **Patent No.:** **US D504,270 S**
(45) **Date of Patent:** **** Apr. 26, 2005**

(54) **HEAD SUPPORT**

(75) Inventor: **Hans Lowenthal**, London (GB)

(73) Assignee: **Jacpaq Limited**, London (GB)

(**) Term: **14 Years**

(21) Appl. No.: **29/176,338**

(22) Filed: **Feb. 24, 2003**

(30) **Foreign Application Priority Data**

Sep. 2, 2002 (GB) 3006684

(51) **LOC (7) Cl.** **06-09**

(52) **U.S. Cl.** **D6/604; D6/601**

(58) **Field of Search** 224/584, 907,
224/153, 155; 297/129, 180.11, 188.2, 188.12,
195.1, 199, 219.1, 225, 228.1, 229, 452.41;
D6/595-598, 601, 604, 611; D24/183; 5/630,
632-633, 636-638, 640, 644, 652, 652.1,
653, 654, 655, 655.3, 655.4, 655.9, 656,
657.5, 907, 945

(56) **References Cited**

U.S. PATENT DOCUMENTS

D154,843 S * 8/1949 Glassman D14/262
D176,758 S * 1/1956 Edmonson D6/601

2,877,472 A * 3/1959 Wagner 5/636
D282,036 S * 1/1986 Ritchier et al. D6/601
D334,159 S * 3/1993 Mulligan D6/601
D335,418 S * 5/1993 Bowes et al. D6/595
D341,736 S * 11/1993 McDonald D6/601
D349,146 S * 7/1994 Mahler D6/601
D351,526 S * 10/1994 Tarquinio D6/604
D360,554 S * 7/1995 Righini D6/604
5,530,974 A * 7/1996 Rains et al. 5/81.1 T
D389,359 S * 1/1998 Nowak D6/601
2003/0226207 A1 * 12/2003 Lowenthal 5/644

* cited by examiner

Primary Examiner—Robert M. Spear

Assistant Examiner—T. Chase Nelson

(74) *Attorney, Agent, or Firm*—Dykema Gossett PLLC

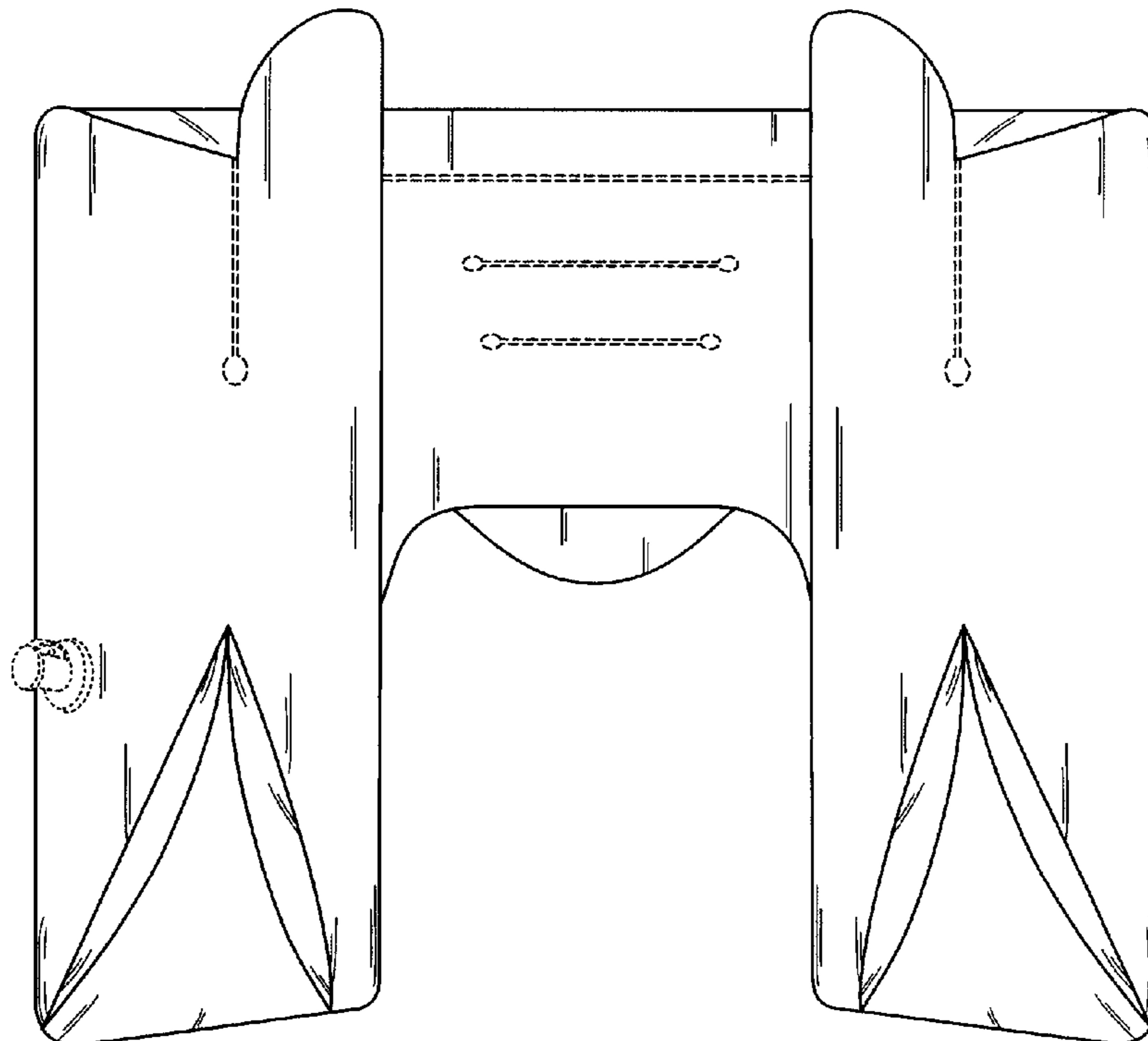
(57) **CLAIM**

The ornamental design for a head support, as shown and described.

DESCRIPTION

FIG. 1 is a top plan view;
FIG. 2 is a front view;
FIG. 3 is an bottom plan view;
FIG. 4 is a side view; and,
FIG. 5 is a view from the other side.

1 Claim, 2 Drawing Sheets



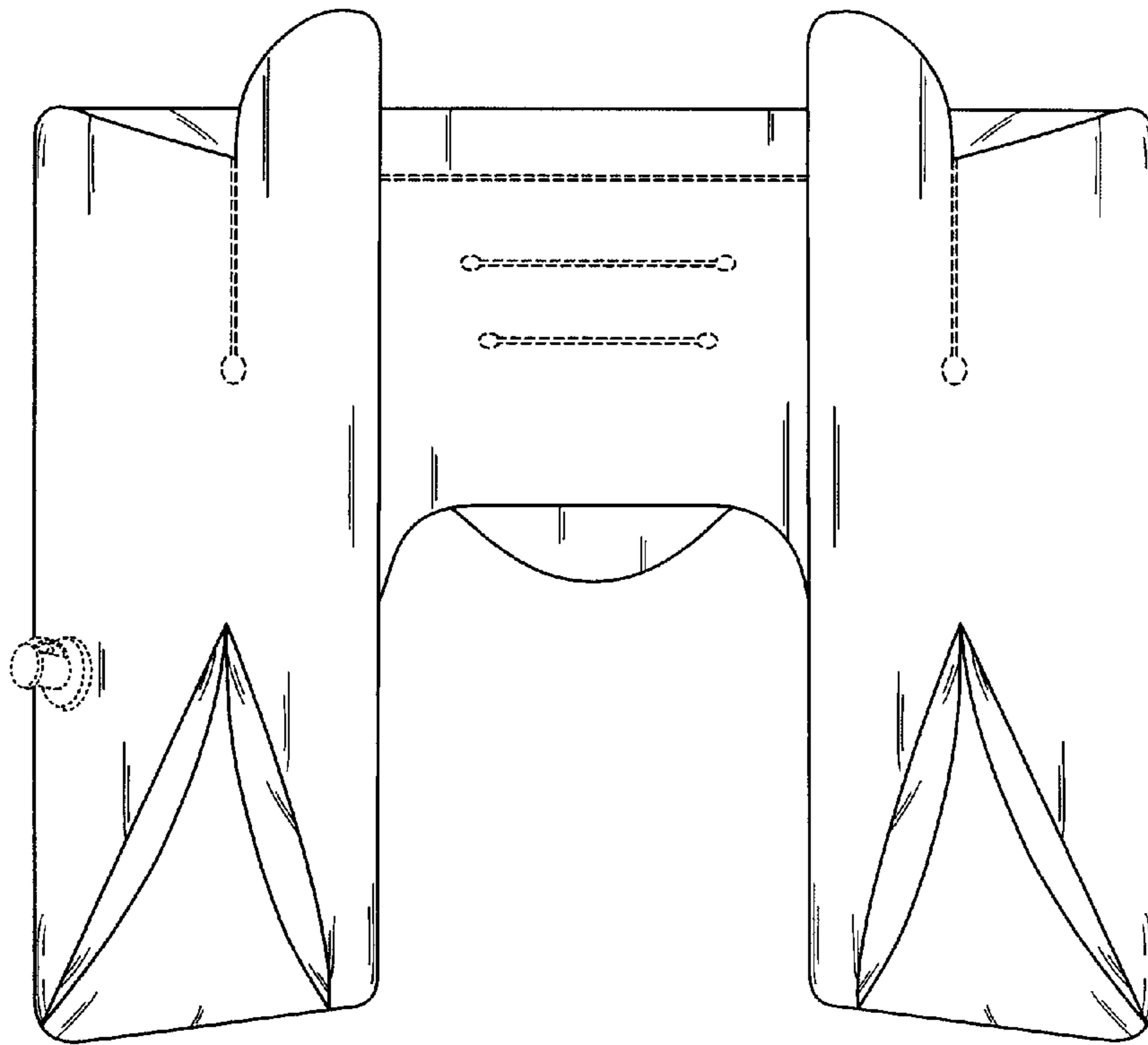


FIG. 1

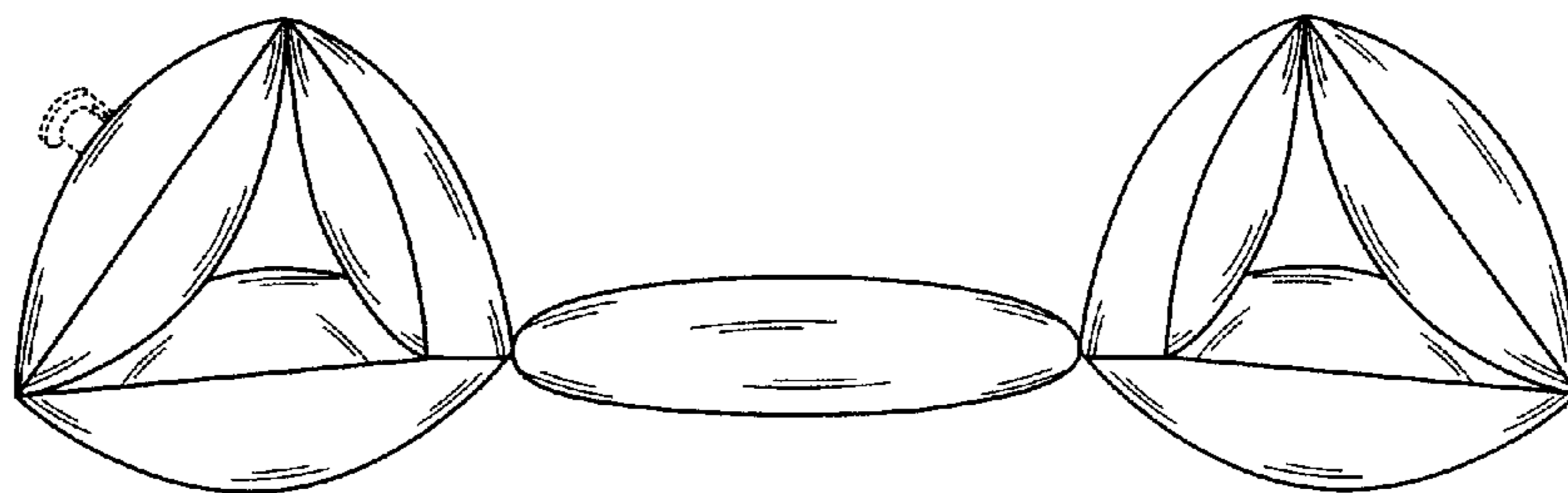


FIG. 2

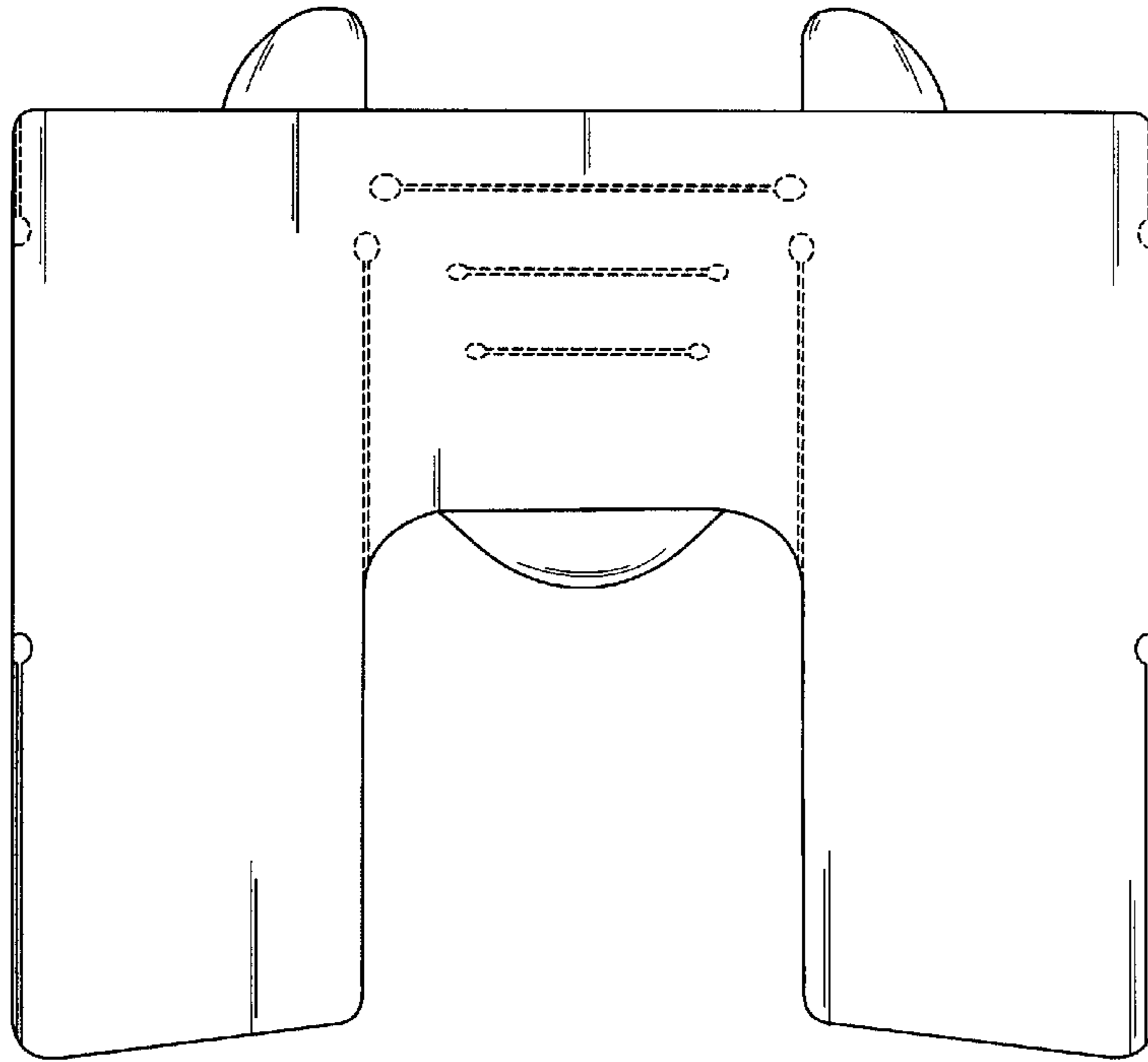


FIG. 3

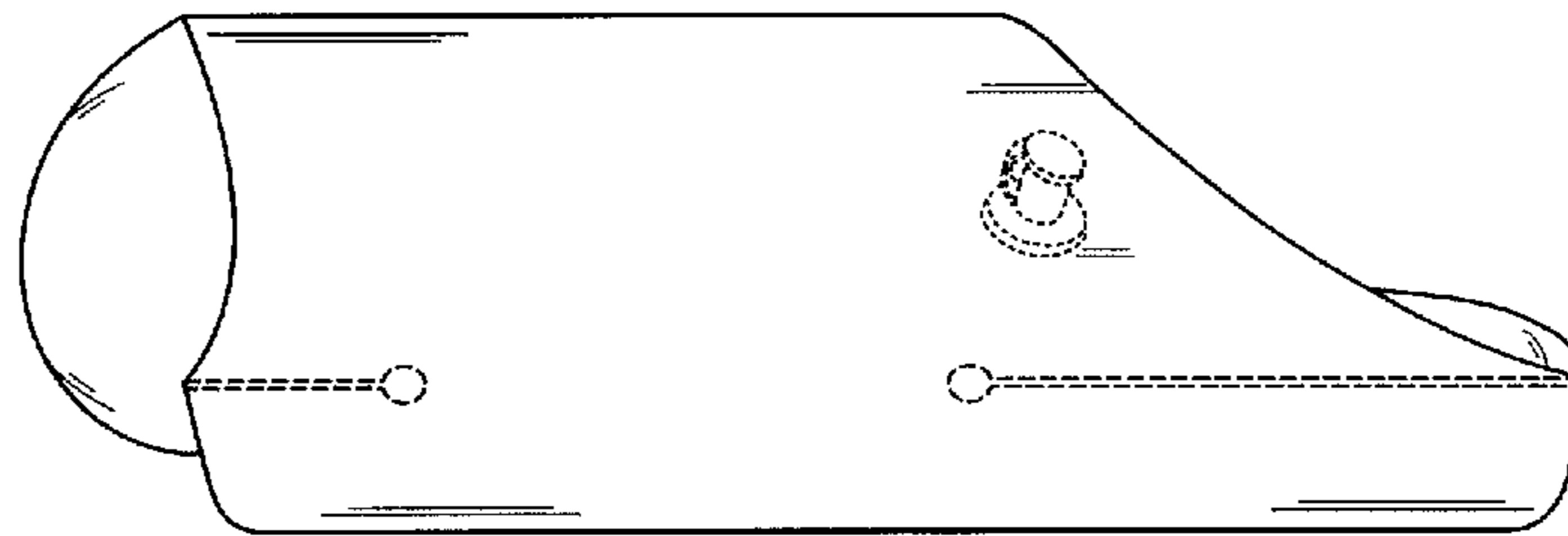


FIG. 4

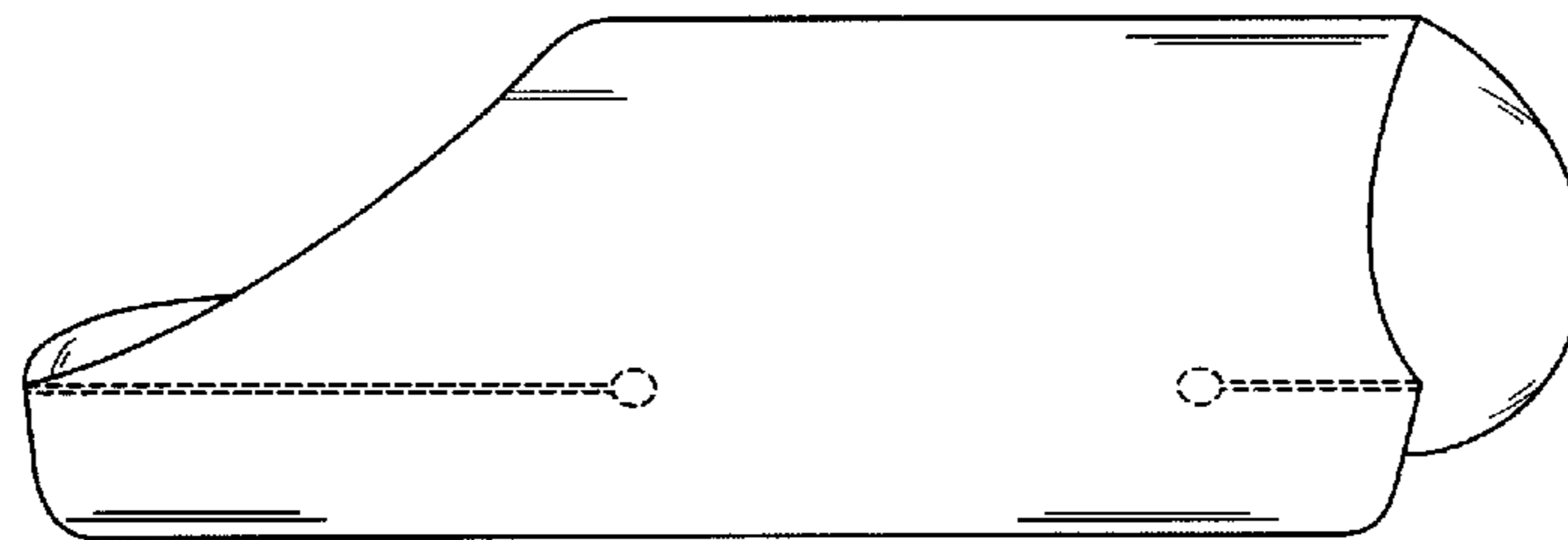


FIG. 5