

US00D504264S

(12) **United States Design Patent**
Galeazzi et al.

(10) **Patent No.:** **US D504,264 S**
(45) **Date of Patent:** **** Apr. 26, 2005**

- (54) **DIAPER CHANGING STATION**
- (75) Inventors: **Carlos Galeazzi**, Alta Loma, CA (US);
Randall Gallob, Whittier, CA (US)
- (73) Assignee: **Acorn Engineering Company**, City of Industry, CA (US)
- (**) Term: **14 Years**

- 2,384,112 A 9/1945 Meyer
- 2,429,455 A 10/1947 Dellon
- D150,917 S 9/1948 Berg
- 2,484,031 A 10/1949 Havrenius
- 2,520,486 A 8/1950 Zeigler et al.

(Continued)

- (21) Appl. No.: **29/194,805**
- (22) Filed: **Dec. 2, 2003**
- (51) **LOC (7) Cl.** **06-04**
- (52) **U.S. Cl.** **D6/555**
- (58) **Field of Search** D6/555, 553, 567,
D6/569, 574; 312/114, 126, 128-129, 204,
231, 234, 242, 245; 211/13.1, 14, 88.01,
126.1, 134

OTHER PUBLICATIONS

Acorn Engineering Company Brochure; Meridian—Solid Surface Washbasins; published prior to Jul. 31, 1999, p. 5.
Alape Brochure; Waschplatzgestaltung nach MaB—Programm N Naturstein; published prior to Jul. 31, 1999, 2 pgs.
Alape Brochure; Waschplatzgestaltung nach MaB—Programm V Vollkem; published prior to Jul. 31, 1999; 1 pg.
Acorn Engineering Company Brochure; Neo—Metro Collection; published prior to Jul. 31, 1999; p. 16.
Bradley Corporation Plumbing Fixtures Technical Data; 3—Station Image Lavatory System; 4 pgs.
Bradley Corporation Plumbing Fixtures Technical Data; 2—Station Image Lavatory System; 4 pgs.
Bradley Corporation Technological Data; Express Lavatory System; Model SS-3; 2 pgs.
Bradley Corporation Technological Data; Express Lavatory System; Model SS-2; 2 pgs.

(56) **References Cited**

U.S. PATENT DOCUMENTS

- 92,364 A 7/1869 Rider
- 271,516 A 1/1883 Reid
- 540,235 A 6/1895 Clifford et al.
- D24,881 S 11/1895 Nichols
- D27,064 S 5/1897 Scott
- D30,135 S 2/1899 Peet
- D32,887 S 6/1900 Wells
- D33,308 S 10/1900 Hornbostel
- D35,008 S 8/1901 Clow
- D36,595 S 10/1903 Peet
- D37,305 S 1/1905 Podmore
- 805,118 A 11/1905 Chamberlain
- D38,247 S 9/1906 Gavin
- 834,983 A 11/1906 James
- 937,509 A 10/1909 Carpenter
- 951,597 A 3/1910 Conradt
- D41,842 S 10/1911 Gavin
- D45,284 S 2/1914 Alpaugh
- 1,116,913 A 11/1914 Peregoy
- D50,186 S 1/1917 Faerber
- 1,226,879 A 5/1917 Hamm et al.
- 1,323,398 A 12/1919 Leland
- D78,500 S 5/1929 Barton

Primary Examiner—Brian N Vinson
(74) *Attorney, Agent, or Firm*—Michael Best & Friedrich LLP

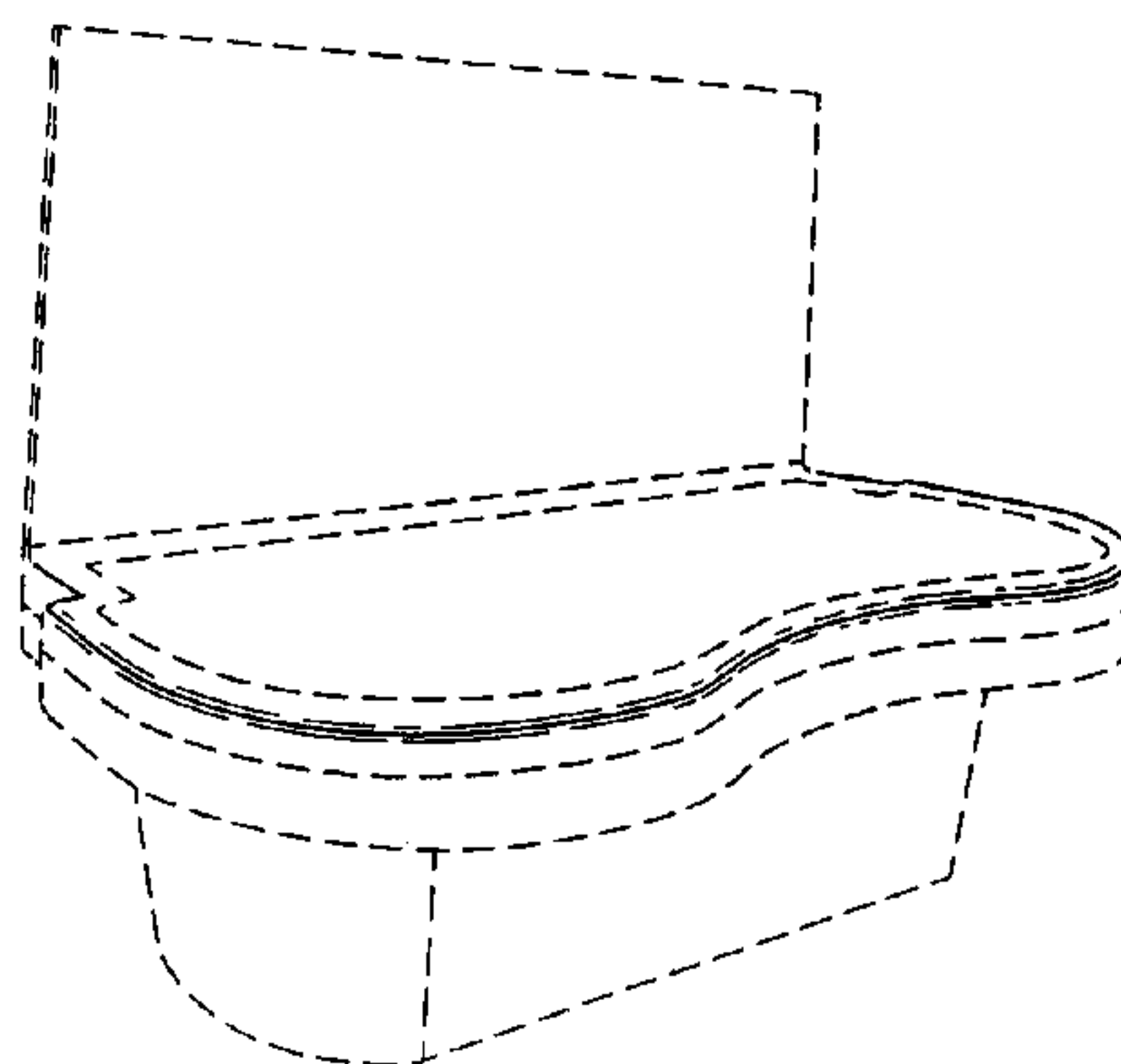
(57) **CLAIM**

The ornamental design for a diaper changing station, as shown and described.

DESCRIPTION

FIG. 1 is a perspective view of a diaper changing station showing our new design;
FIG. 2 is a top plan view thereof; and,
FIG. 3 is a left side elevational view thereof, the right side being a mirror image of that shown.
Portions of the article shown in broken lines are for illustrative purposes only and form no part of the claimed design.

1 Claim, 2 Drawing Sheets



US D504,264 S

Page 2

U.S. PATENT DOCUMENTS

2,588,464 A	3/1952	Bargman	
2,593,734 A	4/1952	Davis	
2,599,529 A	6/1952	Harvey	
3,018,490 A	1/1962	Eichorst	
3,069,694 A	12/1962	McCormack	
3,129,436 A	4/1964	Mustee	
D202,096 S	8/1965	Parks	
3,333,282 A	8/1967	Mustee	
3,605,456 A	9/1971	Klimboff et al.	
D231,930 S	6/1974	Danks	
3,994,031 A	11/1976	Bishop	
D258,610 S	3/1981	Tulipani	
D260,678 S	9/1981	Hiller	
D265,923 S	8/1982	Cuttriss	
4,597,404 A	7/1986	Van Marcke	
4,858,254 A	8/1989	Popovich et al.	
D312,123 S	11/1990	Enthoven	
4,998,306 A	3/1991	Klimke et al.	
D319,691 S	9/1991	Yvetot	
D325,247 S	4/1992	Stainton	
D326,384 S	* 5/1992	Burt et al.	D6/555
D332,197 S	* 1/1993	Chase	D6/555
5,369,818 A	12/1994	Barnum et al.	
D355,950 S	2/1995	Kawamura et al.	
5,408,707 A	4/1995	Wilson	
D360,935 S	8/1995	Hohenthauer	
5,444,879 A	8/1995	Holtznider	
D371,190 S	6/1996	Kaiser	
D374,068 S	9/1996	Segenschmid	
5,611,093 A	3/1997	Barnum et al.	
D382,432 S	* 8/1997	Perelli	D6/555
D382,945 S	8/1997	Hansen et al.	
D386,569 S	11/1997	Trueb et al.	
D394,308 S	5/1998	Bertoli	
D397,893 S	* 9/1998	Helmsderfer	D6/555
D398,969 S	9/1998	Barnum et al.	
D400,237 S	10/1998	Millard et al.	
D400,656 S	11/1998	Van Marcke	
D400,980 S	11/1998	Schroer	
D401,677 S	11/1998	Garza	
D408,190 S	* 4/1999	Helmsderfer et al.	D6/555
5,898,957 A	5/1999	Hansen et al.	
D411,876 S	7/1999	Hafner et al.	
D412,634 S	* 8/1999	Helmsderfer et al.	D6/555
D416,155 S	* 11/1999	Helmsderfer et al.	D6/555
D422,441 S	* 4/2000	Perelli	D6/555
D428,476 S	7/2000	Abolafia	
6,112,930 A	9/2000	McAtarian	
D434,124 S	11/2000	McKeone	
D455,200 S	4/2002	Marshall	
D459,131 S	* 6/2002	Zazenski	D6/555
D462,113 S	8/2002	Marshall et al.	
D470,578 S	2/2003	Boeltl	
D470,927 S	2/2003	Molinario	
D472,966 S	4/2003	Molinario	

* cited by examiner

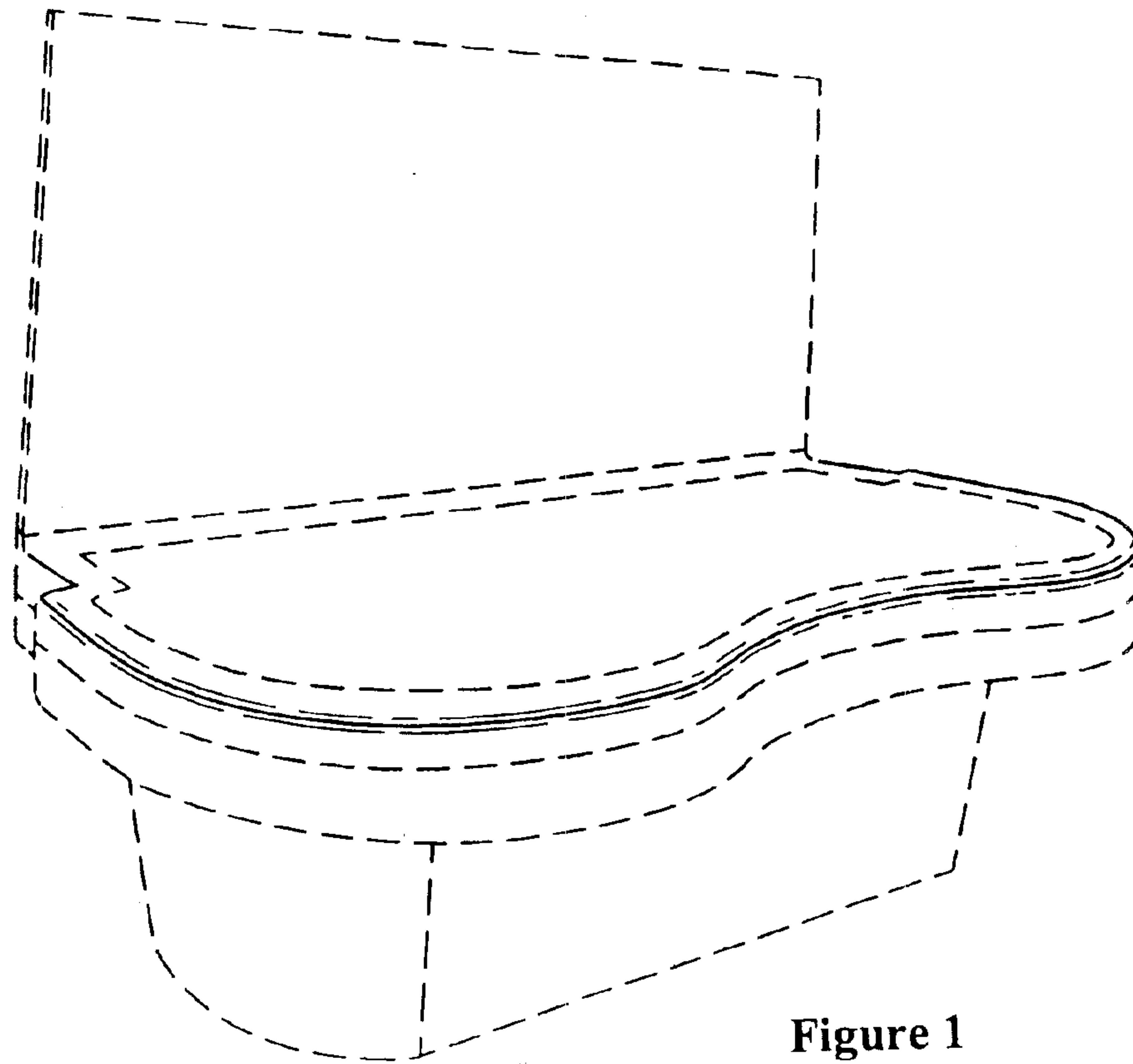


Figure 1

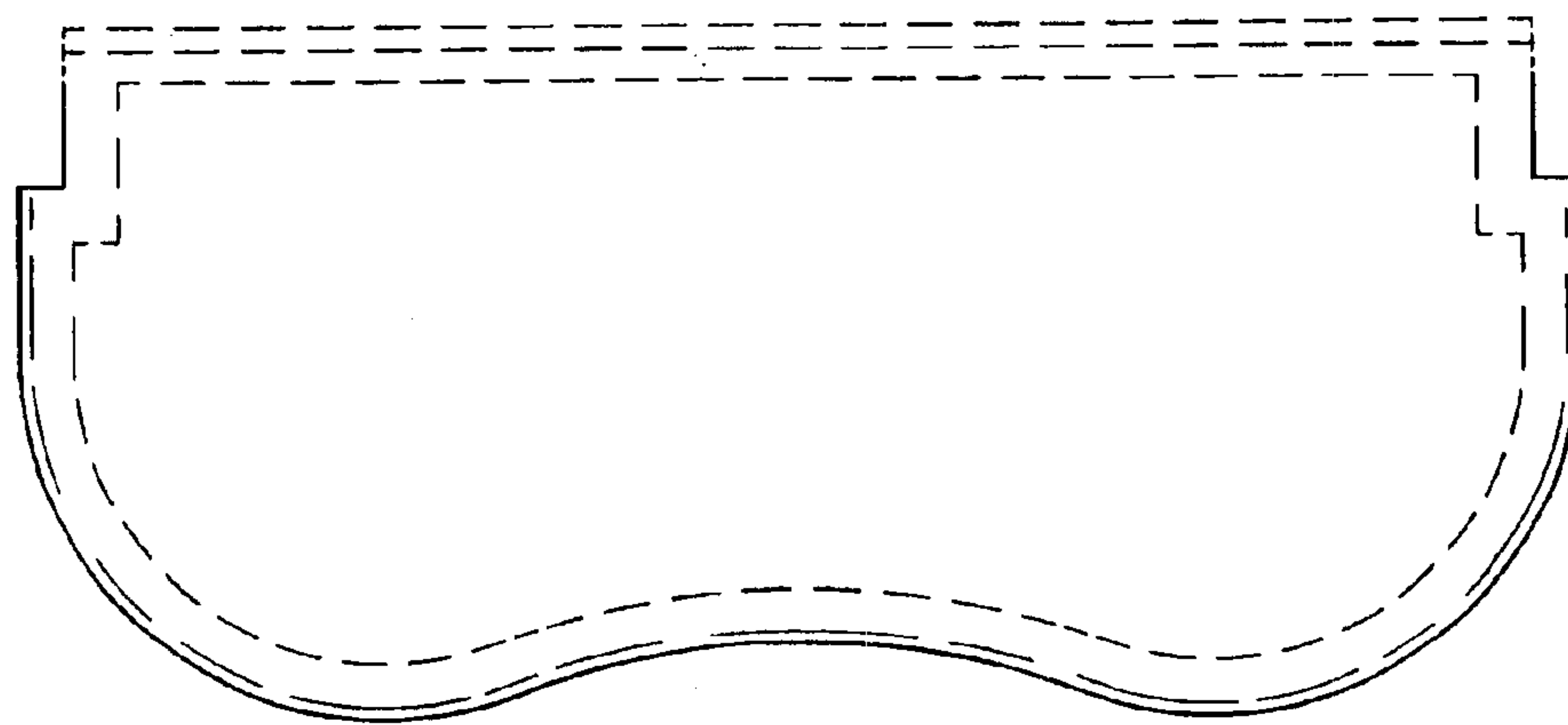


Figure 2

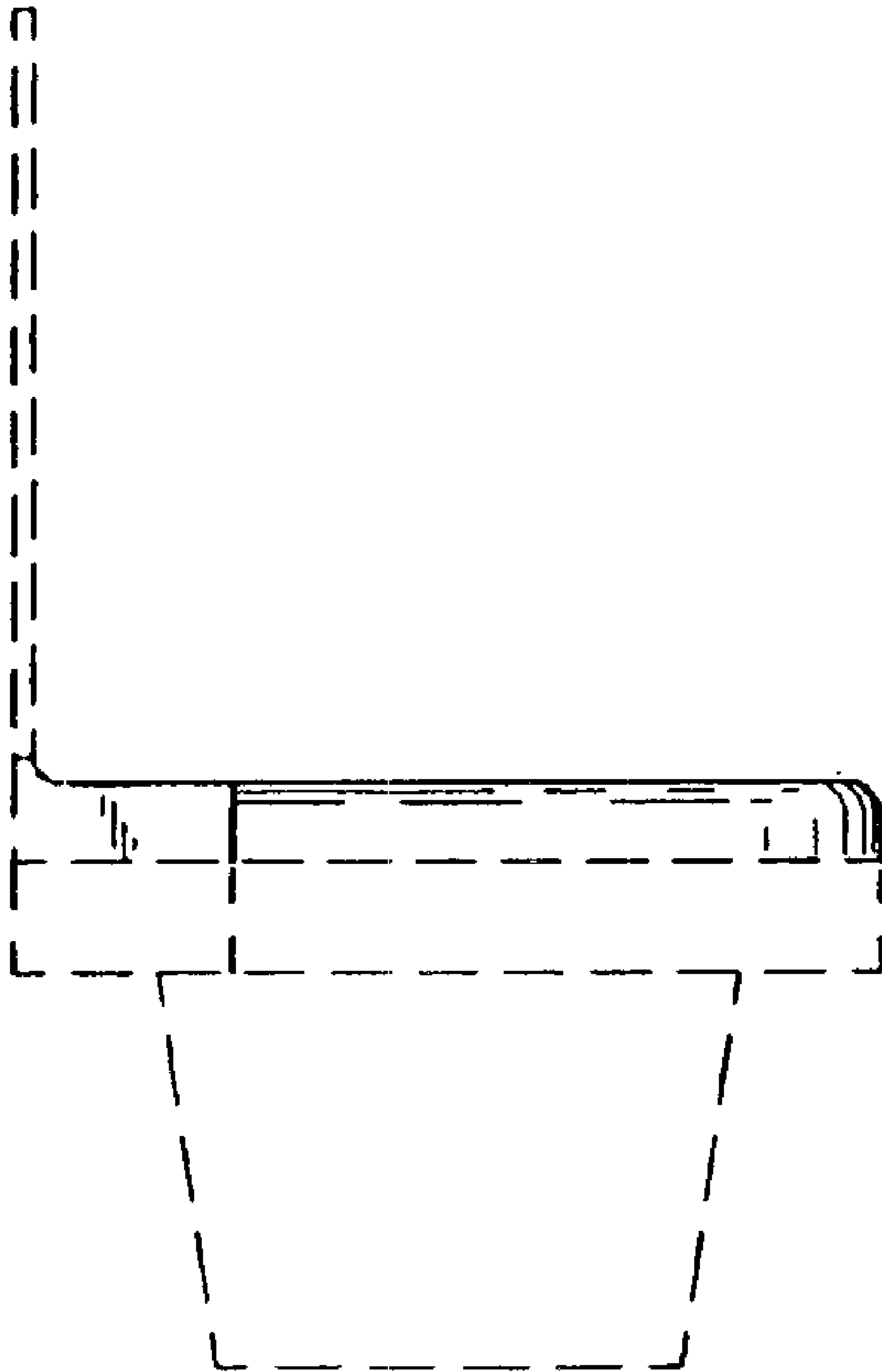


Figure 3