



US00D504263S

(12) **United States Design Patent**
Kennard

(10) **Patent No.:** **US D504,263 S**

(45) **Date of Patent:** **** Apr. 26, 2005**

(54) **BATH ACCESSORY BASE**

(75) Inventor: **Dan Kennard**, Norcross, GA (US)

(73) Assignee: **Fusion Hardware Group, Inc.**,
Norcross, GA (US)

(**) Term: **14 Years**

(21) Appl. No.: **29/206,758**

(22) Filed: **Jun. 4, 2004**

(51) **LOC (7) Cl.** **23-02**

(52) **U.S. Cl.** **D6/550**

(58) **Field of Search** D6/546-550, 518-519,
D6/522-524; D8/300, 303, 315-321; 108/28-29;
211/13.1, 16, 60.1, 86.01, 87.01, 88.01,
88.04, 100, 105.1-105.2, 123, 181.1, 182;
248/175, 176.1, 251, 302; 16/110.1, 412,
415; 242/570, 590, 595-598

(56) **References Cited**

U.S. PATENT DOCUMENTS

D334,315 S * 3/1993 Bengtson D6/524
D441,239 S * 5/2001 Moore D6/546
D455,926 S * 4/2002 Ou-Young D6/546

OTHER PUBLICATIONS

Paul Associates Catalogue p. 29 item # 3311 bottom left
corner of page.*

Baldwin Bath Epic Accessories Catalogue p. p “New York”
towel bar, top of page.*

* cited by examiner

Primary Examiner—Brian N Vinson

(74) *Attorney, Agent, or Firm*—Troxell Law Office PLLC

(57) **CLAIM**

The ornamental design for bath accessory base, as show and
described.

DESCRIPTION

FIG. 1 is a top, front, and left side perspective view of a bath
accessory base showing my new design;

FIG. 2 is a left side elevational view thereof;

FIG. 3 is a right side elevational view thereof;

FIG. 4 is a rear elevational view thereof,

FIG. 5 is a front elevational view thereof;

FIG. 6 is a top plan view thereof;

FIG. 7 is a bottom plan view thereof;

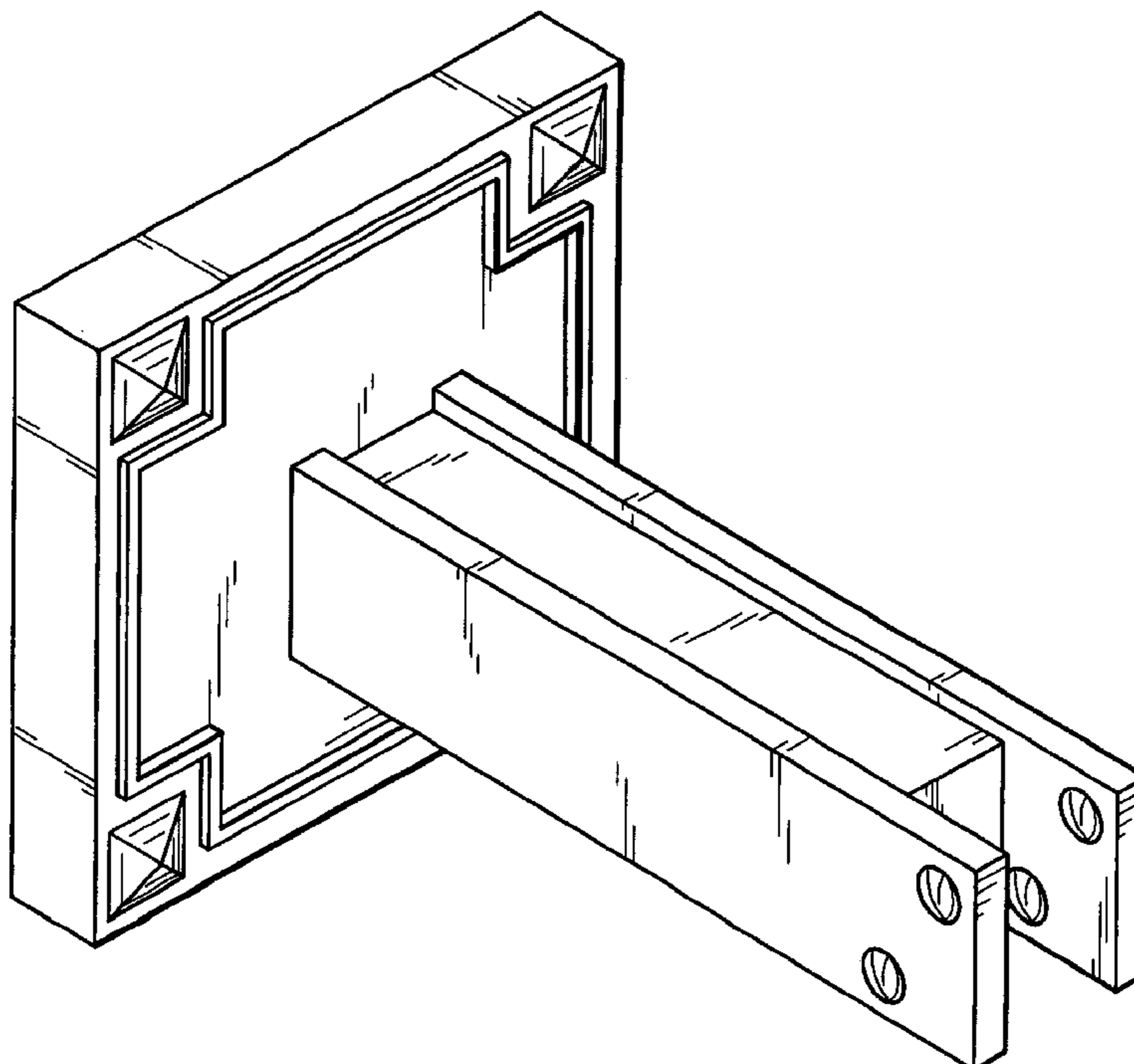
FIG. 8 is a top, front, and left side perspective view thereof,
showing a broken-line representation of an alternative
mounting environment;

FIG. 9 is a reduced top, front, and left side perspective view
thereof, showing a broken-line representation of another
alternative mounting environment;

FIG. 10 is a reduced top, front, and left side perspective view
thereof, showing a broken-line representation of another
alternative mounting environment; and,

FIG. 11 is a reduced top, front, and left side perspective view
of a second embodiment of a bath accessory base thereof.
The broken-line disclosure in the views is for illustrative
purposes only and forms no part of the claimed design.

1 Claim, 8 Drawing Sheets



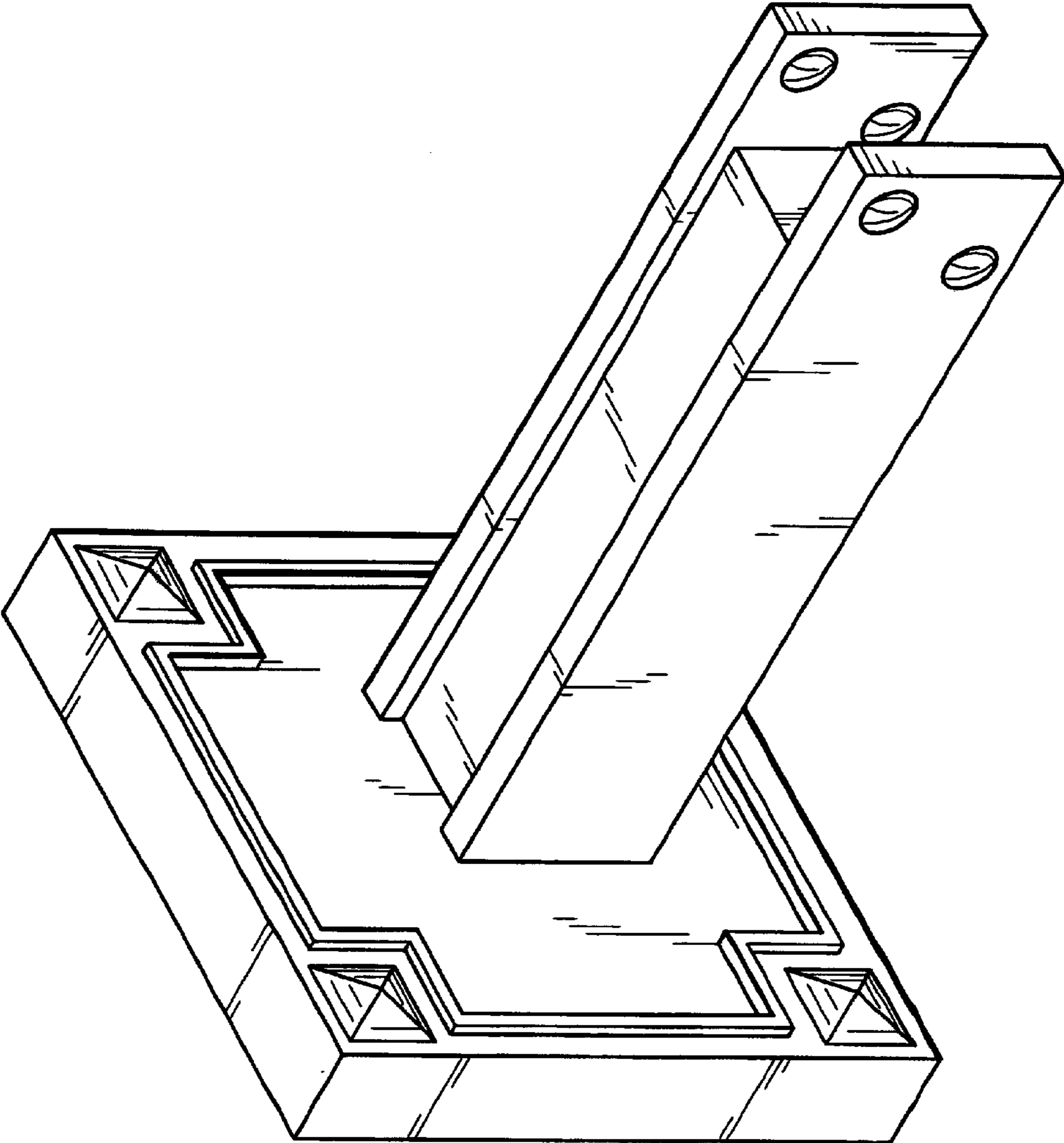


FIG. 1

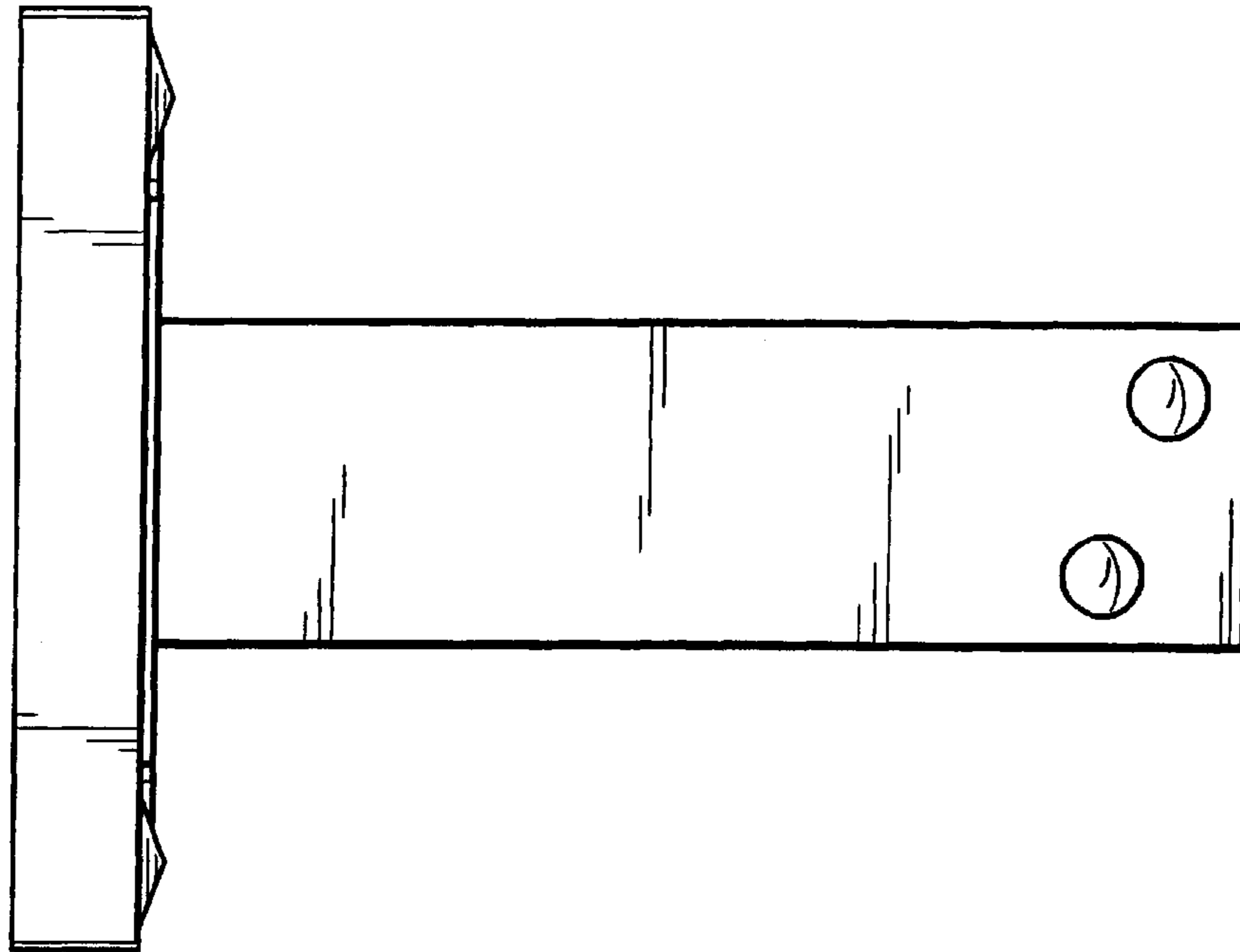


FIG. 2

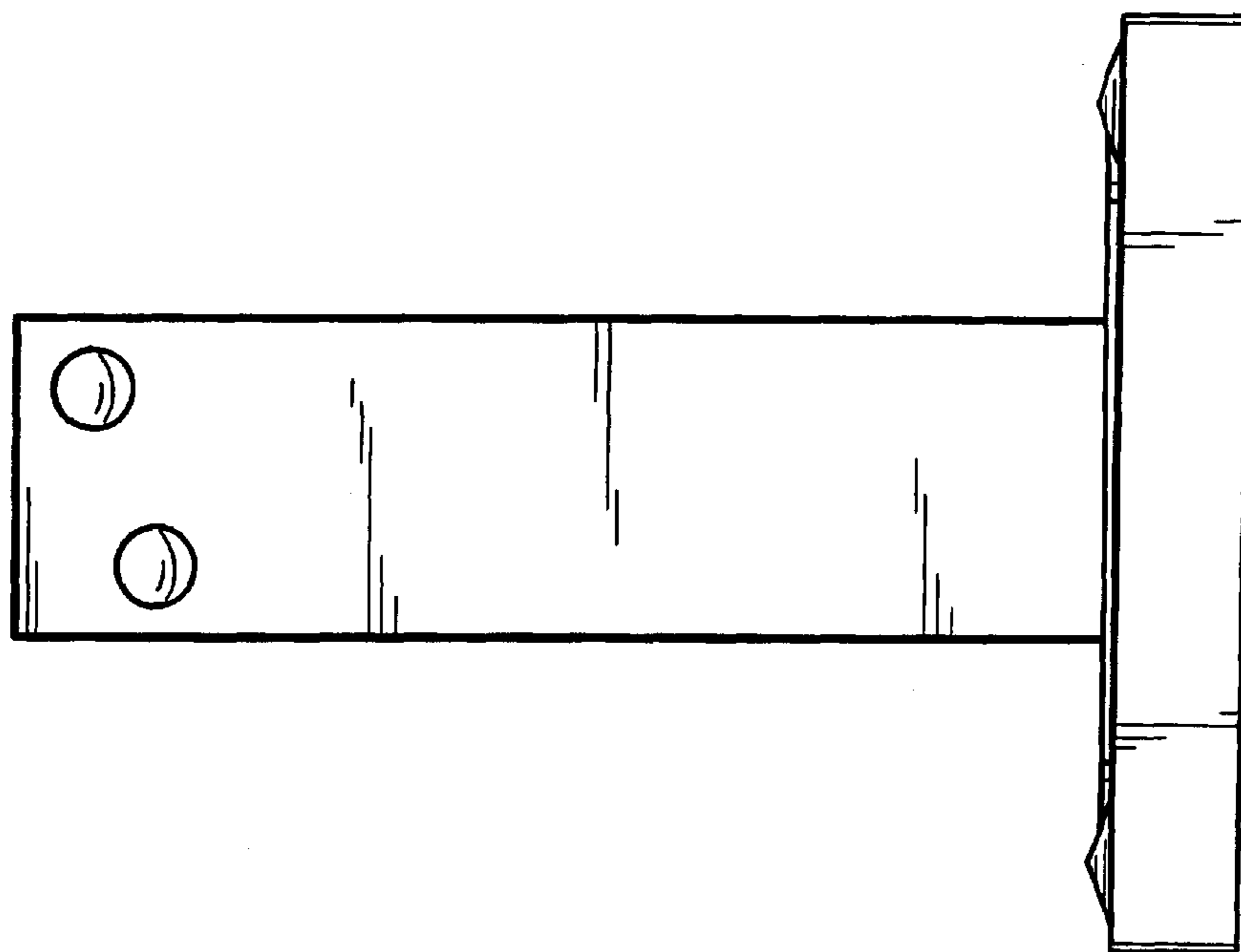


FIG. 3

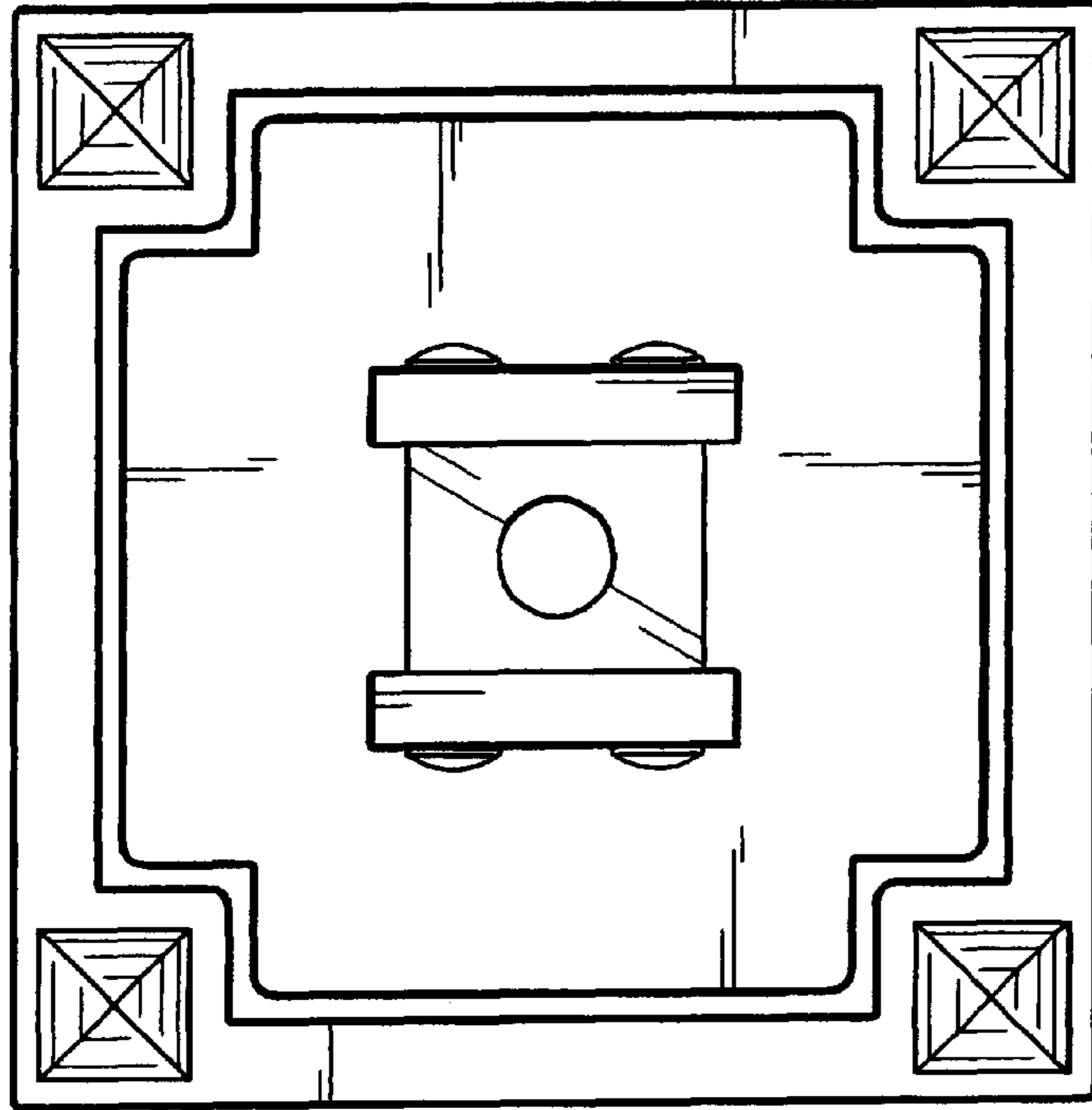


FIG. 5

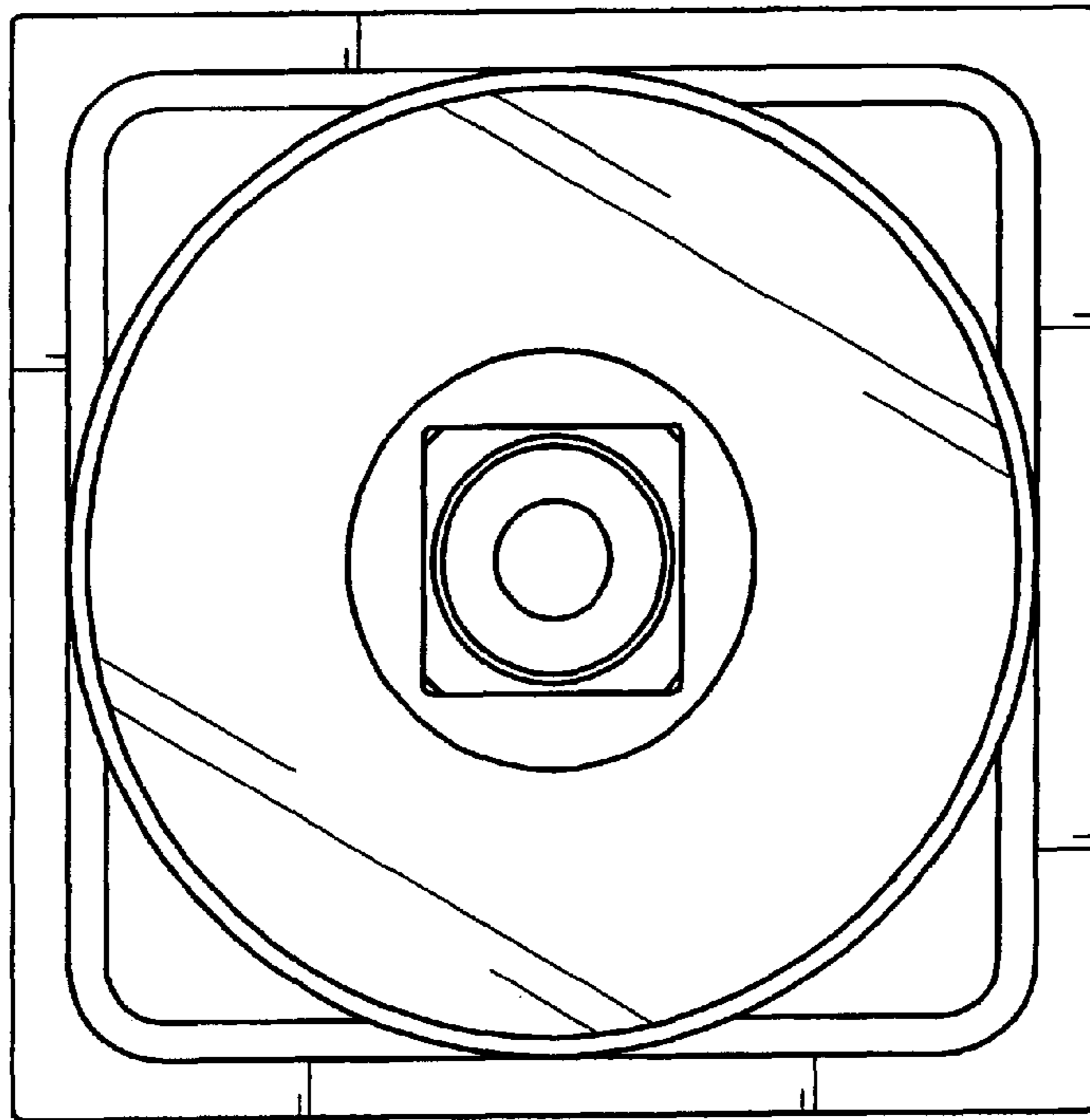


FIG. 4

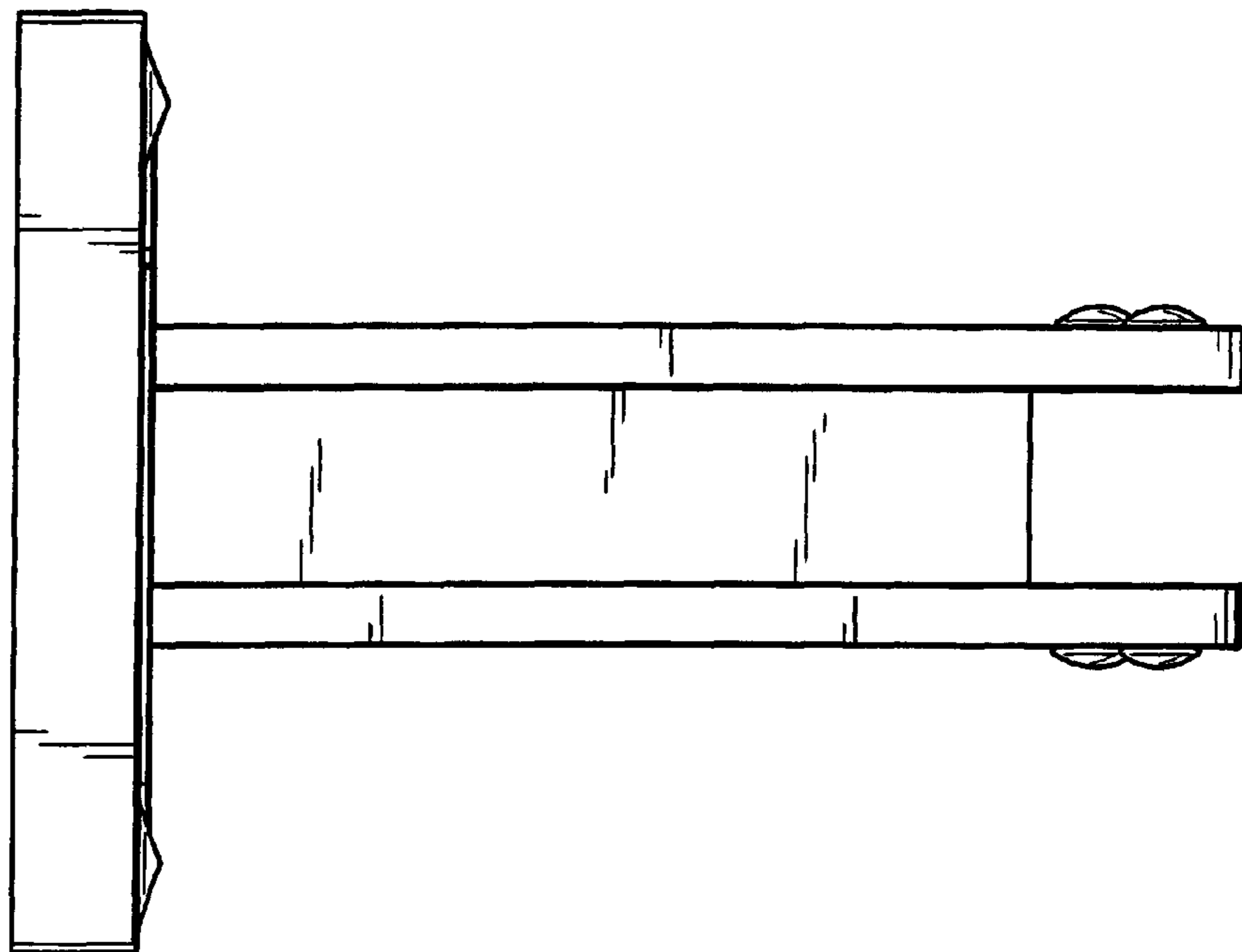


FIG. 6

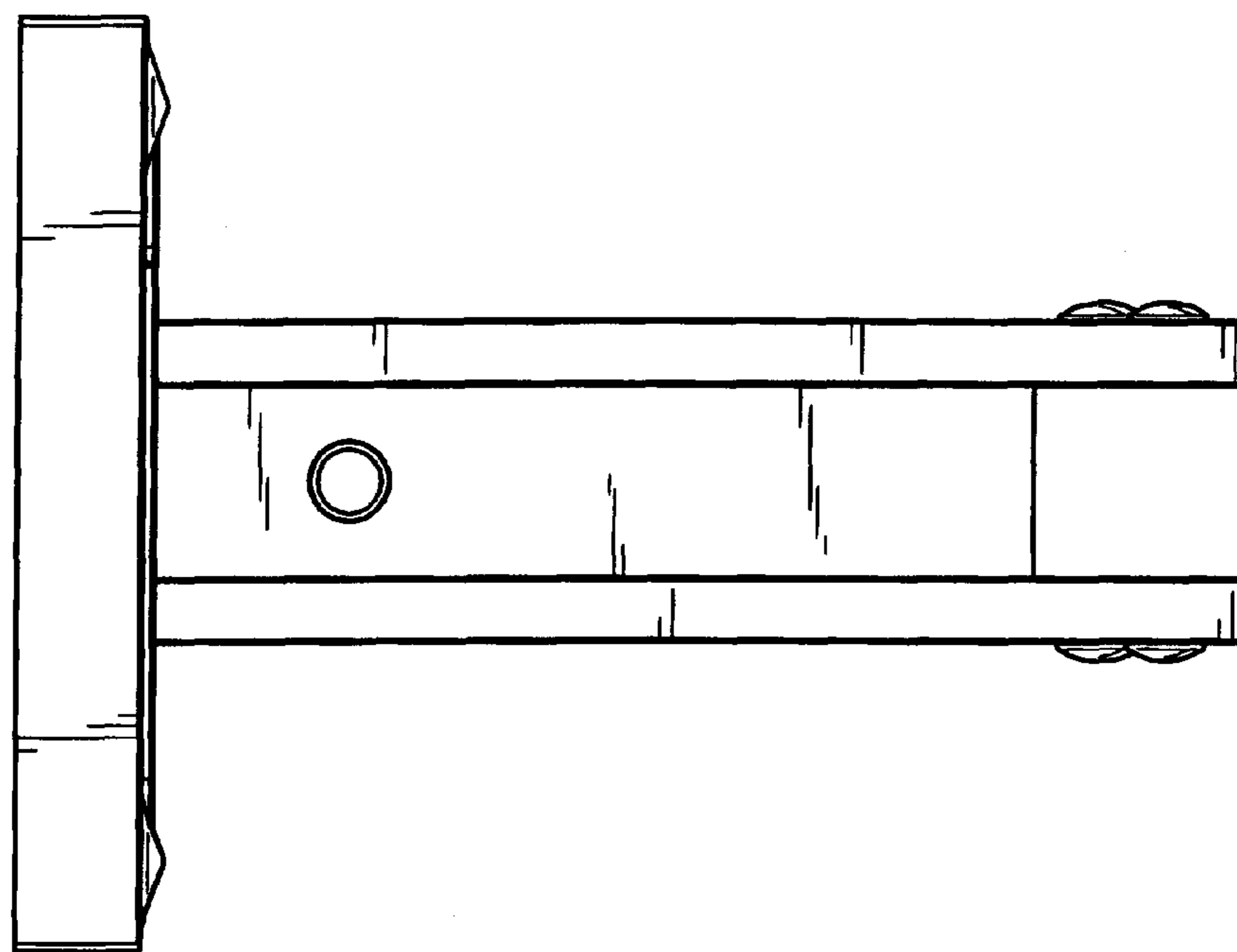


FIG. 7

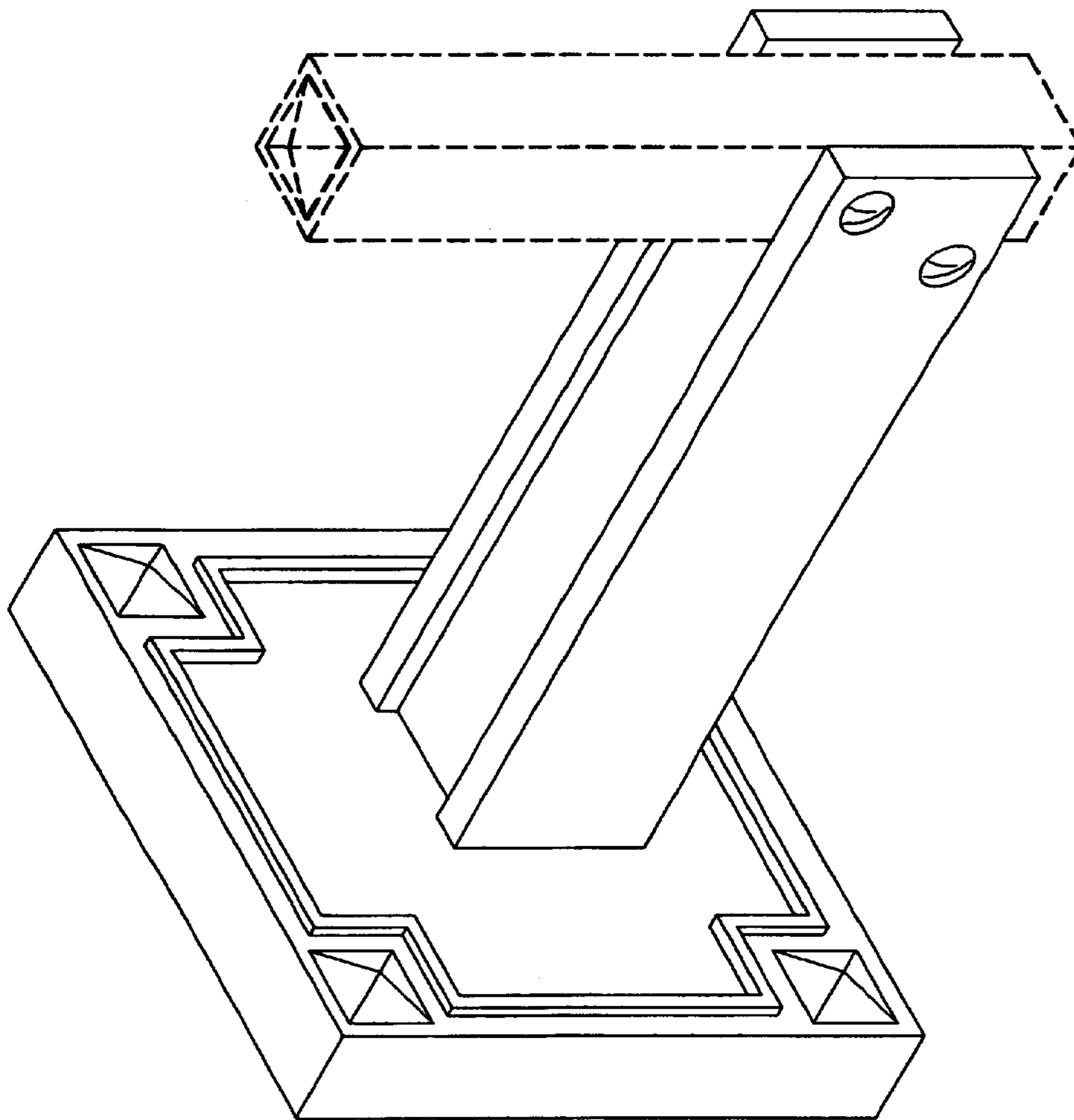


FIG. 8

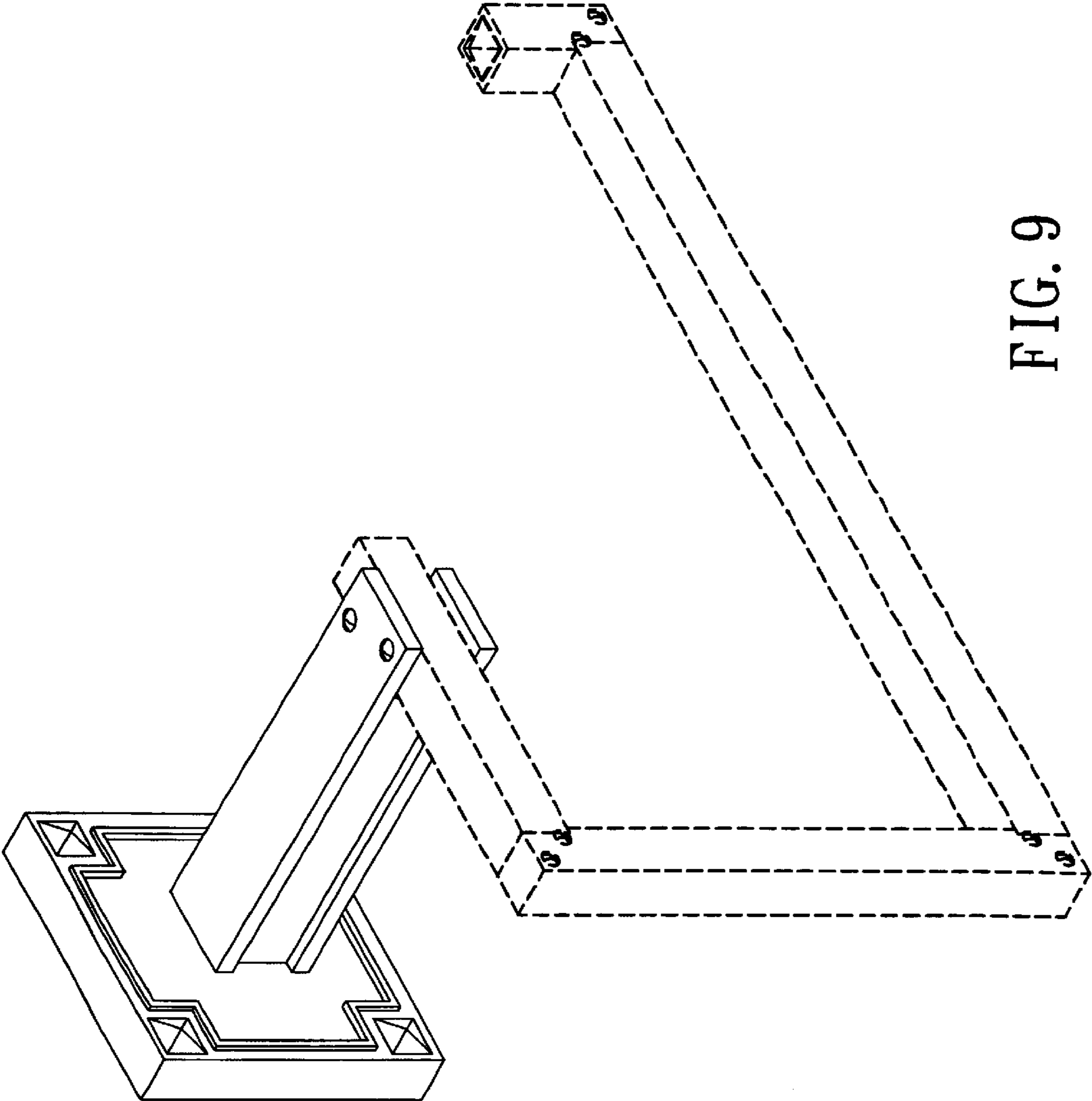


FIG. 9

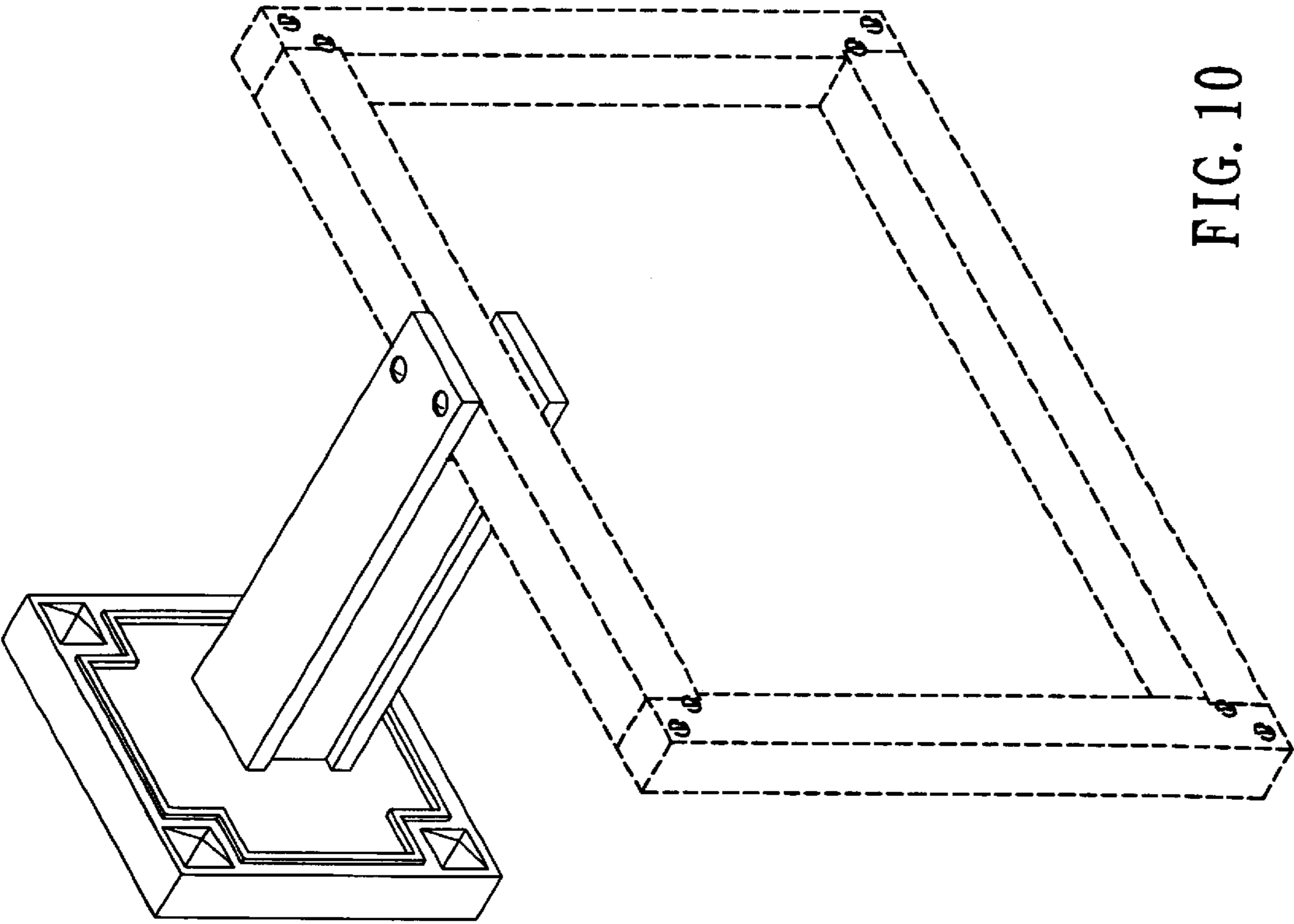


FIG. 10

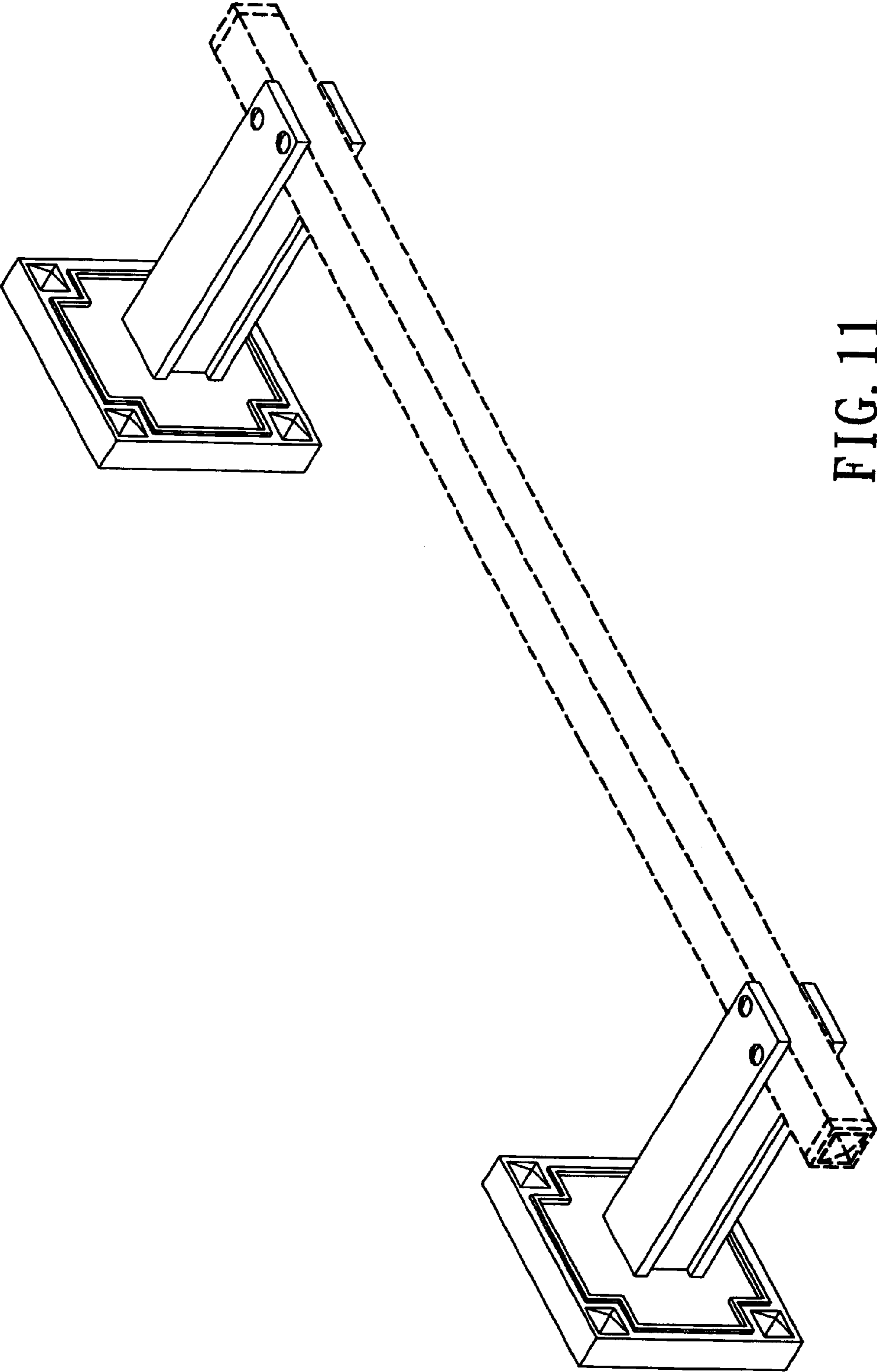


FIG. 11