

US00D504262S

(12) **United States Design Patent**  
**Lee**

(10) **Patent No.: US D504,262 S**  
(45) **Date of Patent: \*\* Apr. 26, 2005**

(54) **SOAP DISH**

(76) **Inventor: John Su Lee**, 12006 Bingham St.,  
Cerritos, CA (US) 90703

(\*\*) **Term: 14 Years**

(21) **Appl. No.: 29/212,356**

(22) **Filed: Sep. 1, 2004**

(51) **LOC (7) Cl. .... 23-02**

(52) **U.S. Cl. .... D6/536**

(58) **Field of Search .... D6/536-540; D3/304;**  
206/77.1; 211/13.1, 85.12

(56) **References Cited**

**U.S. PATENT DOCUMENTS**

4,501,355	A	*	2/1985	Hoffman	.....	206/77.1
D285,996	S	*	10/1986	Bussell	.....	D6/536
D337,682	S	*	7/1993	Crook et al.	.....	D6/536
D356,914	S	*	4/1995	Cecula	.....	D6/536
D358,517	S	*	5/1995	Sharpe	.....	D6/536

D413,219	S	*	8/1999	Glenton Kerr	.....	D6/536
D417,574	S	*	12/1999	Ludwig	.....	D6/536
D440,441	S	*	4/2001	Gottwald	.....	D6/540
D446,980	S	*	8/2001	Lillelund et al.	.....	D6/536
D467,399	S	*	12/2002	Joseph	.....	D32/56
D478,232	S	*	8/2003	Dretzka	.....	D6/536
D498,103	S	*	11/2004	Dretzka	.....	D6/536

\* cited by examiner

*Primary Examiner*—Brian N Vinson

(57) **CLAIM**

The ornamental design for a soap dish, as shown.

**DESCRIPTION**

FIG. 1 is a bottom plan view of a soap dish showing my new design;

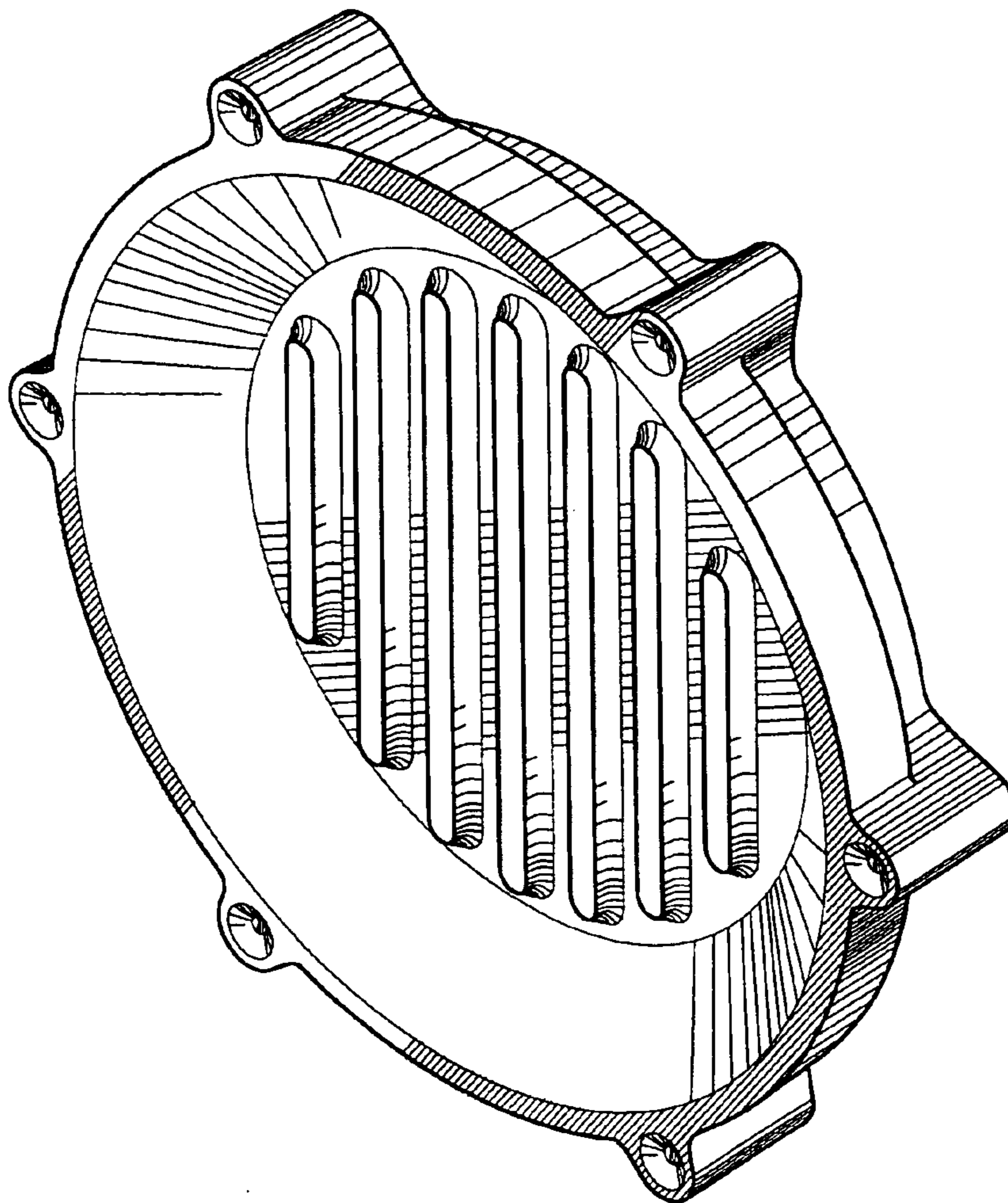
FIG. 2 is a top plan view thereof;

FIG. 3 is a left side plan view thereof;

FIG. 4 is a front elevational view thereof; and,

FIG. 5 is a bottom elevational view thereof.

**1 Claim, 3 Drawing Sheets**



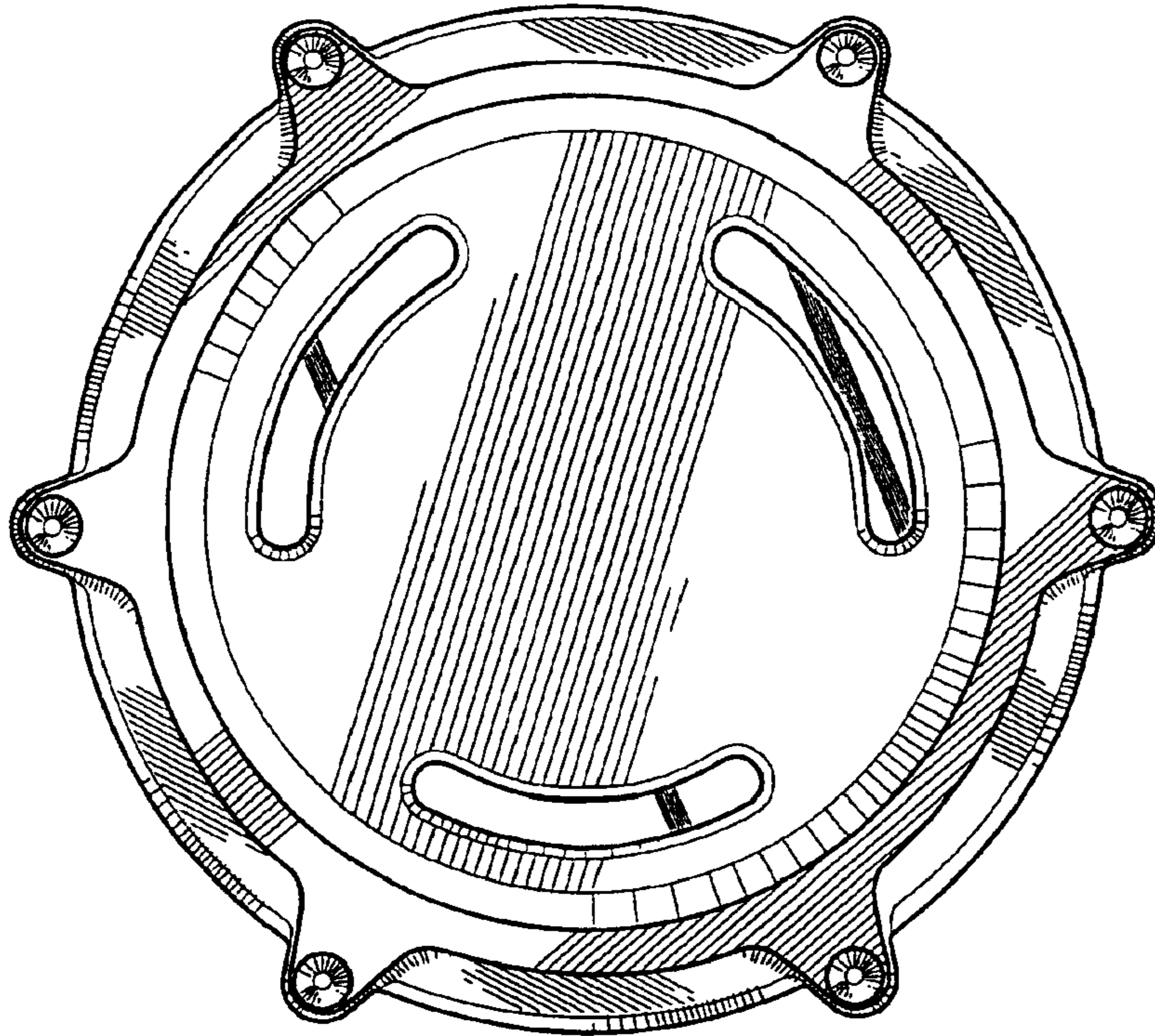


Figure 1

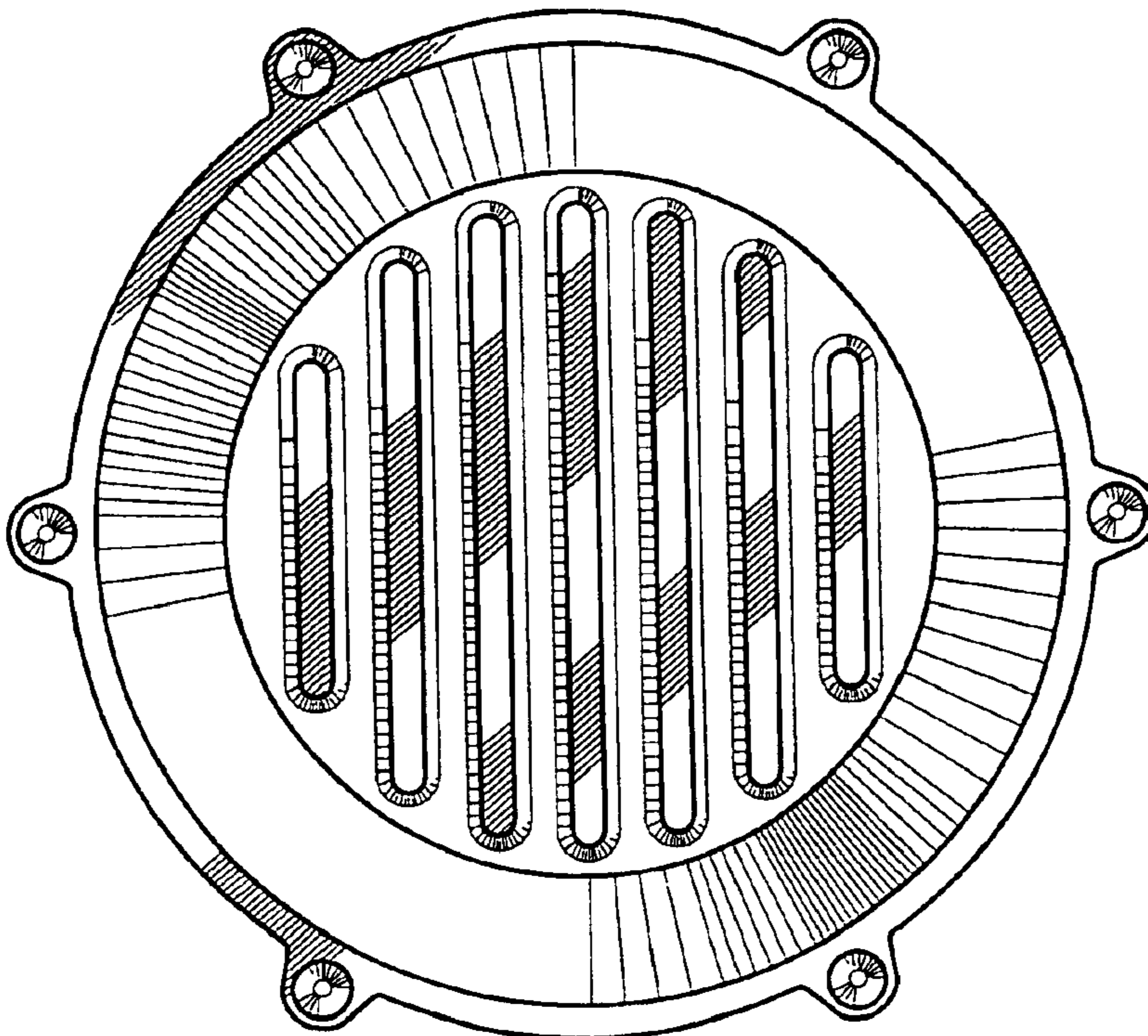


Figure 2



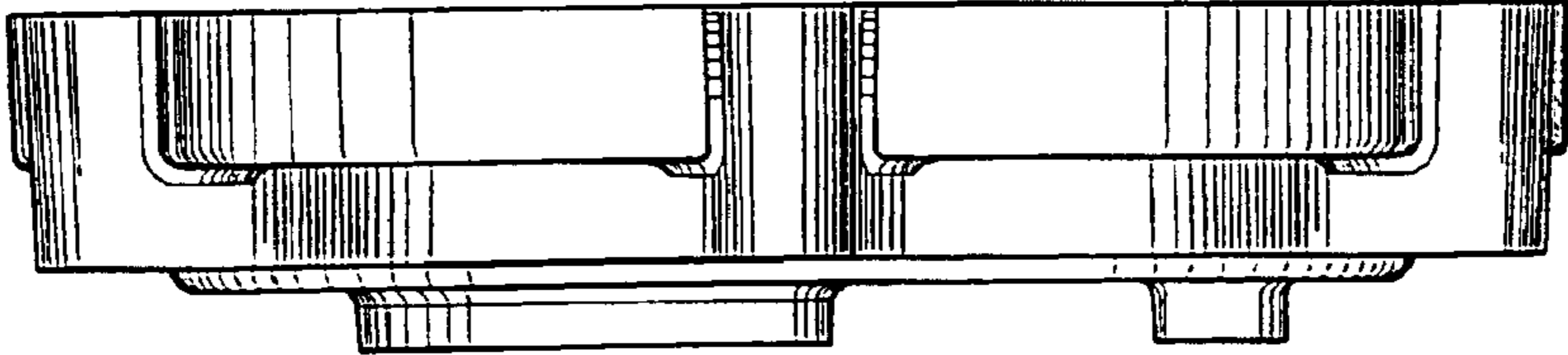


Figure 3

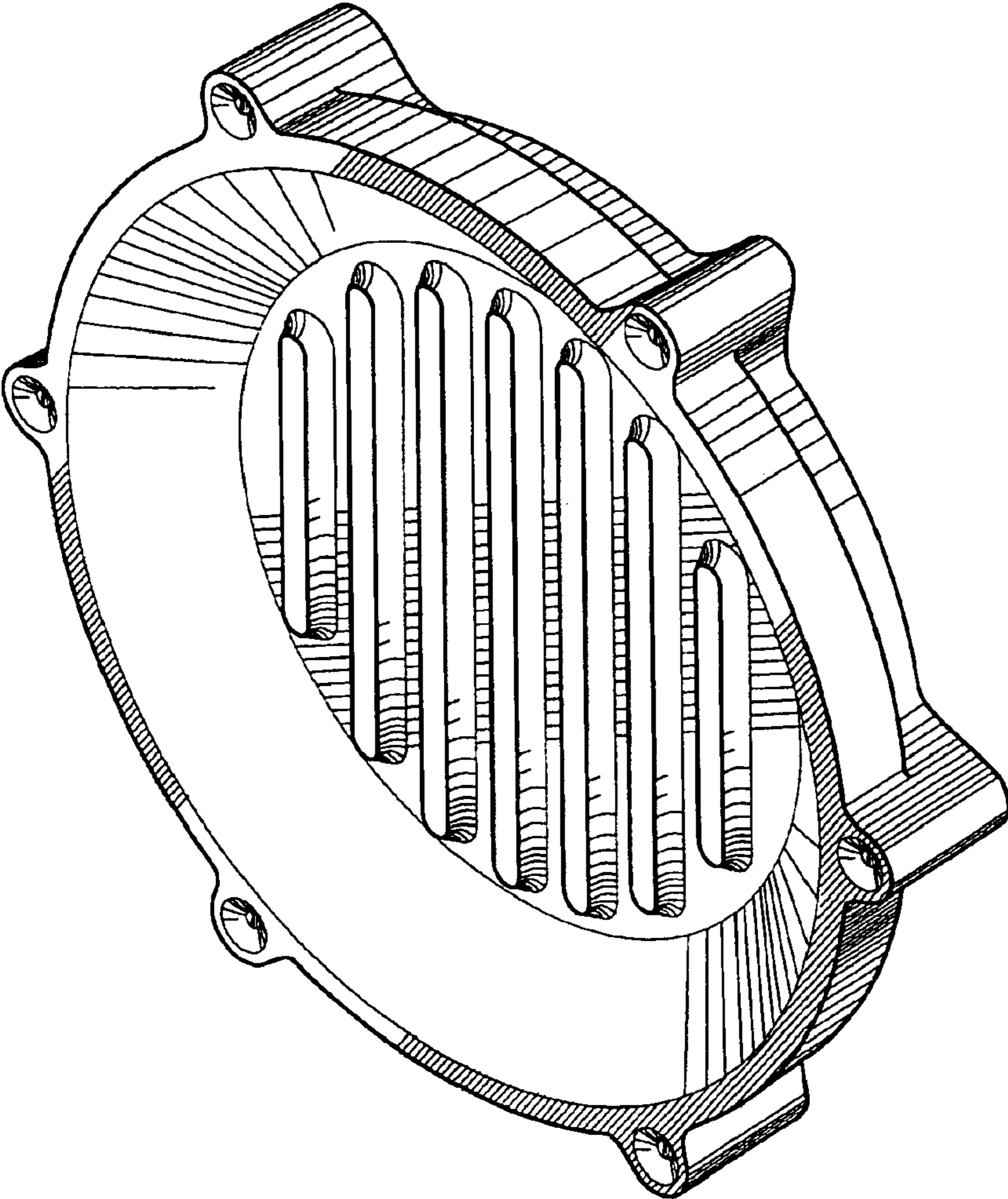


Figure 4

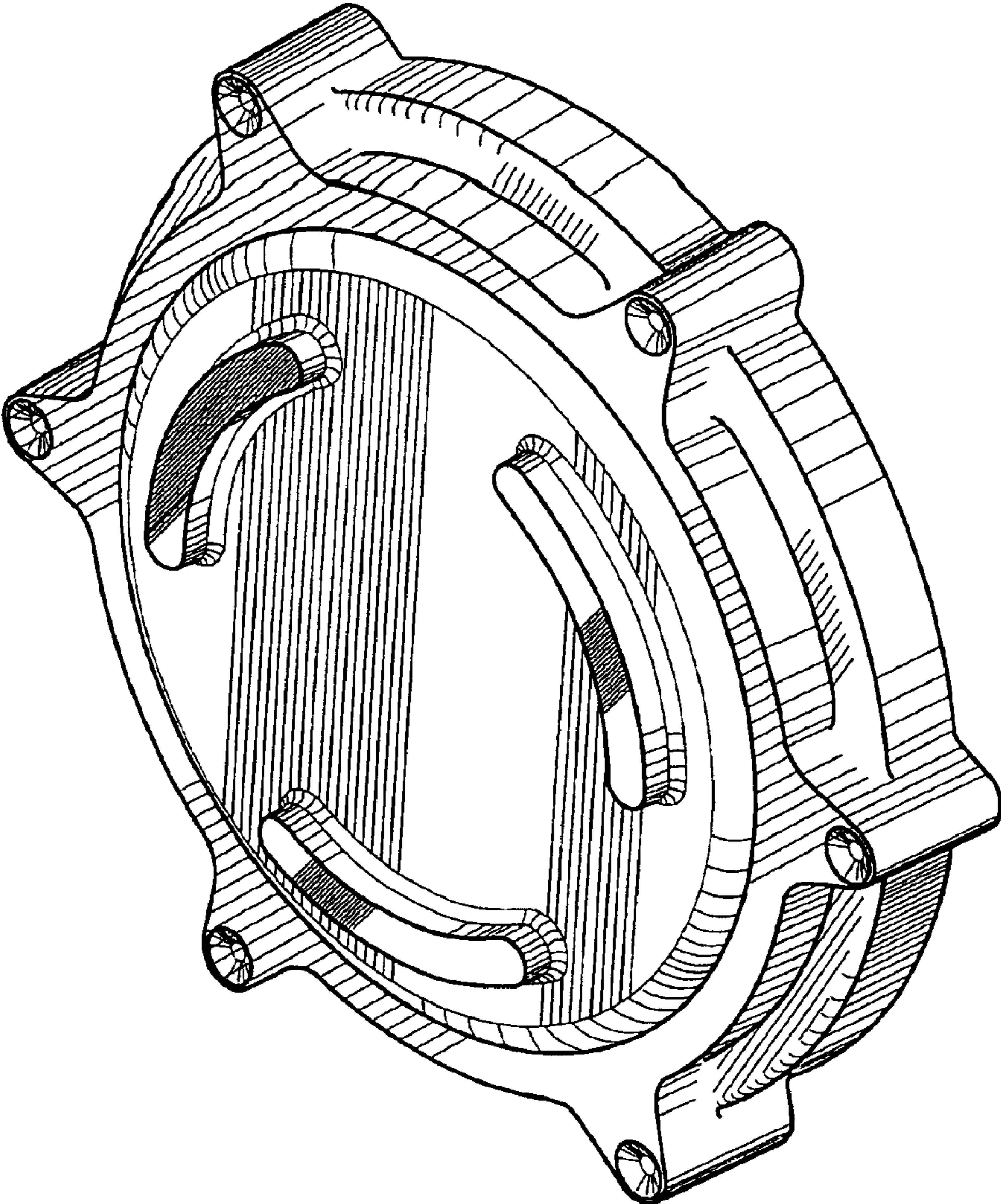


Figure 5