

US00D504261S

(12) **United States Design Patent**
Lee

(10) **Patent No.:** **US D504,261 S**
(45) **Date of Patent:** **** Apr. 26, 2005**

(54) **SOAP DISH**

(76) **Inventor:** **John Su Lee**, 12006 Bingham St.,
Cerritos, CA (US) 90703

(**) **Term:** **14 Years**

(21) **Appl. No.:** **29/212,355**

(22) **Filed:** **Sep. 1, 2004**

(51) **LOC (7) Cl.** **23-02**

(52) **U.S. Cl.** **D6/536**

(58) **Field of Search** D6/536-540; D3/304;
206/77.1; 211/13.1, 85.12

(56) **References Cited**

U.S. PATENT DOCUMENTS

4,501,355	A	*	2/1985	Hoffman	206/77.1
D285,996	S	*	10/1986	Bussell	D6/536
D337,682	S	*	7/1993	Crook et al.	D6/536
D356,914	S	*	4/1995	Cecula	D6/536
D358,517	S	*	5/1995	Sharpe	D6/536
D413,219	S	*	8/1999	Glenton Kerr	D6/536

D417,574	S	*	12/1999	Ludwig	D6/536
D440,441	S	*	4/2001	Gottwald	D6/540
D446,980	S	*	8/2001	Lillelund et al.	D6/536
D467,399	S	*	12/2002	Joseph	D32/56
D478,232	S	*	8/2003	Dretzka	D6/536
D498,103	S	*	11/2004	Dretzka	D6/536

* cited by examiner

Primary Examiner—Brian N Vinson

(57) **CLAIM**

The ornamental design for a soap dish, as shown.

DESCRIPTION

FIG. 1 is a top plan view of a soap dish showing my new design;

FIG. 2 is a left side plan view thereof;

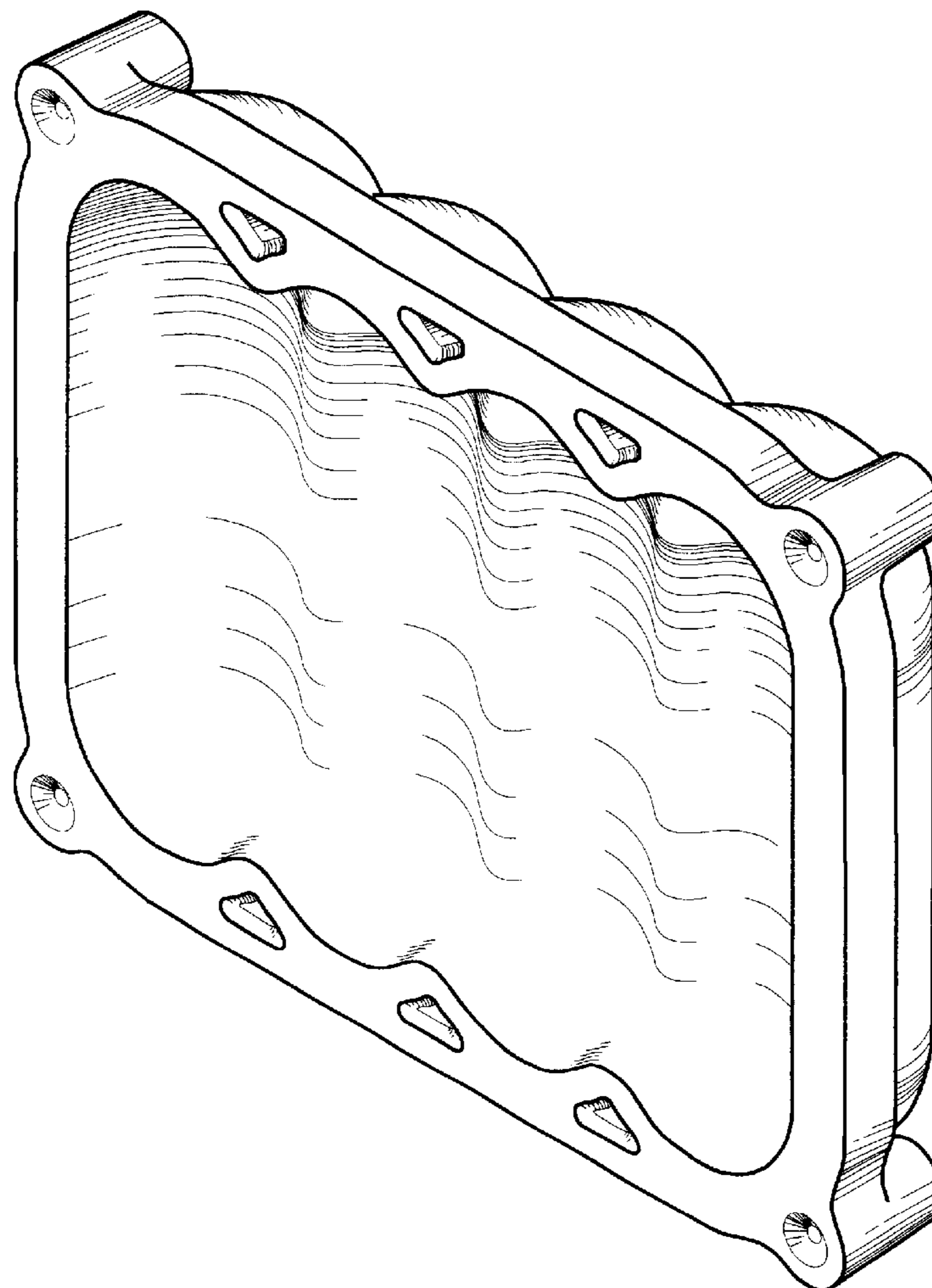
FIG. 3 is a bottom plan view thereof;

FIG. 4 is a front plan view thereof;

FIG. 5 is a front elevational view thereof; and,

FIG. 6 is a bottom elevational view thereof.

1 Claim, 3 Drawing Sheets



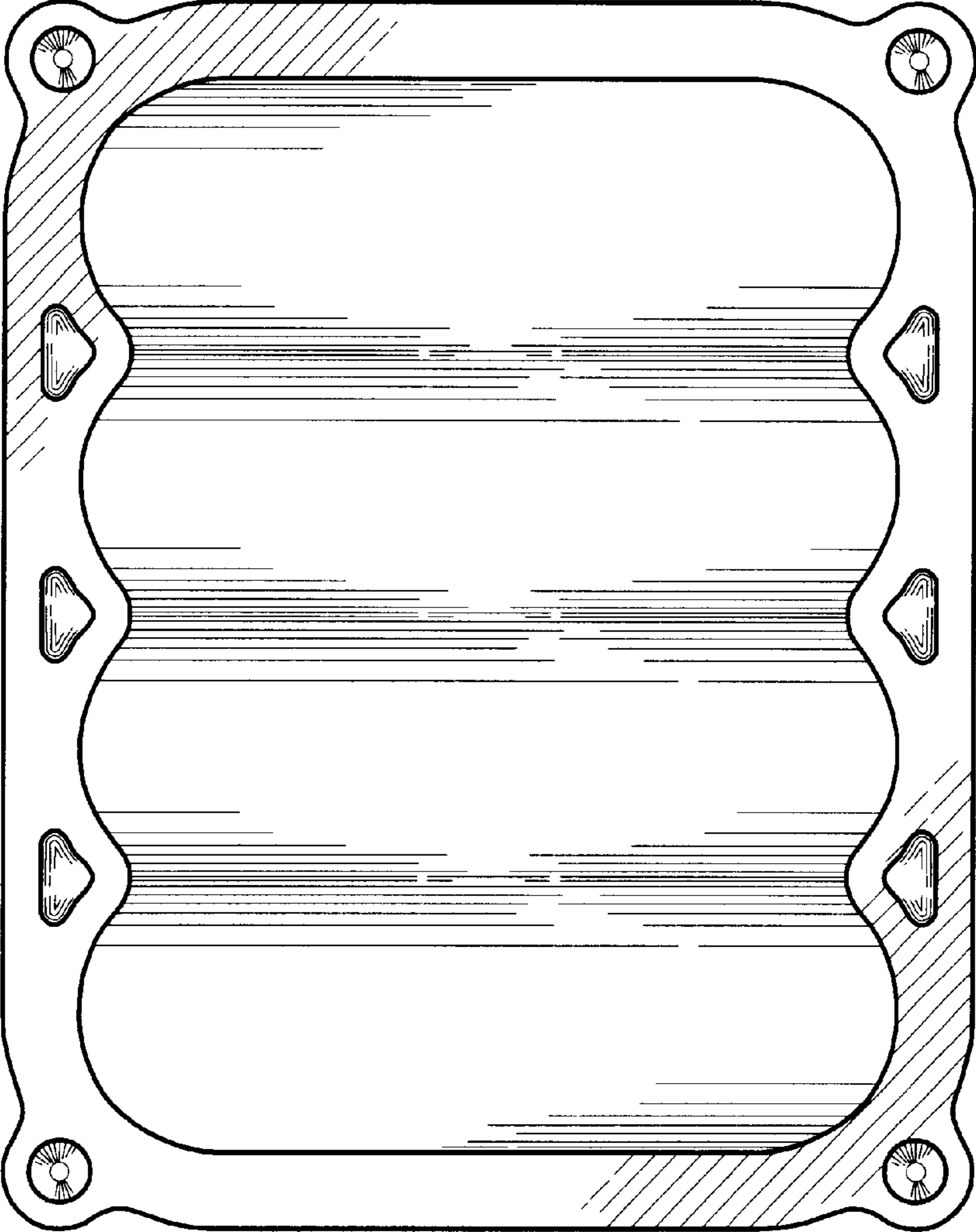


Figure 1

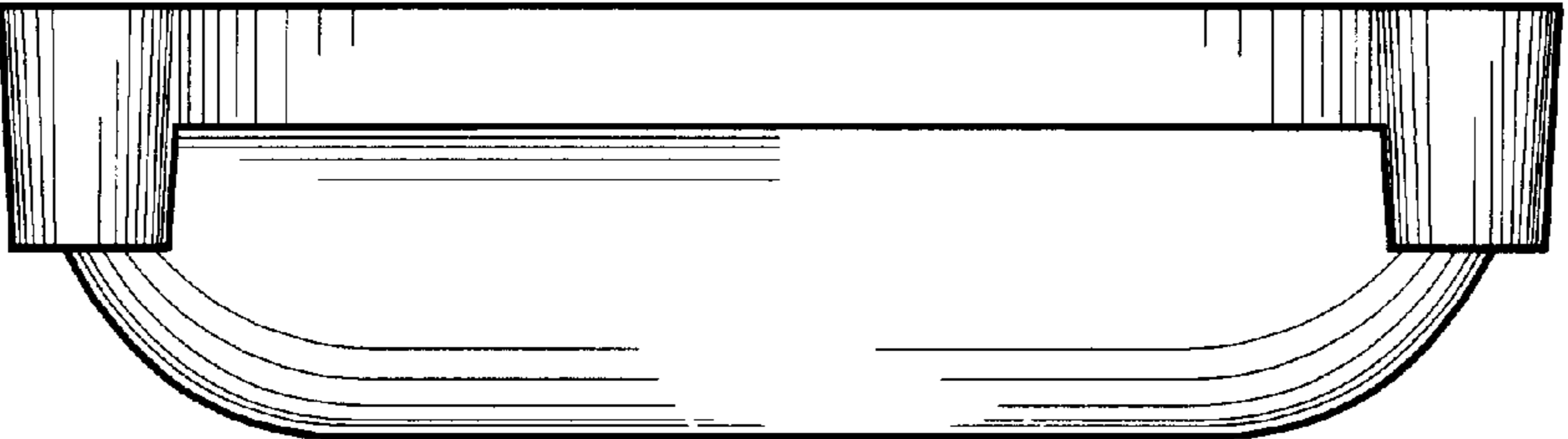


Figure 2

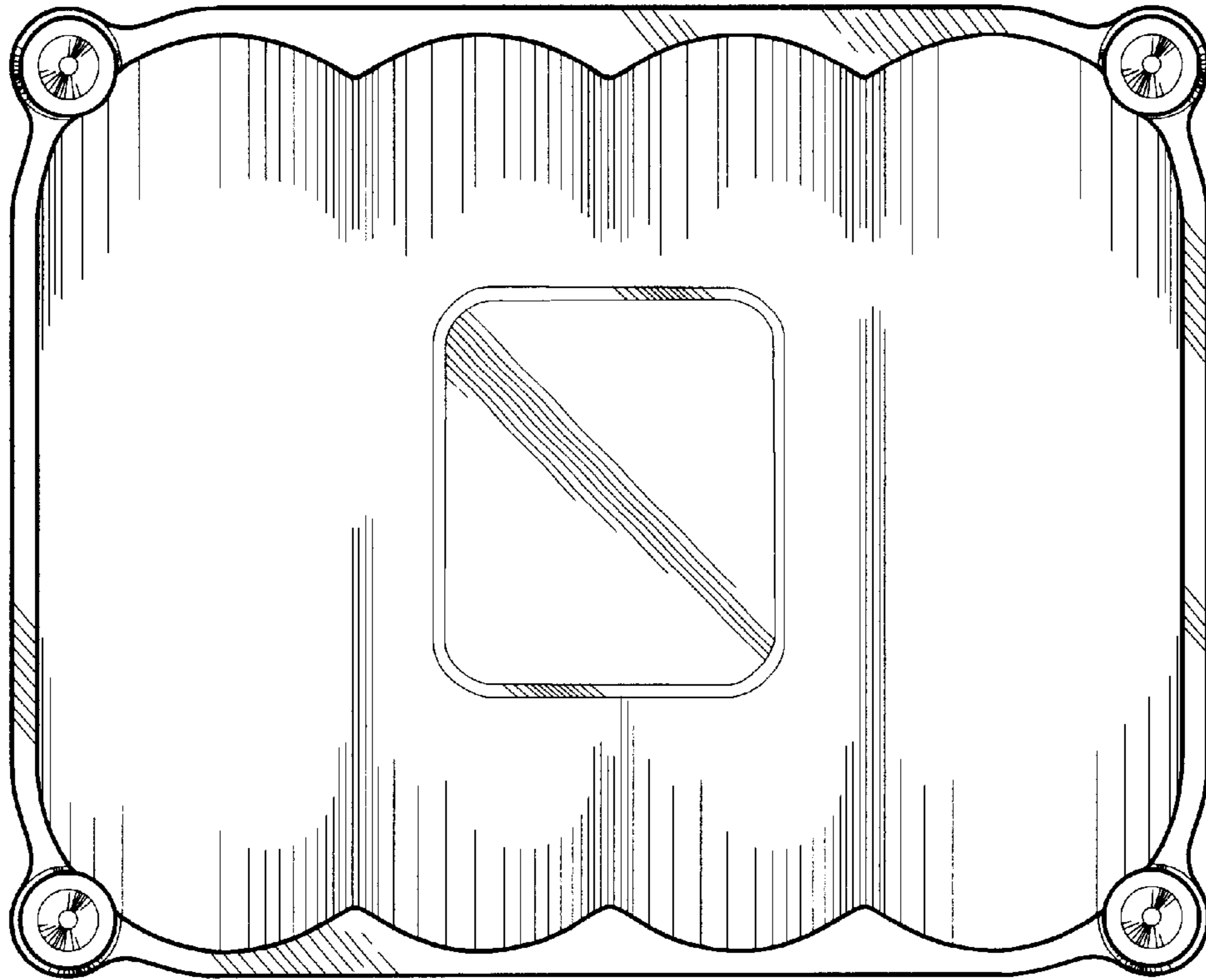


Figure 3

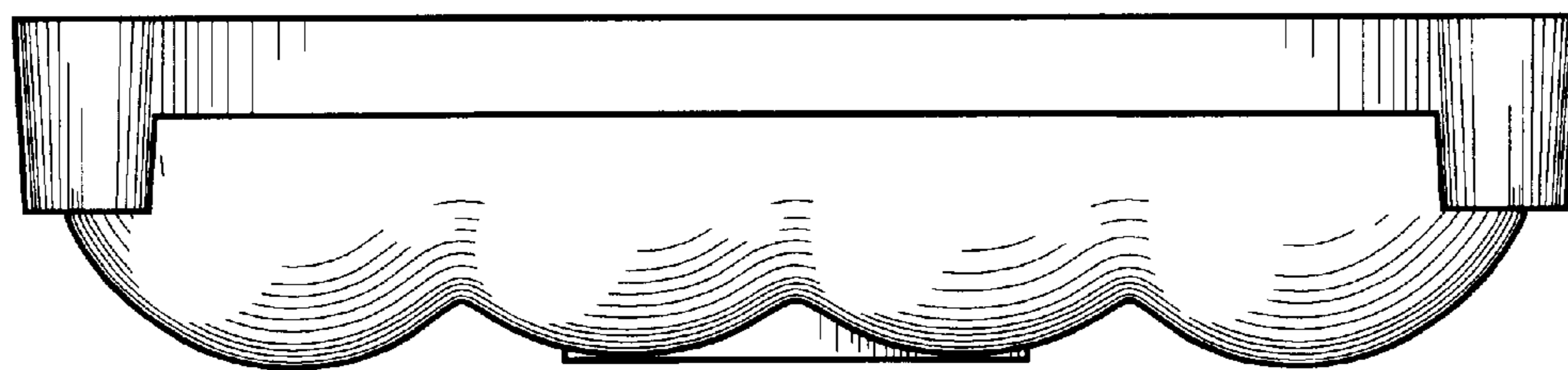


Figure 4

Figure 5

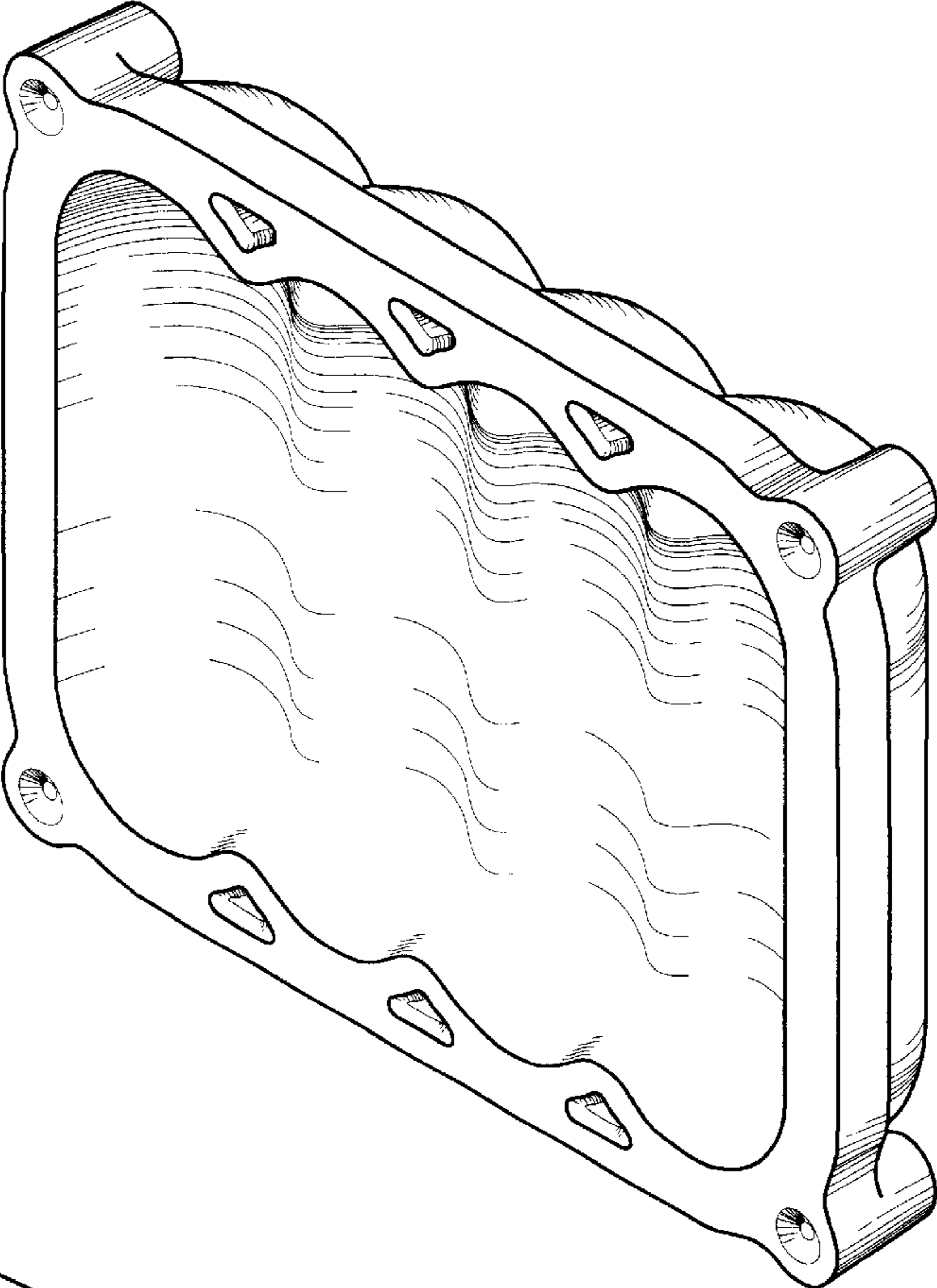


Figure 6

