

US00D504260S

(12) **United States Design Patent**  
**Arceta**

(10) **Patent No.:** **US D504,260 S**  
(45) **Date of Patent:** **\*\* Apr. 26, 2005**

(54) **DRAWER FACE**

- (75) Inventor: **Radmond Vincent Arceta**, Manassas, VA (US)
- (73) Assignee: **Rubbermaid Commercial Products LLC**, Winchester, VA (US)
- (\*\*) Term: **14 Years**
- (21) Appl. No.: **29/199,985**
- (22) Filed: **Feb. 23, 2004**
- (51) **LOC (7) Cl.** ..... **06-06**
- (52) **U.S. Cl.** ..... **D6/510**
- (58) **Field of Search** ..... D6/432, 441, 445, D6/446, 510, 511; D8/313; D34/19, 27; 312/108, 257.1, 297, 330.1

(56) **References Cited**

**U.S. PATENT DOCUMENTS**

D146,375 S \* 2/1947 Obrig ..... D6/446

(Continued)

**FOREIGN PATENT DOCUMENTS**

DE	195 40 058 C	6/1996
DE	297 01 427 U	3/1997
DE	196 42 523 A	5/1997
WO	WO 01/97745 A	12/2001
WO	WO 03/013307 A	2/2003

**OTHER PUBLICATIONS**

QuickMedical, Midmark, Ritter Special Procedures Cart,  
<http://quickmedical.com/Midmark/casework/ritter/345.html>.

(Continued)

*Primary Examiner*—Cathron Brooks

(74) *Attorney, Agent, or Firm*—Foley & Lardner LLP

(57) **CLAIM**

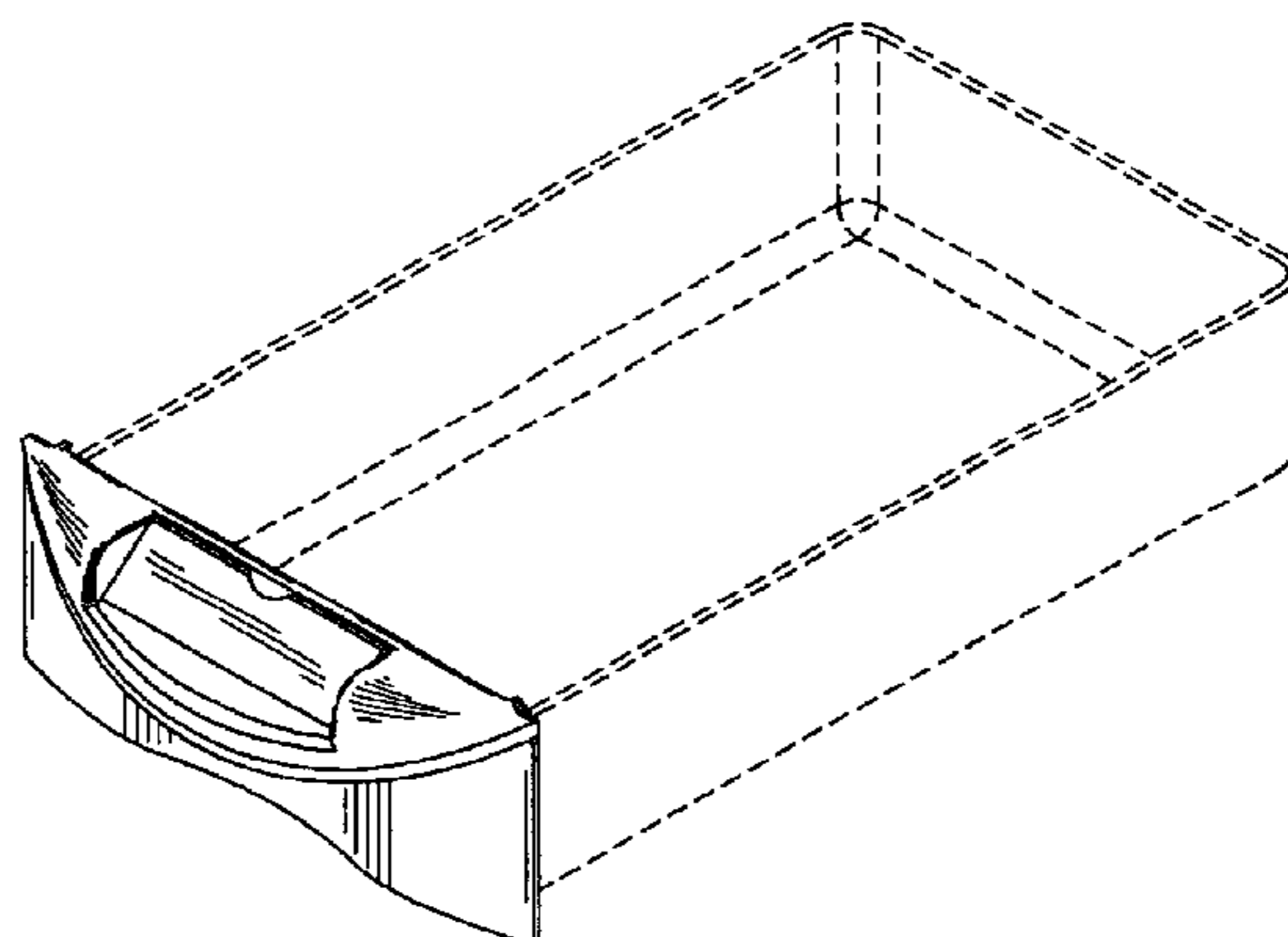
The ornamental design for a drawer face, as shown and described.

**DESCRIPTION**

FIG. 1 is a front elevational view of a first embodiment of a drawer face according to my new design;  
 FIG. 2 is a rear elevational view of the drawer face shown in FIG. 1;  
 FIG. 3 is a left side elevational view of the drawer face shown in FIG. 1;  
 FIG. 4 is a right side elevational view of the drawer face shown in FIG. 1;  
 FIG. 5 is a top plan view of the drawer face shown in FIG. 1;  
 FIG. 6 is a bottom plan view of the drawer face shown in FIG. 1;  
 FIG. 7 is a perspective view of the drawer face shown in FIG. 1;  
 FIG. 8 is a front elevational view of a second embodiment of a drawer face according to my new design;  
 FIG. 9 is a rear elevational view of the drawer face shown in FIG. 8;  
 FIG. 10 is a left side elevational view of the drawer face shown in FIG. 8;  
 FIG. 11 is a right side elevational view of the drawer face shown in FIG. 8;  
 FIG. 12 is a top plan view of the drawer face shown in FIG. 8;  
 FIG. 13 is a bottom plan view of the drawer face shown in FIG. 8;  
 FIG. 14 is a perspective view of the drawer face according shown in FIG. 8;  
 FIG. 15 is a front elevational view of a third embodiment of a drawer face according to my new design;  
 FIG. 16 is a rear elevational view of the drawer face shown in FIG. 15;  
 FIG. 17 is a left side elevational view of the drawer face shown in FIG. 15;  
 FIG. 18 is a right side elevational view of the drawer face shown in FIG. 15;  
 FIG. 19 is a top plan view of the drawer face shown in FIG. 15;  
 FIG. 20 is a bottom plan view of the drawer face shown in FIG. 15; and,  
 FIG. 21 is a perspective view of the drawer face shown in FIG. 15.

The broken lines shown are for illustrative purposes only and form no part of the claimed design.

**1 Claim, 21 Drawing Sheets**



U.S. PATENT DOCUMENTS

3,910,659 A 10/1975 Peterson  
D367,381 S \* 2/1996 Licari ..... D6/446  
D390,733 S \* 2/1998 Brunner et al. .... D6/510  
5,841,361 A 11/1998 Hoffman  
D402,529 S \* 12/1998 Husted ..... D8/313  
D410,230 S \* 5/1999 Witte ..... D6/432  
D458,780 S \* 6/2002 Siepmann et al. .... D6/510  
D462,674 S \* 9/2002 Siepmann et al. .... D14/183  
D481,847 S \* 11/2003 Van Ledingham, Jr. .... D6/446  
D482,173 S \* 11/2003 Van Ledingham, Jr. .... D6/446

OTHER PUBLICATIONS

Lionville Systems, Inc., Carts::Healthcare, [http://www.lionville.com/carts\\_healthcare.html](http://www.lionville.com/carts_healthcare.html).  
Lionville Systems, Inc., Carts::Mobile Computing, [http://www.lionville.com/carts\\_mobile.html](http://www.lionville.com/carts_mobile.html).  
Lionville Systems, Inc., Carts::Anesthesia, [http://www.lionville.com/carts\\_anesthesia.html](http://www.lionville.com/carts_anesthesia.html).

Lionville Systems, Inc., Carts::Pharmacy Transfer, [http://www.lionville.com/carts\\_pharmatransfer.html](http://www.lionville.com/carts_pharmatransfer.html).

Lionville Systems, Inc., Carts::Extended Care, [http://www.lionville.com/carts\\_extendedcare.html](http://www.lionville.com/carts_extendedcare.html).

Lionville Systems, Inc., Carts, <http://www.lionville.com>.

Lionville Systems, Inc., Carts::Acute Care, [http://www.lionville.com/carts\\_acute.html](http://www.lionville.com/carts_acute.html).

Lionville Systems, Inc., Carts, <http://www.lionville.com/carts.html>.

Lionville Systems, Inc., iCart™ Brochure.

Lionville Systems, Inc., Medication Carts Brochure (400 Series, 600 Series, 800 Series).

Lionville Systems, Inc., Anesthesia Cart Brochure.

Lionville Systems, Inc., Medication Carts Brochure.

Lionville Systems, Inc., Healthcare Carts Brochure.

\* cited by examiner

Fig. 1

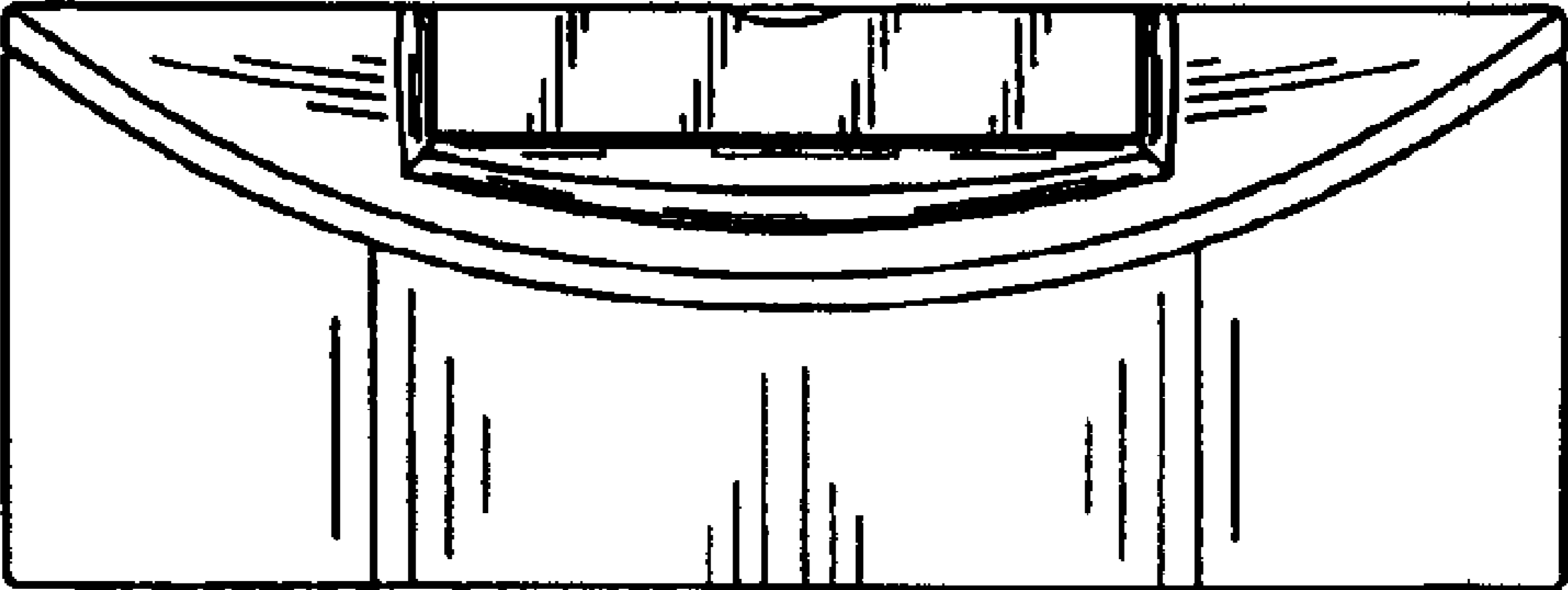


Fig. 2

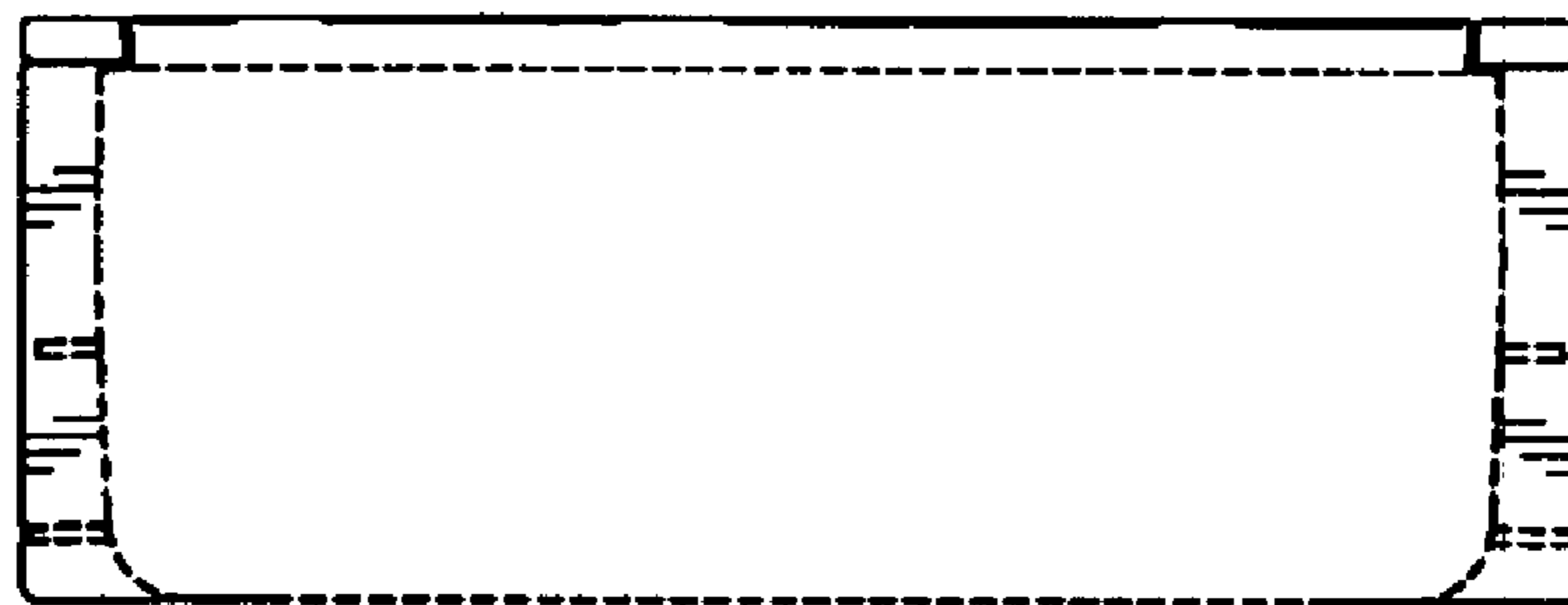


Fig. 3

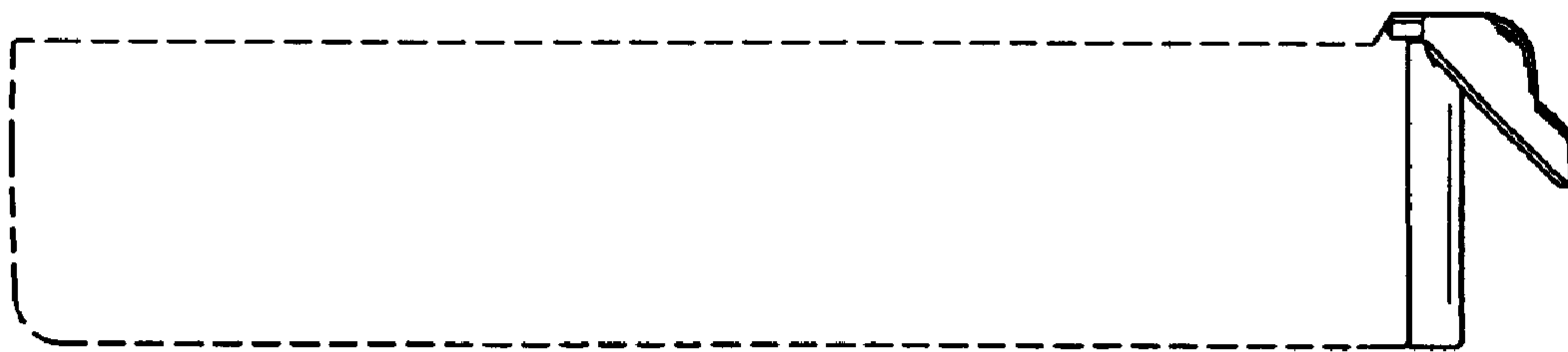


Fig. 4

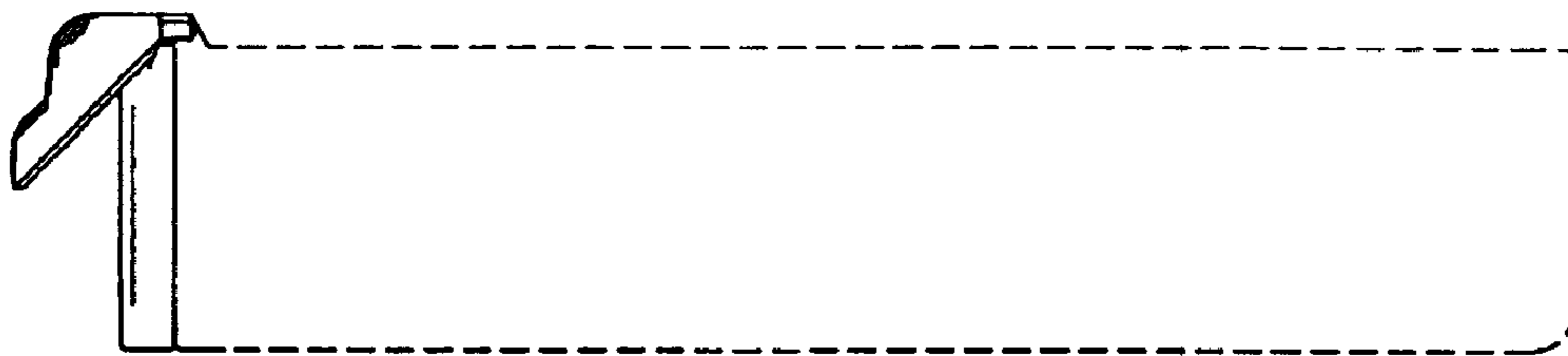


Fig. 5

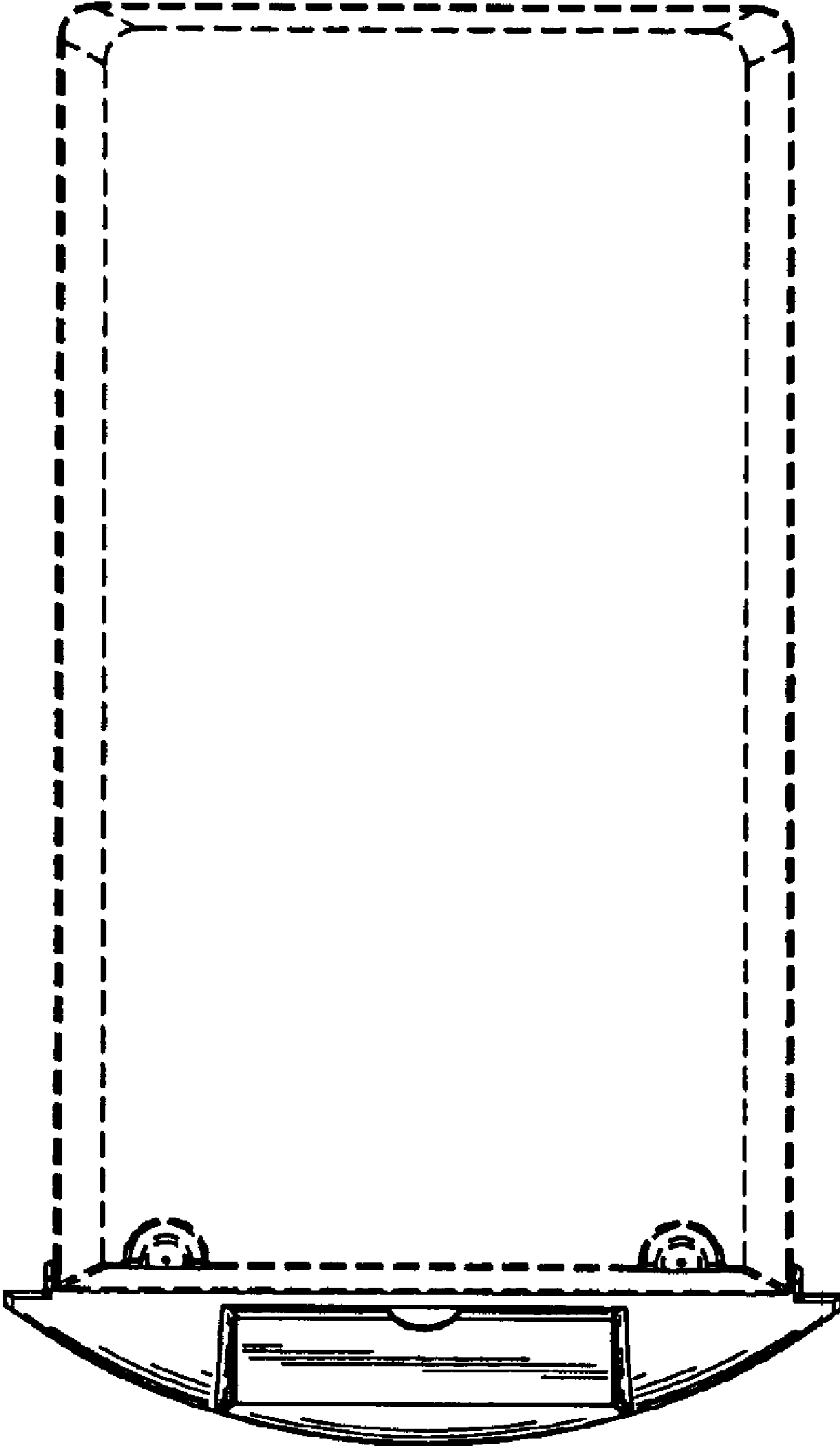


Fig. 6

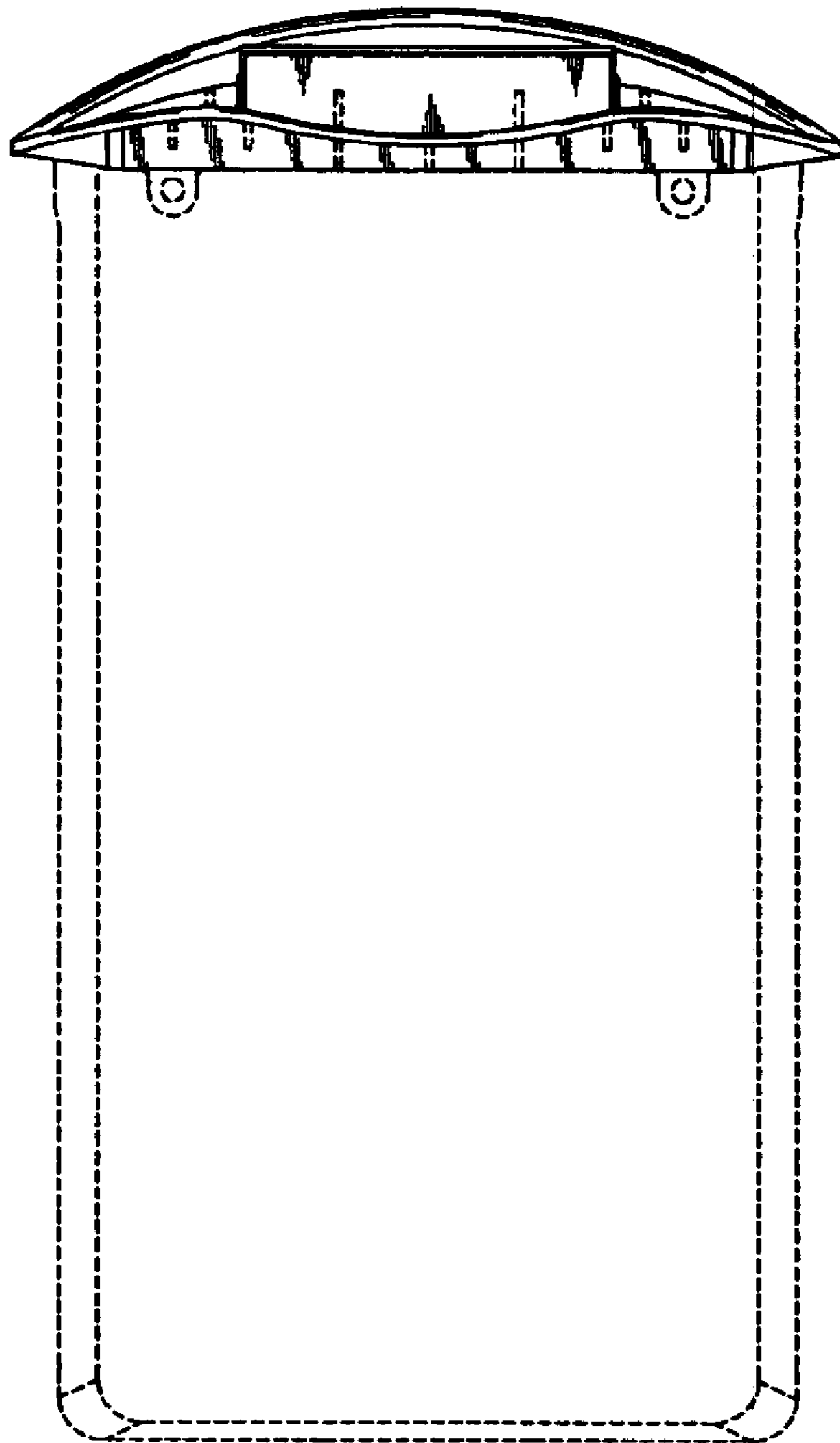




Fig. 7

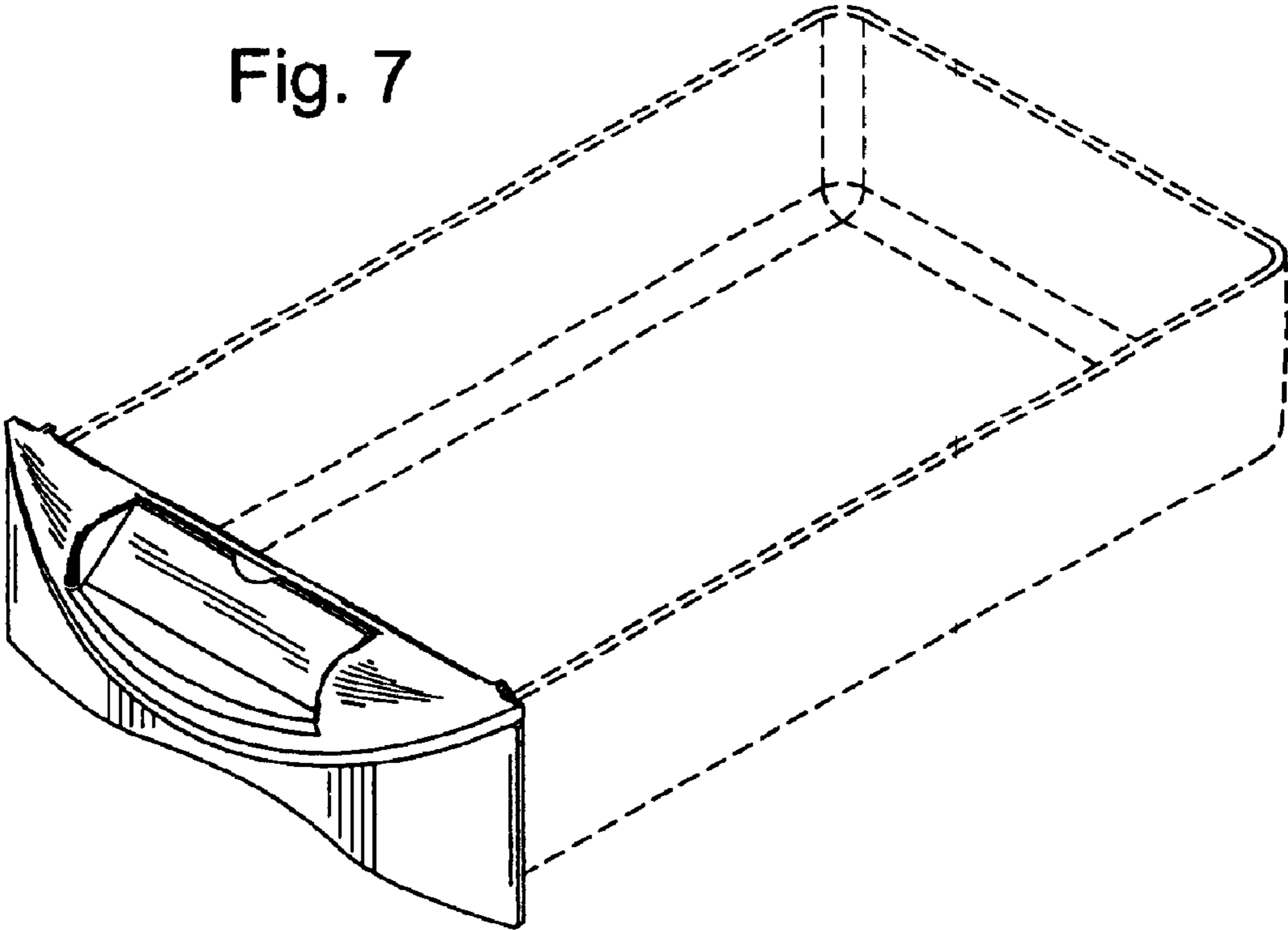


Fig. 8

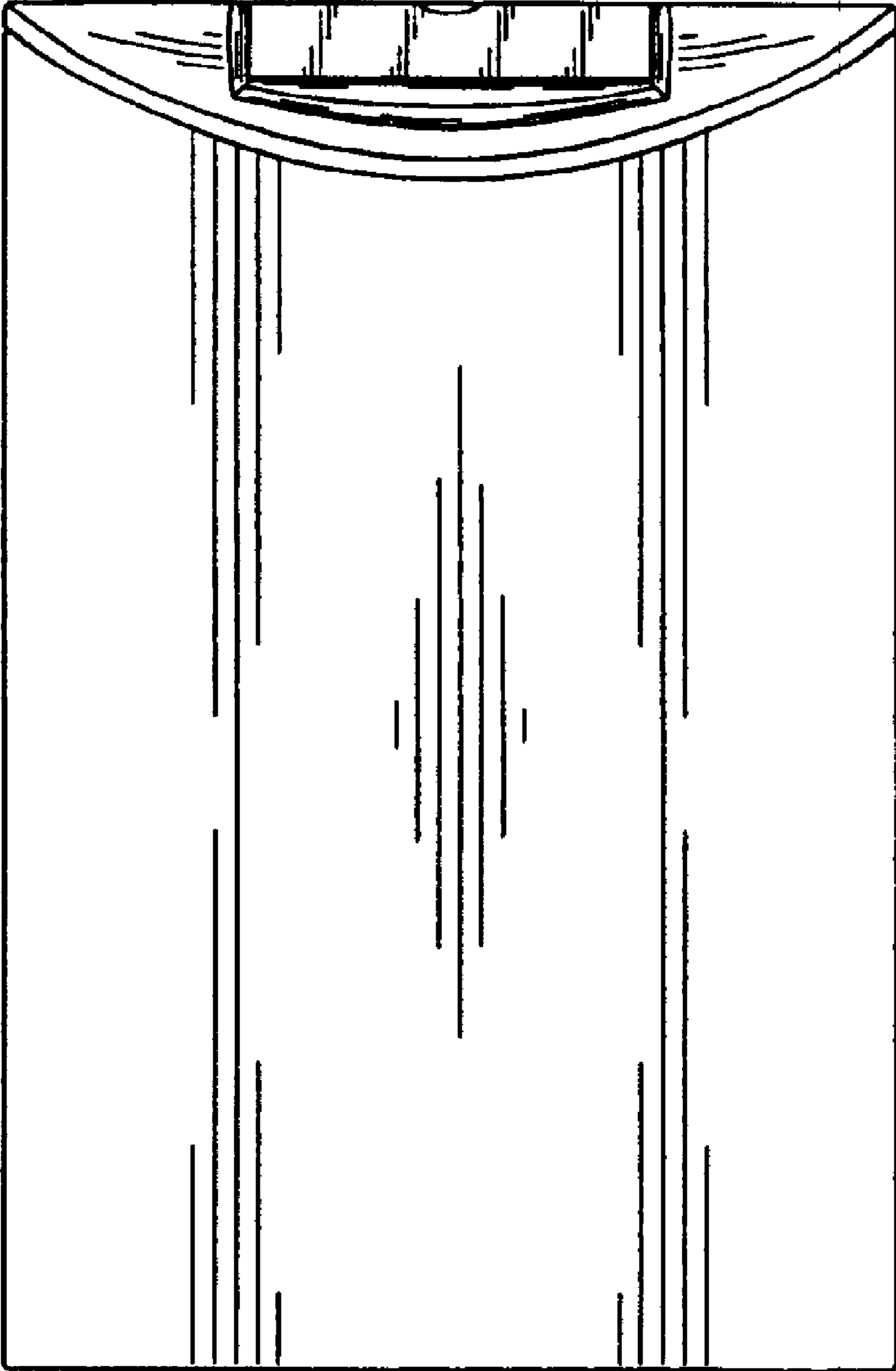


Fig. 9

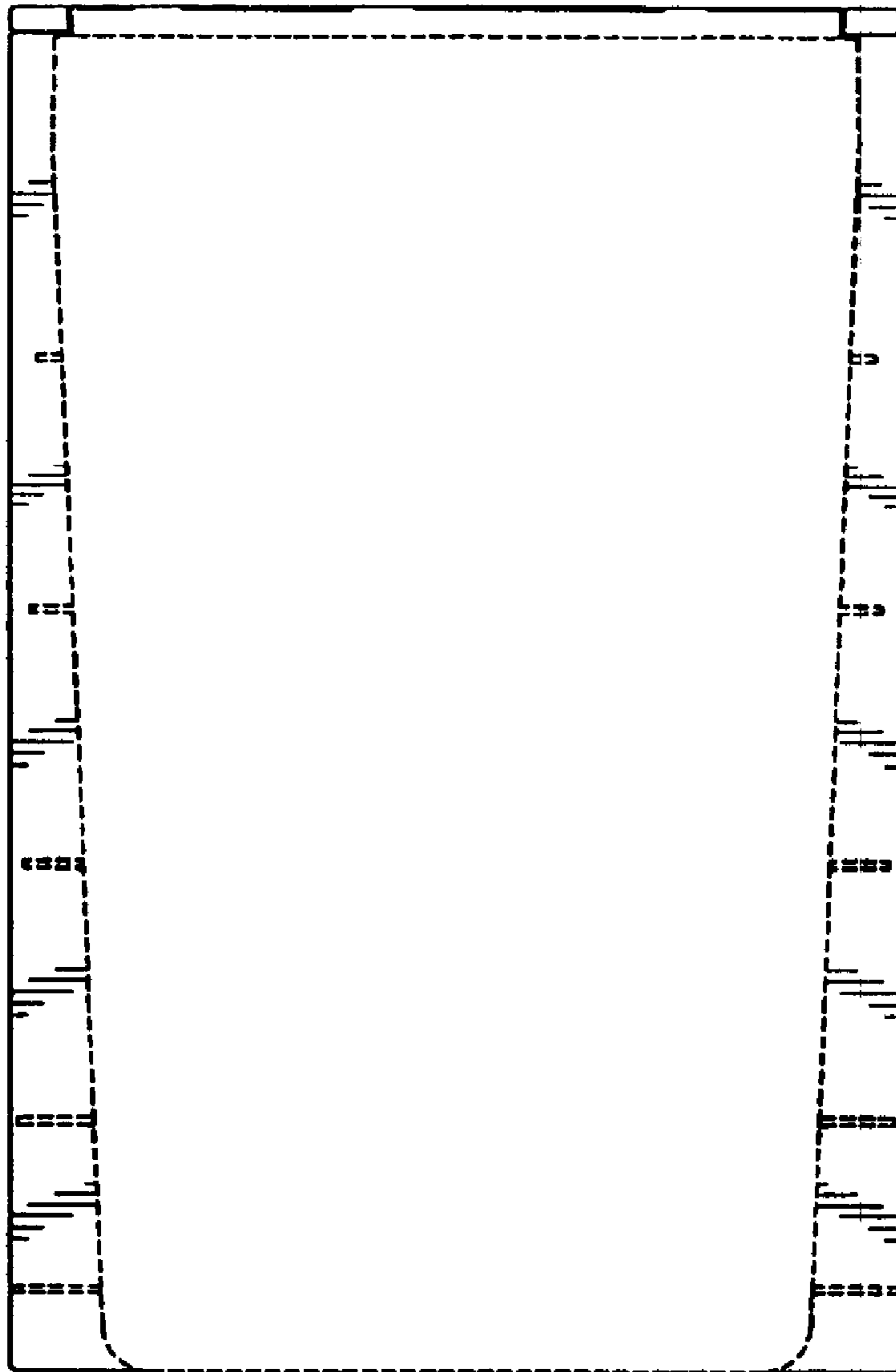


Fig. 10

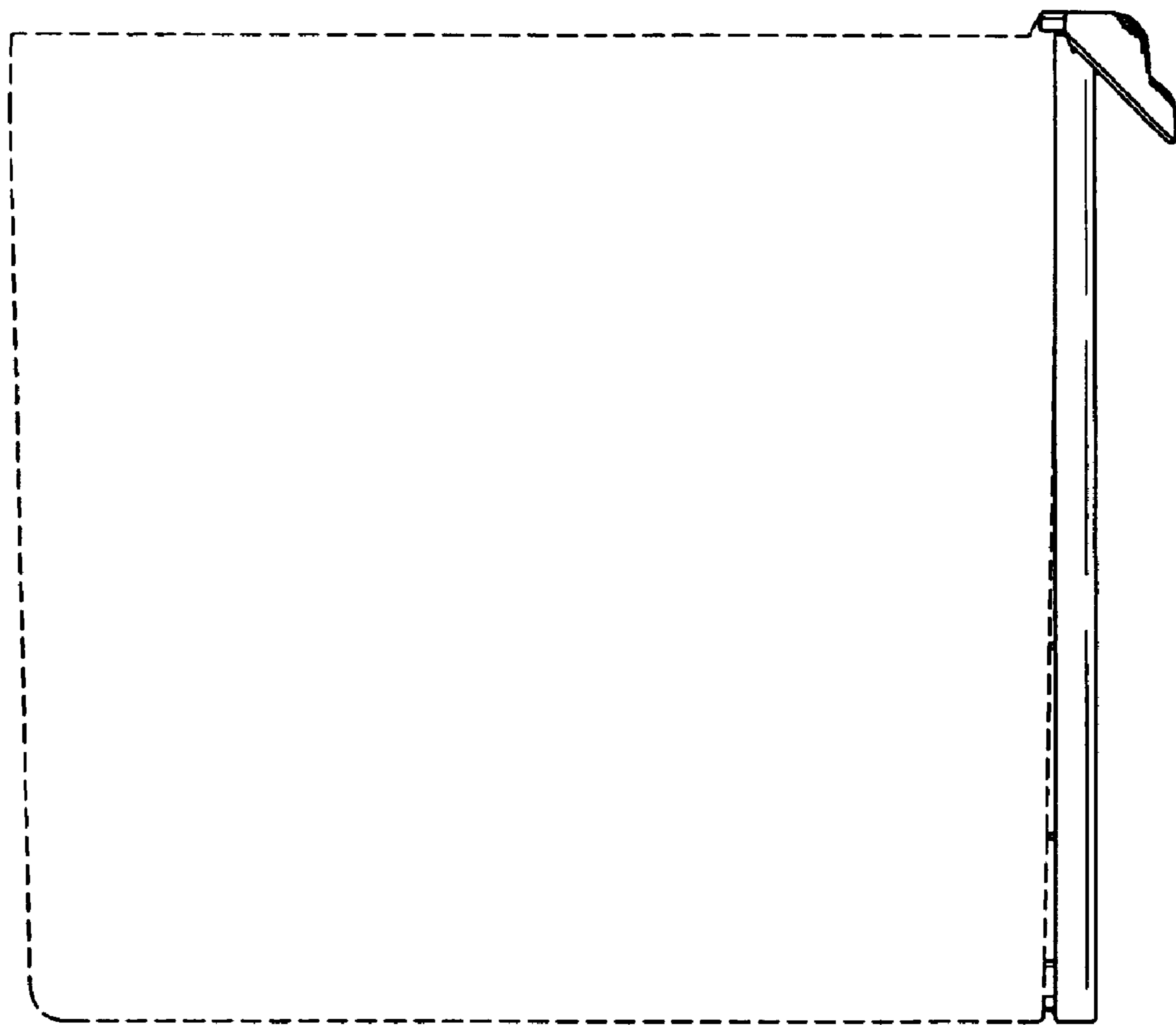


Fig. 11

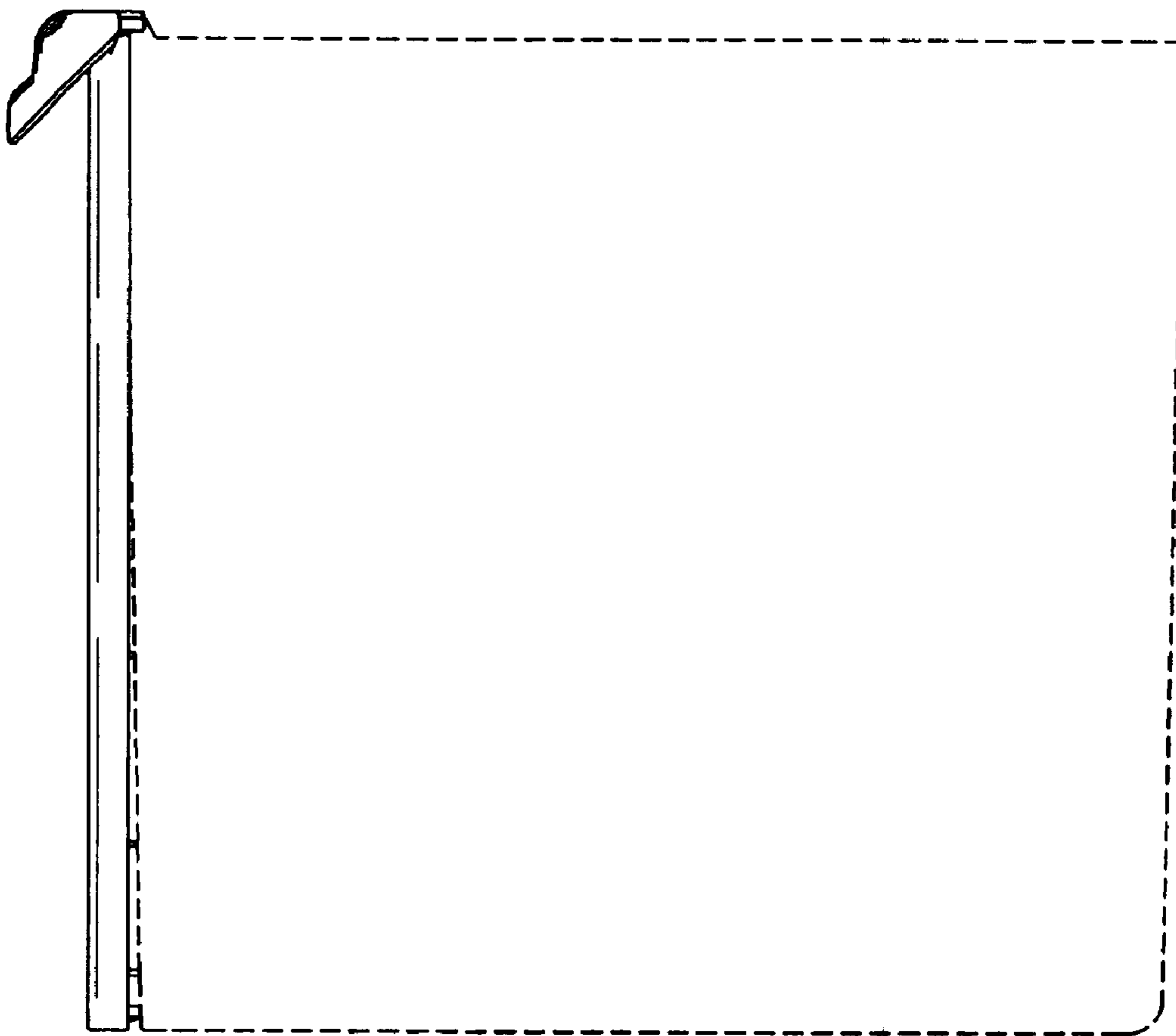


Fig. 12

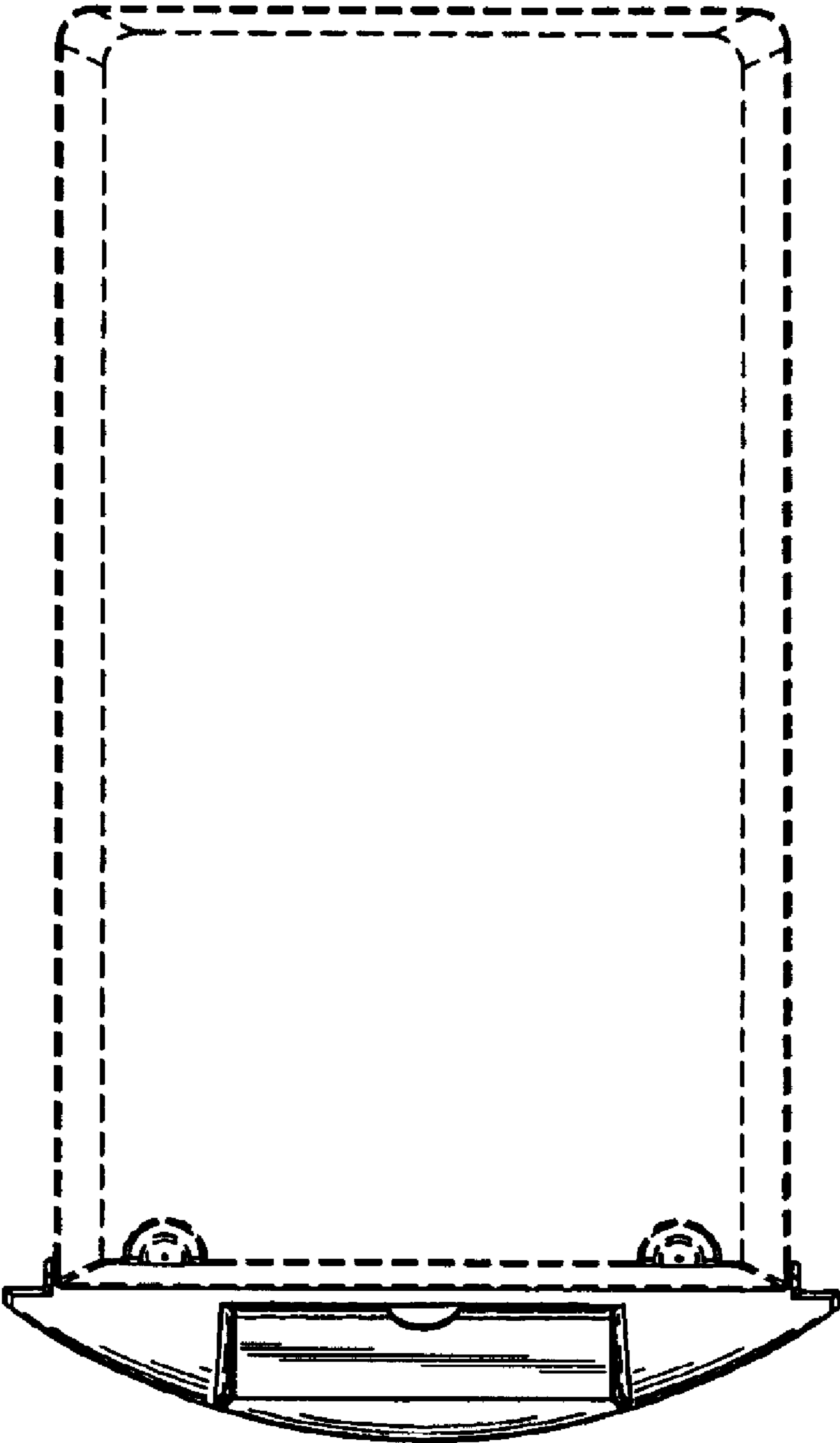


Fig. 13

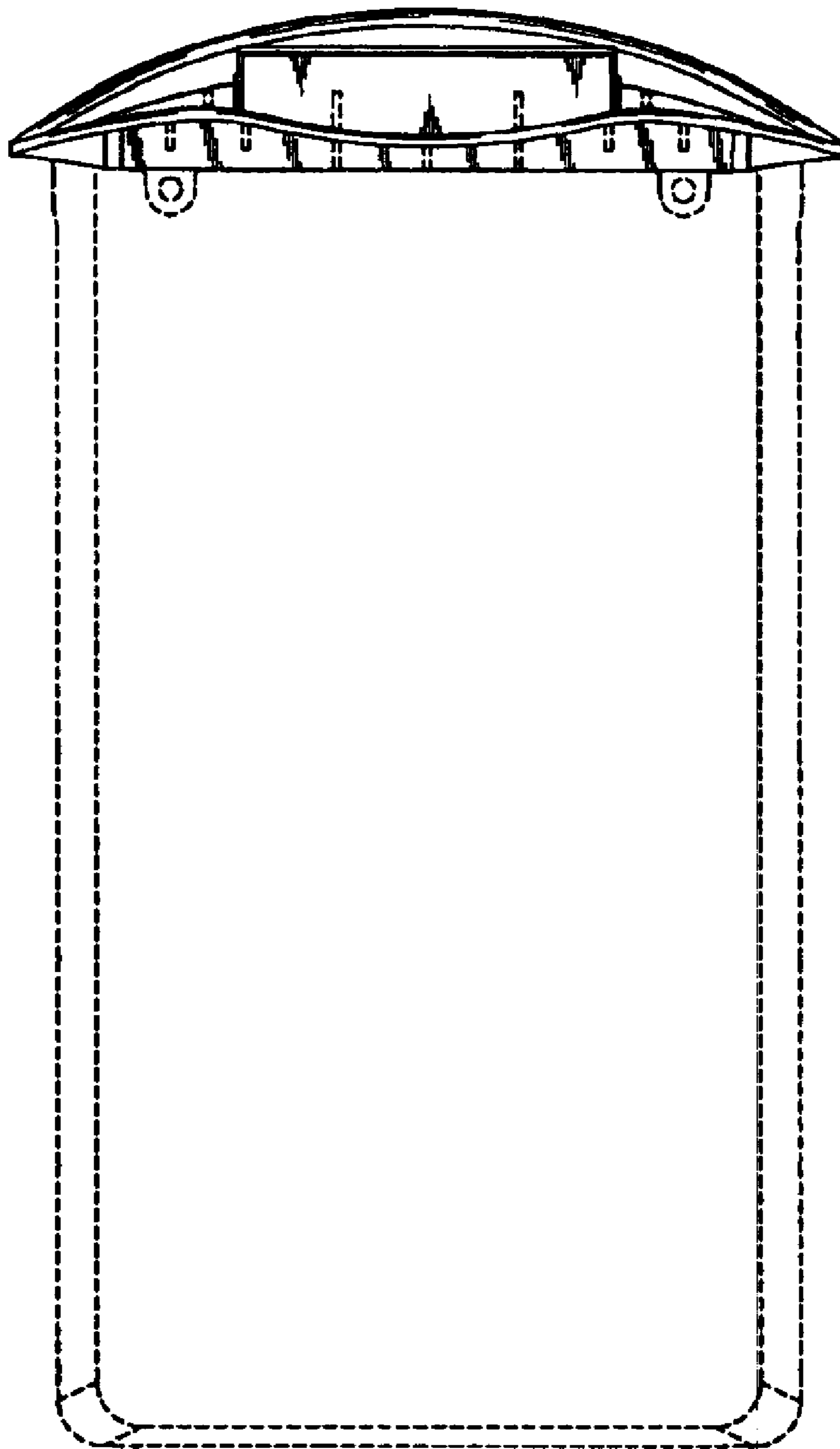


Fig. 14

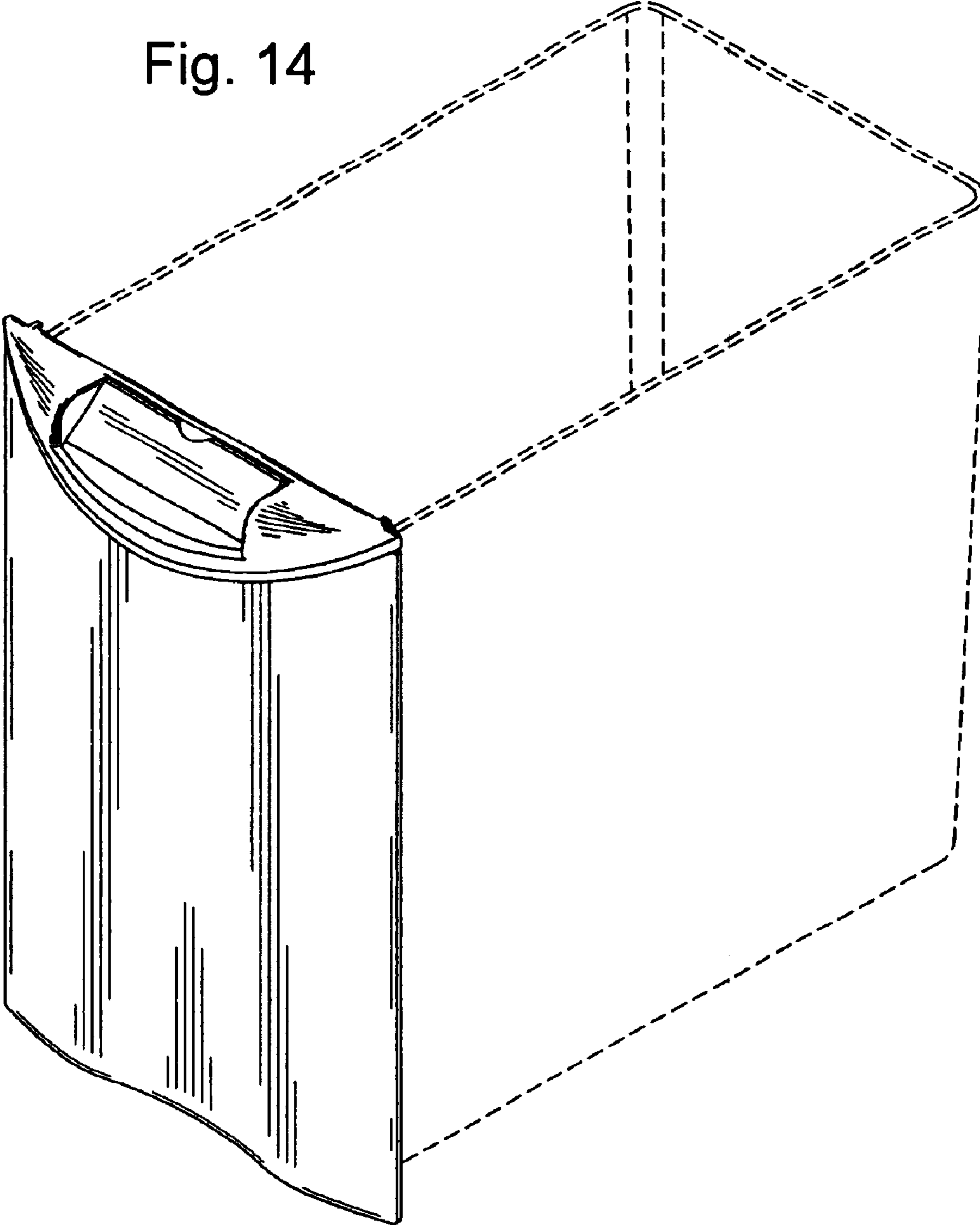




Fig. 15

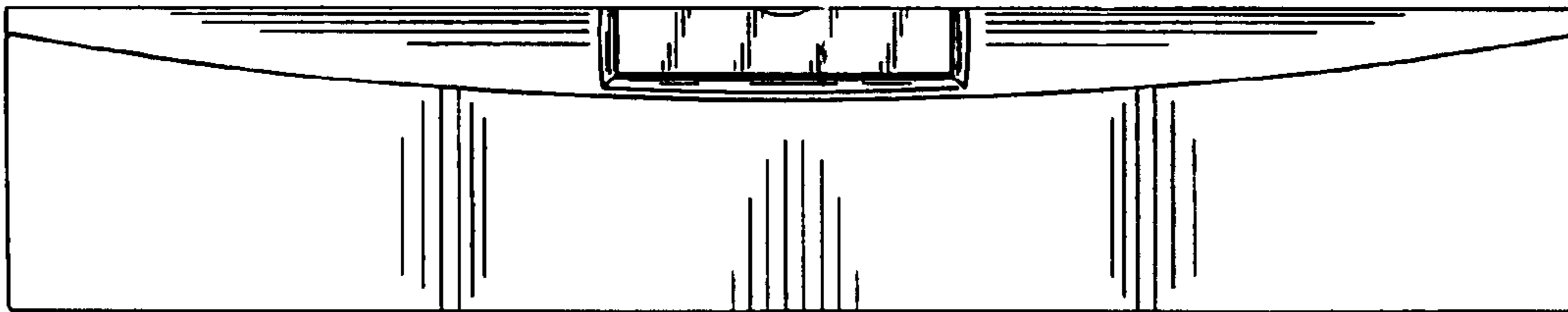


Fig. 16

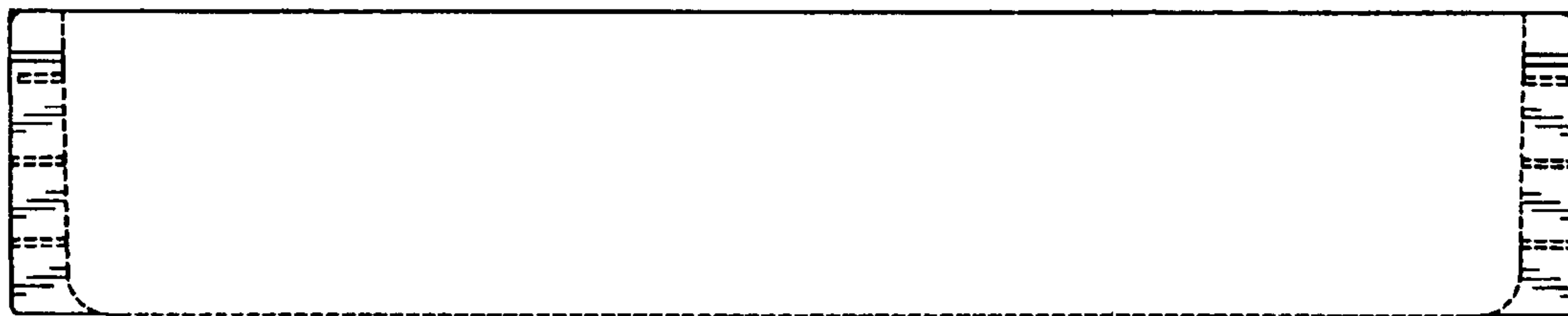


Fig. 17

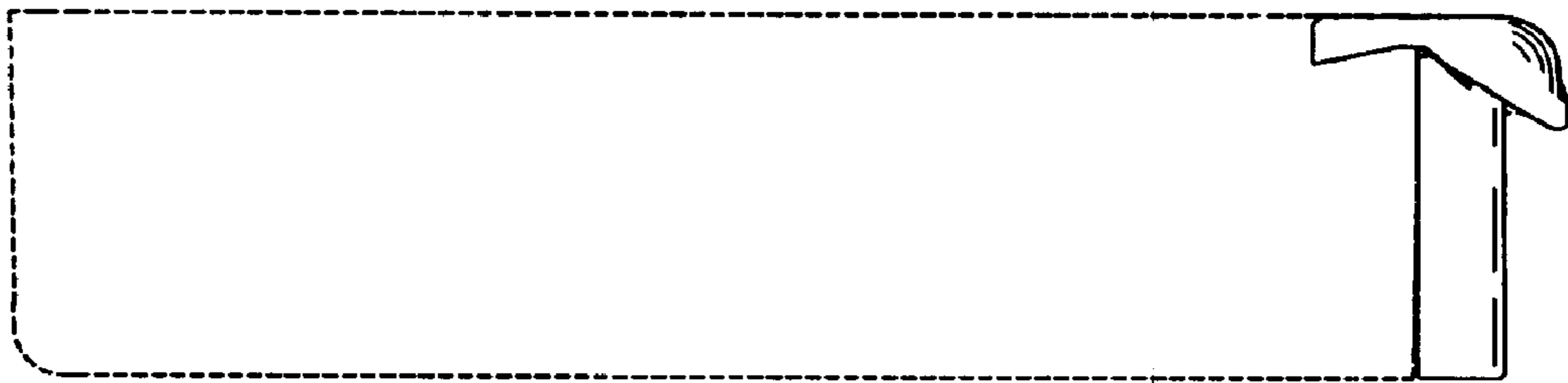


Fig. 18



Fig. 19

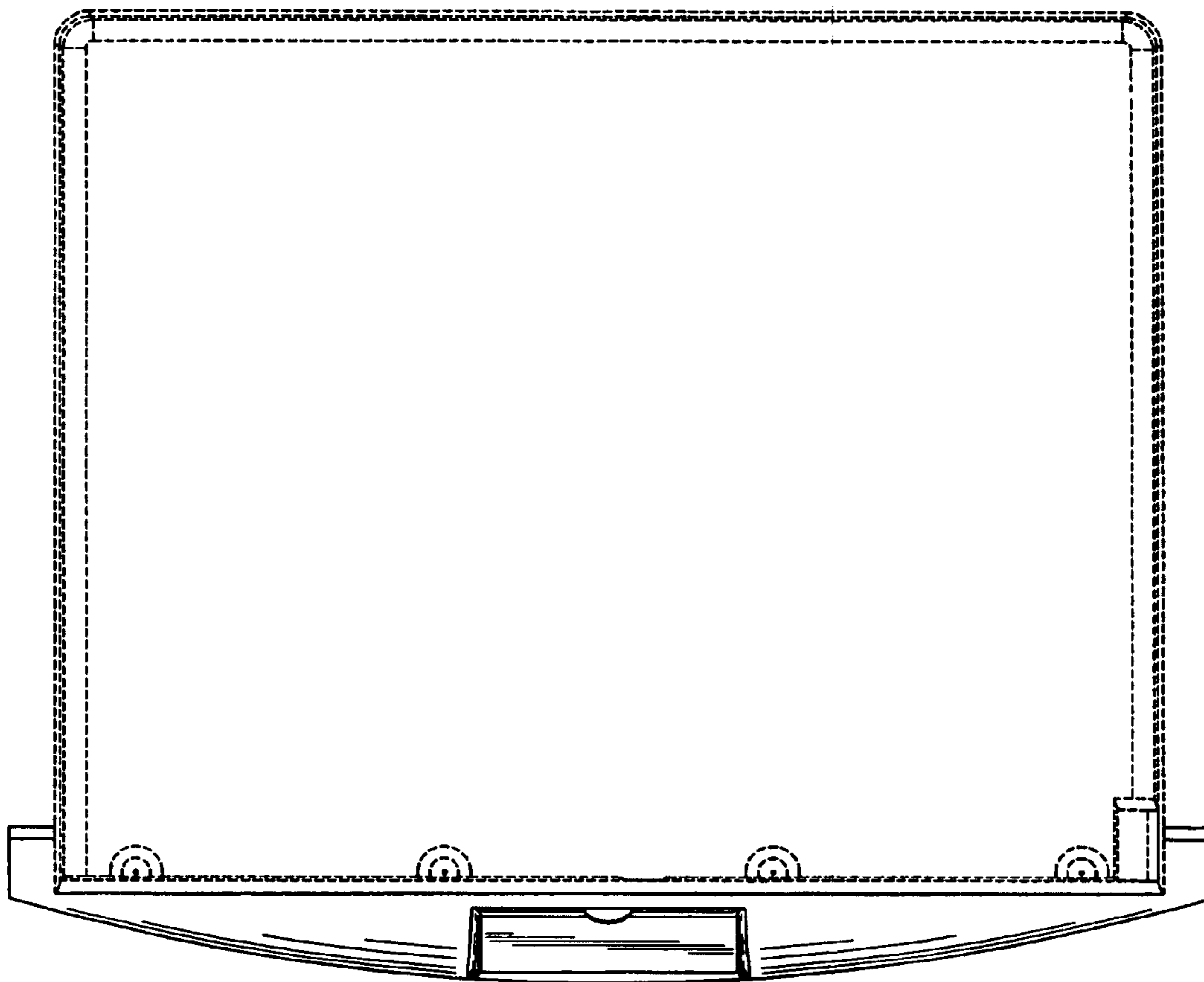


Fig. 20

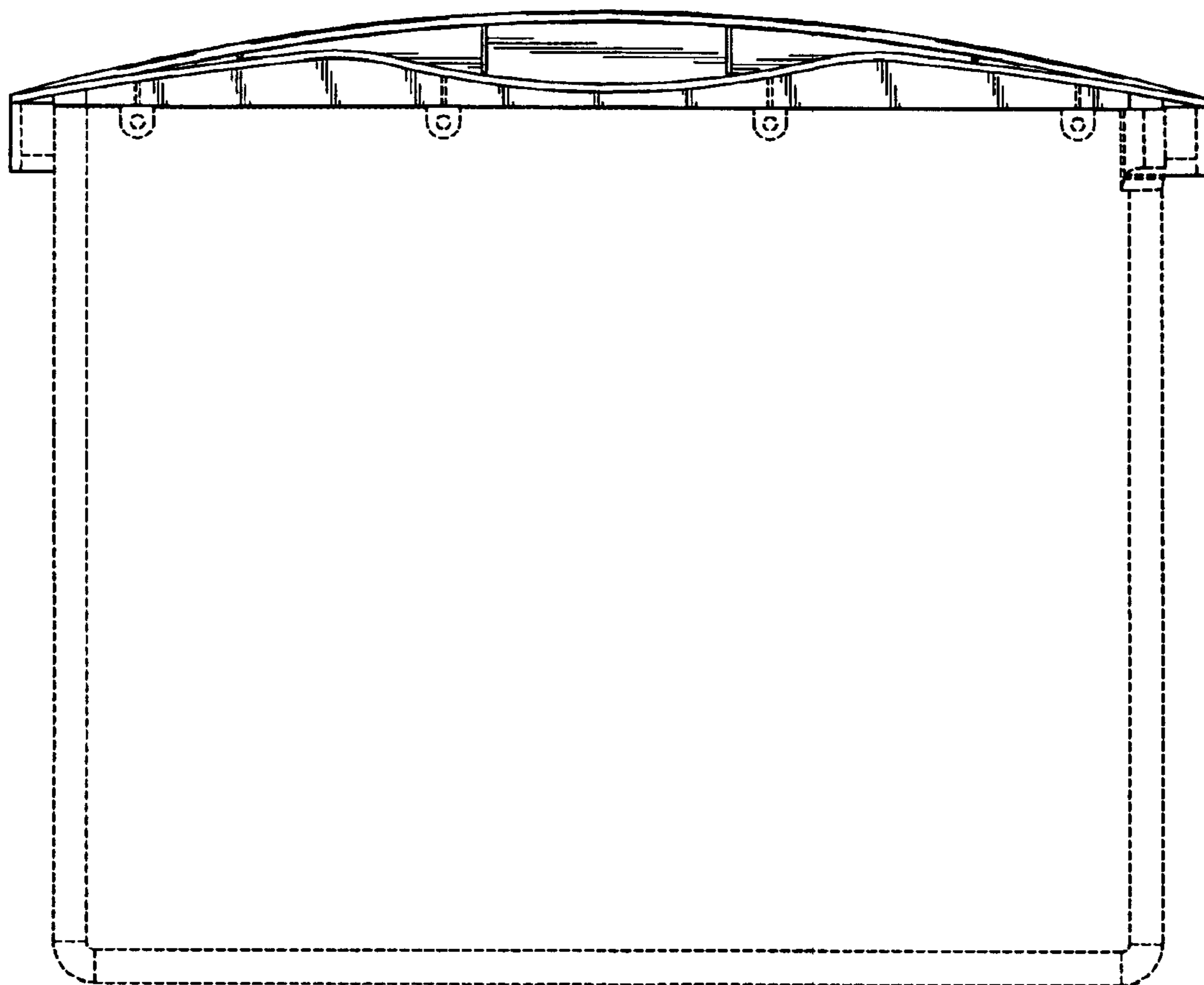


Fig. 21

