



US00D504259S

(12) **United States Design Patent**
Arceta

(10) **Patent No.: US D504,259 S**
(45) **Date of Patent: ** Apr. 26, 2005**

(54) **DRAWER FACE**

(75) Inventor: **Radmond Vincent Arceta**, Manassas, VA (US)

(73) Assignee: **Rubbermaid Commercial Products LLC**, Winchester, VA (US)

(**) Term: **14 Years**

(21) Appl. No.: **29/199,984**

(22) Filed: **Feb. 23, 2004**

(51) **LOC (7) Cl.** **06-06**

(52) **U.S. Cl.** **D6/510**

(58) **Field of Search** D6/432, 441, 445, D6/446, 510, 511; D8/313; D34/19, 27; 312/108, 257.1, 297, 330.1

(56) **References Cited**

U.S. PATENT DOCUMENTS

D146,375 S * 2/1947 Obrig D6/446
3,910,659 A 10/1975 Peterson

(Continued)

FOREIGN PATENT DOCUMENTS

DE 195 40 058 C 6/1996

(Continued)

OTHER PUBLICATIONS

QuickMedical, Midmark, Ritter Special Procedures Cart,
<http://quickmedical.com/Midmark/casework/ritter/345.html>.

(Continued)

Primary Examiner—Cathron Brooks

(74) *Attorney, Agent, or Firm*—Foley & Lardner LLP

(57) **CLAIM**

The ornamental design for a drawer face, as shown and described.

DESCRIPTION

This application claims priority to U.S. Design Patent Application No. 29/196,713, (filed Jan. 2, 2004).

FIG. 1 is a front elevational view of a first embodiment of a drawer face according to my new design;

FIG. 2 is a rear elevational view of the drawer face shown in FIG. 1;

FIG. 3 is a left side elevational view of of the drawer face shown in FIG. 1;

FIG. 4 is a right side elevational view of of the drawer face shown in FIG. 1;

FIG. 5 is a top plan view of of the drawer face shown in FIG. 1;

FIG. 6 is a bottom plan view of of the drawer face shown in FIG. 1;

FIG. 7 is a perspective view of of the drawer face shown in FIG. 1;

FIG. 8 is a front elevational view of a second embodiment of a drawer face according to my new design;

FIG. 9 is a rear elevational view of the drawer face shown in FIG. 8;

FIG. 10 is a left side elevational view of the drawer face shown in FIG. 8;

FIG. 11 is a right side elevational view of the drawer face shown in FIG. 8;

FIG. 12 is a top plan view of the drawer face shown in FIG. 8;

FIG. 13 is a bottom plan view of the drawer face shown in FIG. 8;

FIG. 14 is a perspective view of the drawer face according shown in FIG. 8;

FIG. 15 is a front elevational view of a third embodiment of a drawer face according to my new design;

FIG. 16 is a rear elevational view of the drawer face shown in FIG. 15;

FIG. 17 is a left side elevational view of the drawer face shown in FIG. 15;

FIG. 18 is a right side elevational view of the drawer face shown in FIG. 15;

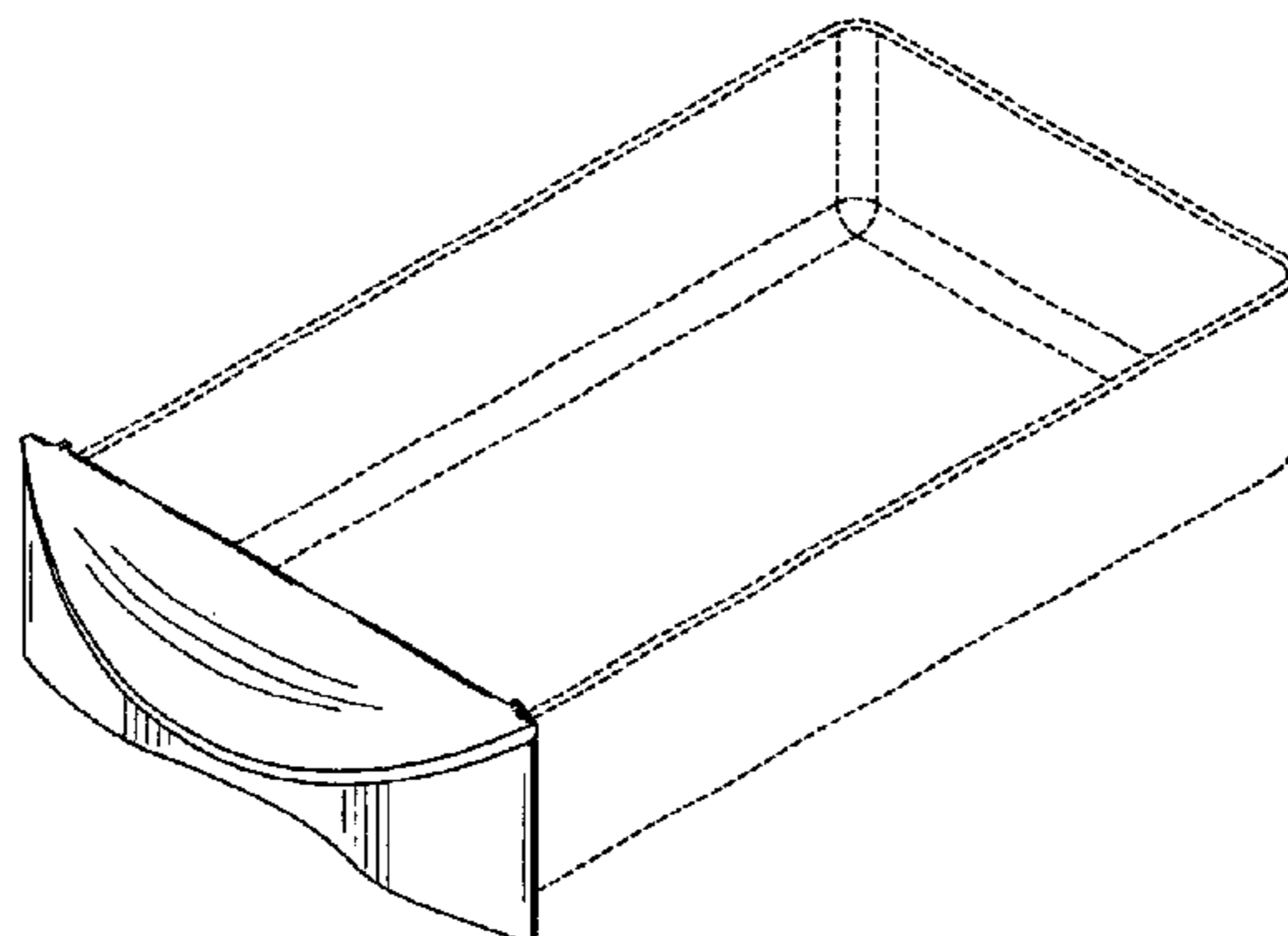
FIG. 19 is a top plan view of the drawer face shown in FIG. 15;

FIG. 20 is a bottom plan view of the drawer face shown in FIG. 15; and,

FIG. 21 is a perspective view of the drawer face shown in FIG. 15.

The broken lines shown are for illustrative purposes only and form no part of the claimed design.

1 Claim, 21 Drawing Sheets



U.S. PATENT DOCUMENTS

D367,381 S * 2/1996 Licari D6/446
D390,733 S * 2/1998 Brunner et al. D6/510
5,841,361 A 11/1998 Hoffman
D402,529 S * 12/1998 Husted D8/313
D410,230 S * 5/1999 Witte D6/432
D458,780 S * 6/2002 Siepmann et al. D6/510
D462,674 S * 9/2002 Siepmann et al. D14/183
D481,847 S * 11/2003 Van Ledingham, Jr. D6/446
D482,173 S * 11/2003 Van Ledingham, Jr. D6/446

FOREIGN PATENT DOCUMENTS

DE 297 01 427 U 3/1997
DE 196 42 523 A 5/1997
WO WO 01/97745 A 12/2001
WO WO 03/013307 A 2/2003

OTHER PUBLICATIONS

Lionville Systems, Inc., Cart::Healthcare, http://www.lionville.com/carts_healthcare.html.

Lionville Systems, Inc., Carts::Mobile Computing, http://www.lionville.com/carts_mobile.html.

Lionville Systems, Inc., Carts::Anesthesia, http://www.lionville.com/carts_anesthesia.html.

Lionville Systems, Inc., Carts::Pharmacy Transfer, http://www.lionville.com/carts_pharmatransfer.html.

Lionville Systems, Inc., Carts::Extended Care, http://www.lionville.com/carts_extendedcare.html.

Lionville Systems, Inc., Carts, <http://www.lionville.com>.

Lionville Systems, Inc., Carts::Acute Care, http://www.lionville.com/carts_acute.html.

Lionville Systems, Inc., Carts, <http://www.lionville.com/carts.html>.

Lionville Systems, Inc., iCarts™ Brochure.

Lionville Systems, Inc., Medication Carts Brochure (400 Series, 600 Series, 800 Series).

Lionville Systems, Inc., Anesthesia Cart Brochure.

Lionville Systems, Inc., Medication Carts Brochure.

Lionville Systems, Inc., Healthcare Carts Brochure.

* cited by examiner

Fig. 1



Fig. 2



Fig. 3

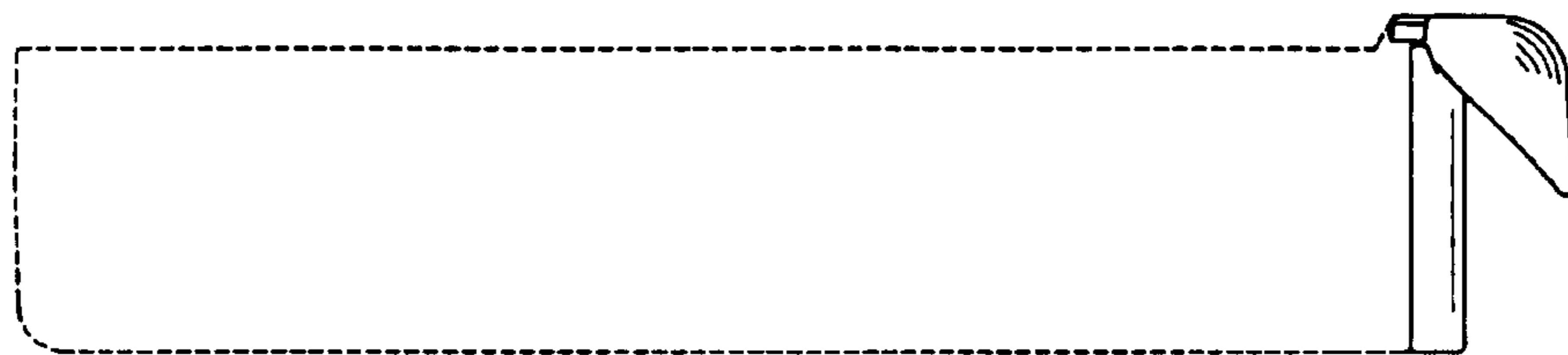


Fig. 4



Fig. 5

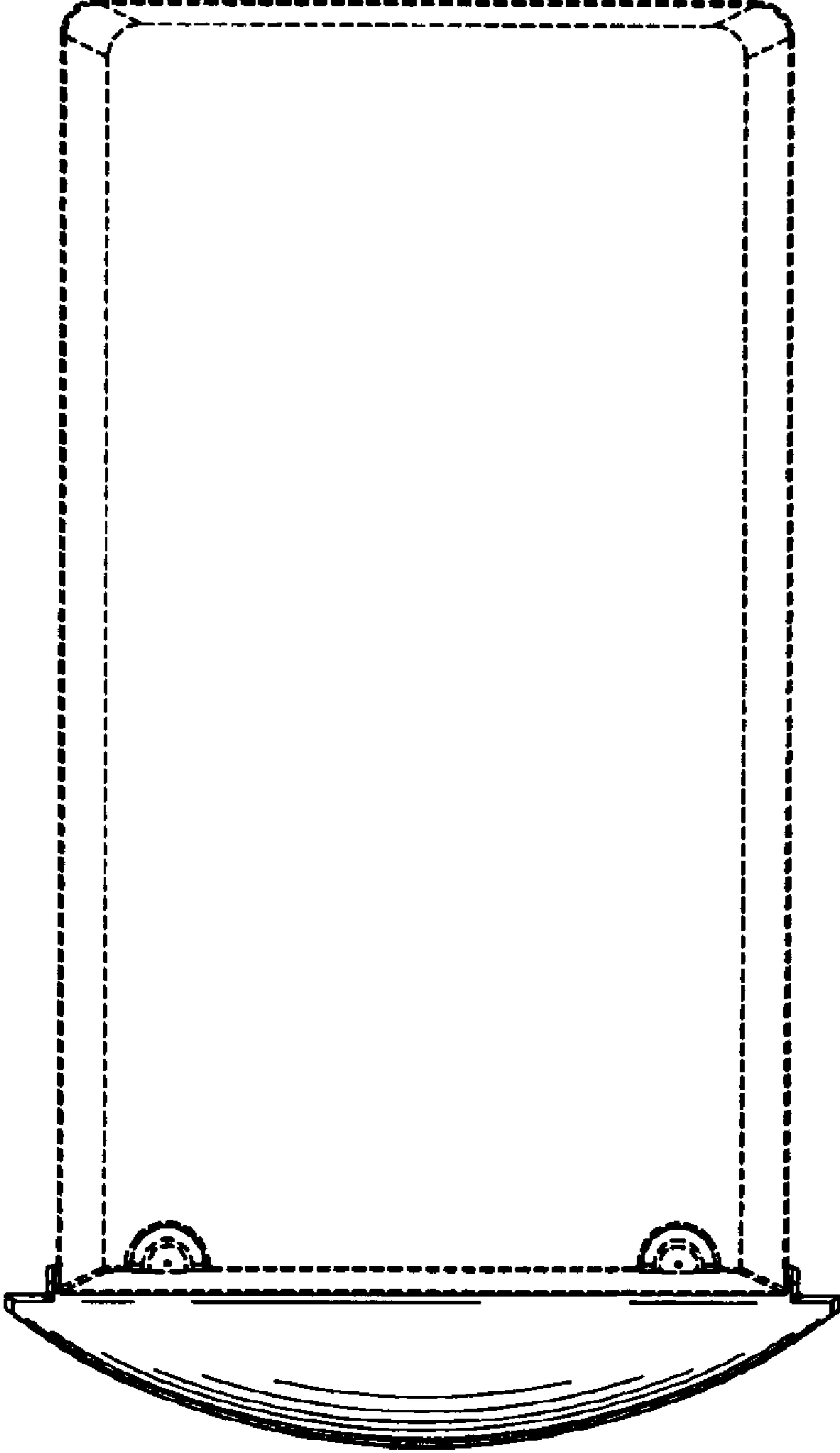


Fig. 6

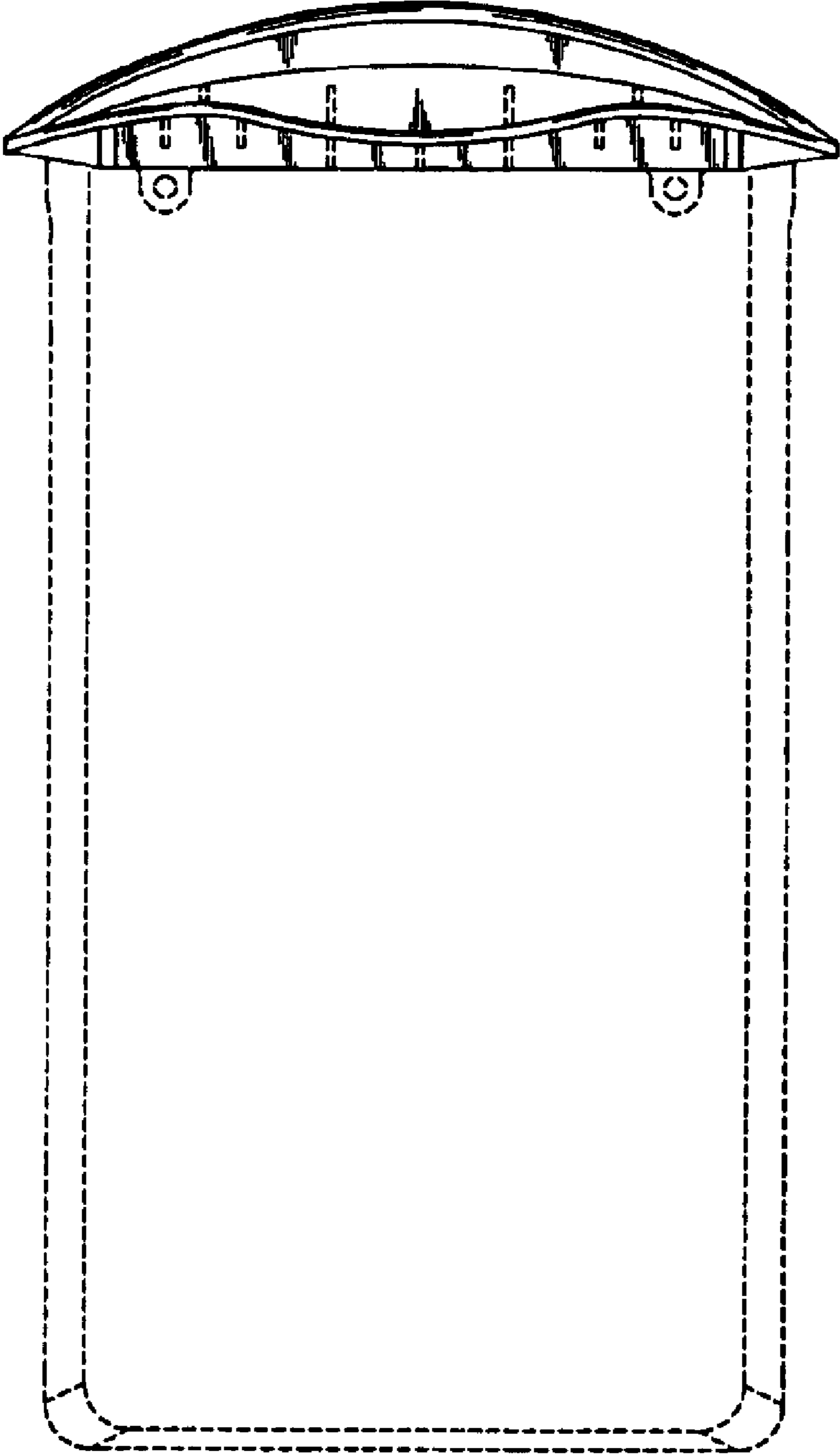


Fig. 7

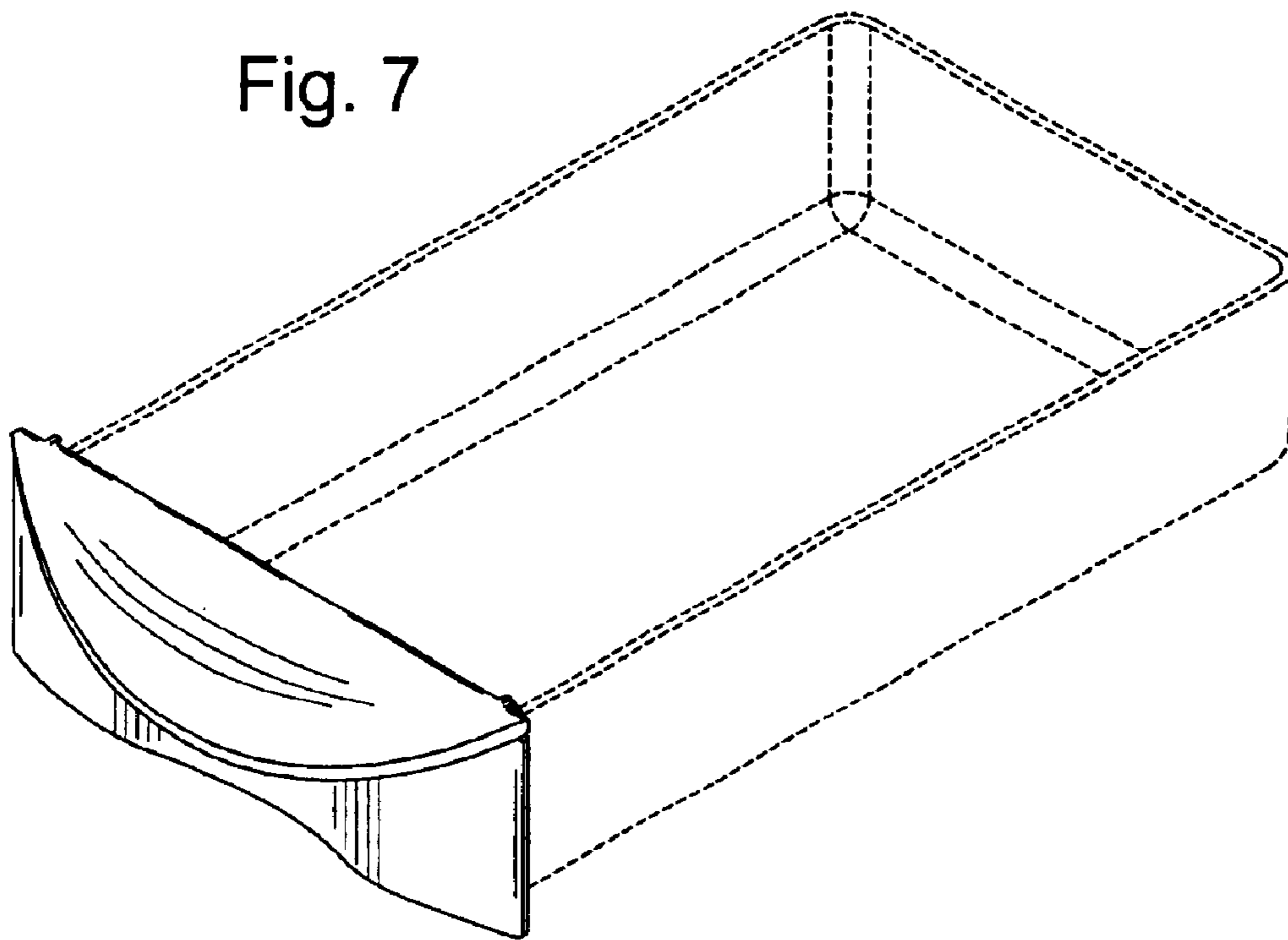


Fig. 8

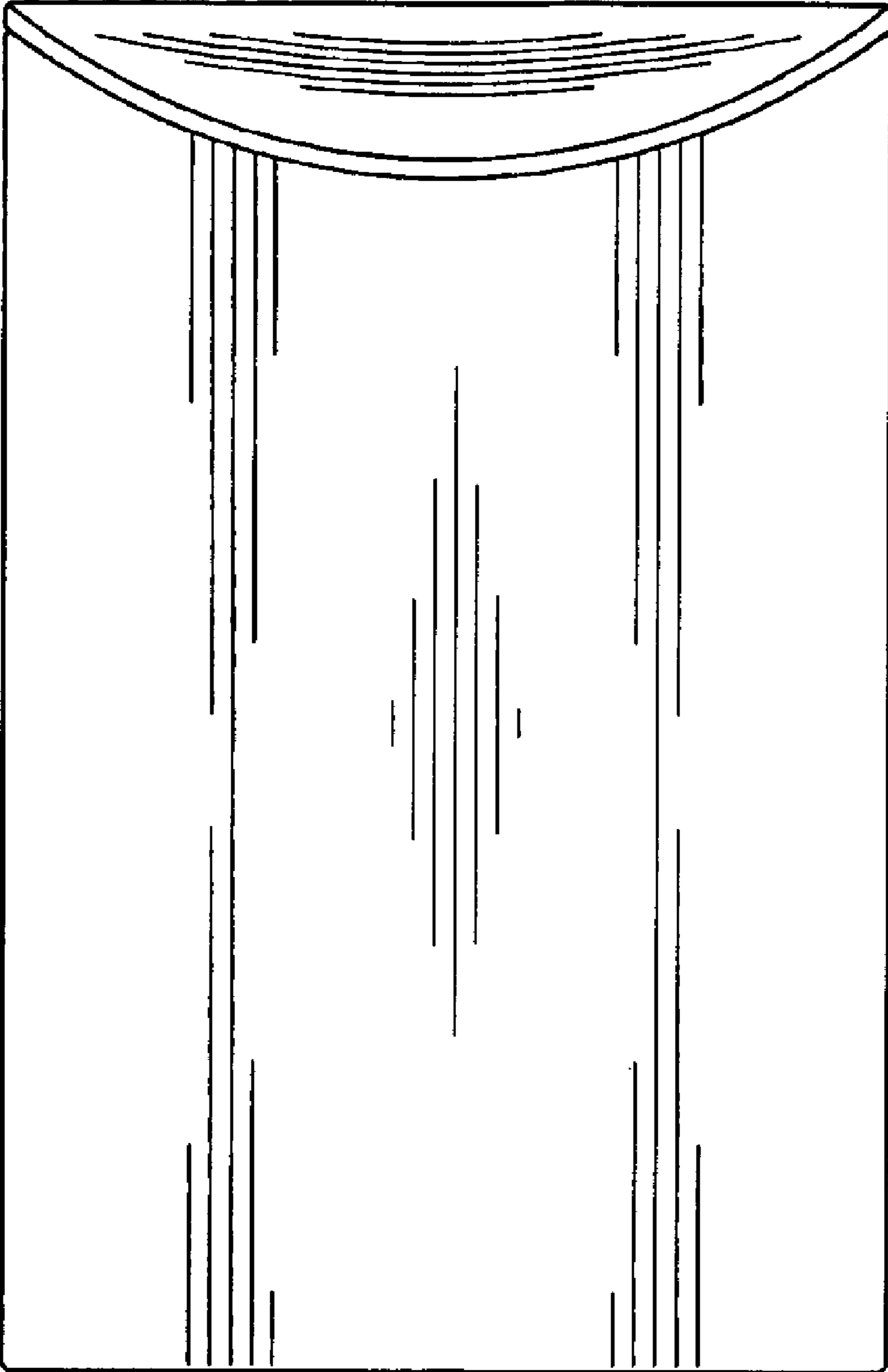


Fig. 9

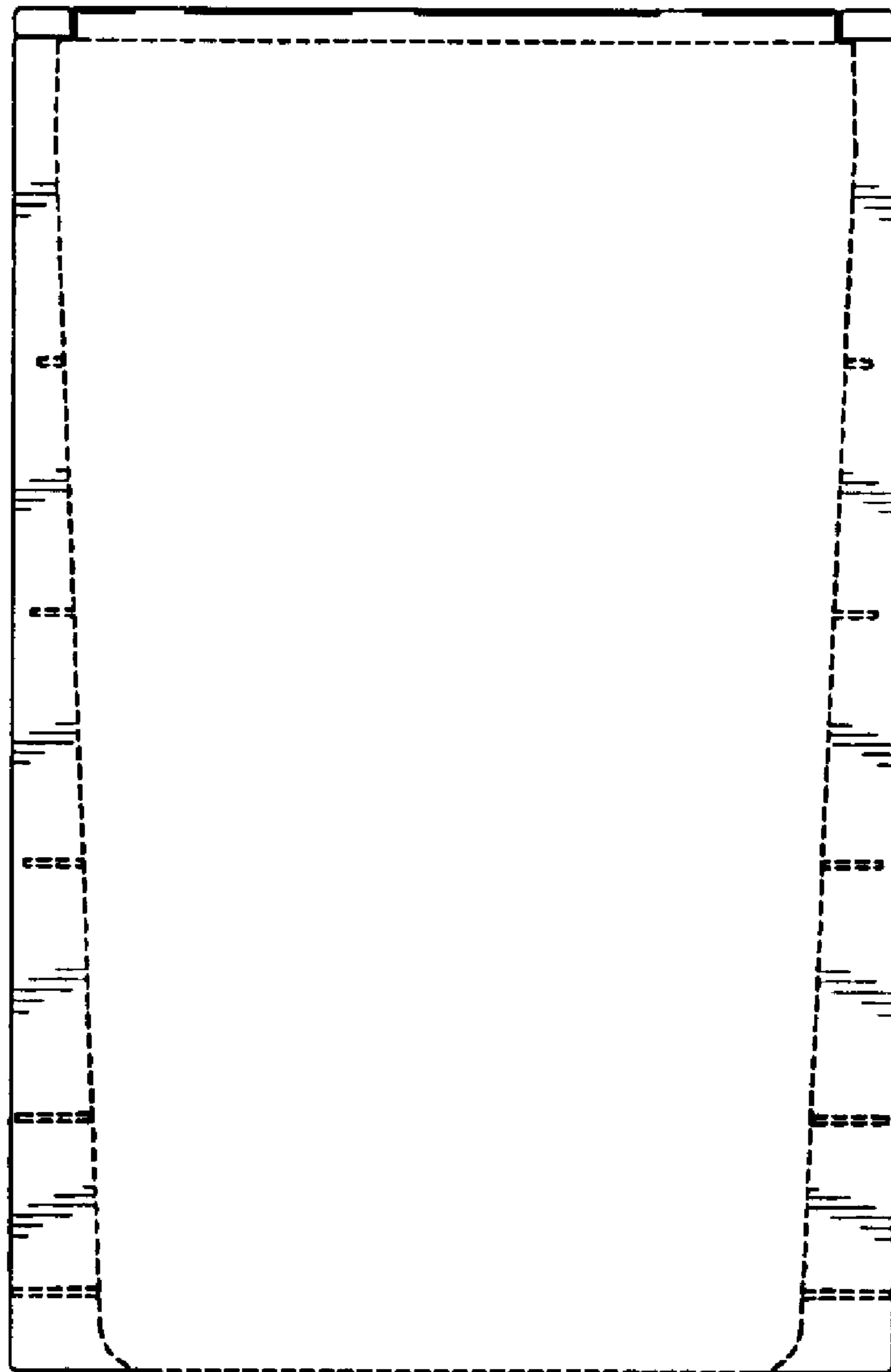


Fig. 10

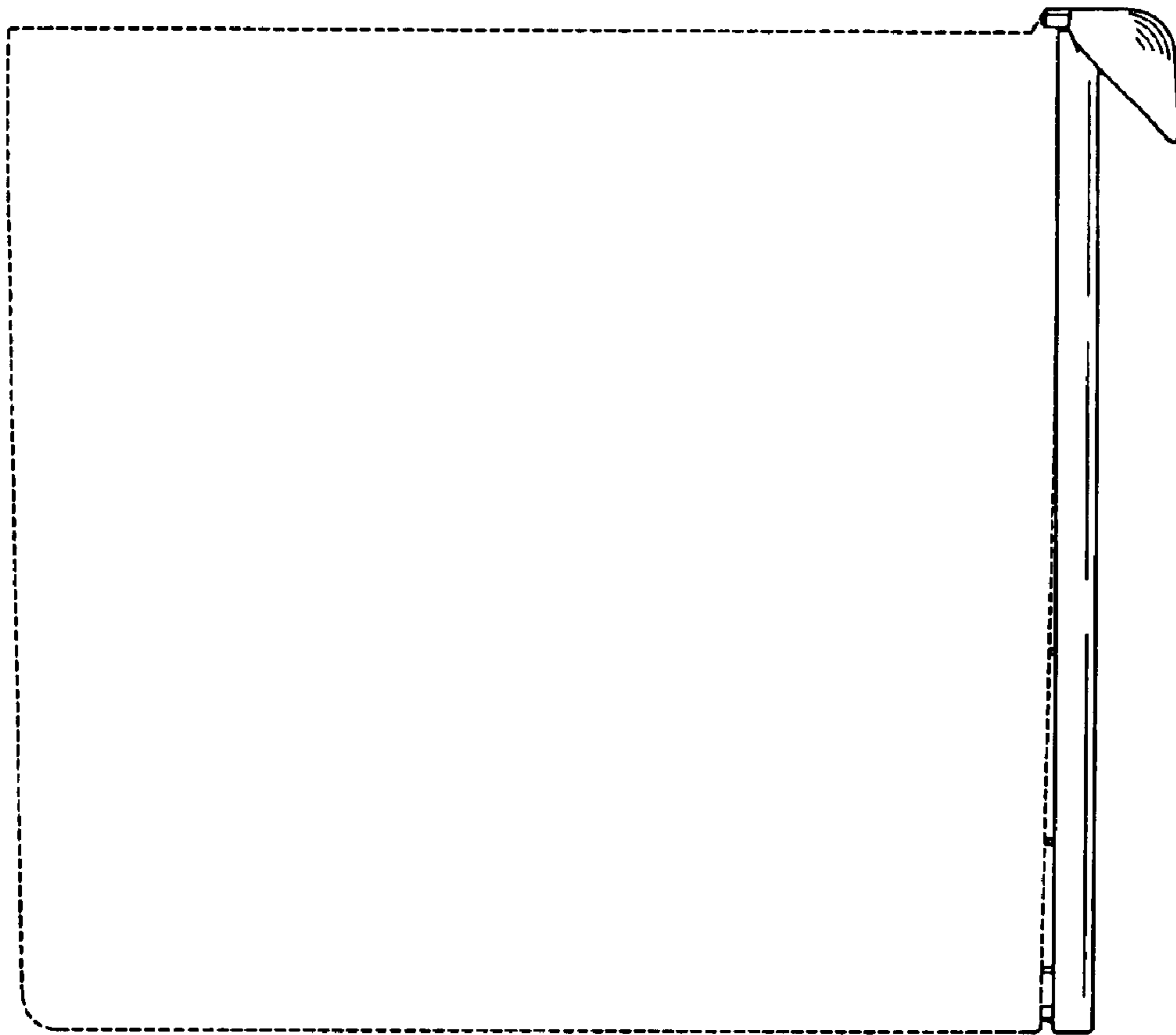


Fig. 11

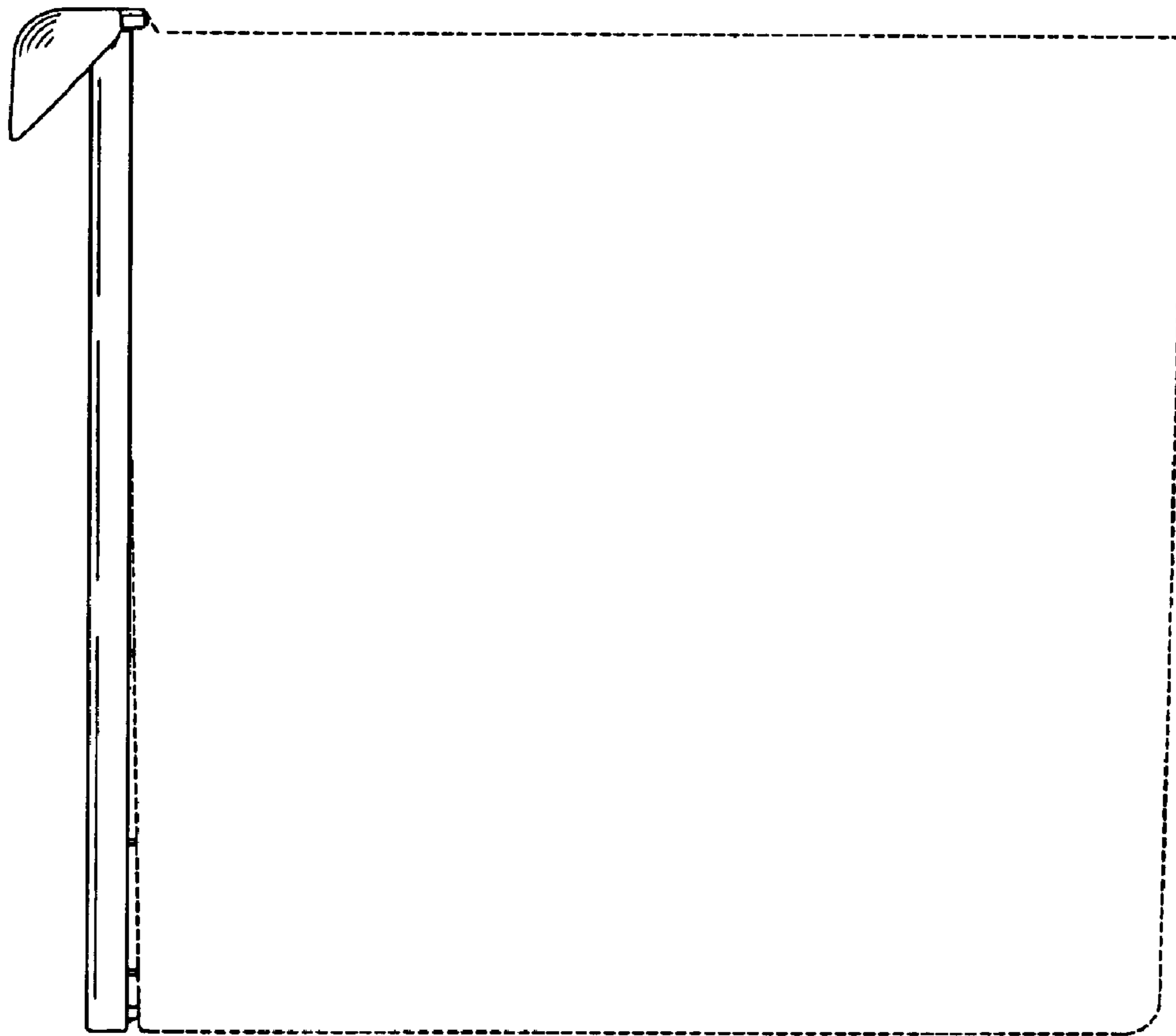


Fig. 12

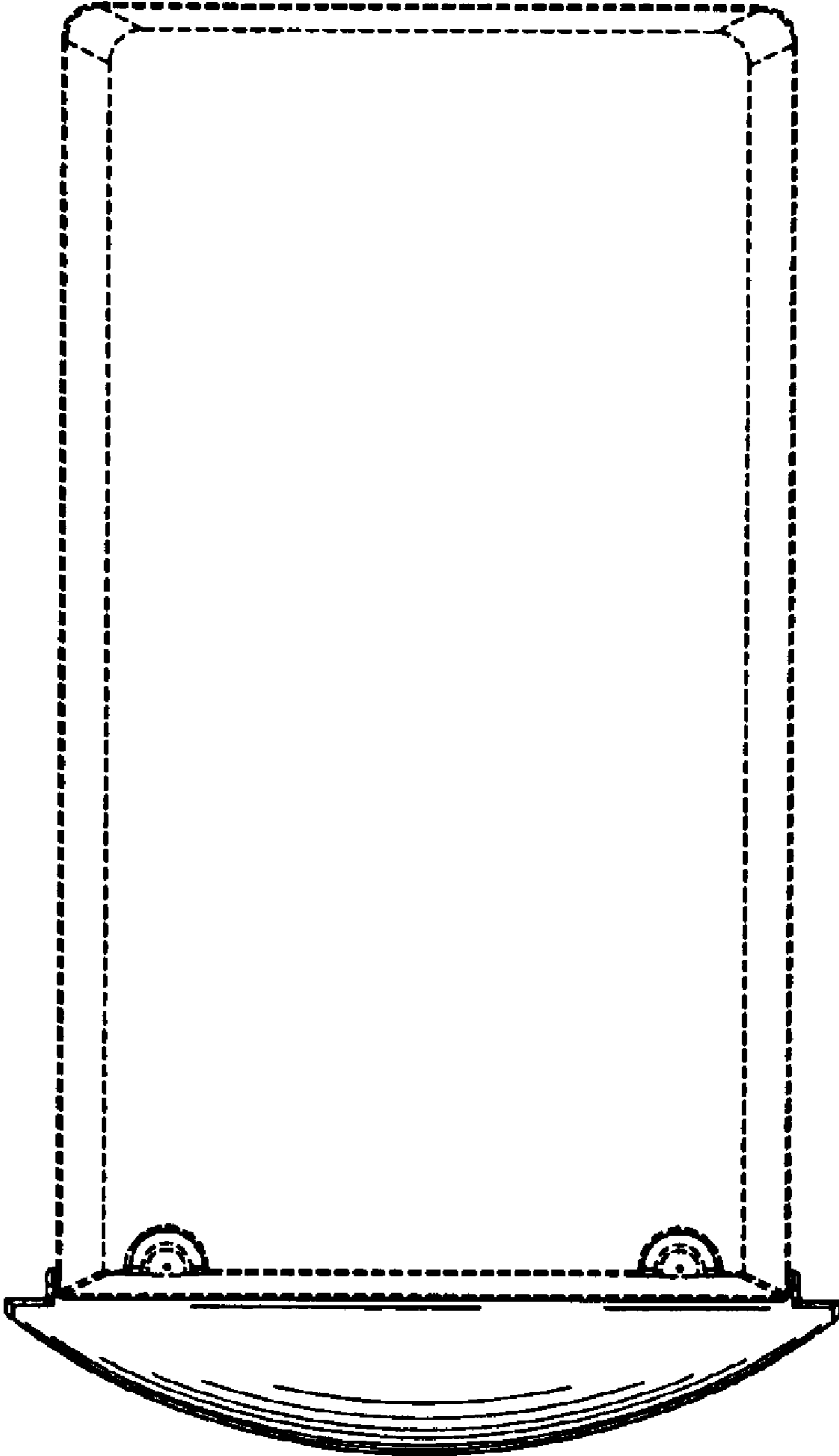


Fig. 13

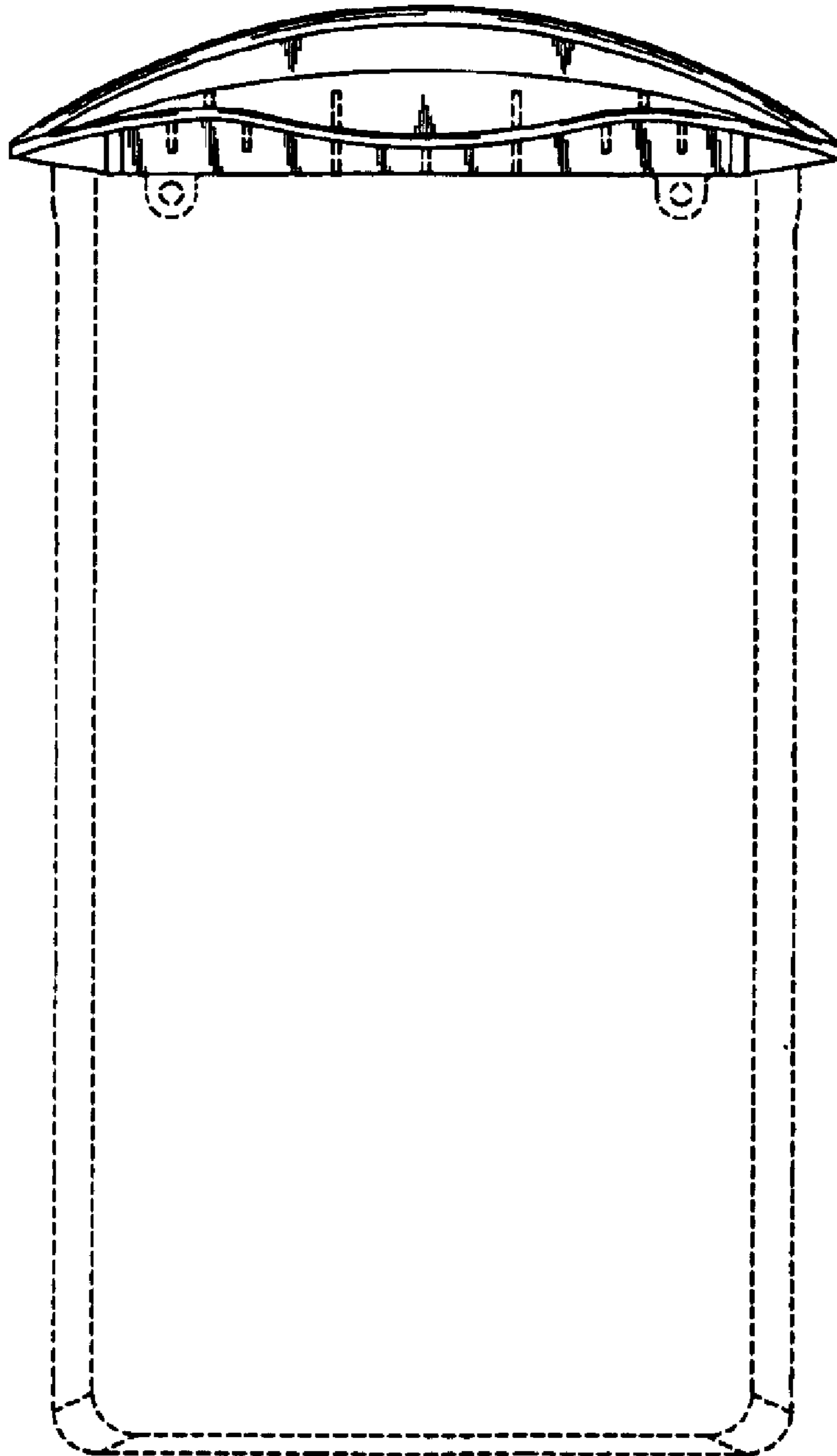


Fig. 14

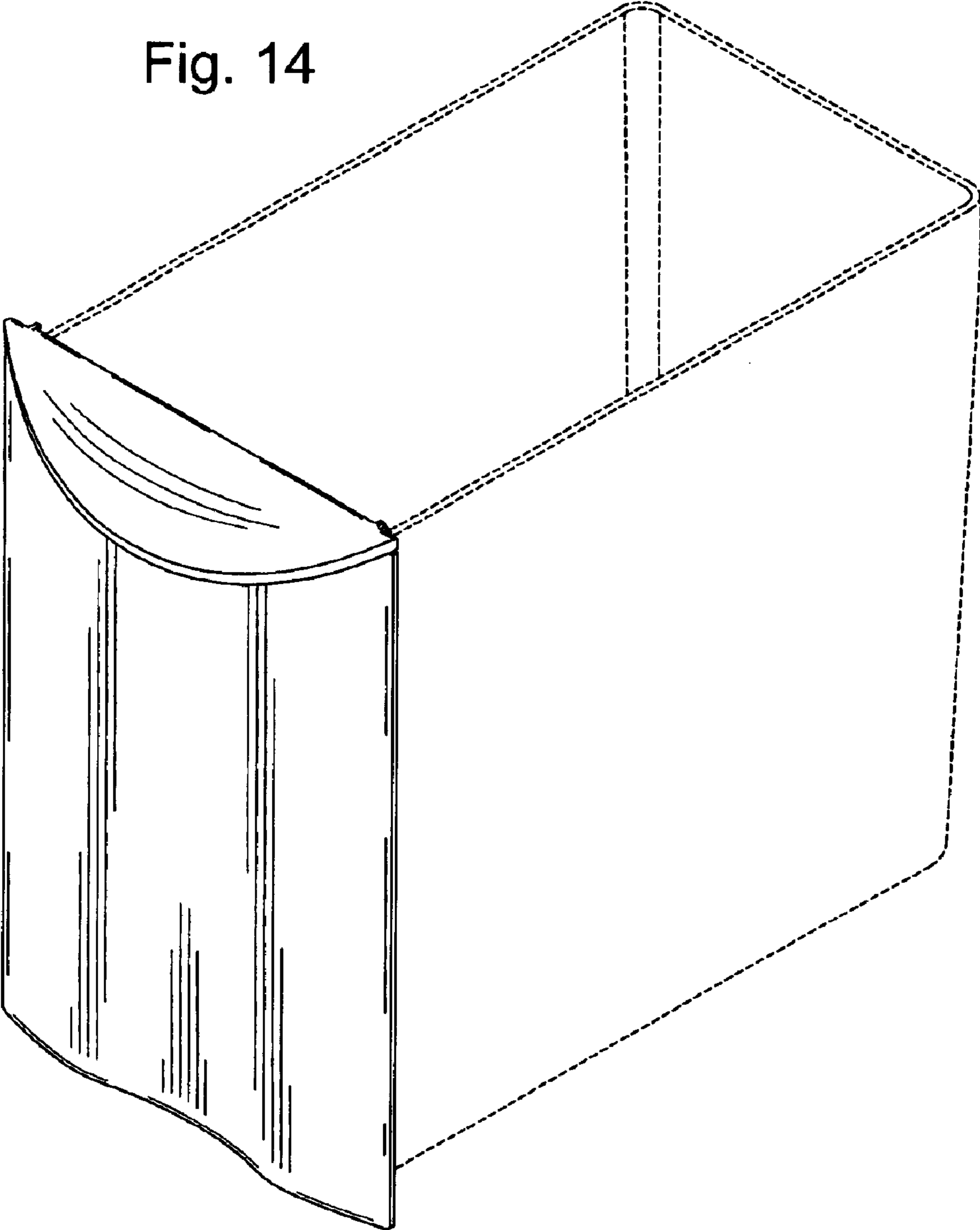


Fig. 15

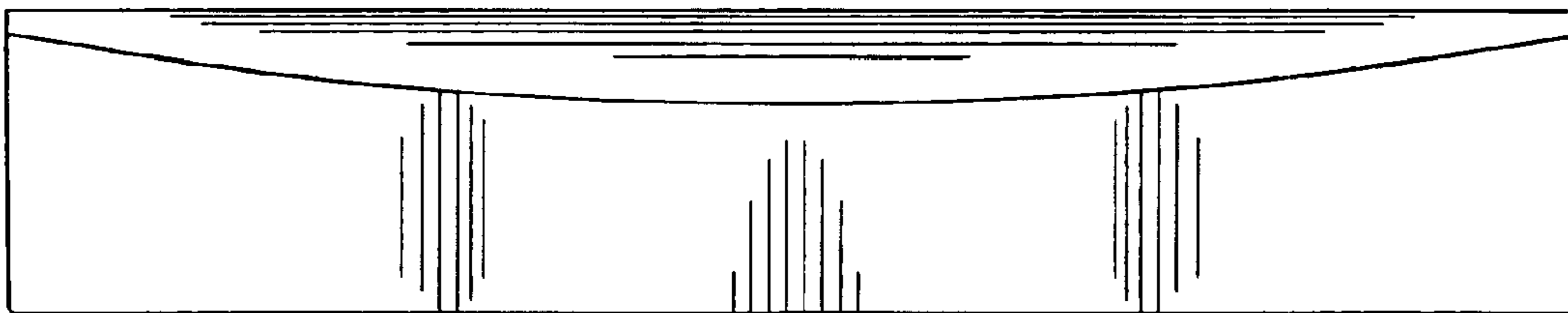


Fig. 16

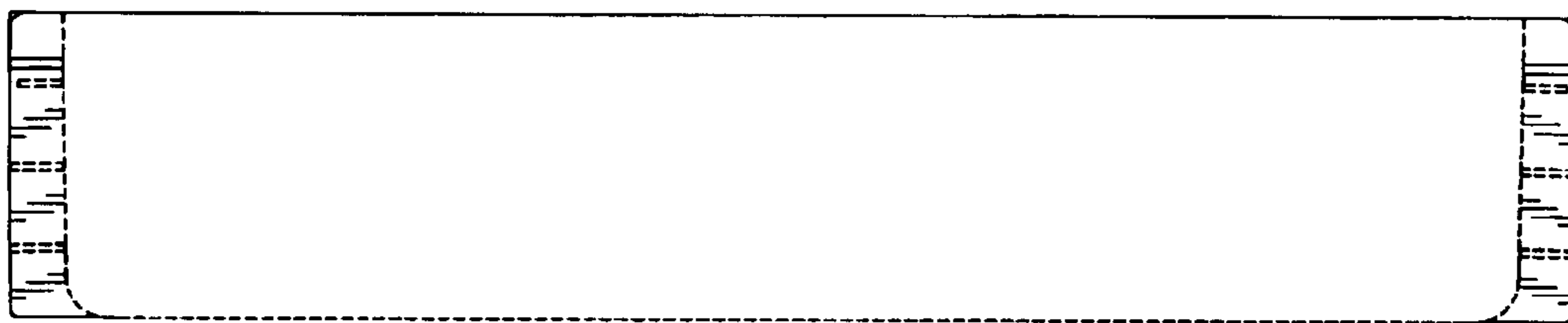


Fig. 17



Fig. 18



Fig. 19

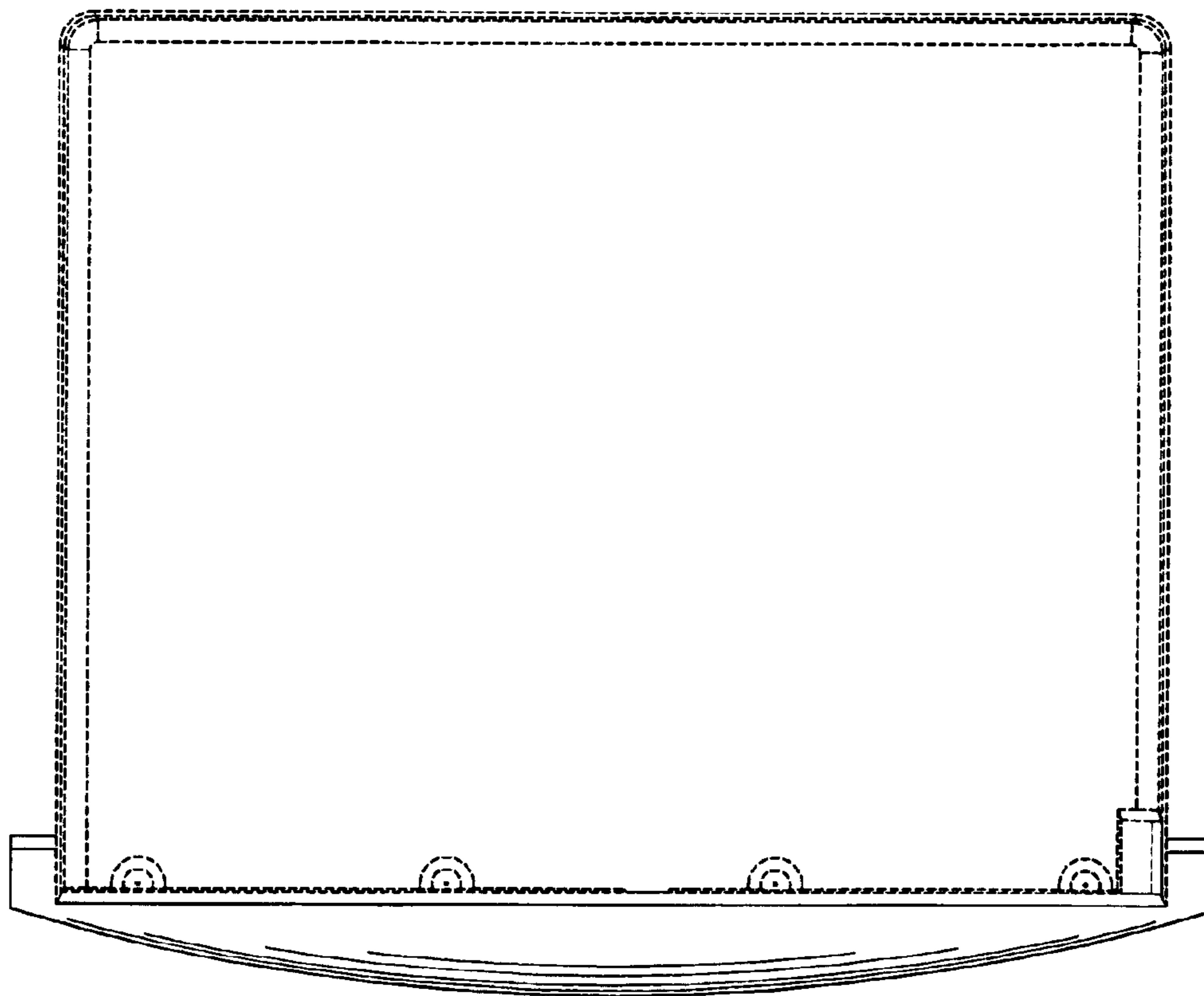


Fig. 20

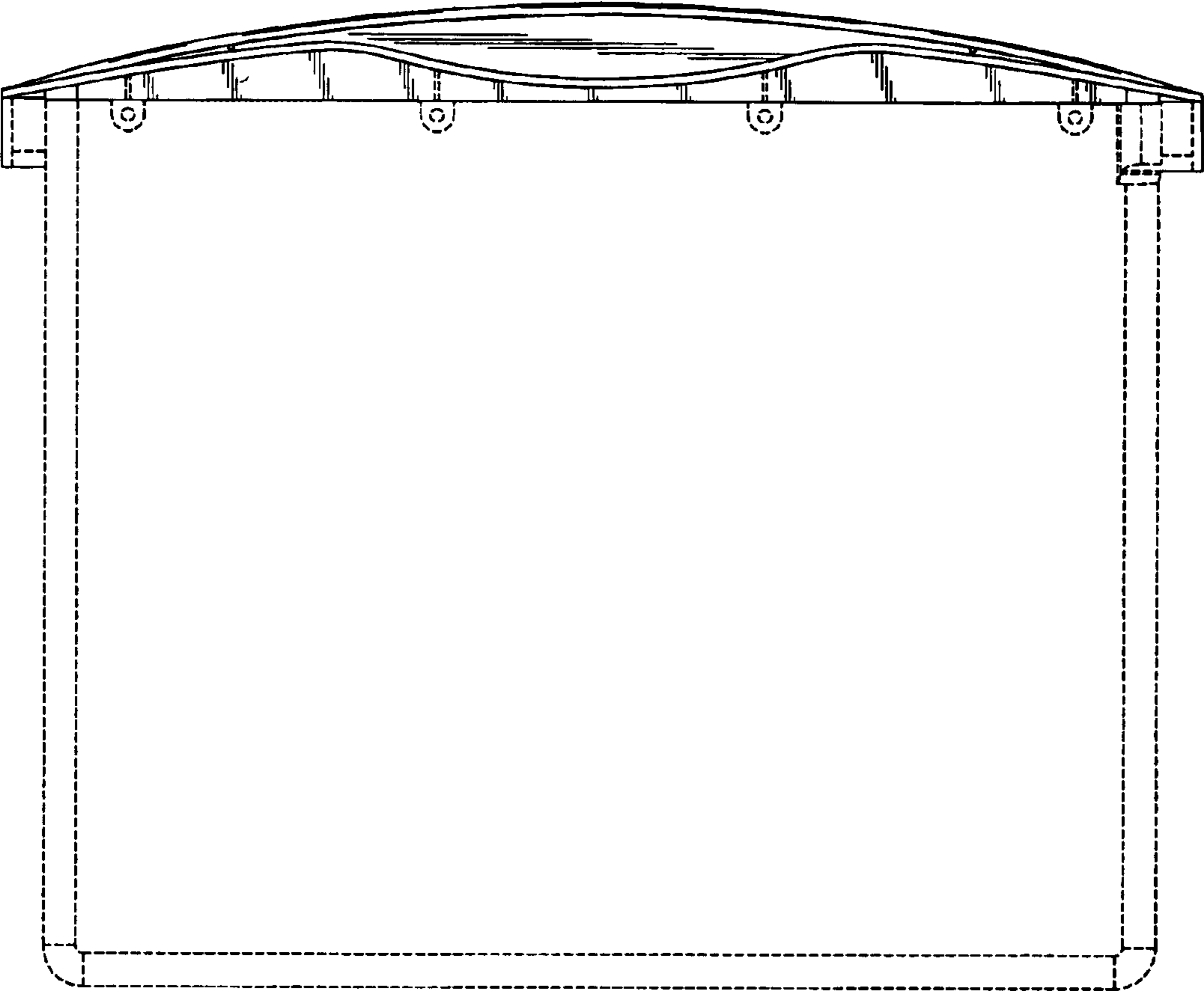


Fig. 21

