

US00D504257S

(12) **United States Design Patent**  
**Mohundro**

(10) **Patent No.:** **US D504,257 S**

(45) **Date of Patent:** **\*\* Apr. 26, 2005**

(54) **BED FOOTBOARD**

(75) **Inventor:** **James Glenn Mohundro, Taichung (TW)**

(73) **Assignee:** **Pacific Marketing International (H.K.), Ltd., Taichung (TW)**

(\*\*) **Term:** **14 Years**

(21) **Appl. No.:** **29/203,341**

(22) **Filed:** **Apr. 14, 2004**

(51) **LOC (7) Cl.** ..... **06-02**

(52) **U.S. Cl.** ..... **D6/505**

(58) **Field of Search** ..... D6/382-384, 388, D6/389, 392-395, 505, 508; 5/53.1, 9.1, 279.1, 280, 281, 907, 310

(56) **References Cited**

**U.S. PATENT DOCUMENTS**

D116,244 S \* 8/1939 Shurcliff ..... D6/393  
2,933,737 A \* 4/1960 Schiffmann ..... 5/308

D231,964 S \* 7/1974 McLaughlin ..... D6/505  
D344,643 S \* 3/1994 Rosen ..... D6/393  
D414,622 S \* 10/1999 Vaaler ..... D6/393

\* cited by examiner

*Primary Examiner*—Janice E. Seeger

(74) *Attorney, Agent, or Firm*—Rosenberg, Klein & Lee

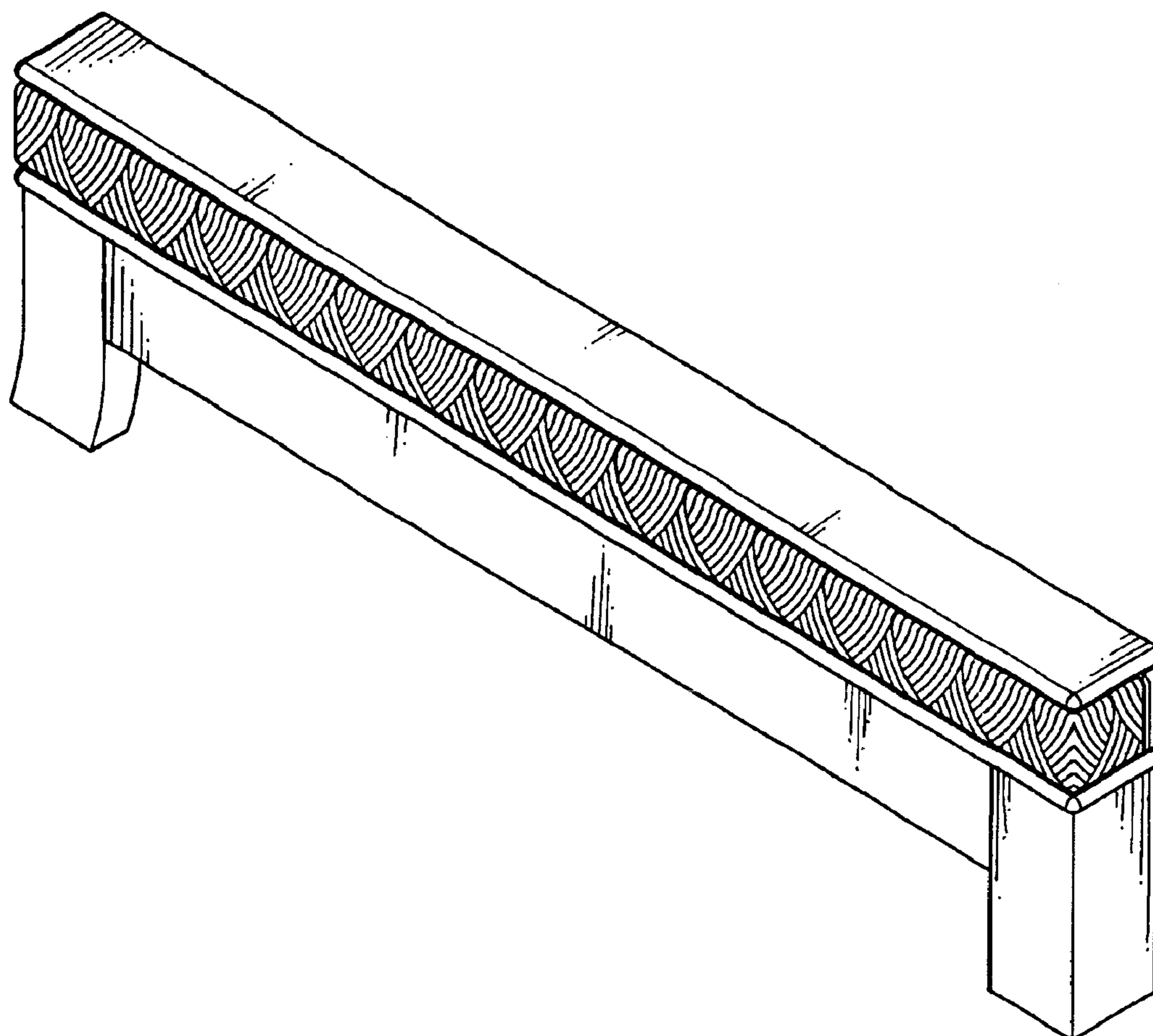
(57) **CLAIM**

The ornamental design for a bed footboard, as shown and described.

**DESCRIPTION**

FIG. 1 is a perspective view of a bed footboard, showing my new design;  
FIG. 2 is a front elevational view thereof;  
FIG. 3 is a rear elevational view thereof;  
FIG. 4 is a left elevational view thereof; and  
FIG. 5 is a right elevational view thereof;  
FIG. 6 is a top plan view thereof; and  
FIG. 7 is a bottom plan view thereof.

**1 Claim, 4 Drawing Sheets**



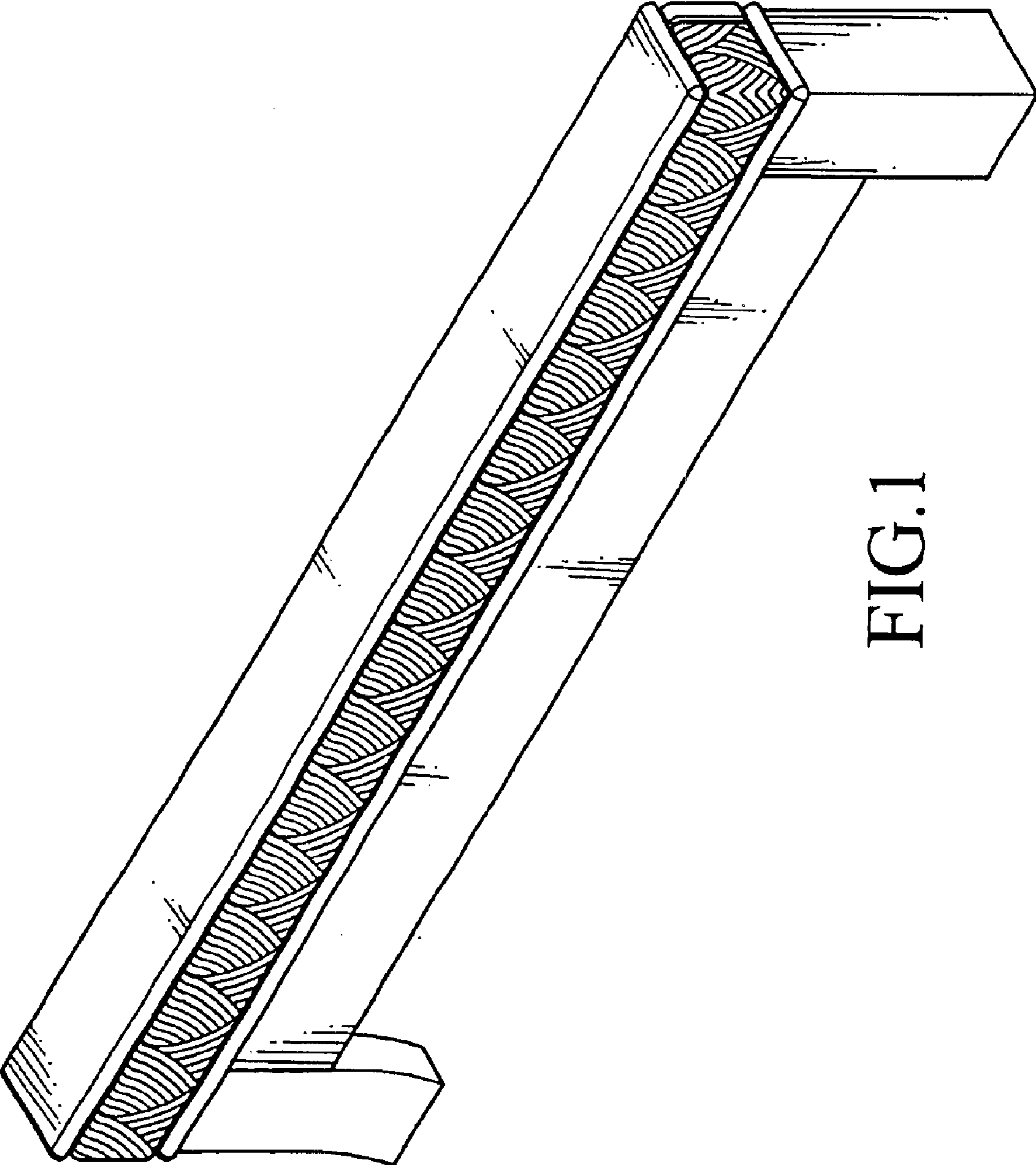


FIG.1

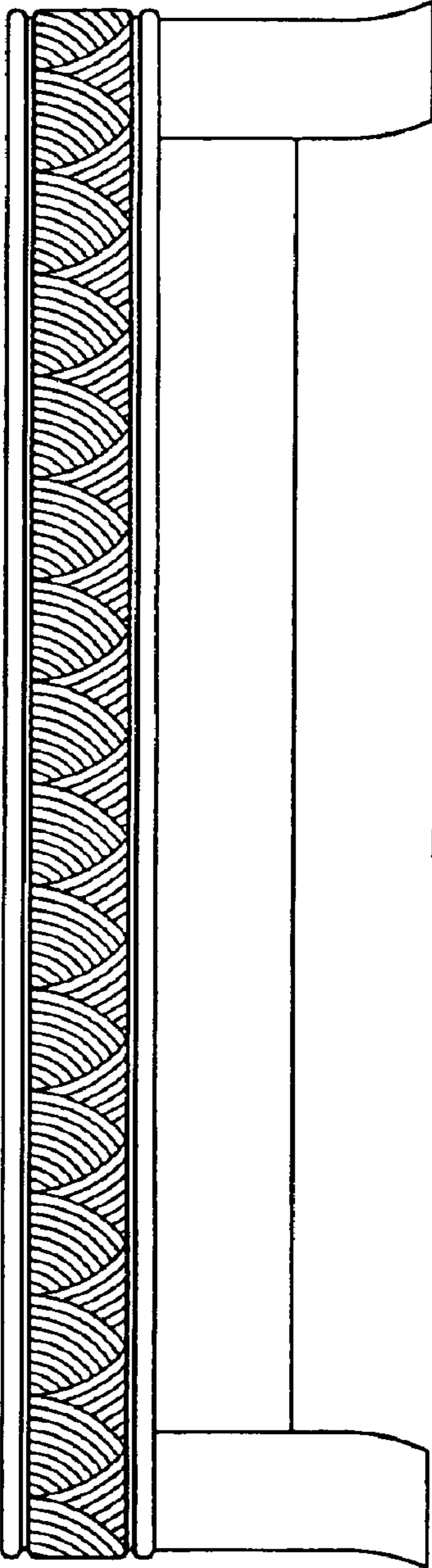


FIG. 2

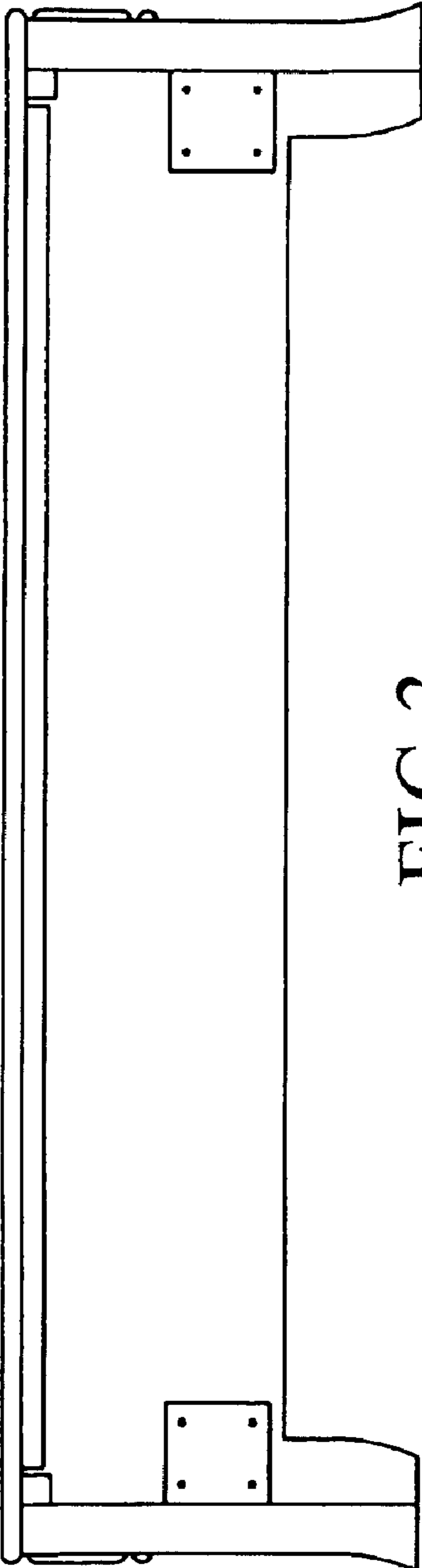


FIG. 3

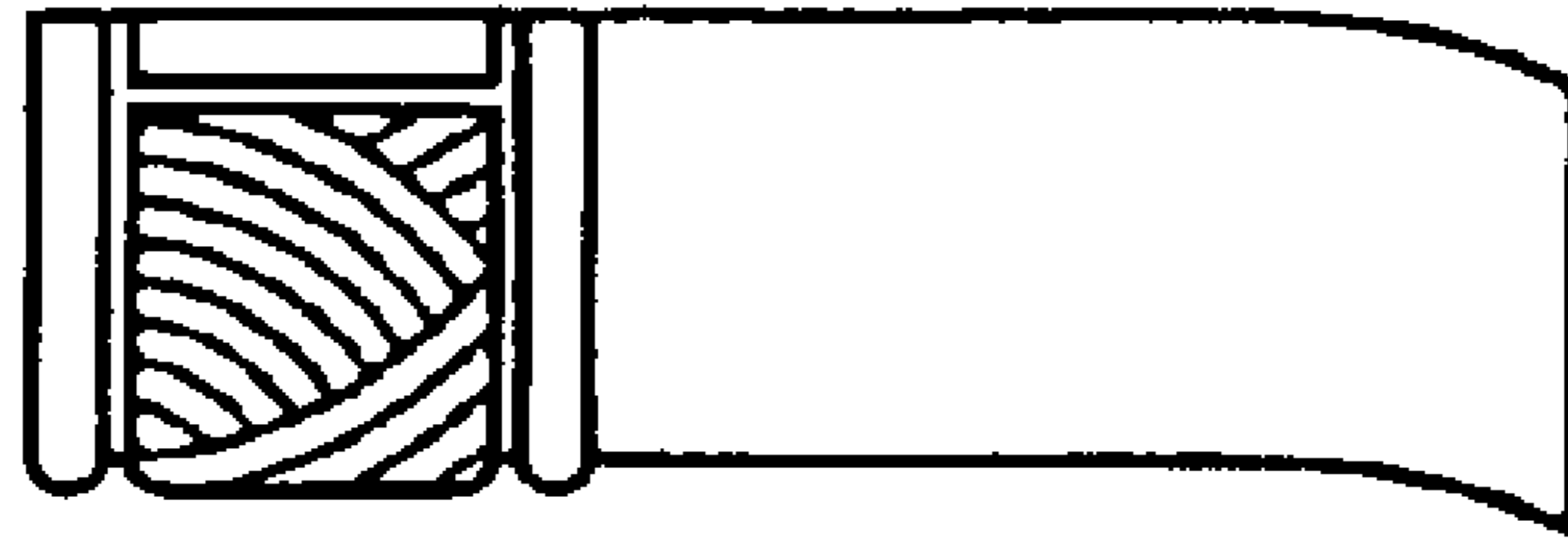


FIG. 5

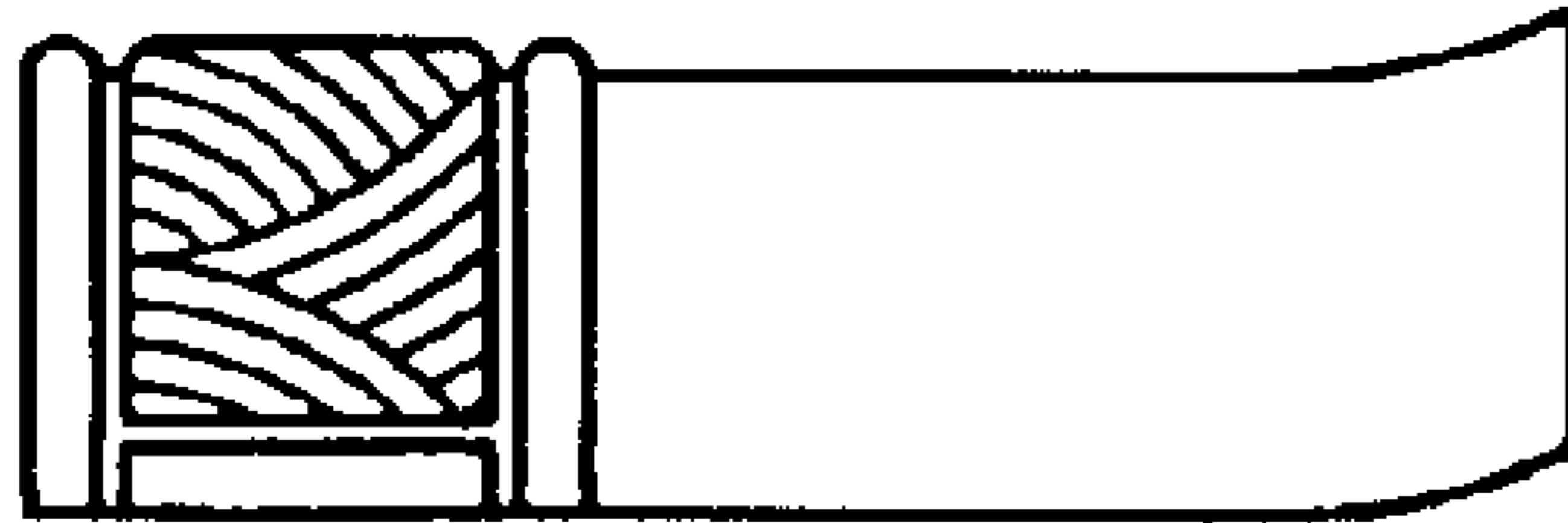


FIG. 4

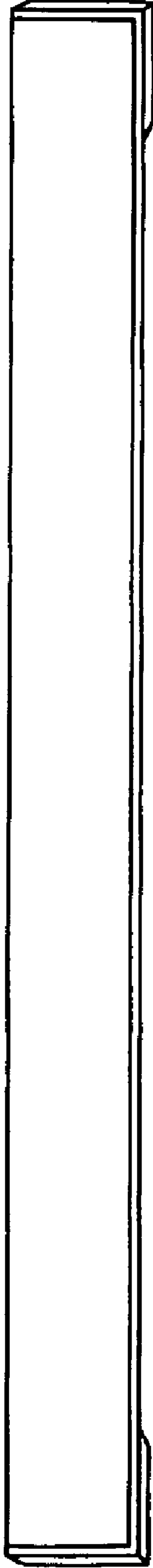


FIG. 6



FIG. 7