

US00D504256S

(12) **United States Design Patent** (10) **Patent No.:** **US D504,256 S**
Ritossa et al. (45) **Date of Patent:** **** Apr. 26, 2005**

(54) **BED END COVER**

(75) Inventors: **Patrick Ritossa**, Euclid, OH (US);
Howard Loewenthal, Hinckley, OH (US);
Andrew Spriegel, Avon, OH (US)

(73) Assignee: **Invacare Corporation**, Elyria, OH (US)

(**) Term: **14 Years**

(21) Appl. No.: **29/192,663**

(22) Filed: **Oct. 27, 2003**

(51) **LOC (7) Cl.** **06-02**

(52) **U.S. Cl.** **D6/505**

(58) **Field of Search** D6/382, 388, 389,
D6/392-395, 505-508, 503; 5/53.1, 279.1,
280, 281, 907, 285, 310

(56) **References Cited**

U.S. PATENT DOCUMENTS

D174,017 S * 2/1955 Carr D6/505
D225,277 S * 11/1972 Leigh D6/505
D407,585 S * 4/1999 Burton D6/503

OTHER PUBLICATIONS

Invacare Home Care Beds and Bed-Related Products Manual, p. 1-2.

* cited by examiner

Primary Examiner—Janice E. Seeger
(74) *Attorney, Agent, or Firm*—Calfee, Halter & Griswold LLP

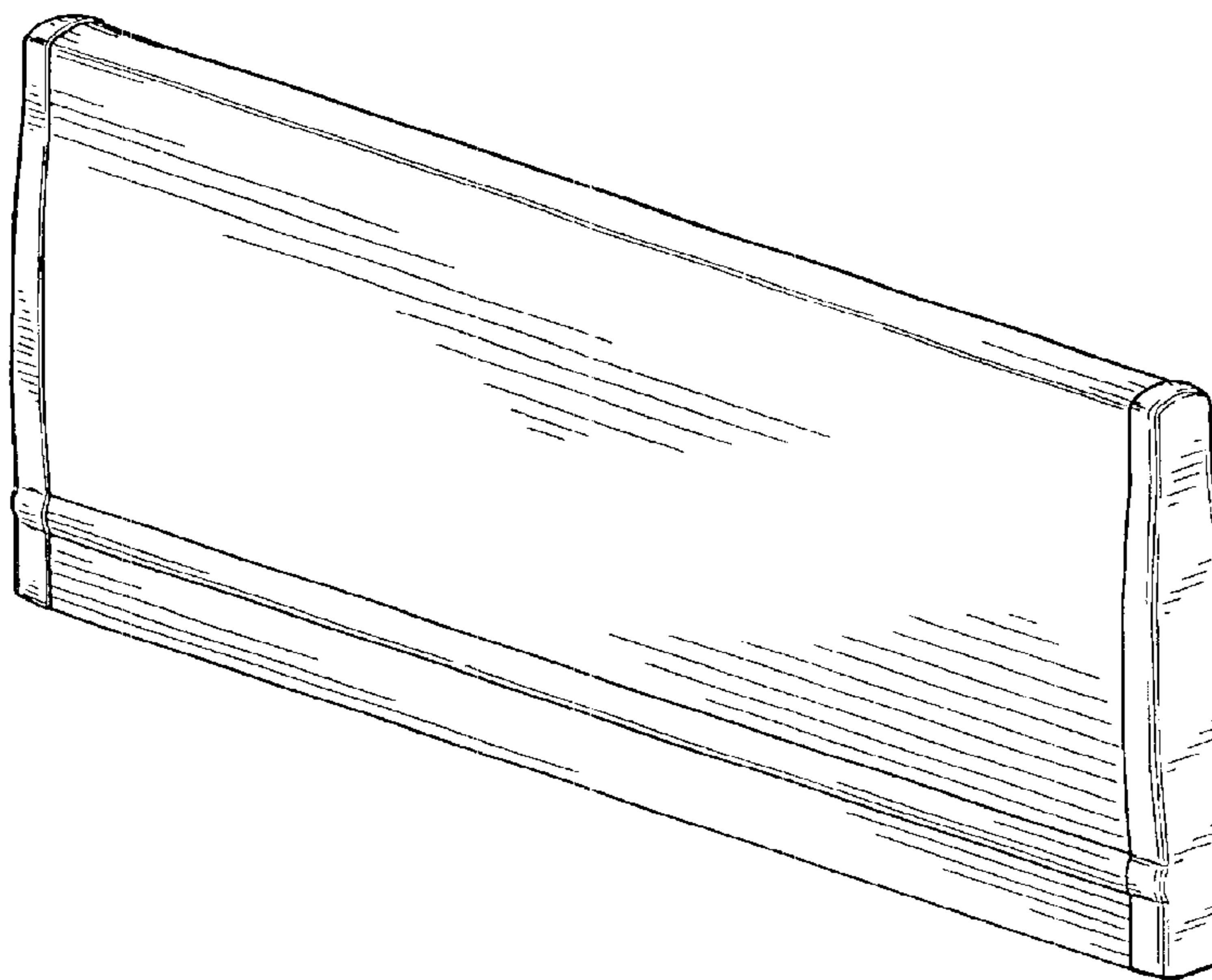
(57) **CLAIM**

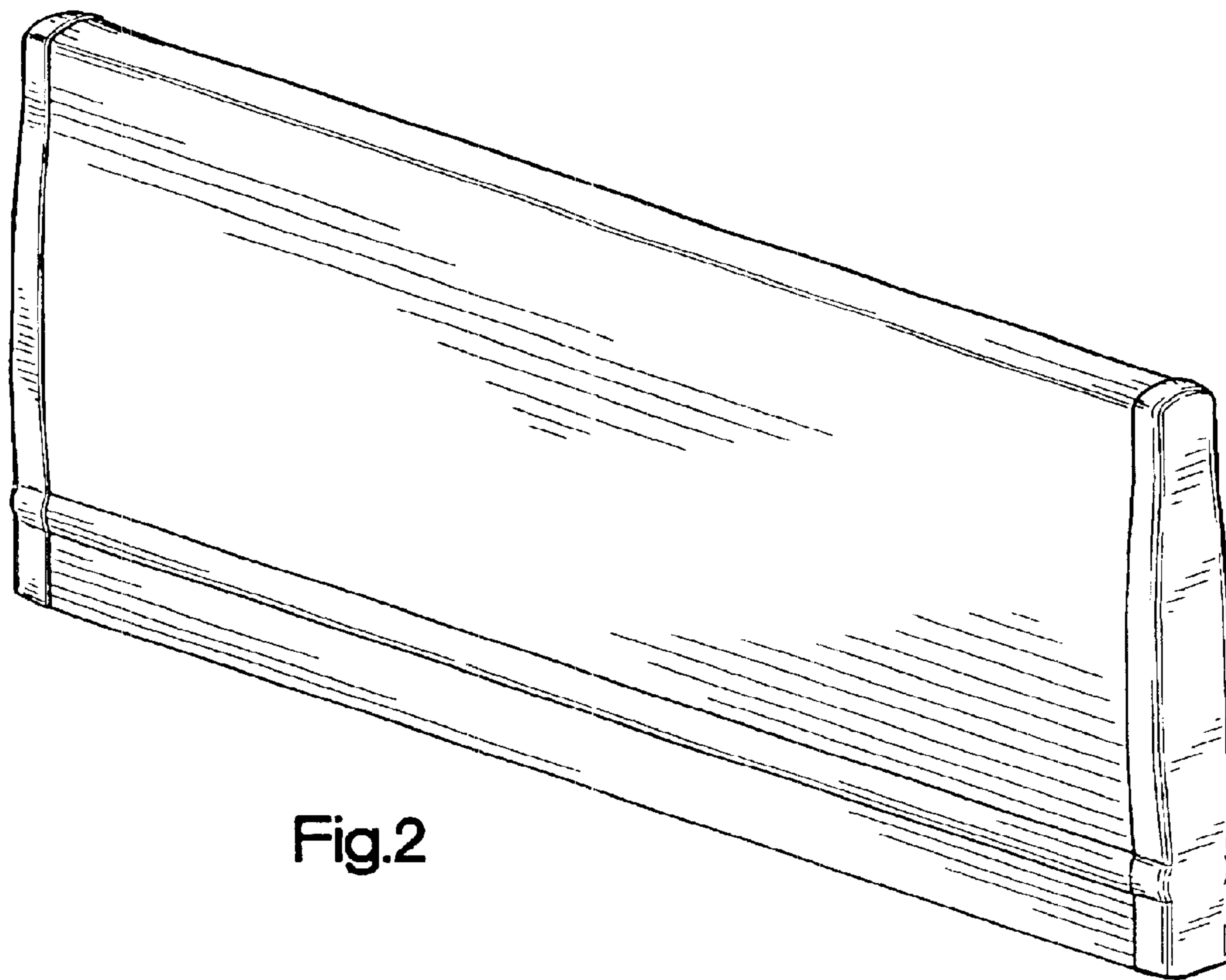
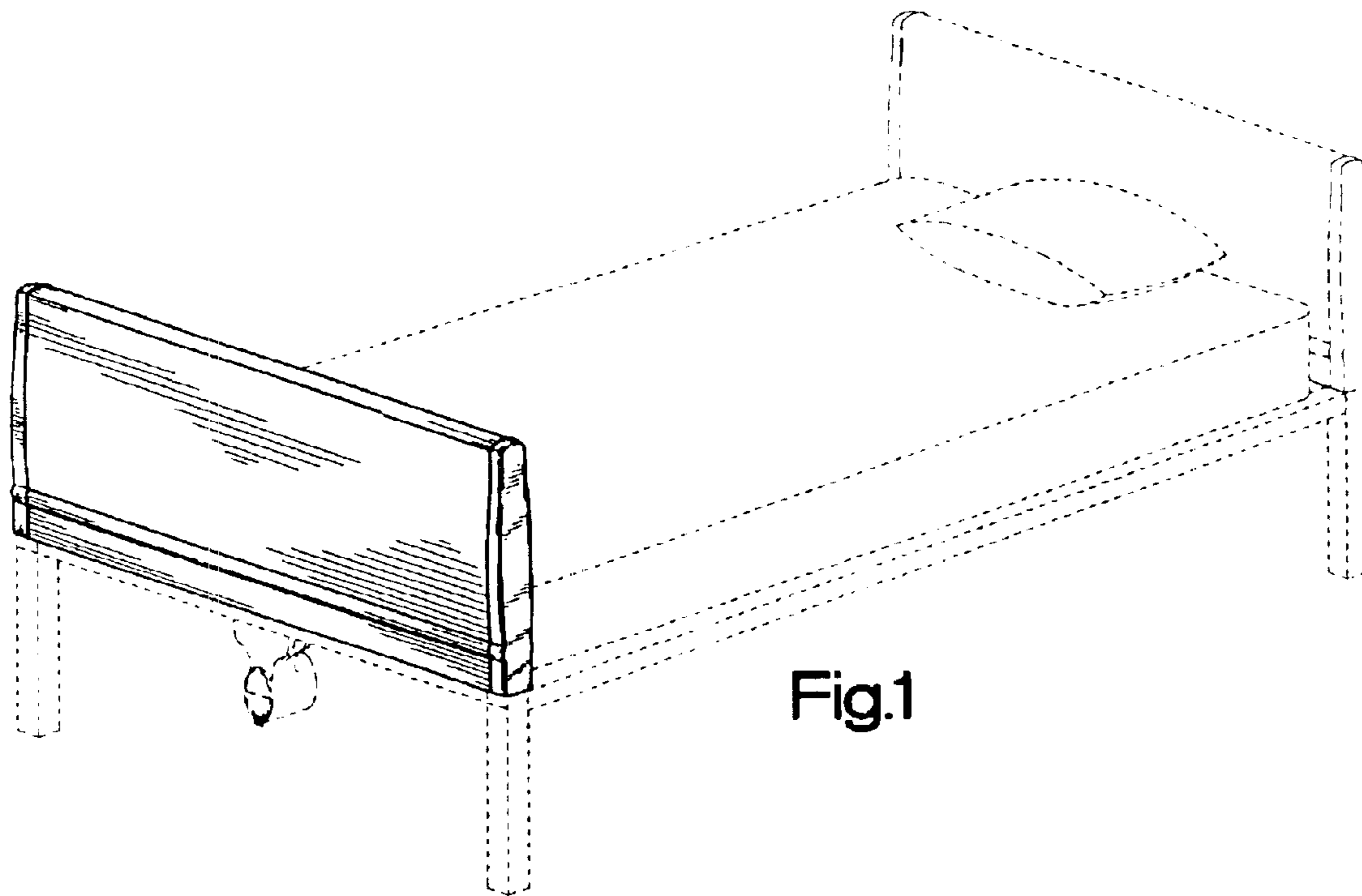
The ornamental design for a bed end cover, as shown and described.

DESCRIPTION

FIG. 1 is a perspective view of a bed end cover showing the new design;
FIG. 2 is an enlarged perspective view of the bed end cover of FIG. 1;
FIG. 3 is a left side view of the bed end cover of FIG. 1, the right side view being the same;
FIG. 4 is a front view of the bed end cover of FIG. 1, the back view being a mirror image;
FIG. 5 is a top view of the bed end cover of FIG. 1;
FIG. 6 is a bottom view of the bed end cover of FIG. 1;
FIG. 7 is a perspective view of a second embodiment of the bed end cover of the new design;
FIG. 8 is an enlarged perspective view of the bed end cover of FIG. 7;
FIG. 9 is a left side view of the bed end cover of FIG. 7, the right side view being a mirror image;
FIG. 10 is a front view of the bed end cover of FIG. 7, the back view being a mirror image;
FIG. 11 is a top view of the bed end cover of FIG. 7;
FIG. 12 is a bottom view of the bed end cover of FIG. 7;
FIG. 13 is a perspective view of a third embodiment of the bed end cover of the new design;
FIG. 14 is an enlarged perspective view of the bed end cover of FIG. 13;
FIG. 15 is a left side view of the bed end cover of FIG. 13, the right side view being a mirror image;
FIG. 16 is a front view of the bed end cover of FIG. 13, the back view being a mirror image;
FIG. 17 is a top view of the bed end cover of FIG. 13; and,
FIG. 18 is a bottom view of the bed end cover of FIG. 13.
The portions of the Figures shown in phantom lines are not part of the claimed design but are for illustration only.

1 Claim, 6 Drawing Sheets





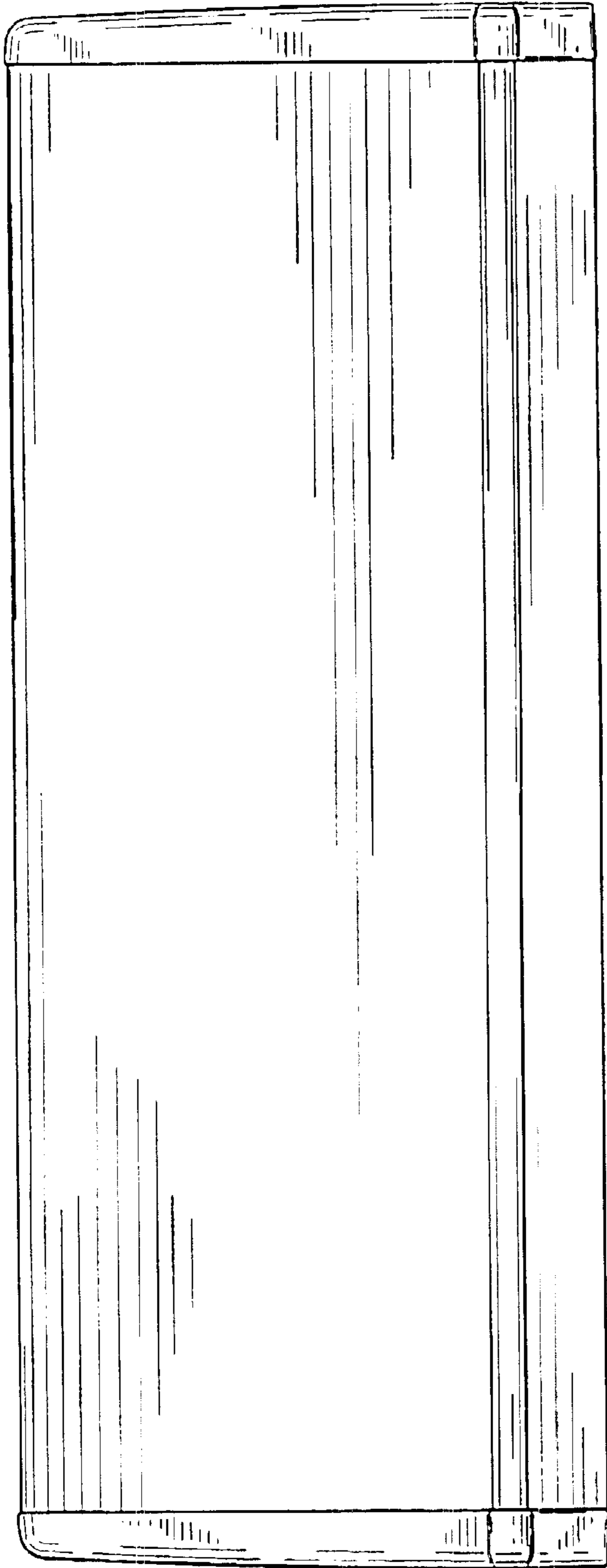


Fig.4

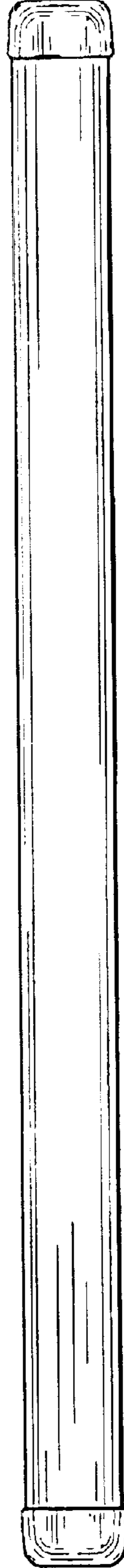


Fig.5

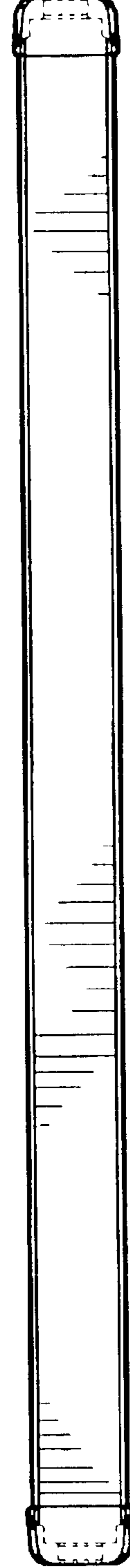


Fig.6

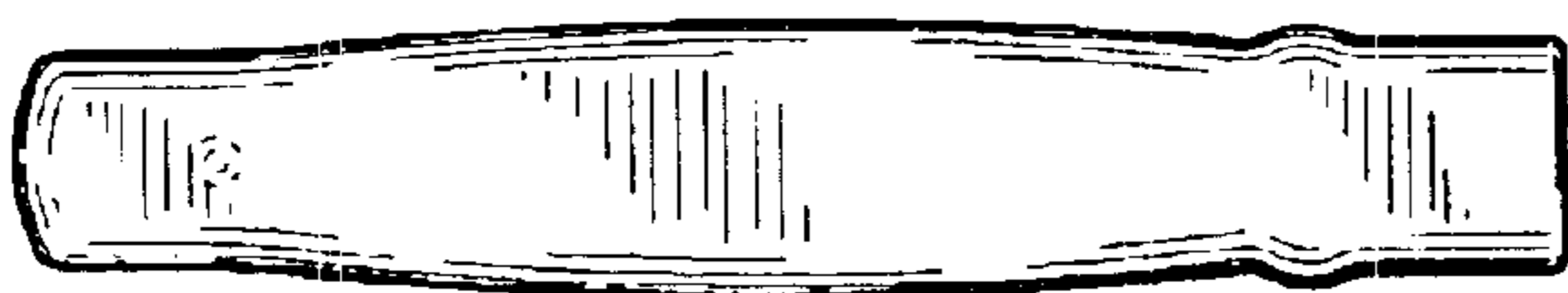


Fig.3

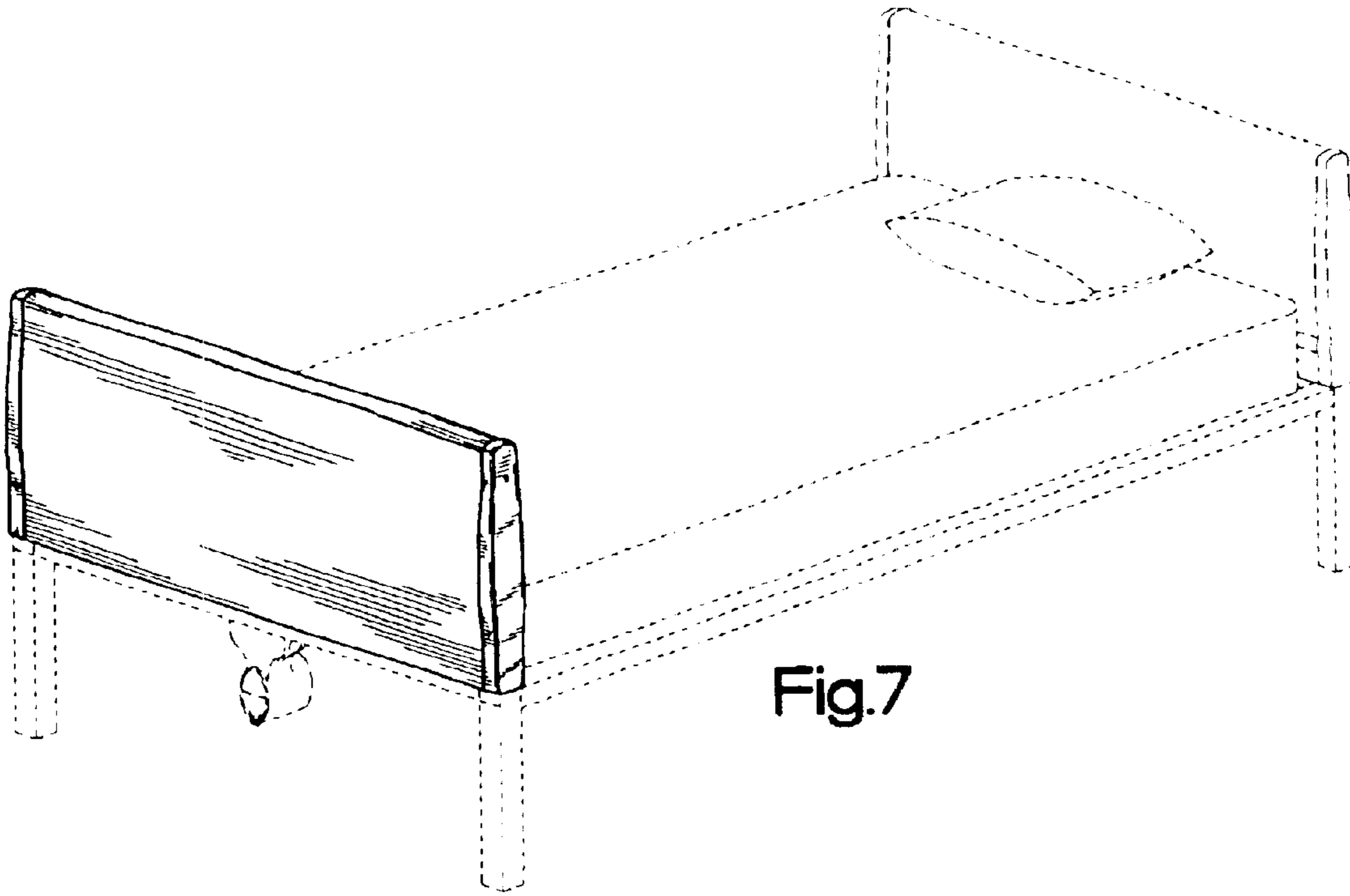


Fig.7

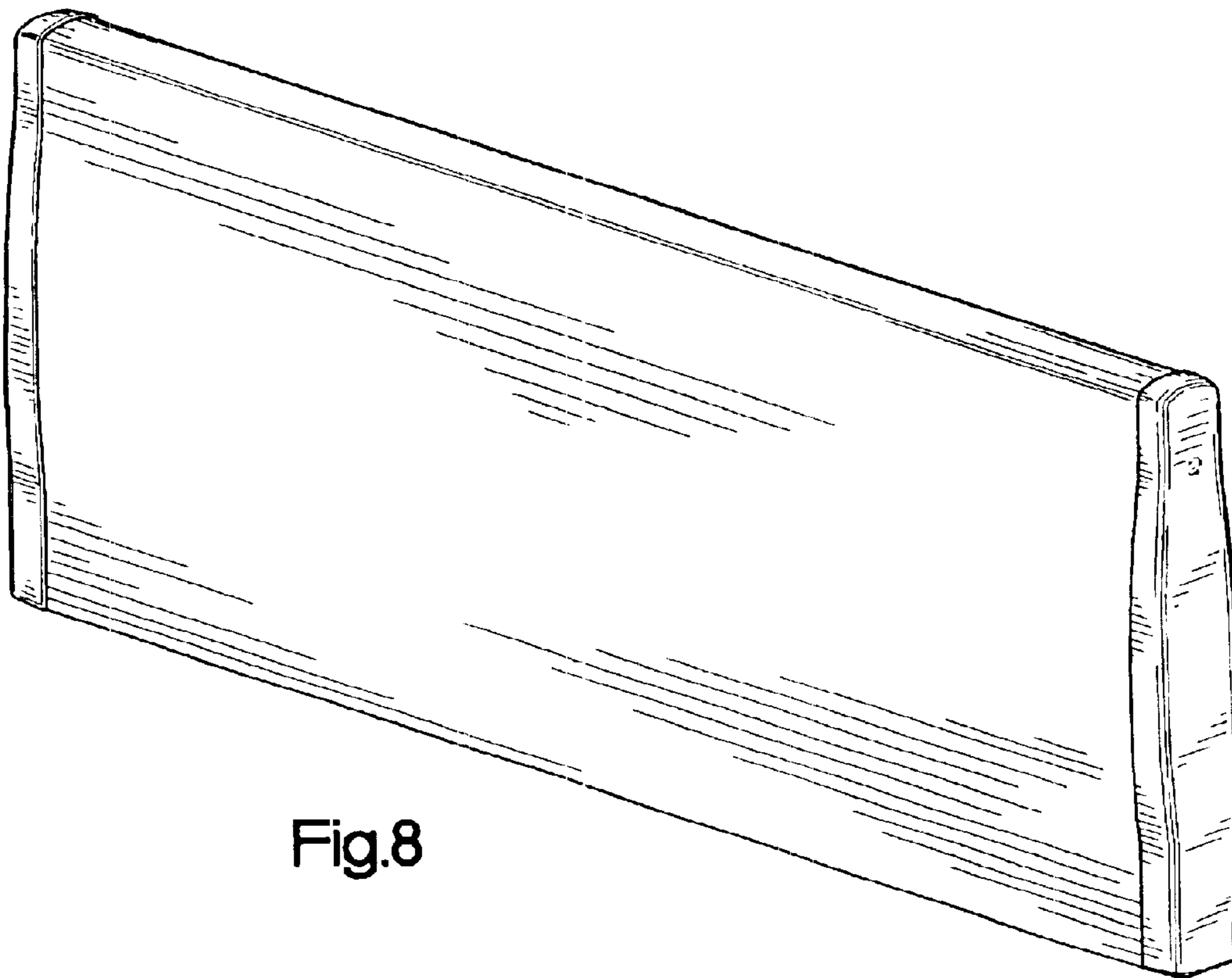


Fig.8

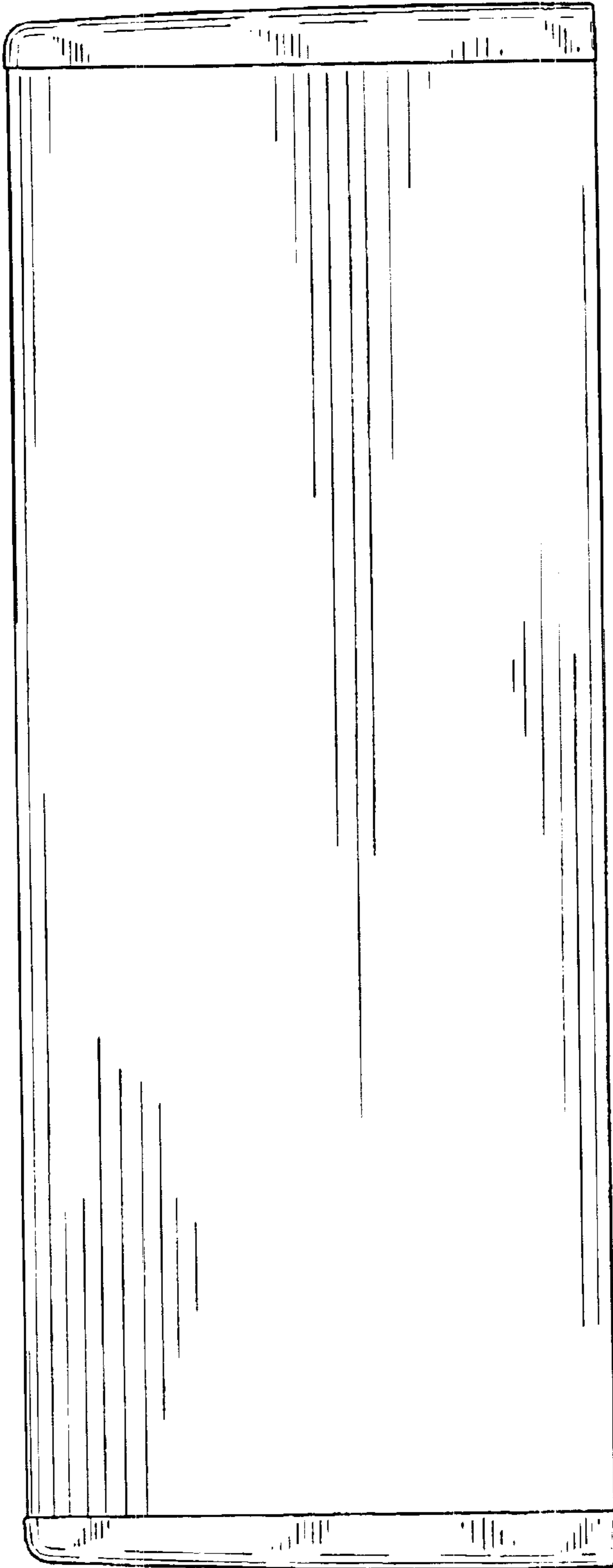


Fig.9



Fig.10

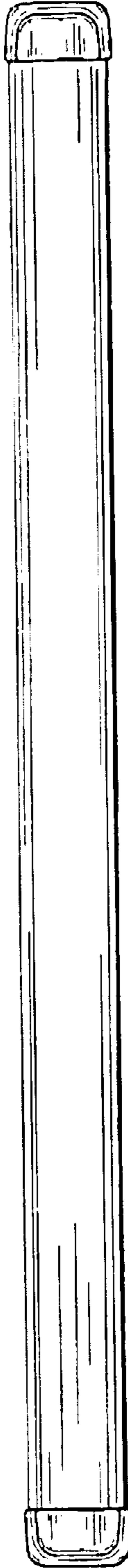


Fig.11

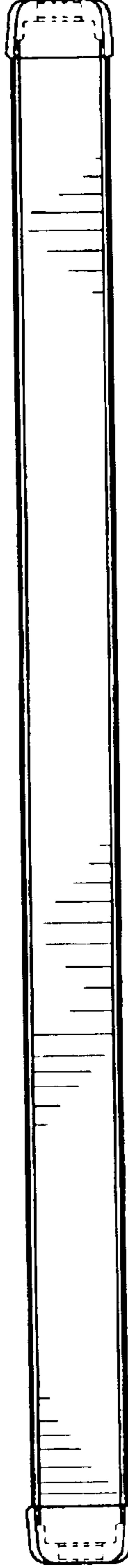


Fig.12

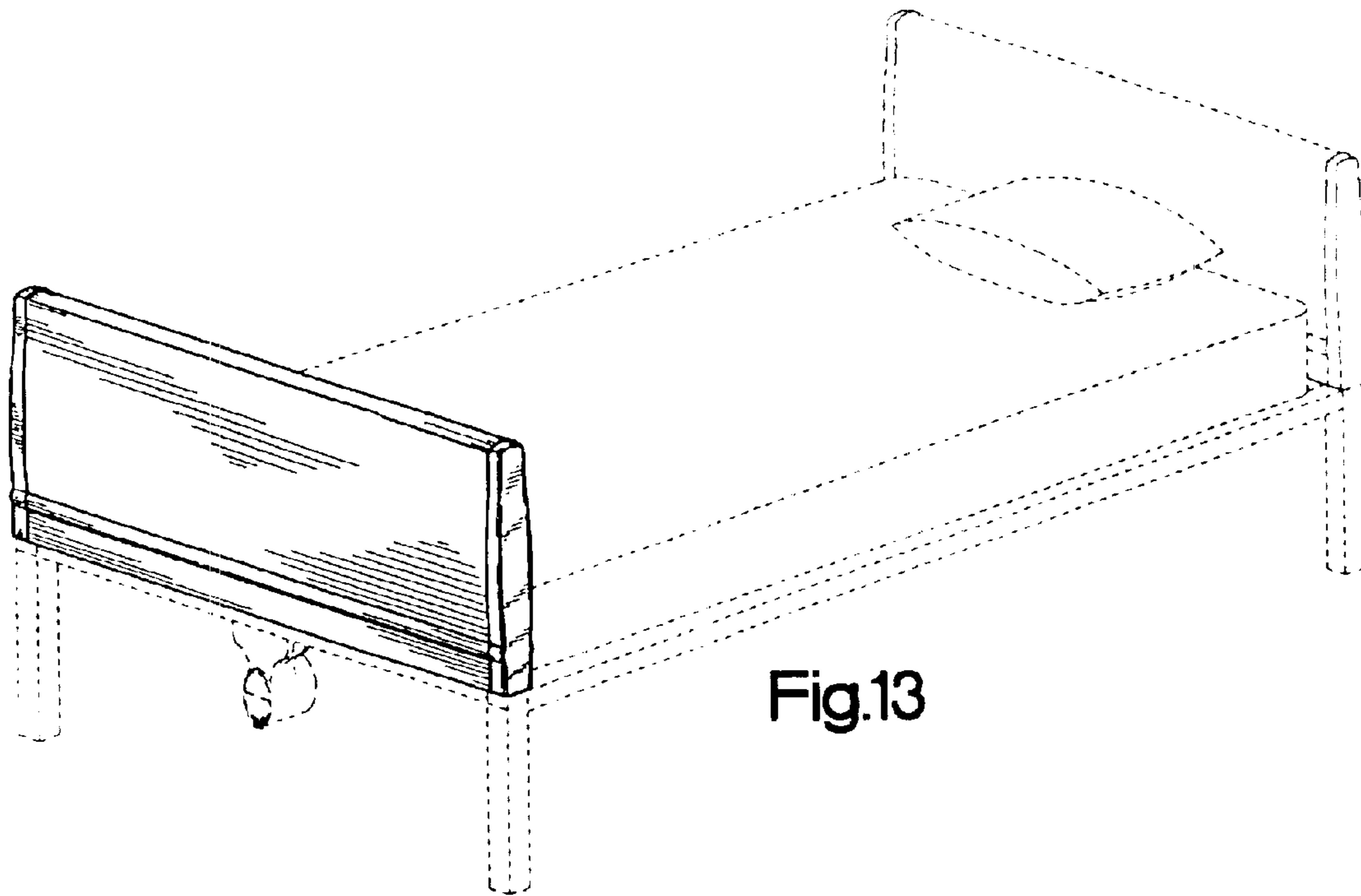


Fig.13

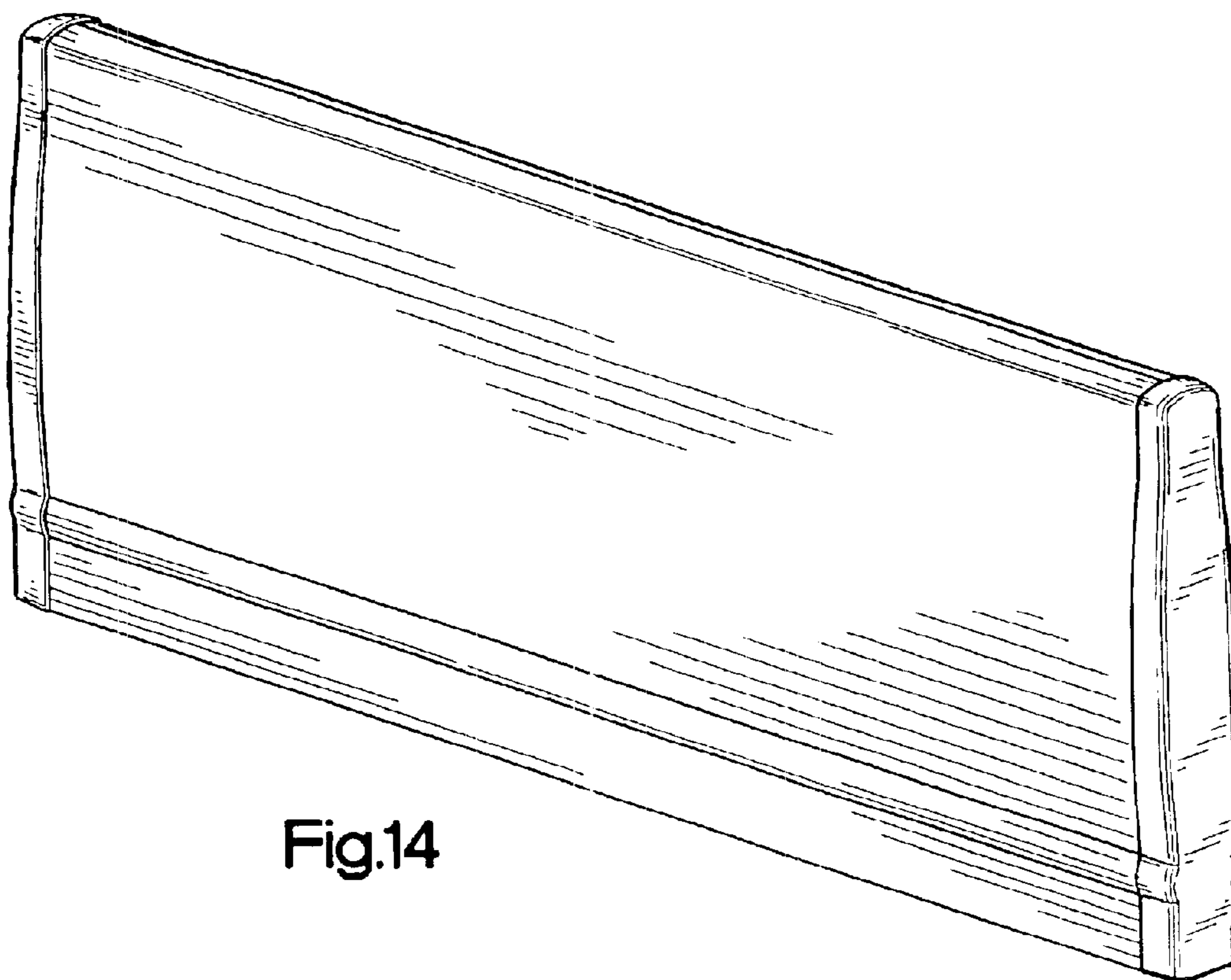


Fig.14

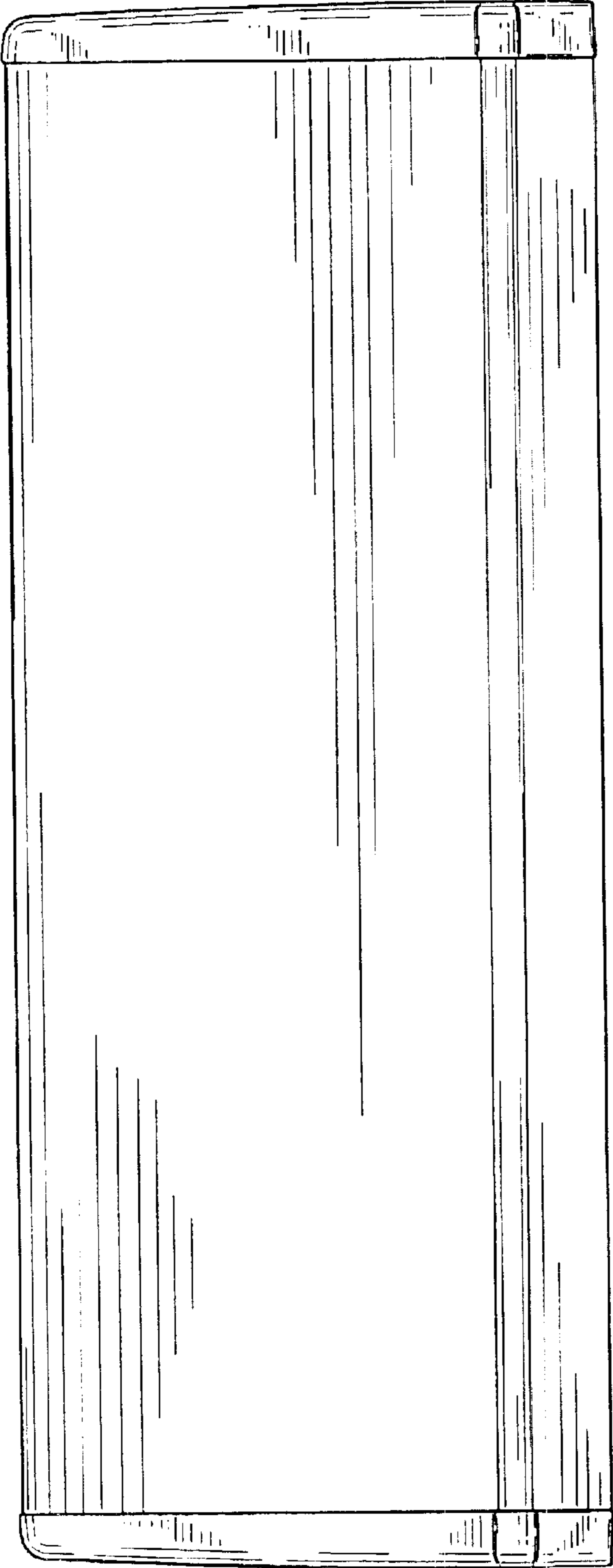


Fig.16



Fig.15

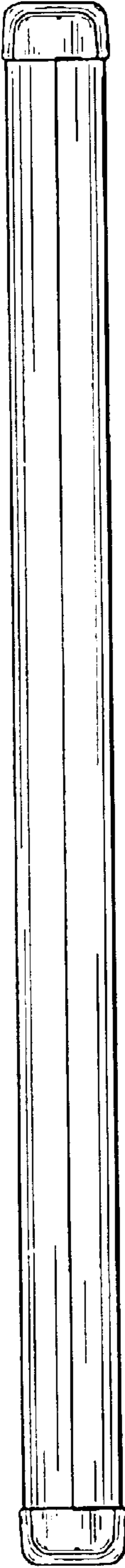


Fig.17

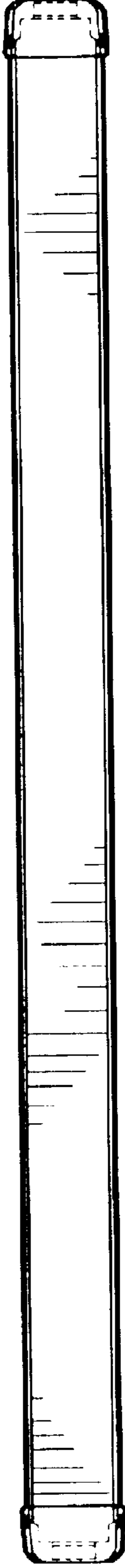


Fig.18